



US00D669828S

(12) **United States Design Patent**
Liu et al.

(10) **Patent No.:** **US D669,828 S**
(45) **Date of Patent:** **** Oct. 30, 2012**

(54) **BRAKE FRICTION PAD**

(75) Inventors: **Weiming Liu**, Windsor (CA); **Rodney G. Silvey**, Cookeville, TN (US); **Jason Heath Mahan**, Lafayette, TN (US)

(73) Assignee: **Federal-Mogul World Wide, Inc.**, Southfield, MI (US)

(**) Term: **14 Years**

(21) Appl. No.: **29/417,882**

(22) Filed: **Apr. 10, 2012**

Related U.S. Application Data

(62) Division of application No. 29/357,126, filed on Mar. 8, 2010, now Pat. No. Des. 660,206, which is a division of application No. 29/350,449, filed on Nov. 17, 2009, now Pat. No. Des. 615,010, which is a division of application No. 29/336,172, filed on Apr. 29, 2009, now Pat. No. Des. 608,704, which is a division of application No. 29/332,365, filed on Feb. 13, 2009, now Pat. No. Des. 598,343, which is a division of application No. 29/282,909, filed on Aug. 1, 2007, now Pat. No. Des. 589,419.

(51) **LOC (9) Cl.** **12-16**

(52) **U.S. Cl.** **D12/180**

(58) **Field of Classification Search** D12/180, D12/174, 400; D15/138-140; 72/339; 188/73.31-73.39, 73.43, 73.45, 218 XL, 188/73.1, 250 B, 250 E, 250 R, 251 R; 192/107 M, 192/107 R; 428/443; 488/1.11 W, 1.11 R
See application file for complete search history.

(56) **References Cited**

U.S. PATENT DOCUMENTS

4,056,174 A * 11/1977 Wienand et al. 188/73.36
4,290,508 A * 9/1981 Baum 188/73.38

4,823,920 A * 4/1989 Evans 188/73.34
6,481,544 B2 * 11/2002 Brecht et al. 188/250 E
D588,968 S * 3/2009 Liu et al. D12/180
D588,969 S * 3/2009 Liu et al. D12/180
D588,974 S * 3/2009 Liu et al. D12/180
D596,092 S * 7/2009 Liu et al. D12/180
D597,900 S * 8/2009 Liu et al. D12/180
D597,901 S * 8/2009 Liu et al. D12/180
D597,906 S * 8/2009 Liu et al. D12/180
D597,907 S * 8/2009 Liu et al. D12/180
D598,343 S * 8/2009 Liu et al. D12/180
D598,344 S * 8/2009 Liu et al. D12/180
D599,723 S * 9/2009 Liu et al. D12/180
D602,825 S * 10/2009 Liu et al. D12/180
D604,214 S * 11/2009 Liu et al. D12/180
D608,708 S * 1/2010 Liu et al. D12/180
D610,508 S * 2/2010 Liu et al. D12/180
D618,601 S * 6/2010 Liu et al. D12/180
D622,646 S * 8/2010 Arbesman et al. D12/180
D626,043 S * 10/2010 Liu et al. D12/180

* cited by examiner

Primary Examiner — Cynthia Underwood

(74) *Attorney, Agent, or Firm* — Robert L. Stearns; Dickinson Wright, PLLC

(57) **CLAIM**

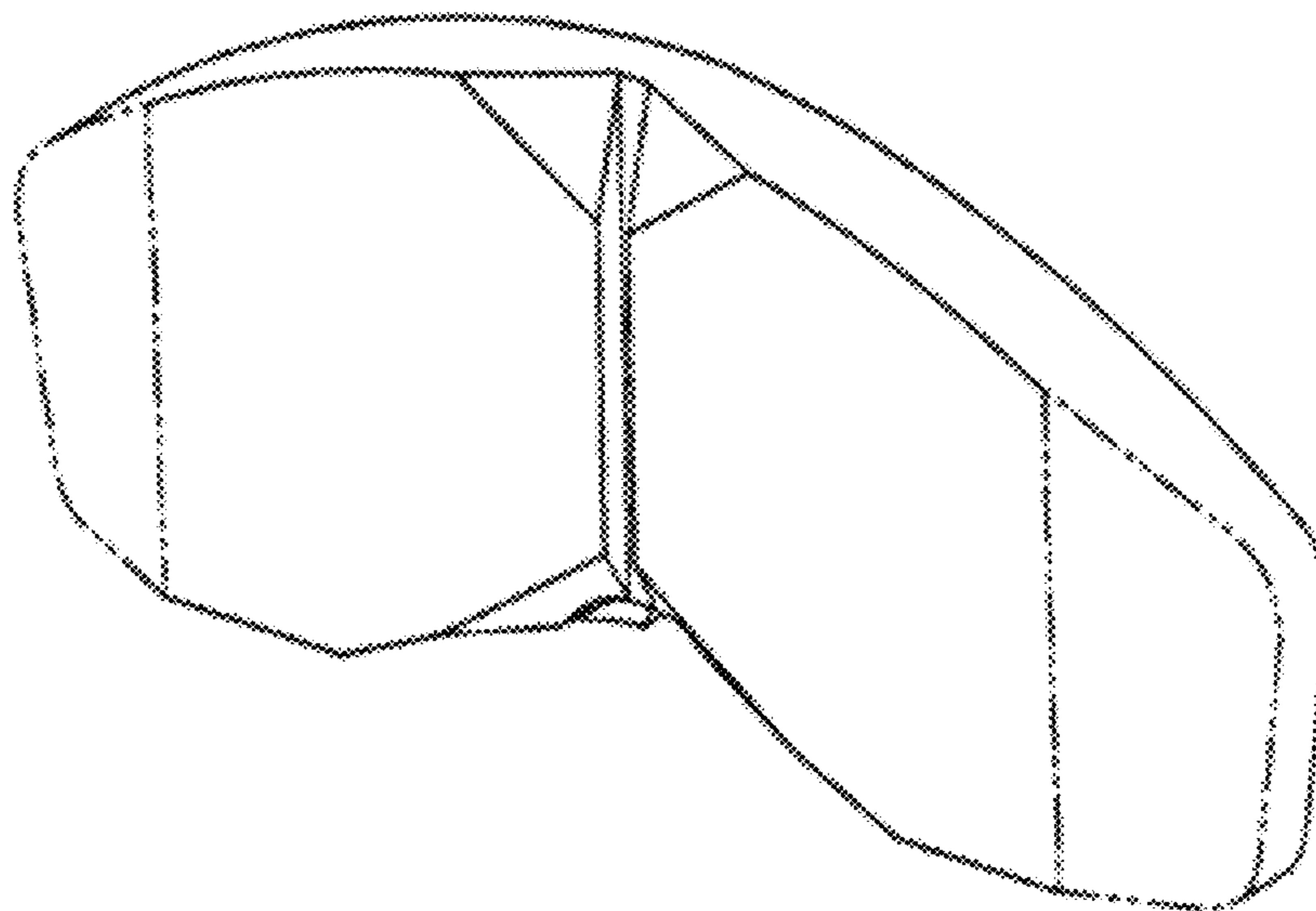
The ornamental design of a brake friction pad, as shown and described.

DESCRIPTION

FIG. 1 is a perspective view of a brake friction pad; FIG. 2 is a front view thereof; FIG. 3 is a top view thereof; FIG. 4 is a bottom view thereof; and, FIG. 5 is a right side elevational view thereof, the left side elevational view being a mirror image of the right side elevational view.

The broken phantom lines depict unclaimed subject matter only and form no part of the claimed design.

1 Claim, 2 Drawing Sheets



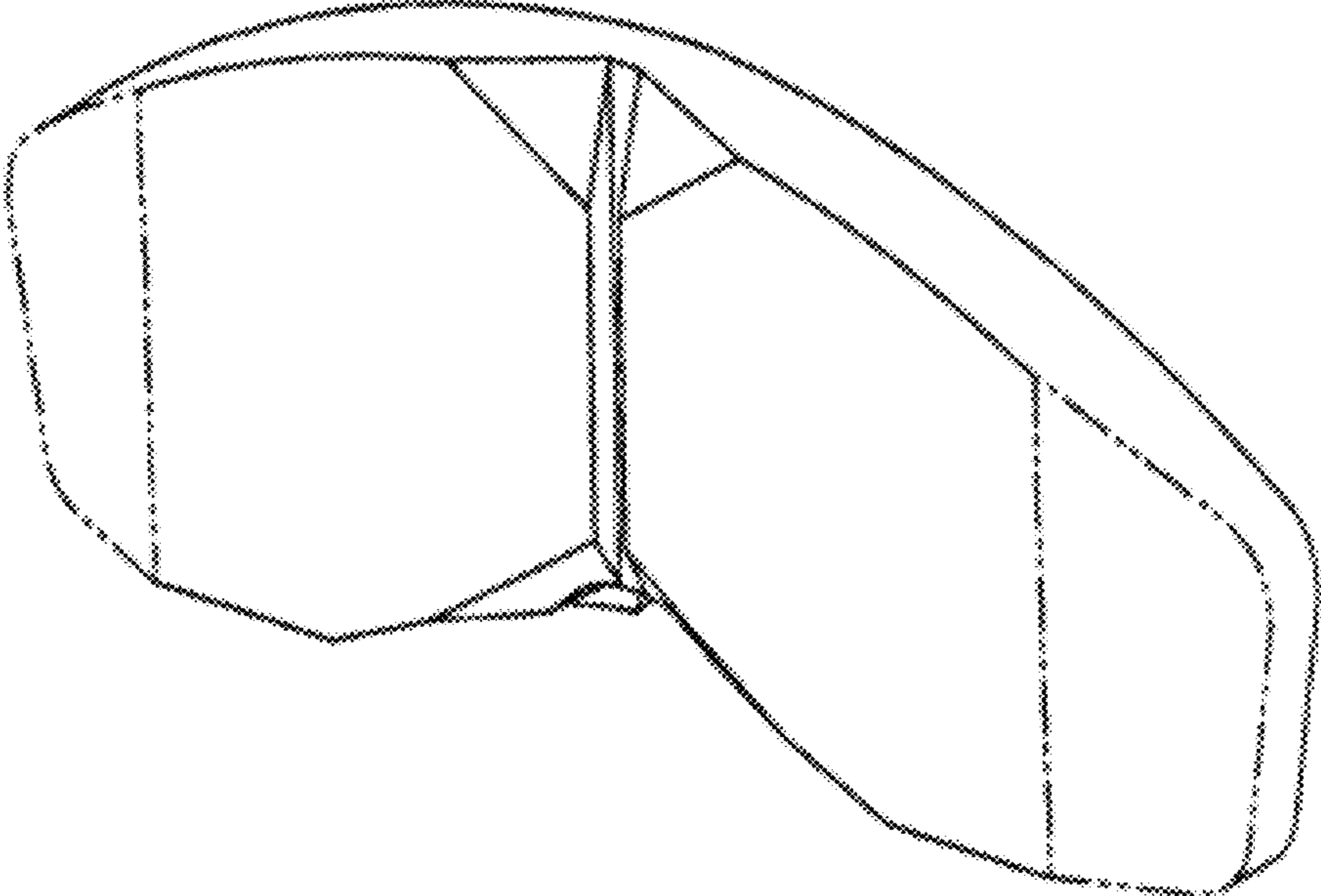


Fig. 1

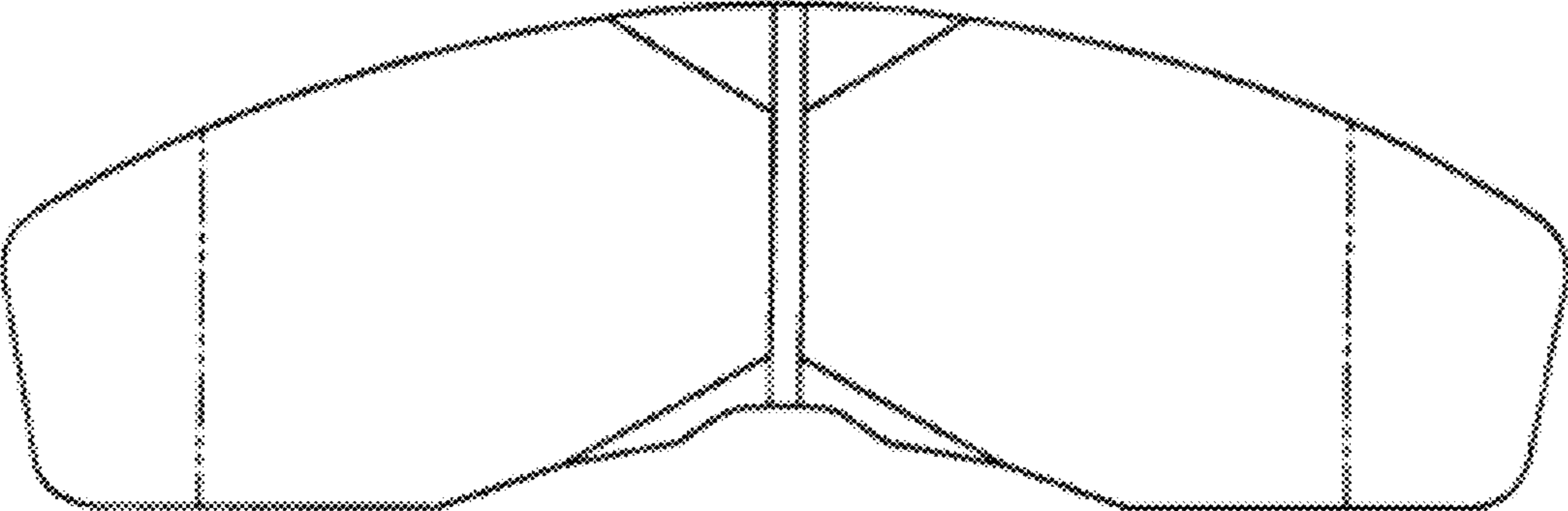


Fig. 2



Fig. 3



Fig. 4



Fig. 5