



US00D669826S

(12) **United States Design Patent**
Svensson et al.

(10) **Patent No.:** **US D669,826 S**
(45) **Date of Patent:** **** Oct. 30, 2012**

(54) **VEHICLE REAR LEFT/RIGHT BUMPER COVER**

Primary Examiner — Melody N Brown

(74) *Attorney, Agent, or Firm* — Damian Porcari

(75) Inventors: **Christopher Svensson**, Chelmsford (GB); **Paul Campbell**, South Benfleet (GB); **Paul Wraith**, Colchester (GB)

(73) Assignee: **Ford Global Technologies, LLC**, Dearborn, MI (US)

(57) **CLAIM**

The ornamental design for a vehicle rear left/right bumper cover, as shown and described.

(**) Term: **14 Years**

(21) Appl. No.: **29/404,399**

DESCRIPTION

(22) Filed: **Oct. 20, 2011**

(51) **LOC (9) Cl.** **12-16**

(52) **U.S. Cl.** **D12/169**

(58) **Field of Classification Search** D12/169, D12/196, 171, 216, 163, 86, 90-92; 293/102, 293/113, 115, 117, 120; 296/180.1, 180.2
See application file for complete search history.

FIG. 1 is a left side elevational view of a left vehicle rear left/right bumper cover (the right vehicle rear left/right bumper cover being a mirror image and is not shown);
FIG. 2 is a right side elevational view of the vehicle rear left/right bumper cover;
FIG. 3 is a front elevational view of the vehicle rear left/right bumper cover;
FIG. 4 is a rear elevational view of the vehicle rear left/right bumper cover;
FIG. 5 is a top plan view of the vehicle rear left/right bumper cover;
FIG. 6 is a bottom plan view of the vehicle rear left/right bumper cover;
FIG. 7 is a perspective view of the vehicle rear left/right bumper cover; and,
FIG. 8 is another perspective view of the vehicle rear left/right bumper cover.

(56) **References Cited**

U.S. PATENT DOCUMENTS

D564,423	S	*	3/2008	Spearman-Oxx et al. ...	D12/169
D567,725	S		4/2008	Spearman-Oxx	
D567,726	S		4/2008	Spearman-Oxx	
D580,317	S	*	11/2008	Gueler et al.	D12/169
D621,752	S	*	8/2010	Angelo et al.	D12/169
D637,122	S	*	5/2011	Lamm et al.	D12/169
D644,577	S	*	9/2011	Messale	D12/169
D653,999	S	*	2/2012	Peltola et al.	D12/169

* cited by examiner

1 Claim, 8 Drawing Sheets

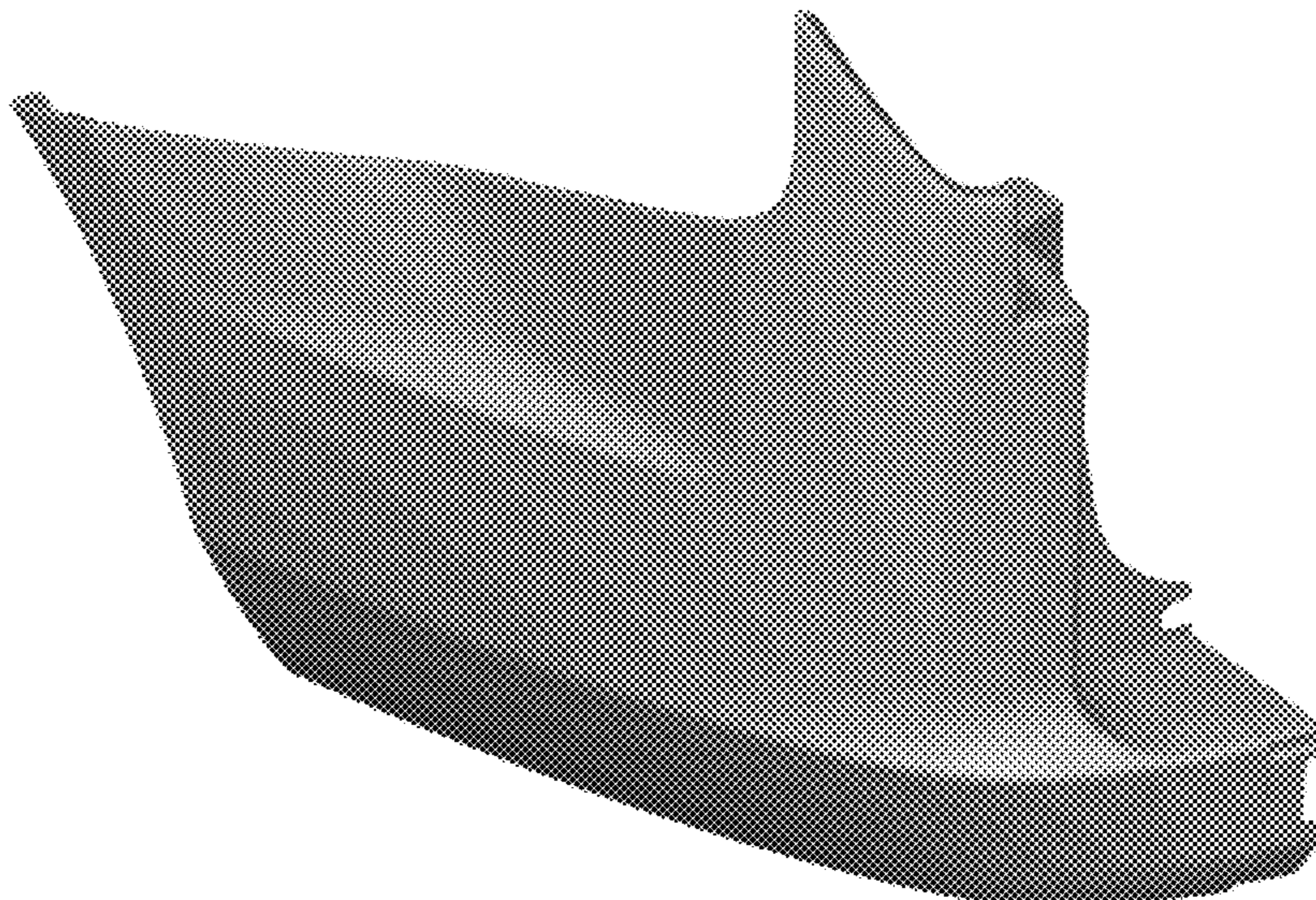
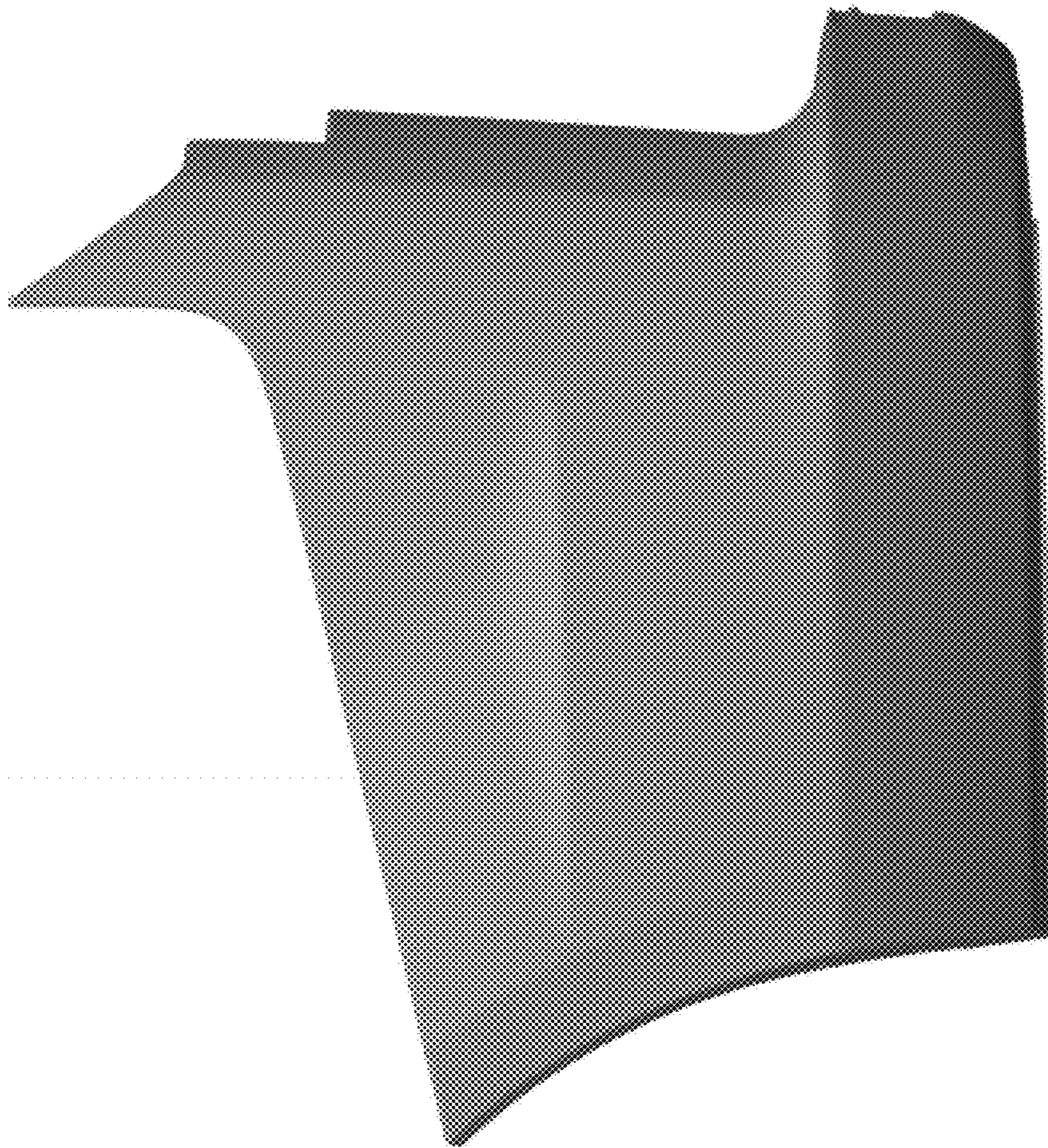


Figure 1



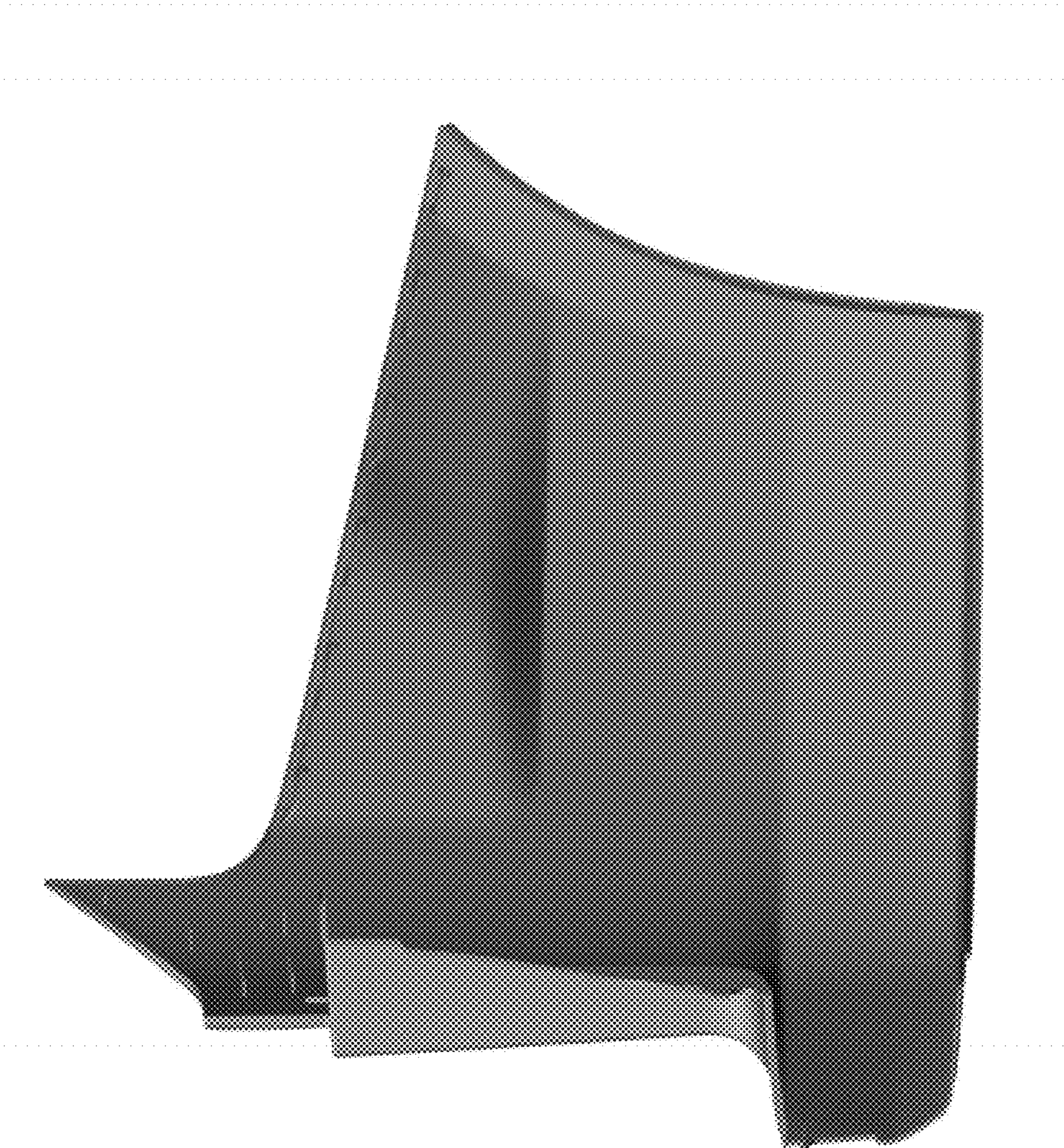


Figure 2

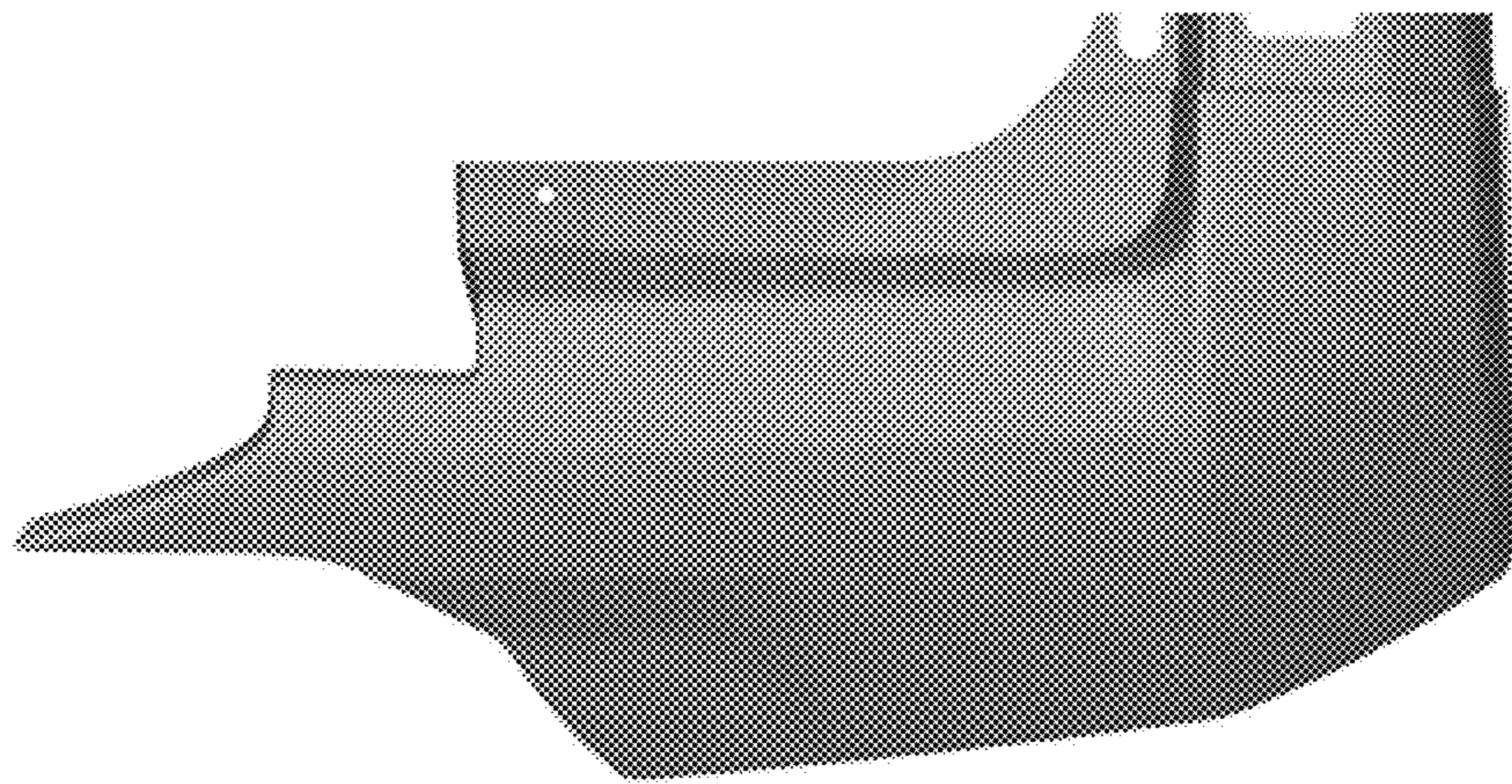
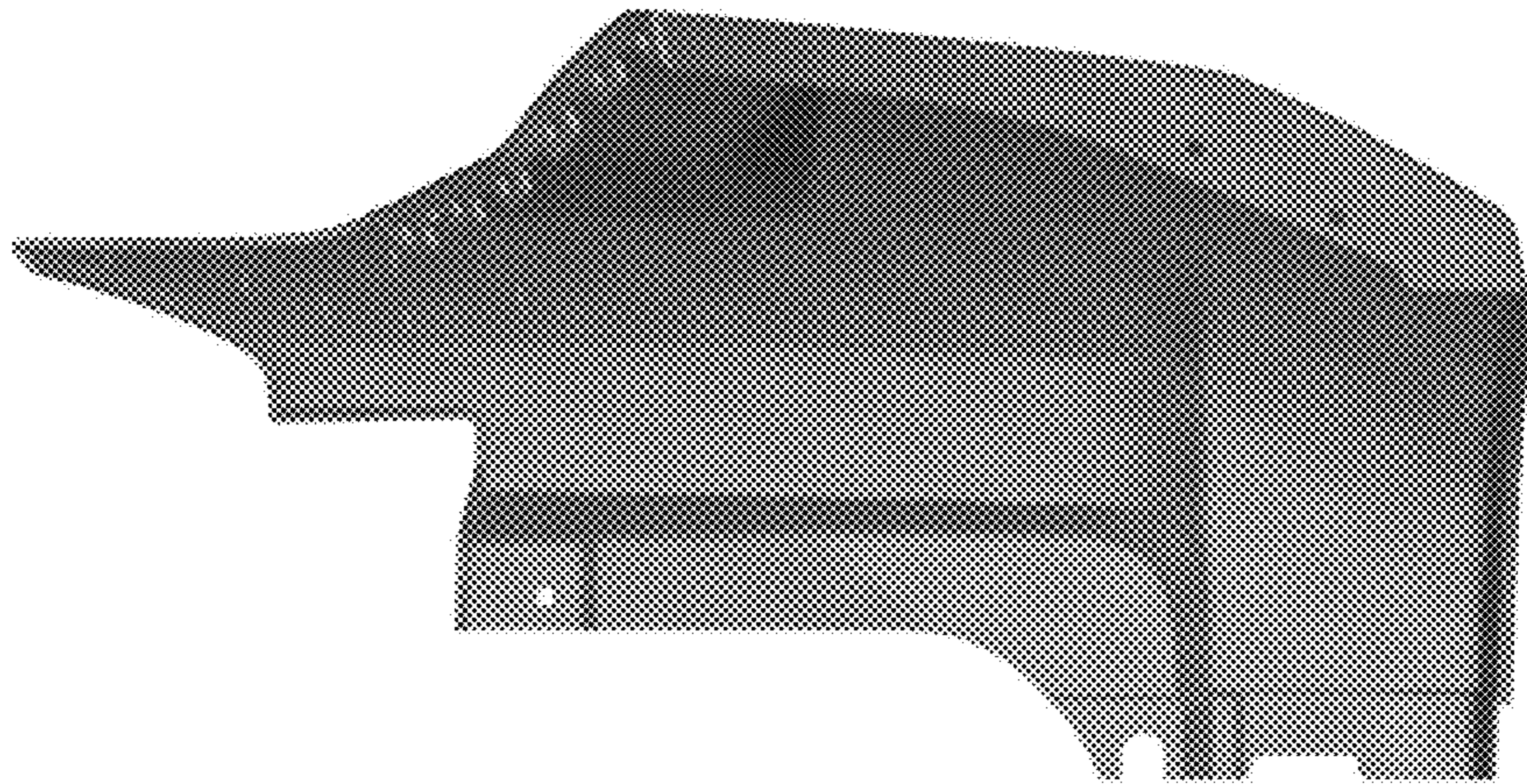


Figure 3

Figure 4



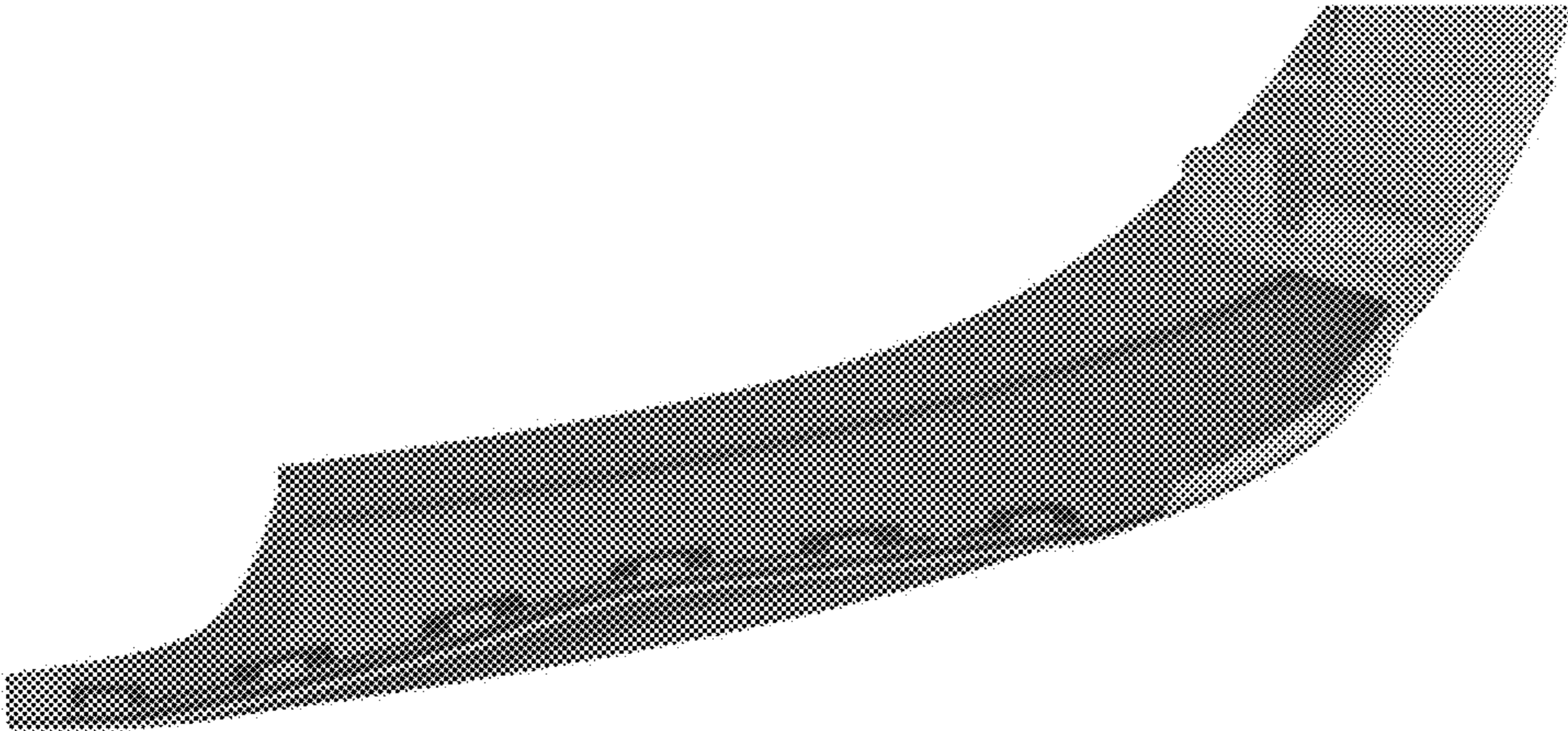


Figure 5

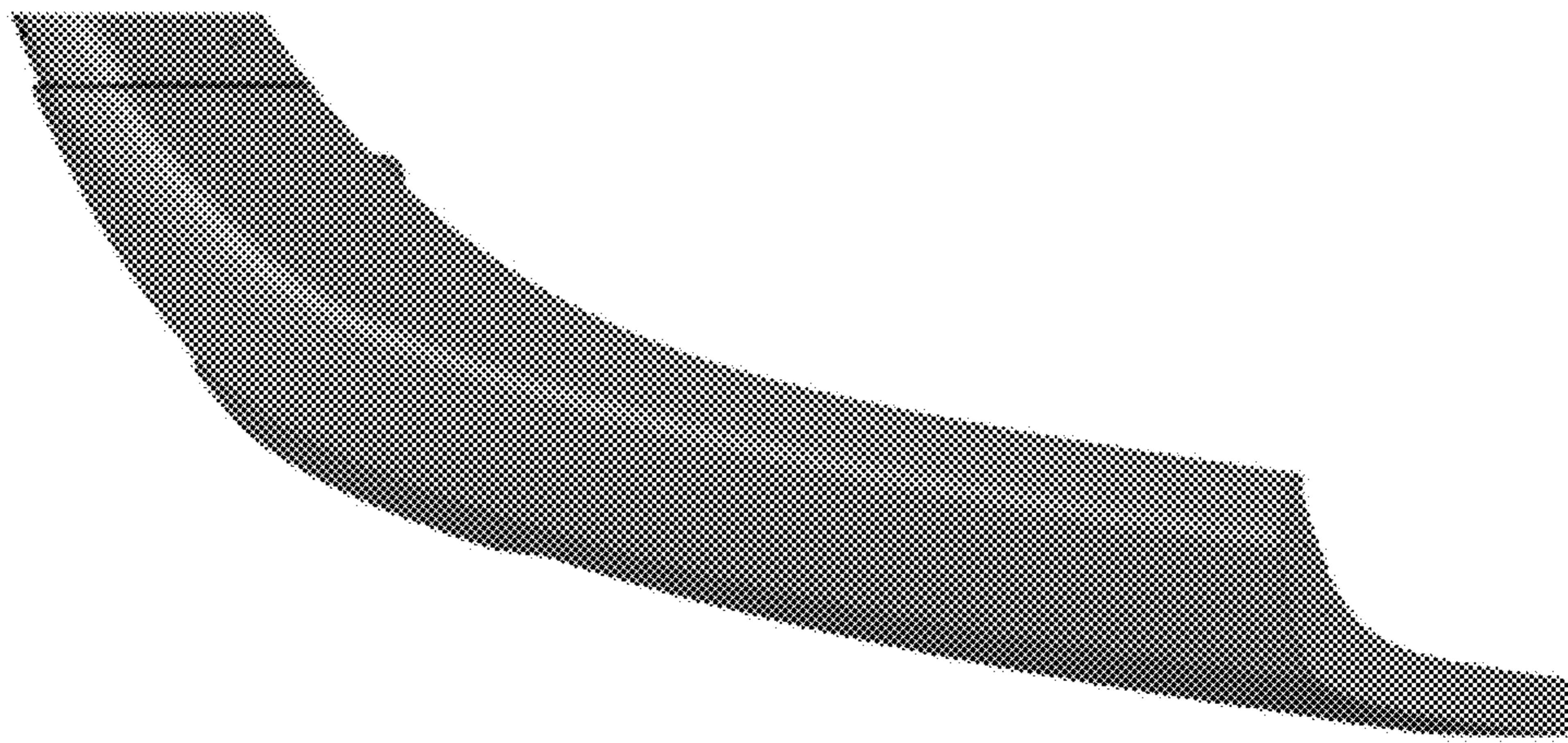


Figure 6

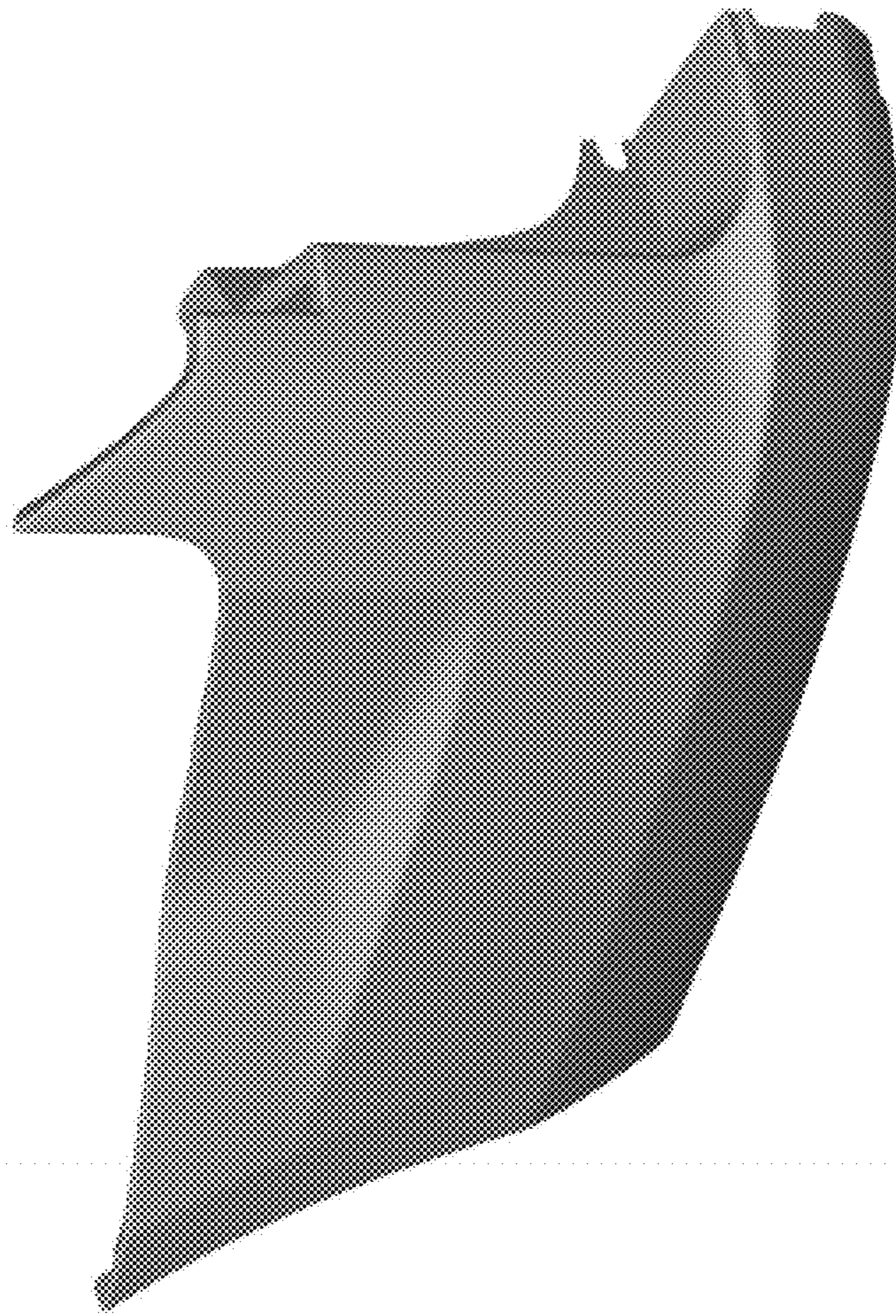


Figure 7

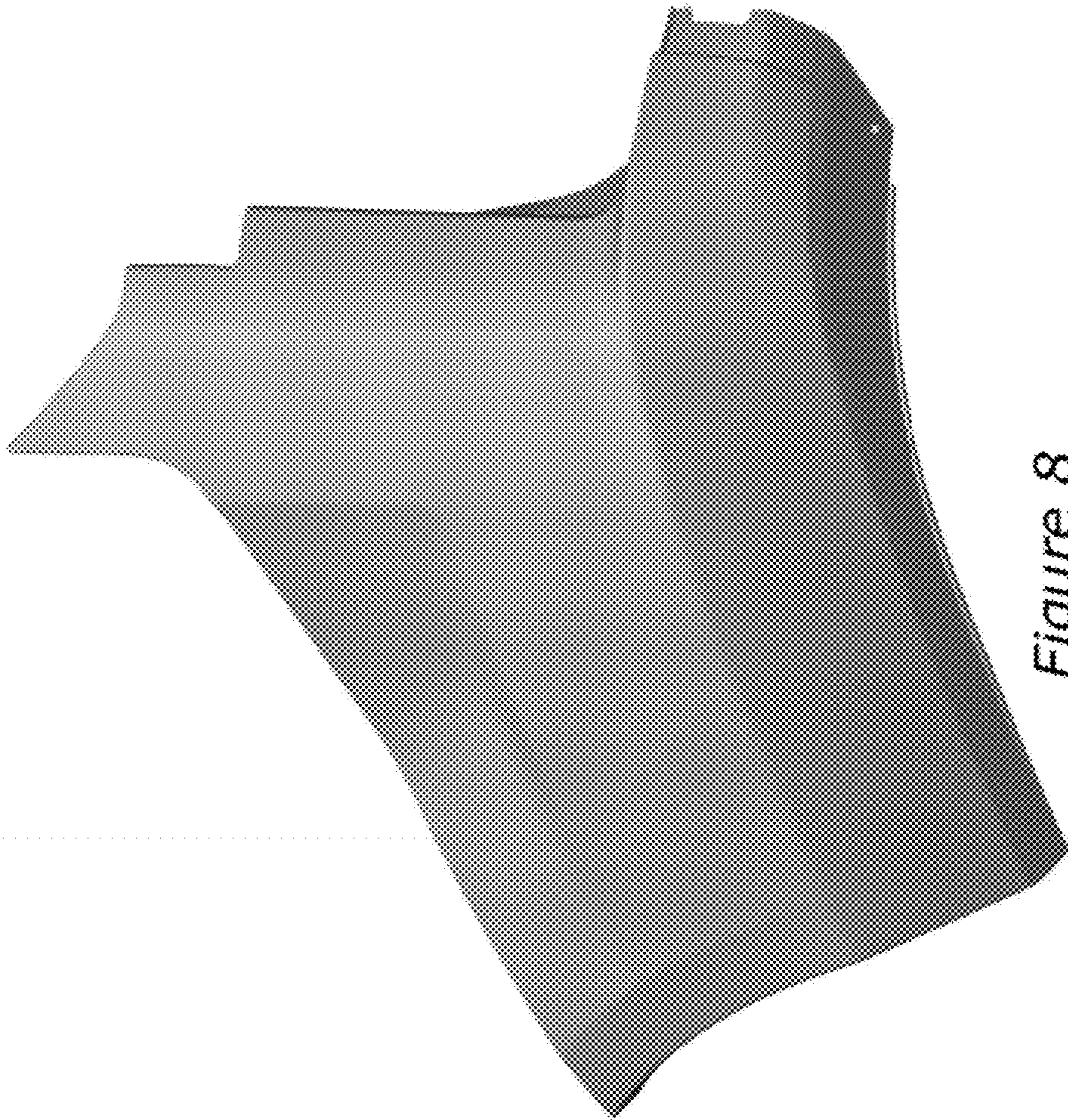


Figure 8