

US00D669825S

(12) **United States Design Patent**
Cordes

(10) **Patent No.:** **US D669,825 S**
(45) **Date of Patent:** **** Oct. 30, 2012**

(54) **DOCK FENDER**

(76) Inventor: **John A. Cordes**, Glens Falls, NY (US)

(**) Term: **14 Years**

(21) Appl. No.: **29/405,068**

(22) Filed: **Oct. 28, 2011**

Related U.S. Application Data

(63) Continuation of application No. 29/342,527, filed on Aug. 26, 2009, now Pat. No. Des. 649,094.

(51) **LOC (9) Cl.** **12-16**

(52) **U.S. Cl.** **D12/168; D12/317**

(58) **Field of Classification Search** D12/168,
D12/300, 317; 14/76; 114/219, 220; 267/136,
267/139, 140; 405/211, 212, 213, 215, 216;
473/476, 477

See application file for complete search history.

(56) **References Cited**

U.S. PATENT DOCUMENTS

3,109,405	A *	11/1963	Nusinoff	114/219
3,179,397	A *	4/1965	Cleerman et al.	267/140
4,565,147	A *	1/1986	Bortolotti	114/219
4,843,994	A *	7/1989	Wilson et al.	114/219
4,964,760	A *	10/1990	Hartman	405/215
D316,244	S *	4/1991	Kruckenberg	D12/168
D366,005	S *	1/1996	Beyer-Olsen	D10/107
5,524,882	A *	6/1996	Wagner	473/477
5,562,364	A *	10/1996	Darder-Alomar	405/215
2006/0182501	A1 *	8/2006	Griffen	405/212

FOREIGN PATENT DOCUMENTS

GB 2225407 A * 5/1990

* cited by examiner

Primary Examiner — Caron D Veynar

Assistant Examiner — Martie K Holtje

(74) *Attorney, Agent, or Firm* — Tech Valley Patent, LLC;
John Pietrangelo

(57) **CLAIM**

The ornamental design for a dock fender, as shown and described.

DESCRIPTION

FIG. 1 is a front perspective view of a dock fender comprising the new design;

FIG. 2 is a rear perspective view thereof;

FIG. 3 is a top view thereof, the bottom view being a mirror image thereof;

FIG. 4 is a left side elevation view thereof, the right side elevation view being a mirror image thereof;

FIG. 5 is a front elevation view thereof;

FIG. 6 is a rear elevation view thereof;

FIG. 7 is a side elevational view drawn to a reduced scale; and,

FIG. 8 is a front perspective view drawn to a reduced scale.

The broken lines depicting the attachment straps in the figures and the environmental structure in FIGS. 7 and 8 have been shown for illustrative purposes only and form no part of the claimed design.

The rectangular area depicted by broken lines in FIGS. 2, 3, and 6 defines the boundaries of the claimed design.

1 Claim, 3 Drawing Sheets

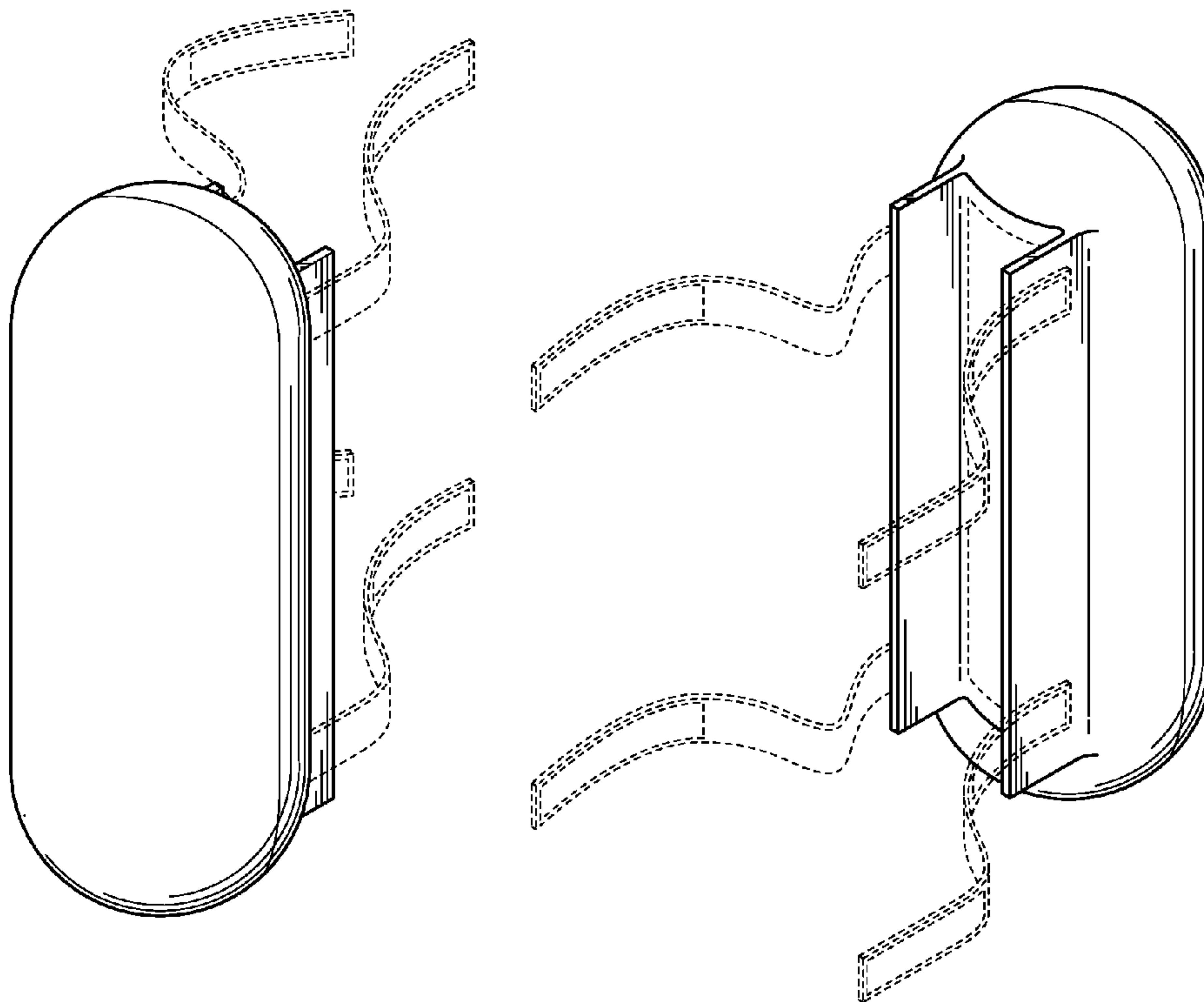


FIG. 1

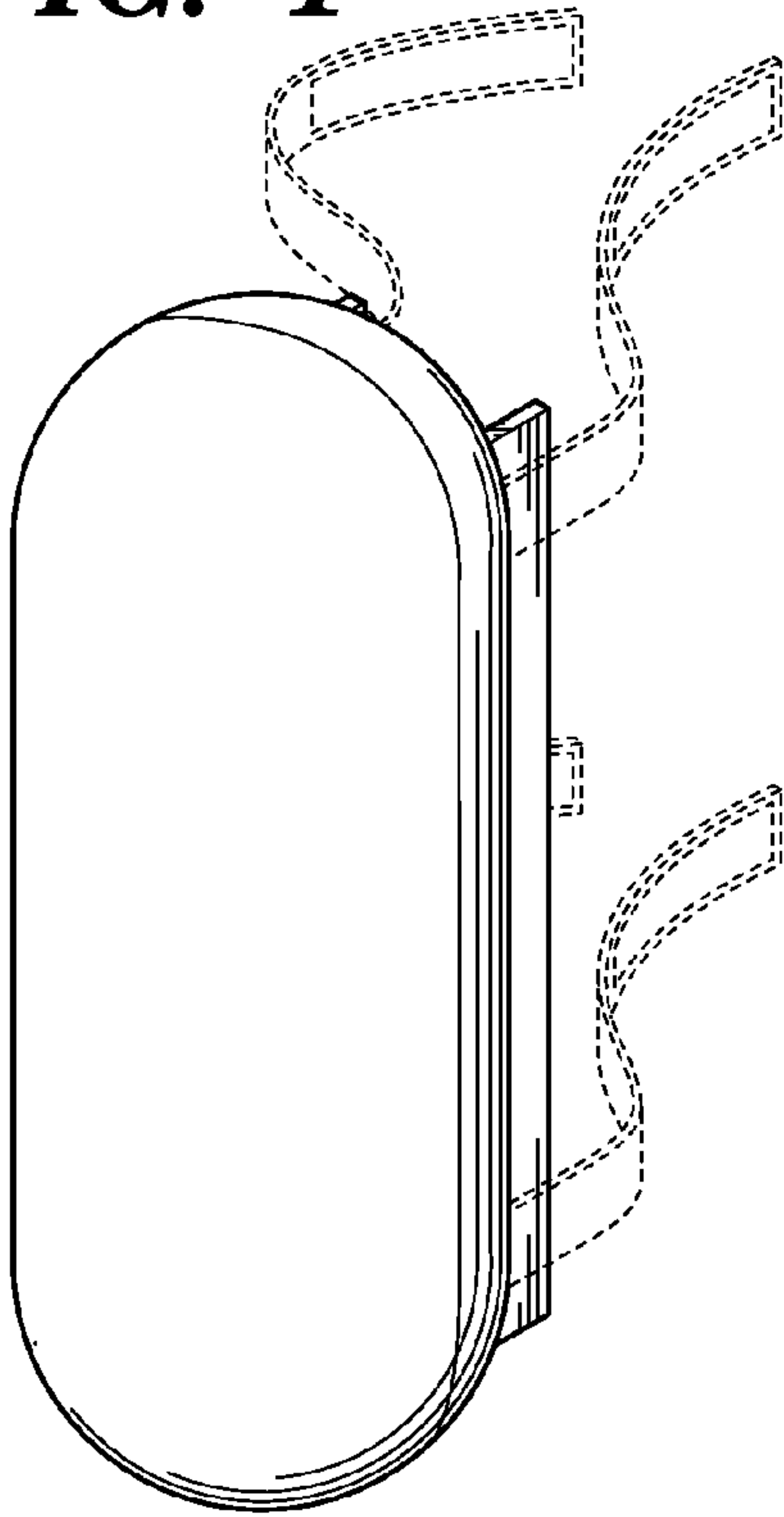


FIG. 2

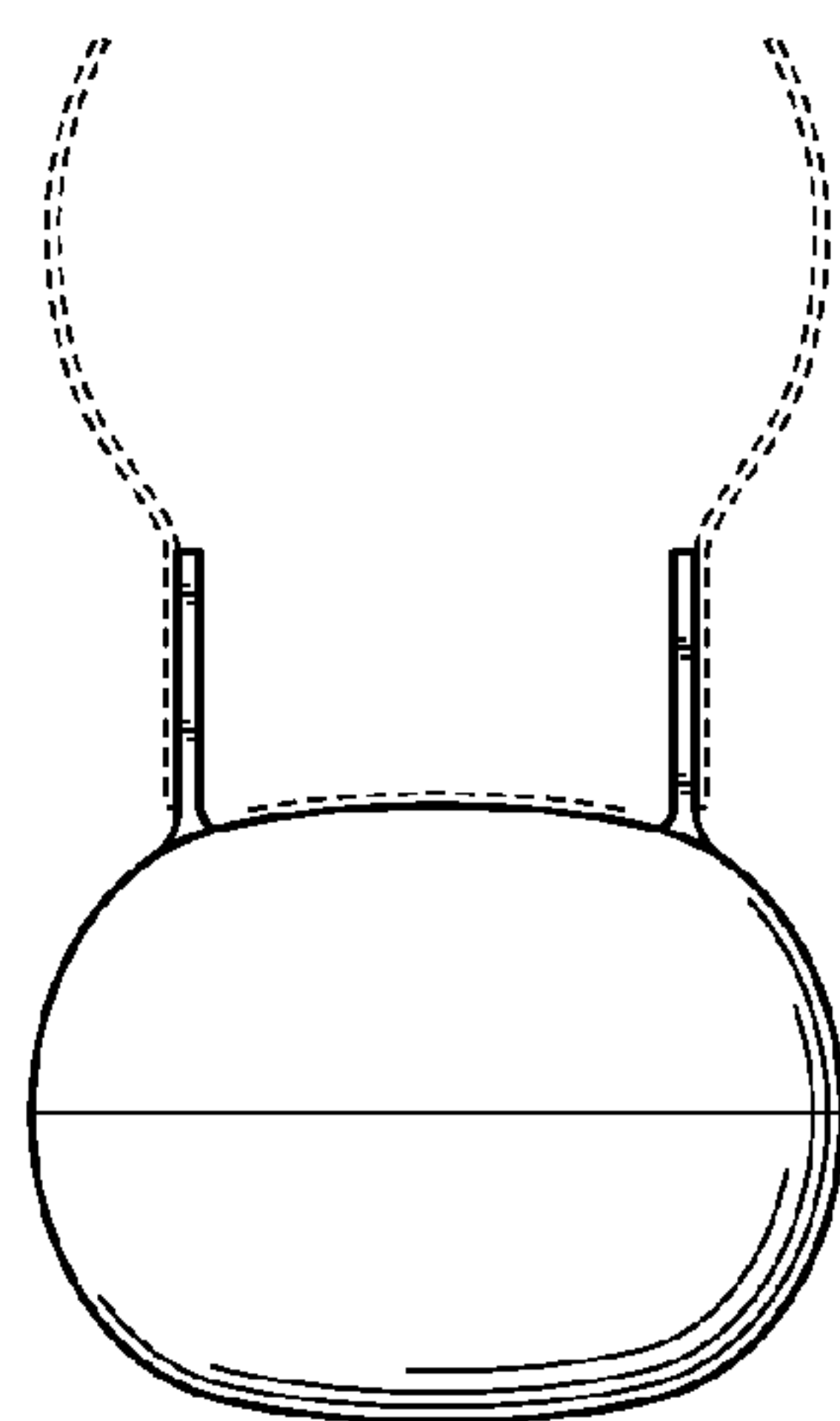
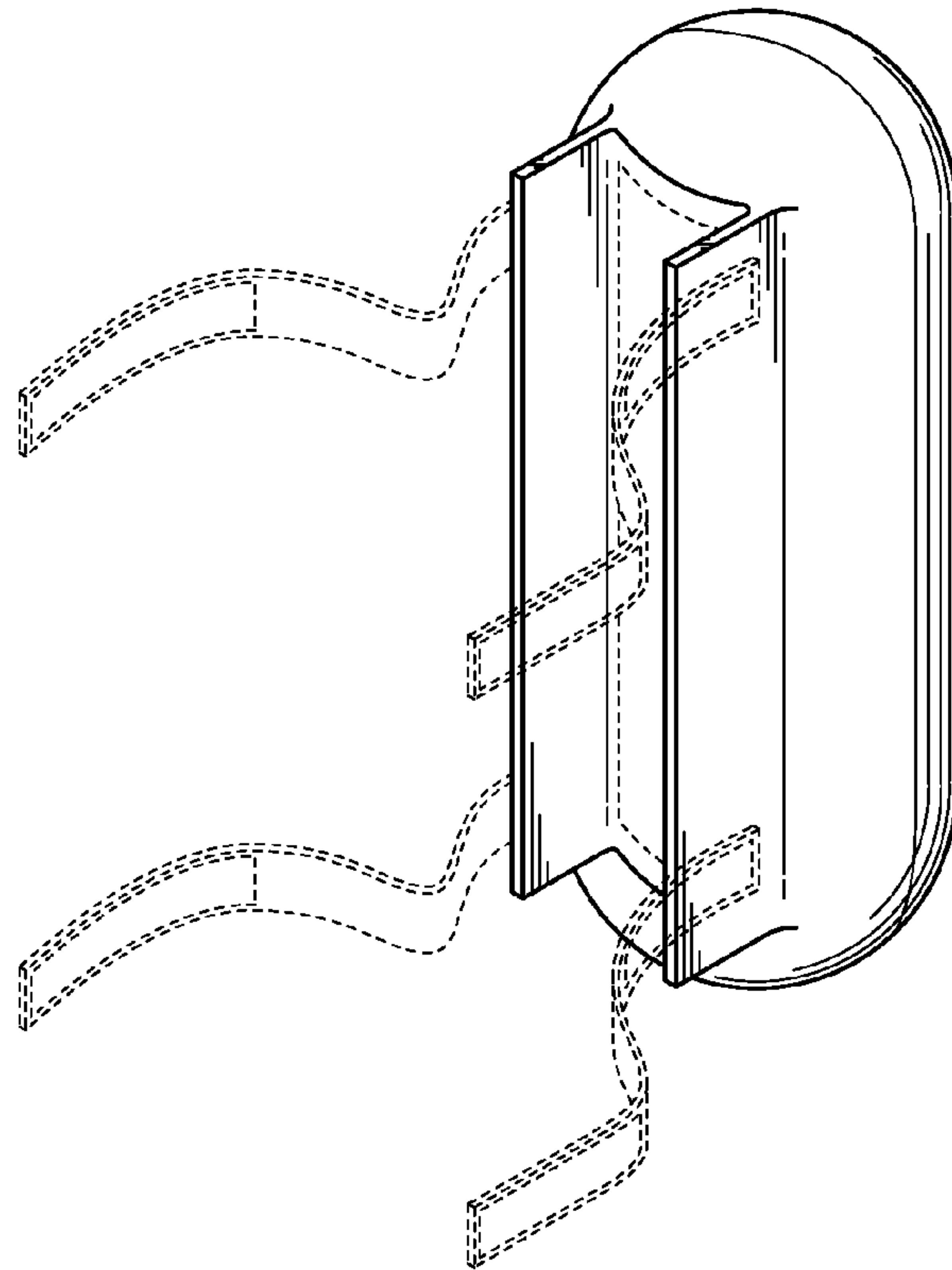


FIG. 3

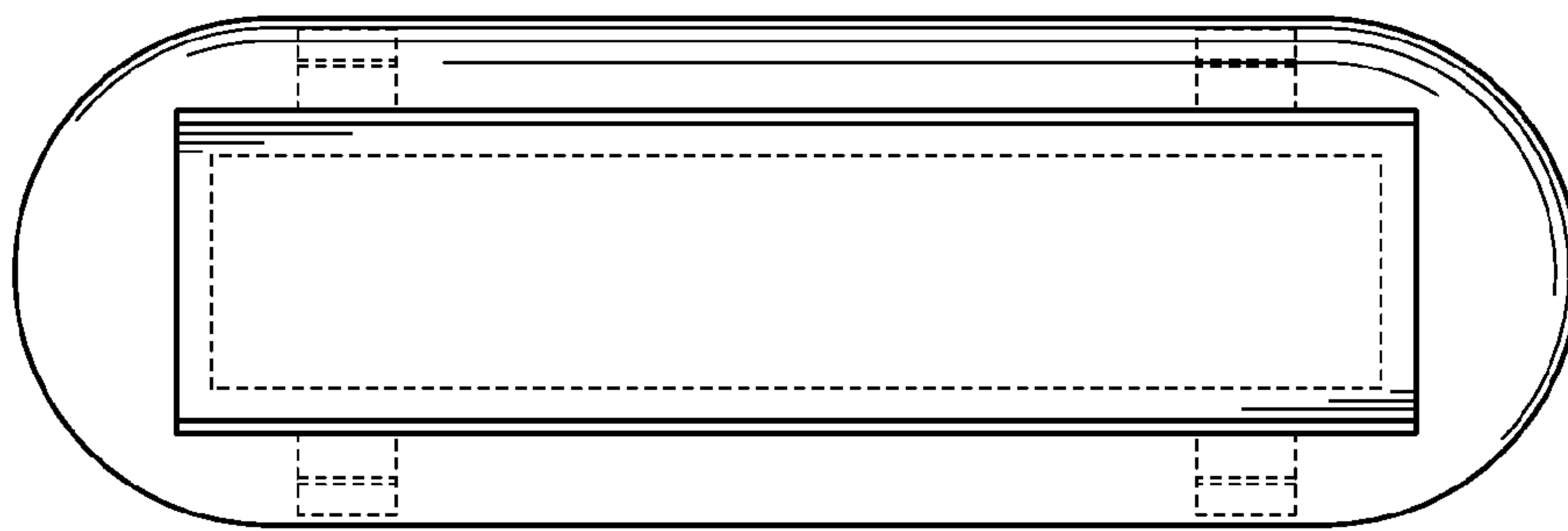


FIG. 6

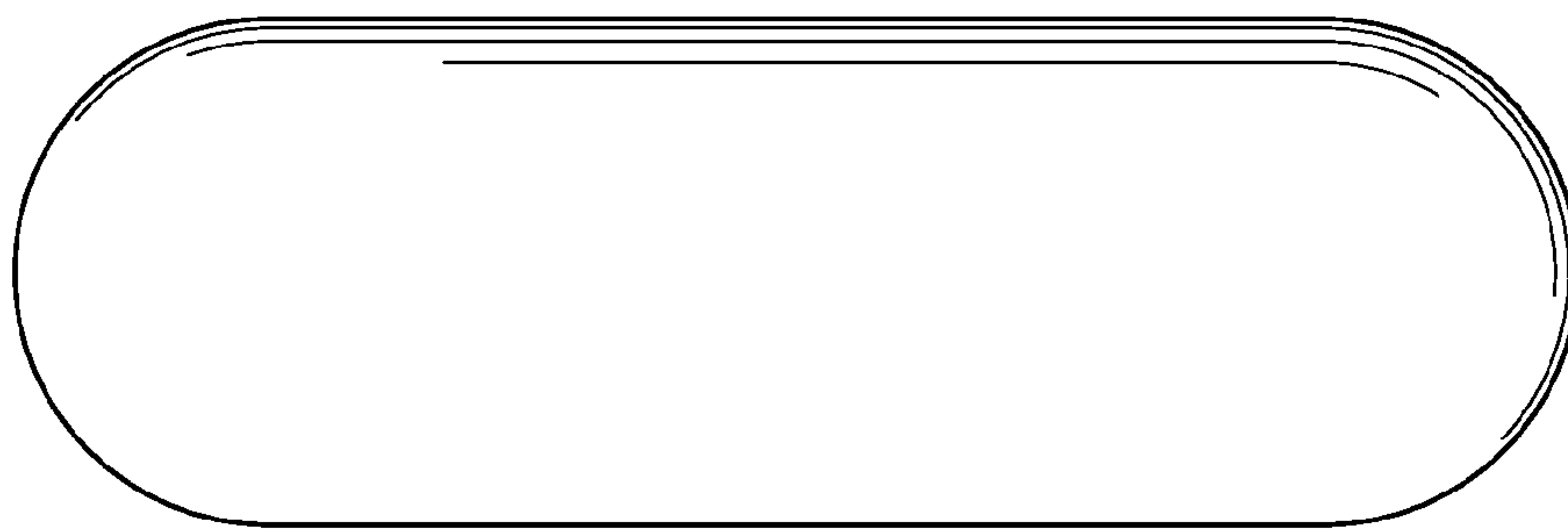


FIG. 5

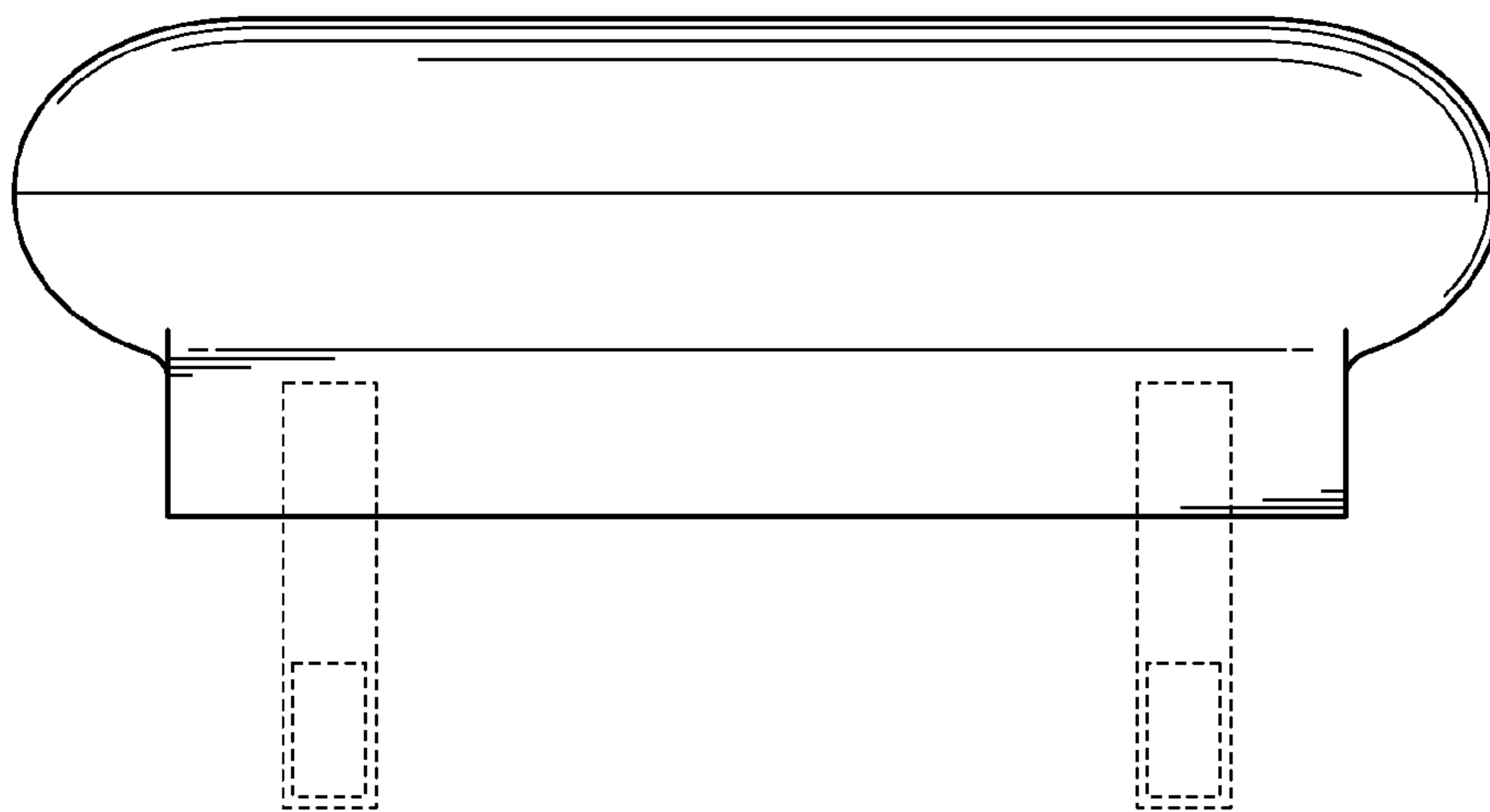


FIG. 4

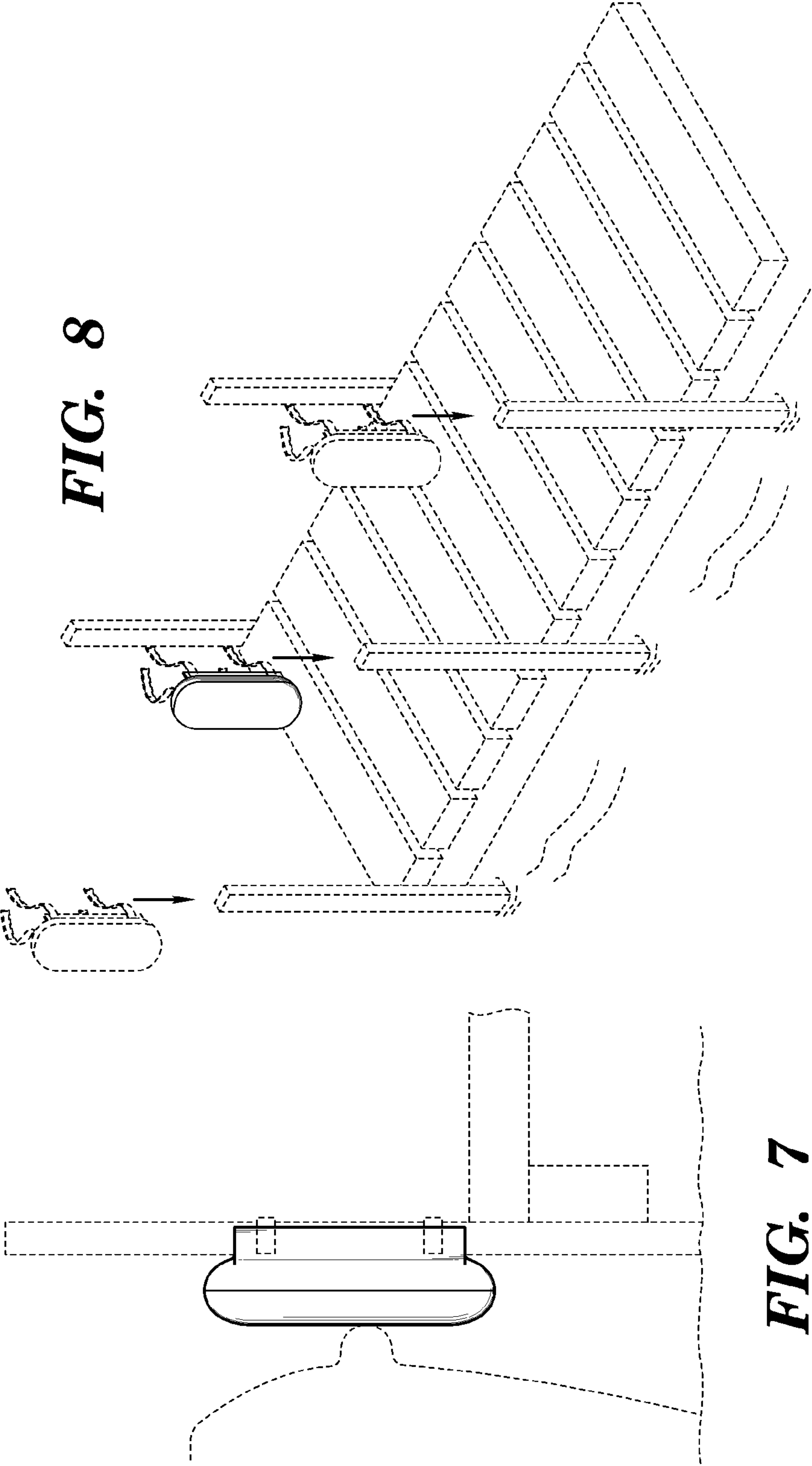


FIG. 8

FIG. 7