

US00D669823S

(12) **United States Design Patent**
Uibomäe

(10) **Patent No.:** **US D669,823 S**
(45) **Date of Patent:** **** Oct. 30, 2012**

(54) **MOTORCYCLE**

(75) Inventor: **Andres Uibomäe**, Tallinn (EE)

(73) Assignee: **Renard Motorcycles OU**, Tallinn (EE)

(**) Term: **14 Years**

(21) Appl. No.: **29/400,205**

(22) Filed: **Aug. 24, 2011**

(30) **Foreign Application Priority Data**

Jul. 28, 2011 (EM) 001897612-0001

(51) **LOC (9) Cl.** **12-11**

(52) **U.S. Cl.** **D12/110**

(58) **Field of Classification Search** D12/110;
180/219, 220, 225, 229

See application file for complete search history.

(56) **References Cited**

U.S. PATENT DOCUMENTS

D171,251 S * 1/1954 Courtney D12/110
D231,441 S * 4/1974 Tratner D12/110
D396,433 S * 7/1998 Belker et al. D12/110

OTHER PUBLICATIONS

2009 Confederate Wraith. Oct. 14, 2009, in article by Mark Hoyer.

[Retrieved on Mar. 6, 2012]. Retrieved from the Internet <URL: <http://www.cycleworld.com/2009/10/14/special-feature-2009-confederate-wraith/>>.*

* cited by examiner

Primary Examiner — Susan M Lee

Assistant Examiner — Linda G. Brooks

(74) *Attorney, Agent, or Firm* — Oblon, Spivak, McClelland, Maier & Neustadt, L.L.P.

(57) **CLAIM**

The ornamental design for a motorcycle, as shown and described.

DESCRIPTION

FIG. 1 is a front, top, and right side perspective view of a motorcycle;

FIG. 2 is a rear, top, and right side perspective view thereof;

FIG. 3 is a front elevational view thereof;

FIG. 4 is a rear elevational view thereof;

FIG. 5 is a left side elevational view thereof;

FIG. 6 is a right side elevational view thereof; and,

FIG. 7 is a top plan view thereof.

The broken lines in the drawings depict environmental subject matter only and form no part of the claimed design.

1 Claim, 7 Drawing Sheets

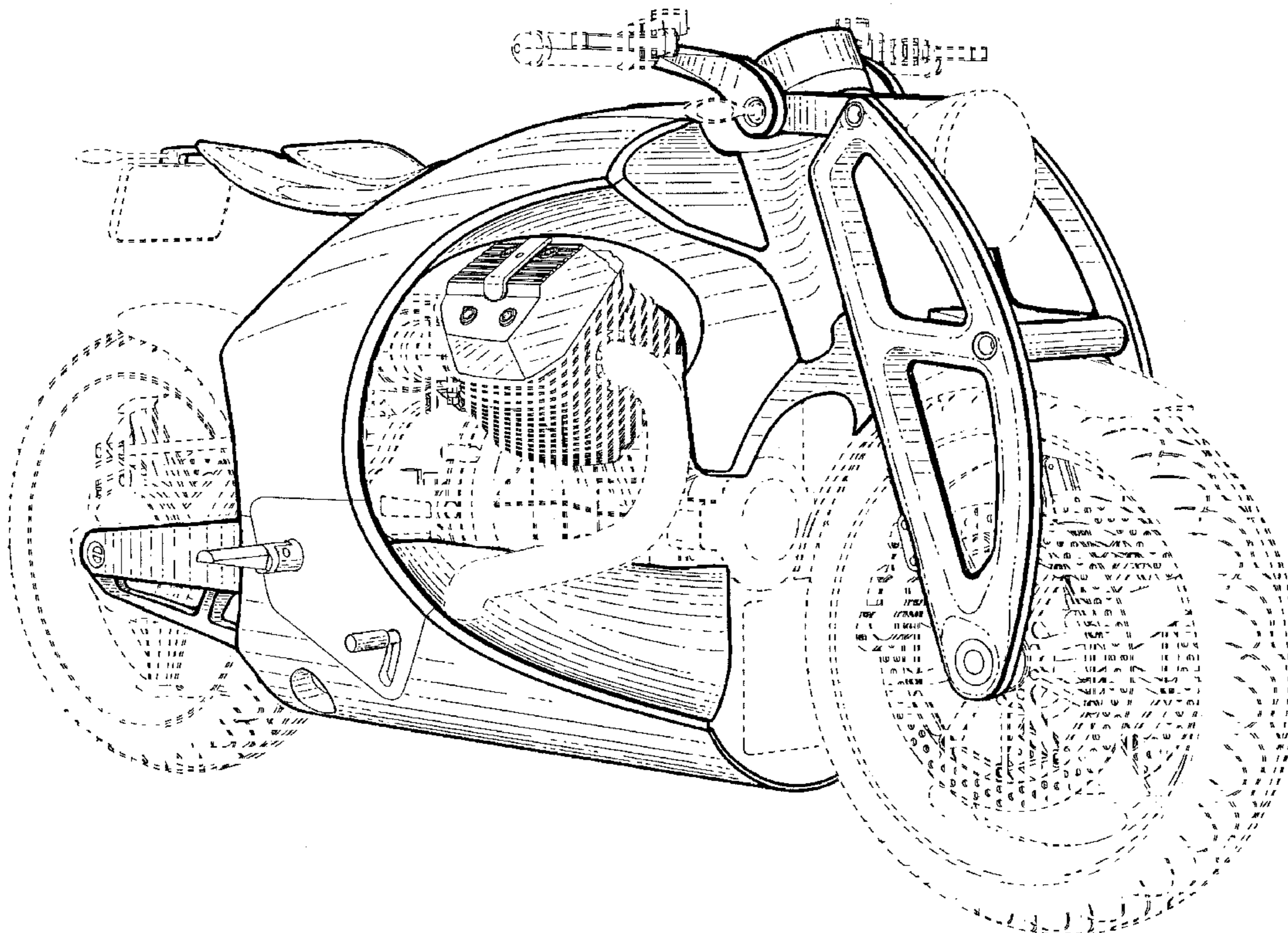
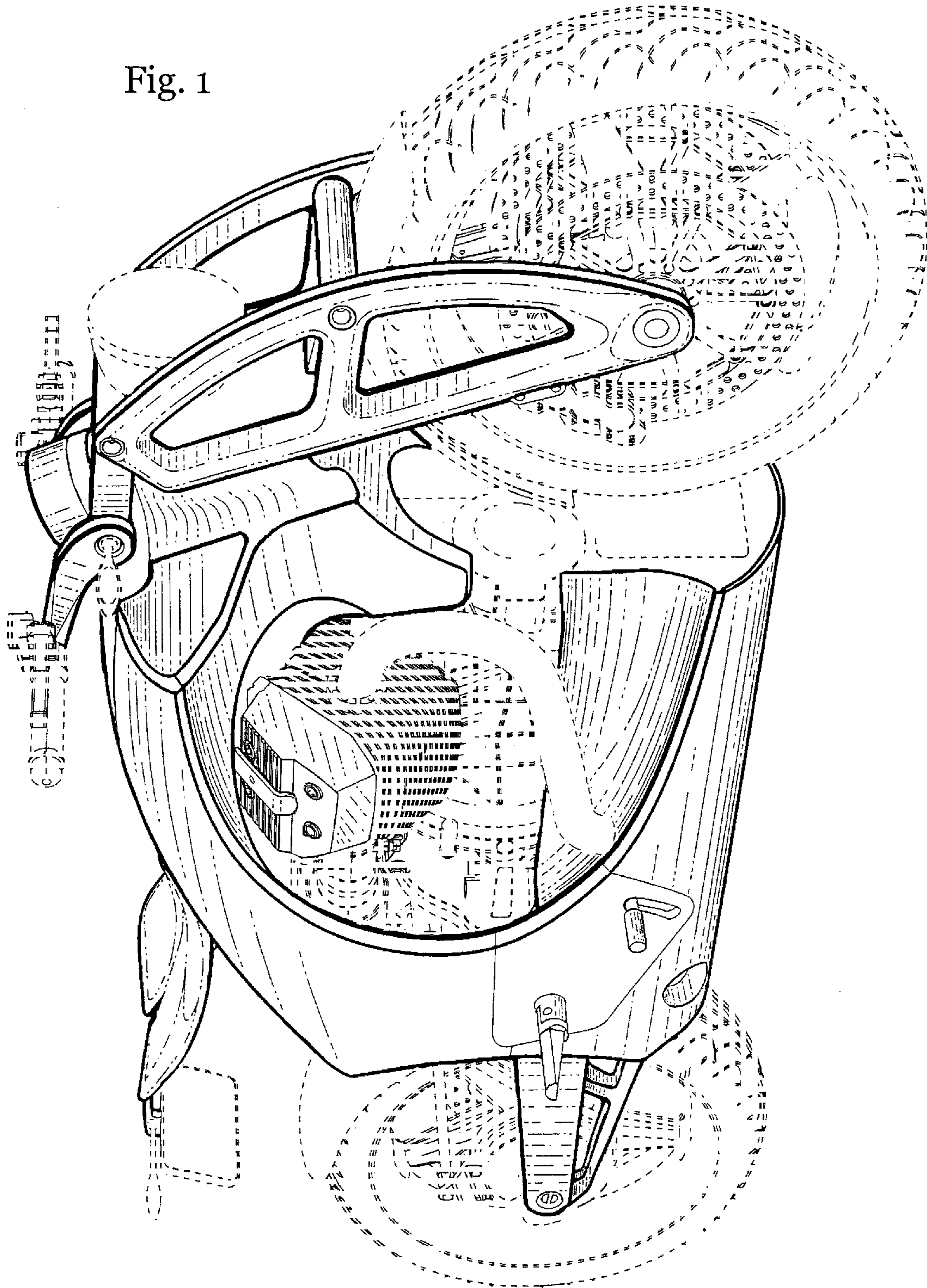


Fig. 1



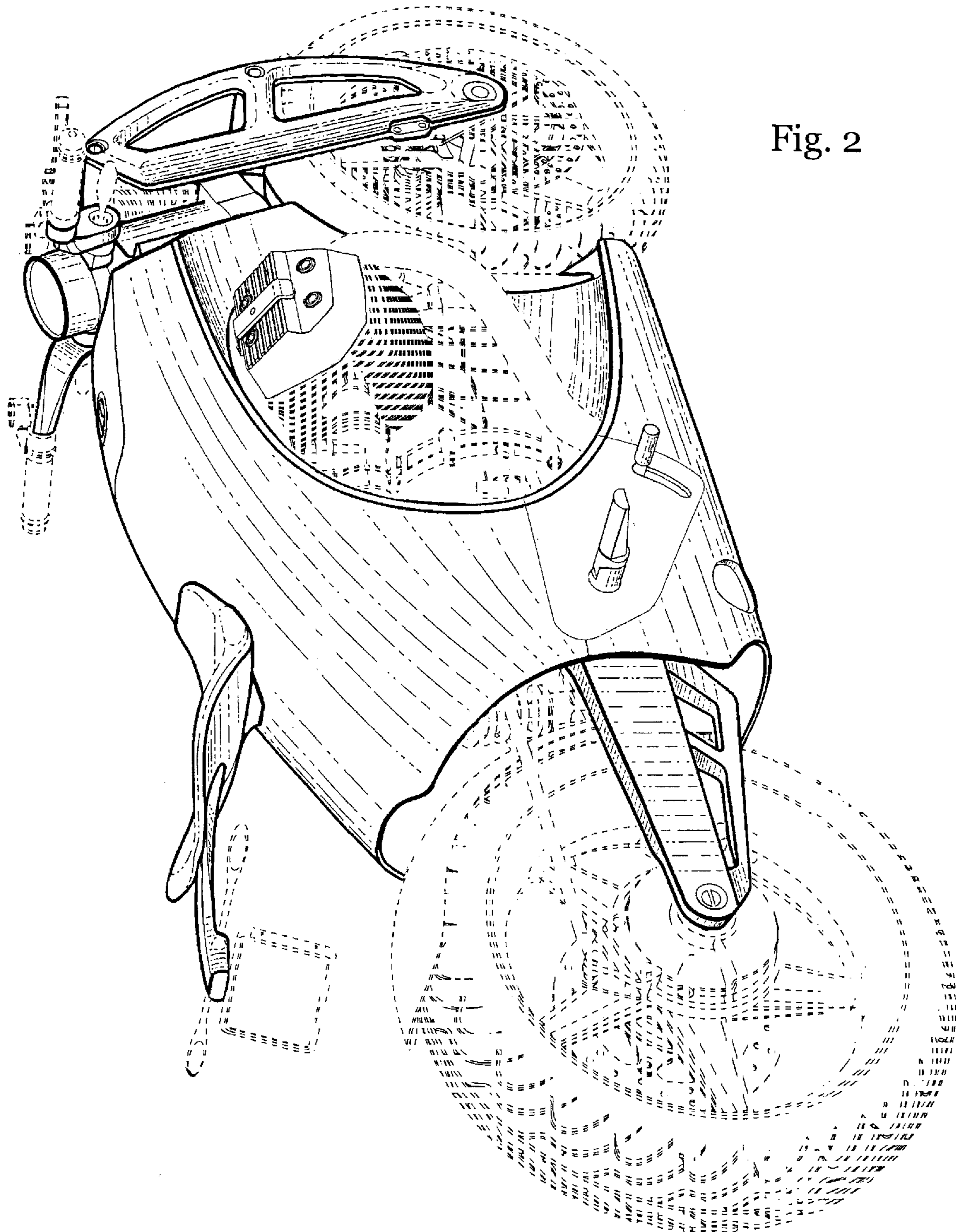


Fig. 2

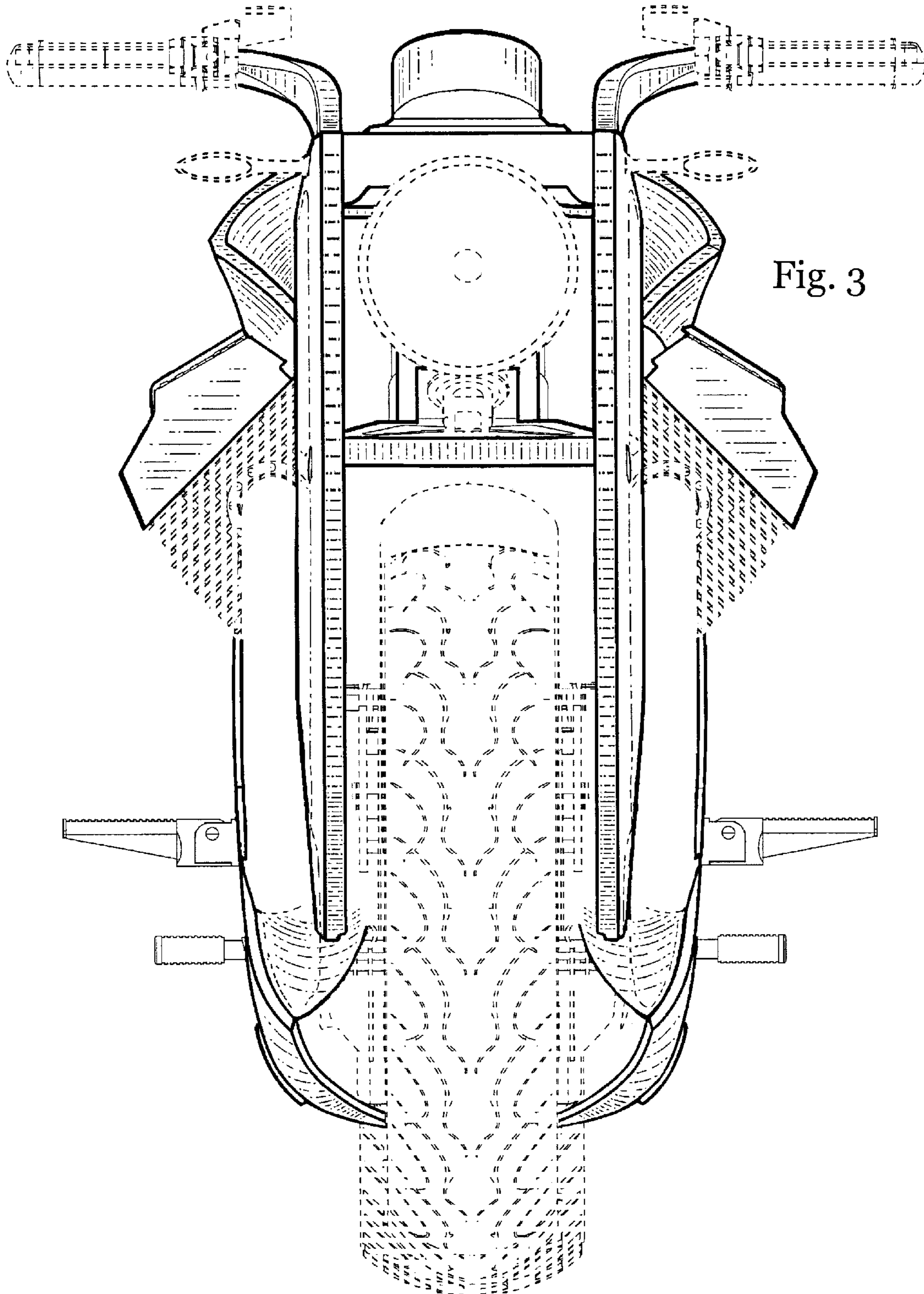


Fig. 3

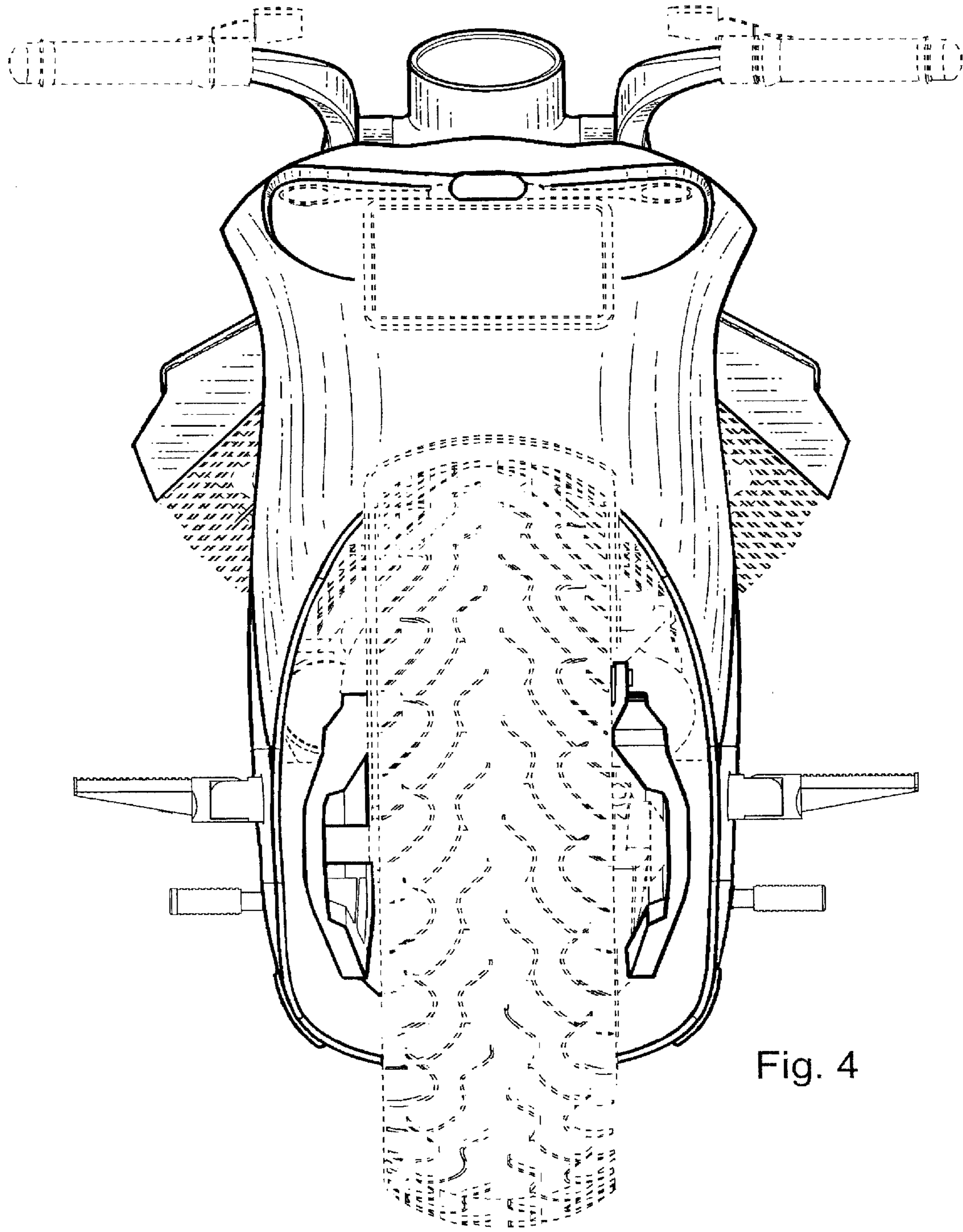


Fig. 4

Fig. 5

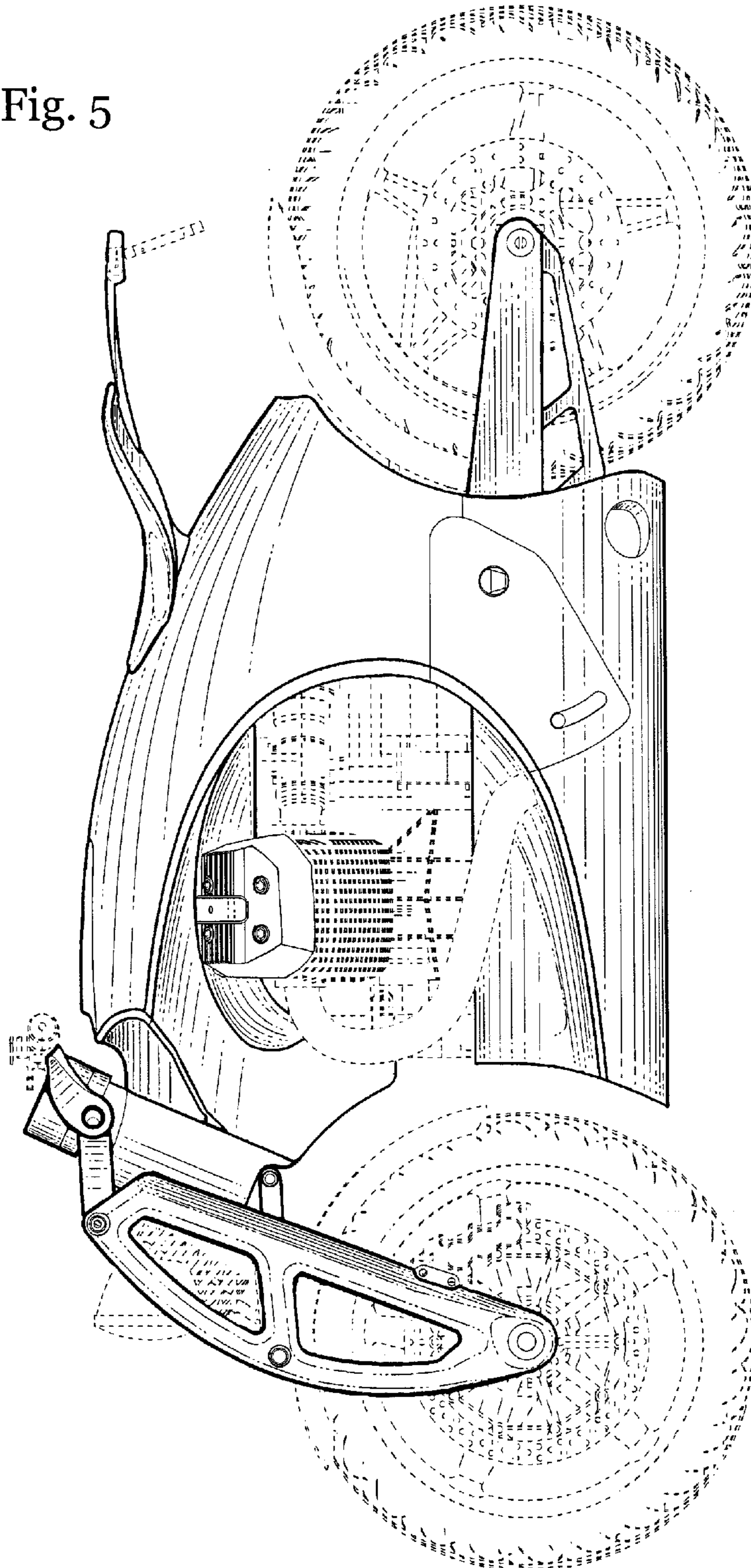


Fig. 6

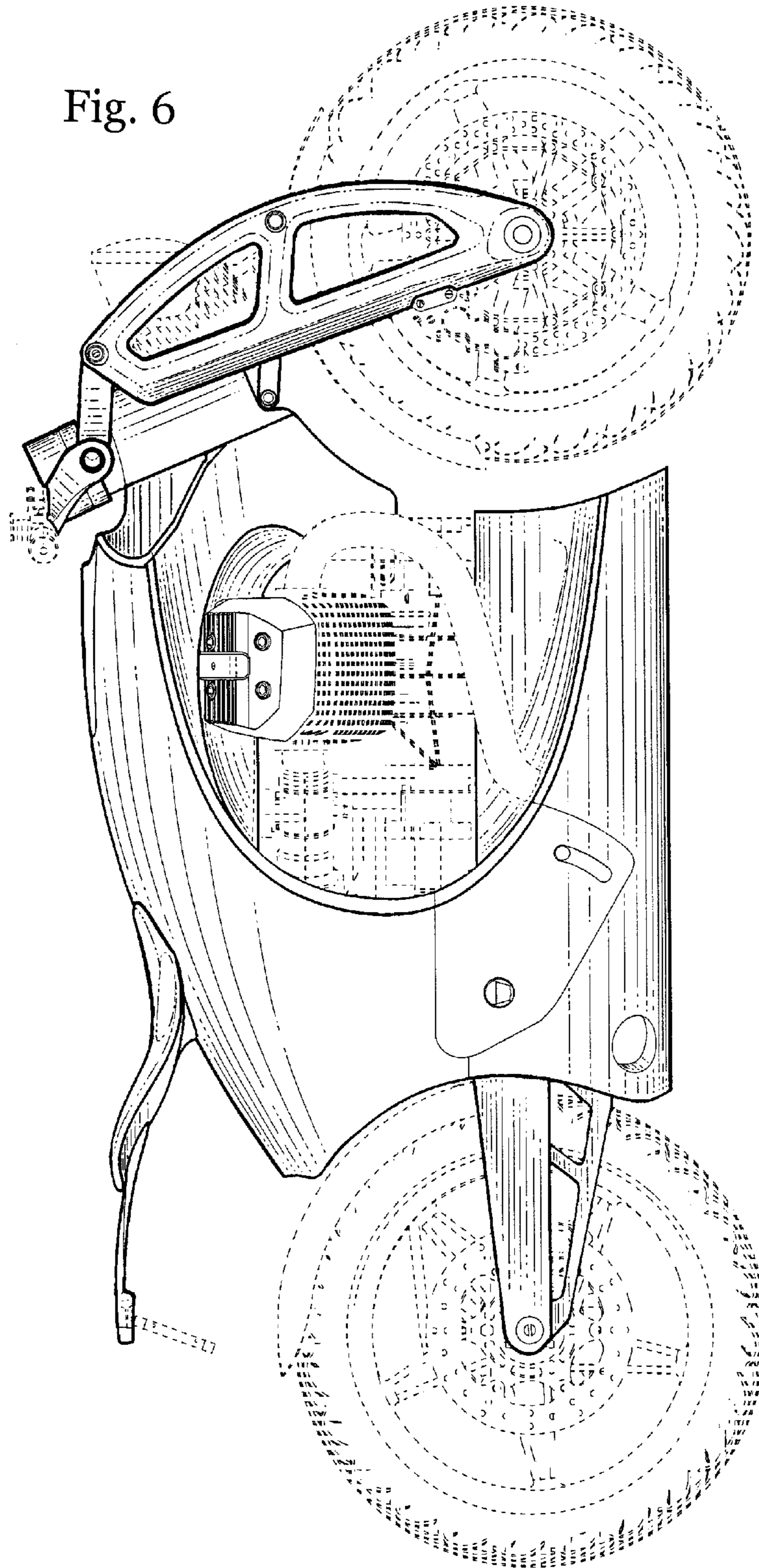


Fig. 7

