



US00D669820S

(12) **United States Design Patent**
Schoonover et al.

(10) **Patent No.:** **US D669,820 S**

(45) **Date of Patent:** **** Oct. 30, 2012**

(54) **SLIDE OUT SEAL**

(75) Inventors: **James Schoonover**, Shelby Township, MI (US); **Vincent McNish**, Fostoria, MI (US)

(73) Assignee: **Vintech Industries Inc.**, Imlay City, MI (US)

(**) Term: **14 Years**

(21) Appl. No.: **29/374,256**

(22) Filed: **Jul. 19, 2011**

(51) **LOC (9) Cl.** **12-10**

(52) **U.S. Cl.** **D12/106**

(58) **Field of Classification Search** D12/100-106, D12/19, 129; D21/425, 435; D34/21-26, D34/12, 16; 280/204, 205, 63, 475, 482, 280/647; 296/168, 180, 180.2, 10, 61, 100.01-100.08
See application file for complete search history.

(56) **References Cited**

U.S. PATENT DOCUMENTS

D302,963 S * 8/1989 Giovannoni D12/181
4,975,306 A * 12/1990 Jackson 428/31
5,009,462 A * 4/1991 Katcherian 296/201
D387,726 S * 12/1997 Maruoka D12/400
D597,909 S * 8/2009 Schlater et al. D12/190

D606,473 S * 12/2009 Schlater D12/190
D606,474 S * 12/2009 Schlater D12/190
D636,313 S * 4/2011 Schlater D12/190
D648,657 S * 11/2011 Schoonover et al. D12/106
D651,146 S * 12/2011 Schoonover et al. D12/190
2003/0090122 A1 * 5/2003 Meizlish 296/93
2009/0071007 A1 * 3/2009 Bruno 30/34.2

* cited by examiner

Primary Examiner — Richard E Chilcot

Assistant Examiner — Katrina A Betton

(74) *Attorney, Agent, or Firm* — Warn Partners, P.C.

(57) **CLAIM**

The ornamental design for a slide out seal, as shown and described.

DESCRIPTION

FIG. 1 is a perspective view of a slide out seal, in accordance with the present invention;

FIG. 2 is a front elevation view of the slide out seal of FIG. 1, in accordance with the present invention;

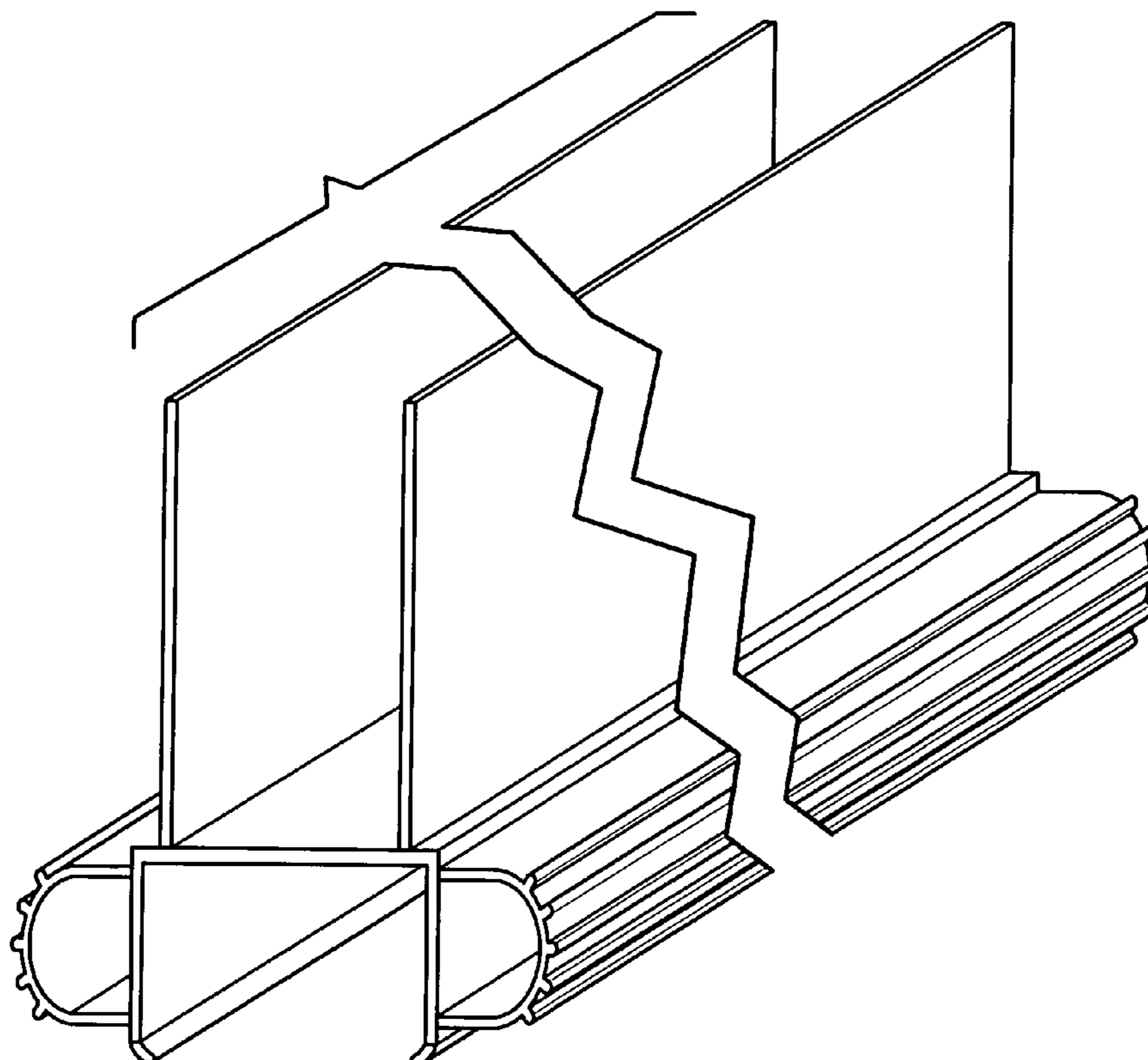
FIG. 3 is a top plan view of the slide out seal of FIGS. 1-2, in accordance with the present invention;

FIG. 4 is a side elevation view of the slide out seal of FIGS. 1-3, in accordance with the present invention; and,

FIG. 5 is a bottom plan view of the slide out seal of FIGS. 1-4, in accordance with the present invention.

The slide out seal is shown broken along its length to indicate that the slide out seal may be formed in any length.

1 Claim, 3 Drawing Sheets



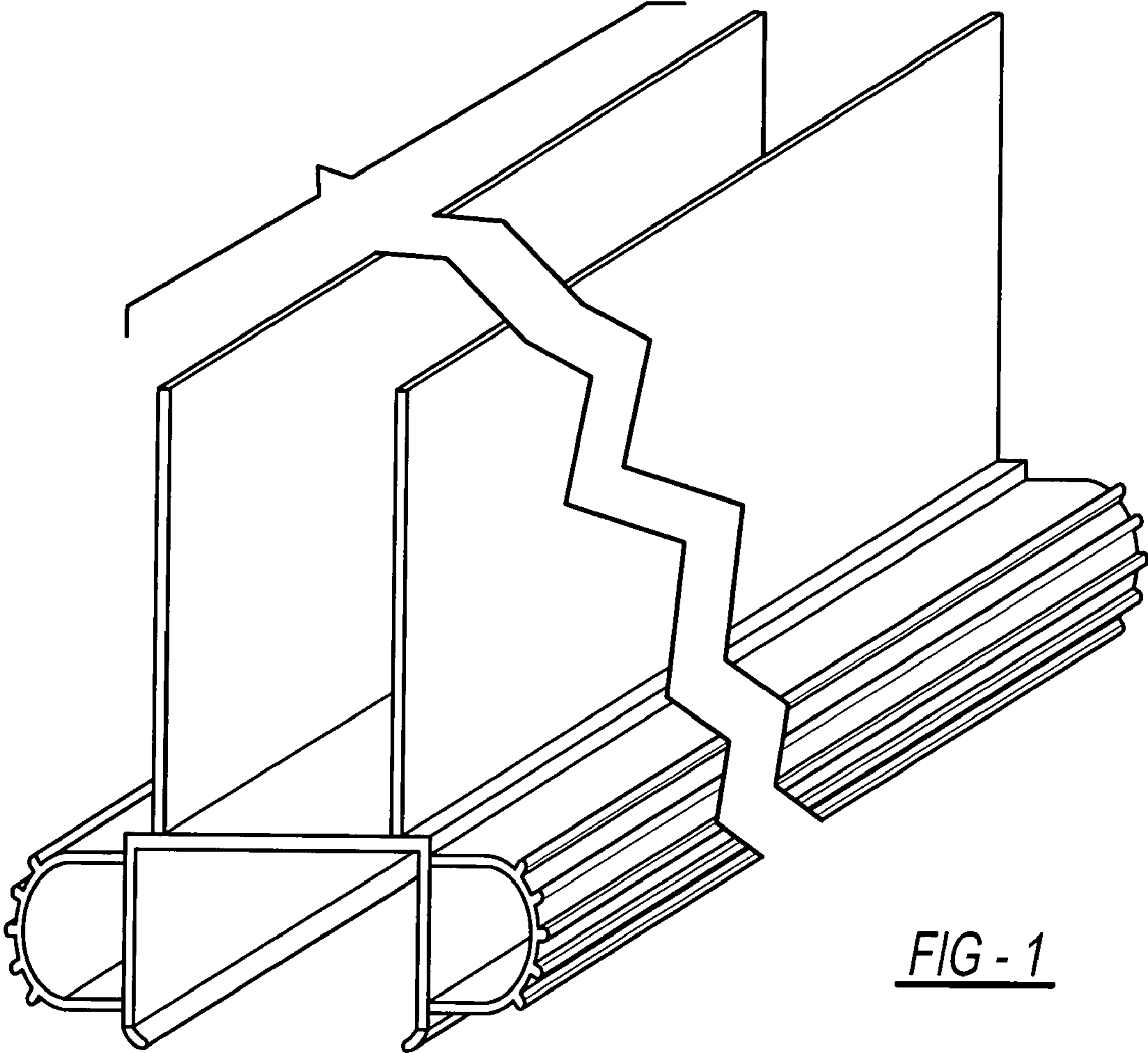


FIG - 1

FIG - 2

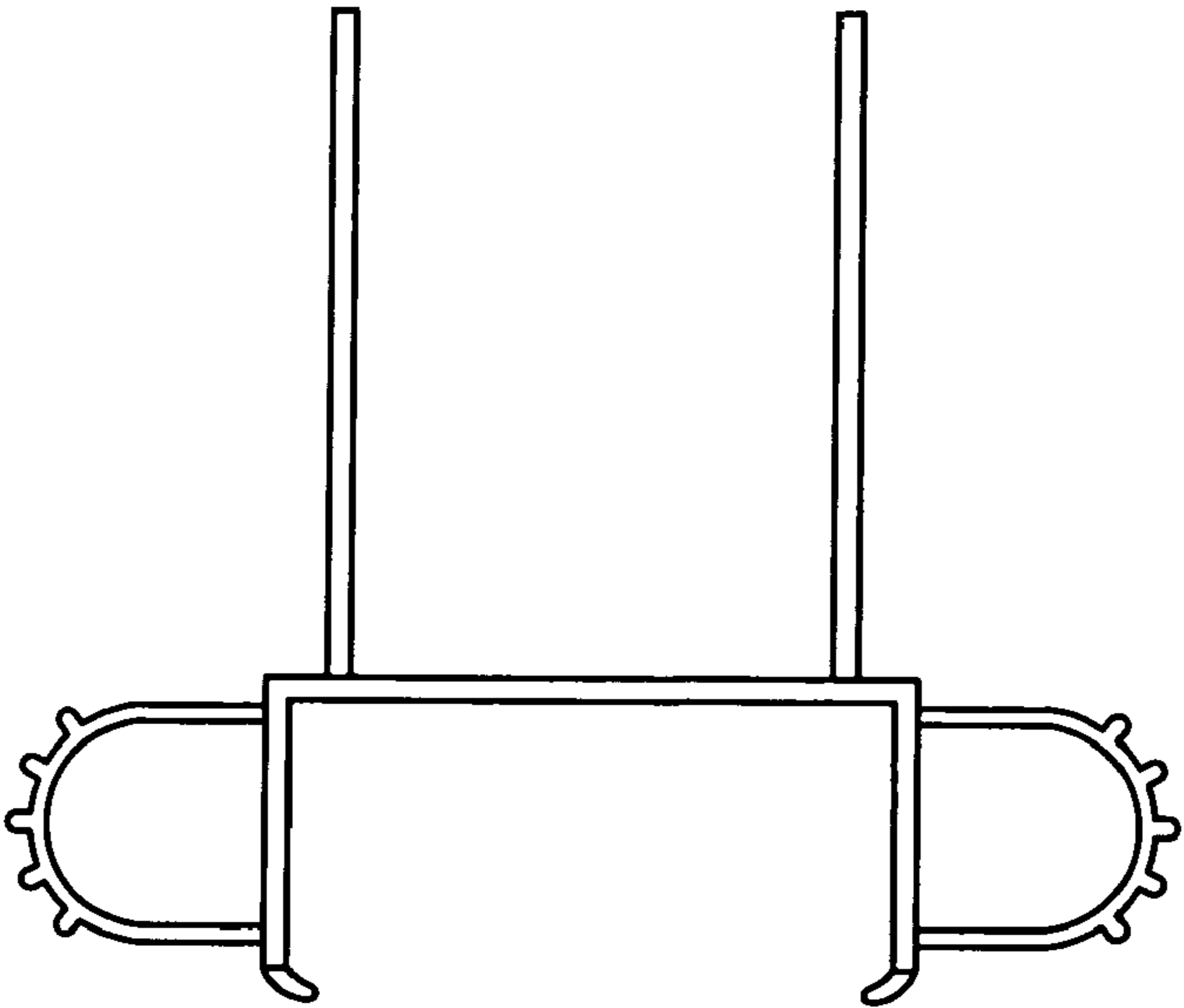


FIG - 3

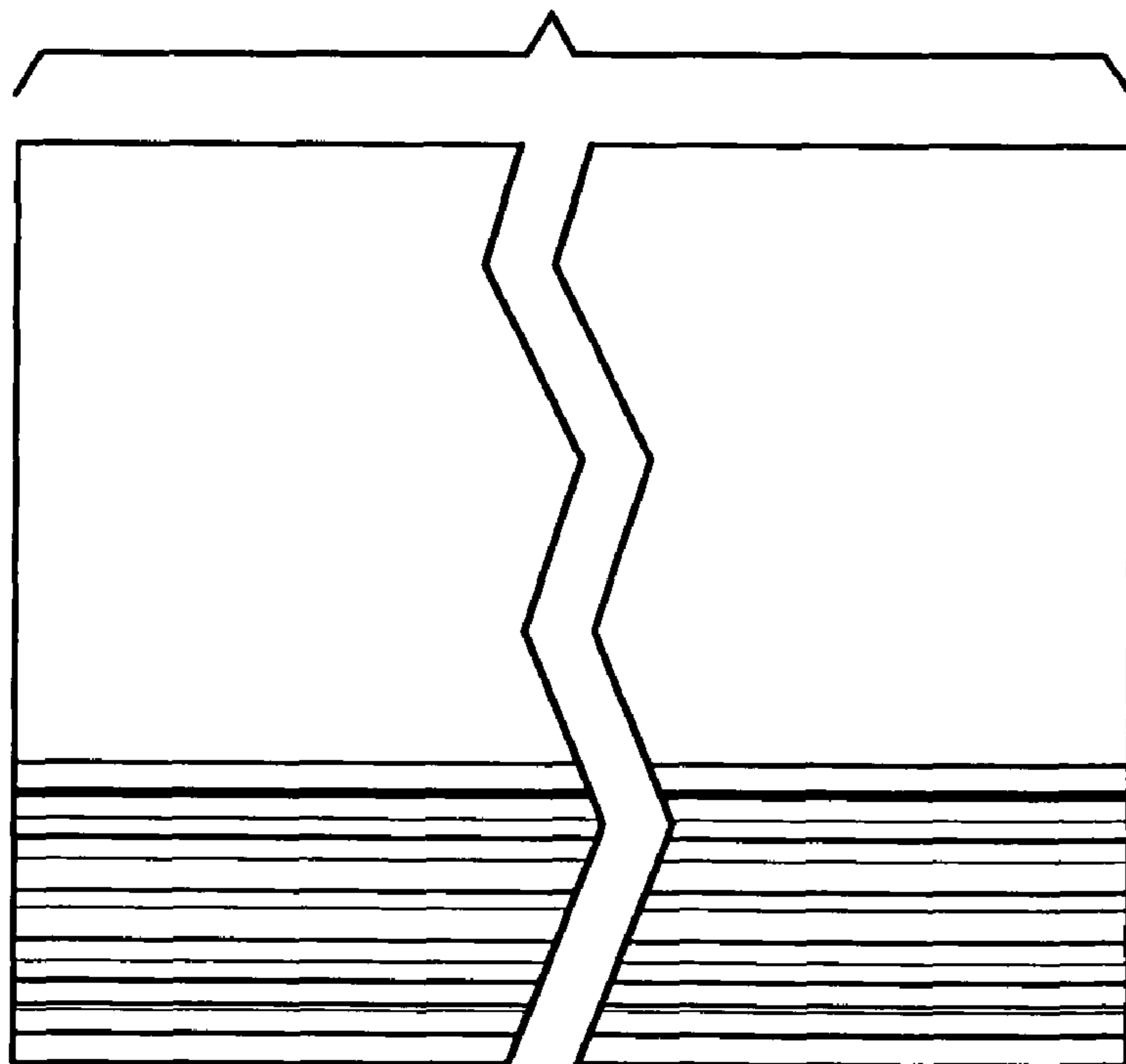
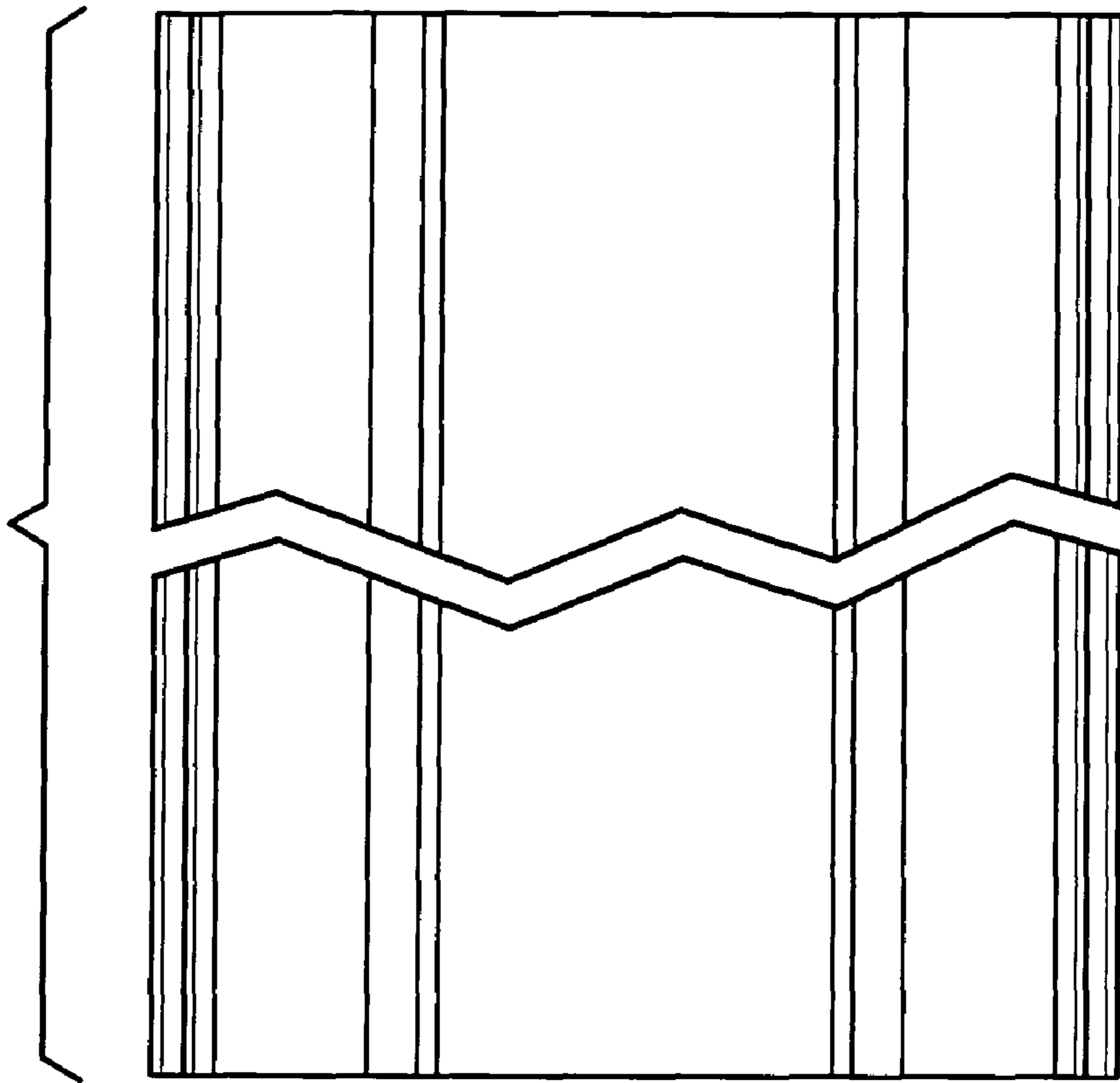


FIG - 4

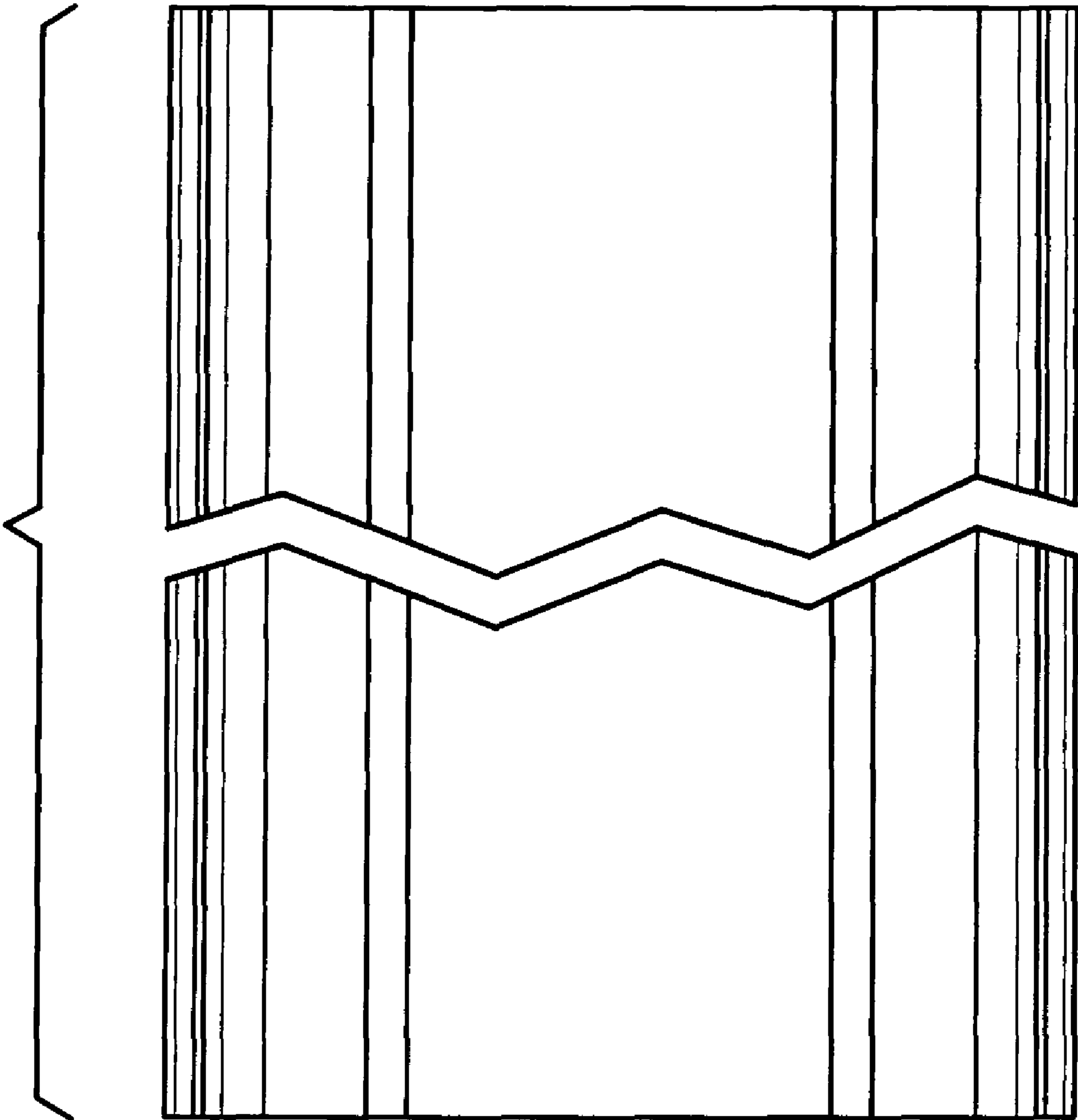


FIG - 5