



US00D669814S

(12) **United States Design Patent**  
**Plucinski**

(10) **Patent No.:** **US D669,814 S**

(45) **Date of Patent:** **\*\* Oct. 30, 2012**

- (54) **INSULATED PLANT CONTAINER**
- (76) Inventor: **John E. Plucinski**, Lahaina, HI (US)
- (\*\*) Term: **14 Years**
- (21) Appl. No.: **29/374,691**
- (22) Filed: **Sep. 22, 2011**
- (51) **LOC (9) Cl.** ..... **11-02**
- (52) **U.S. Cl.** ..... **D11/152**
- (58) **Field of Classification Search** ..... D6/403-405,  
D6/556-558; D8/1; D11/143-156, 164;  
D19/77, 80, 81, 84; D25/100; D26/9-11,  
D26/16, 19; D34/1, 2, 4-6; D99/5, 19; 47/17,  
47/32.4, 32.5, 32.7, 33.39, 41.01, 41.1, 41.11-41.15,  
47/44-47, 63, 65.5, 65.9, 66.1, 66.2, 66.6,  
47/66.7, 67-71  
See application file for complete search history.

(56) **References Cited**

**U.S. PATENT DOCUMENTS**

D20,133	S	*	9/1890	Whilldin	.....	D11/152
D20,523	S	*	2/1891	Balsley	.....	D11/152
1,251,552	A	*	1/1918	Marks	.....	D11/152
2,026,679	A	*	1/1936	Higgins	.....	47/65.6
D110,286	S	*	6/1938	Krehbiel	.....	D11/152
3,192,665	A	*	7/1965	Cloud	.....	D11/153
D202,507	S	*	10/1965	Shelby	.....	D11/152
4,631,861	A	*	12/1986	Wuthrich	.....	47/70
D366,855	S	*	2/1996	Deelen	.....	D11/152
5,649,386	A	*	7/1997	Rynberk	.....	47/41.14
D400,823	S	*	11/1998	Bagshaw	.....	D11/152
D405,387	S	*	2/1999	Masello	.....	D11/152

D436,887	S	*	1/2001	Fan	.....	D11/152
D442,422	S	*	5/2001	Dabney	.....	D11/152
D445,358	S	*	7/2001	Simmons	.....	D11/152
D461,432	S	*	8/2002	Carlson	.....	D11/153
6,427,379	B1	*	8/2002	Lehner	.....	47/66.1
D543,327	S	*	5/2007	Snell	.....	D34/1
D564,394	S	*	3/2008	Schmidt	.....	D11/152
D564,939	S	*	3/2008	Fan	.....	D11/152
D572,168	S	*	7/2008	Kurtz	.....	D11/152
D611,384	S	*	3/2010	Biegel	.....	D11/152
2003/0188479	A1	*	10/2003	Weder	.....	47/66.7
2006/0191196	A1	*	8/2006	Cochran	.....	47/66.1
2009/0241417	A1	*	10/2009	Smith	.....	47/66.2

**FOREIGN PATENT DOCUMENTS**

GB	2041589	*	1/1995
GB	2047048	*	3/1995
GB	2047658	*	5/1995

\* cited by examiner

*Primary Examiner* — Garth Rademaker

(74) *Attorney, Agent, or Firm* — James E. Brunton

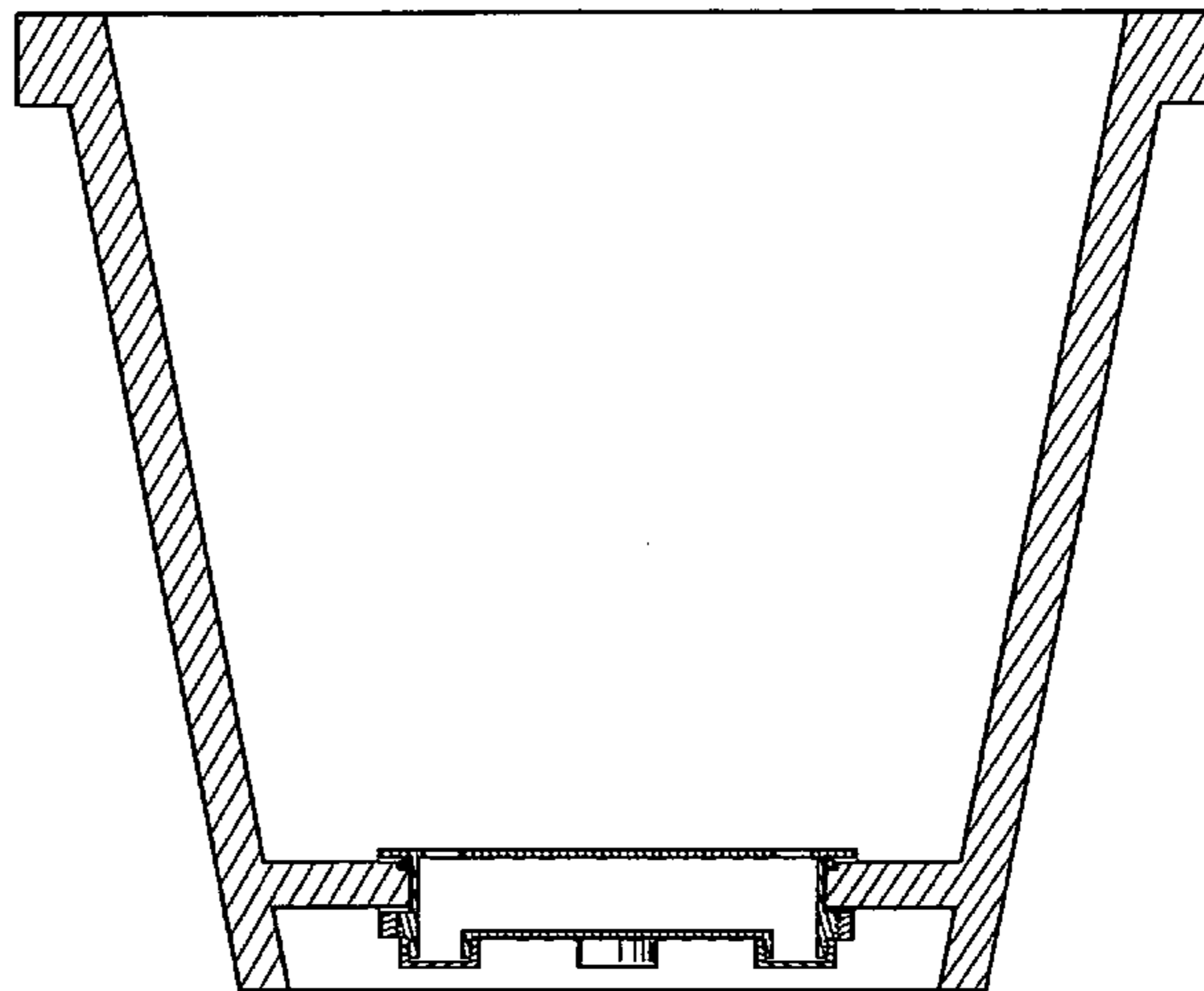
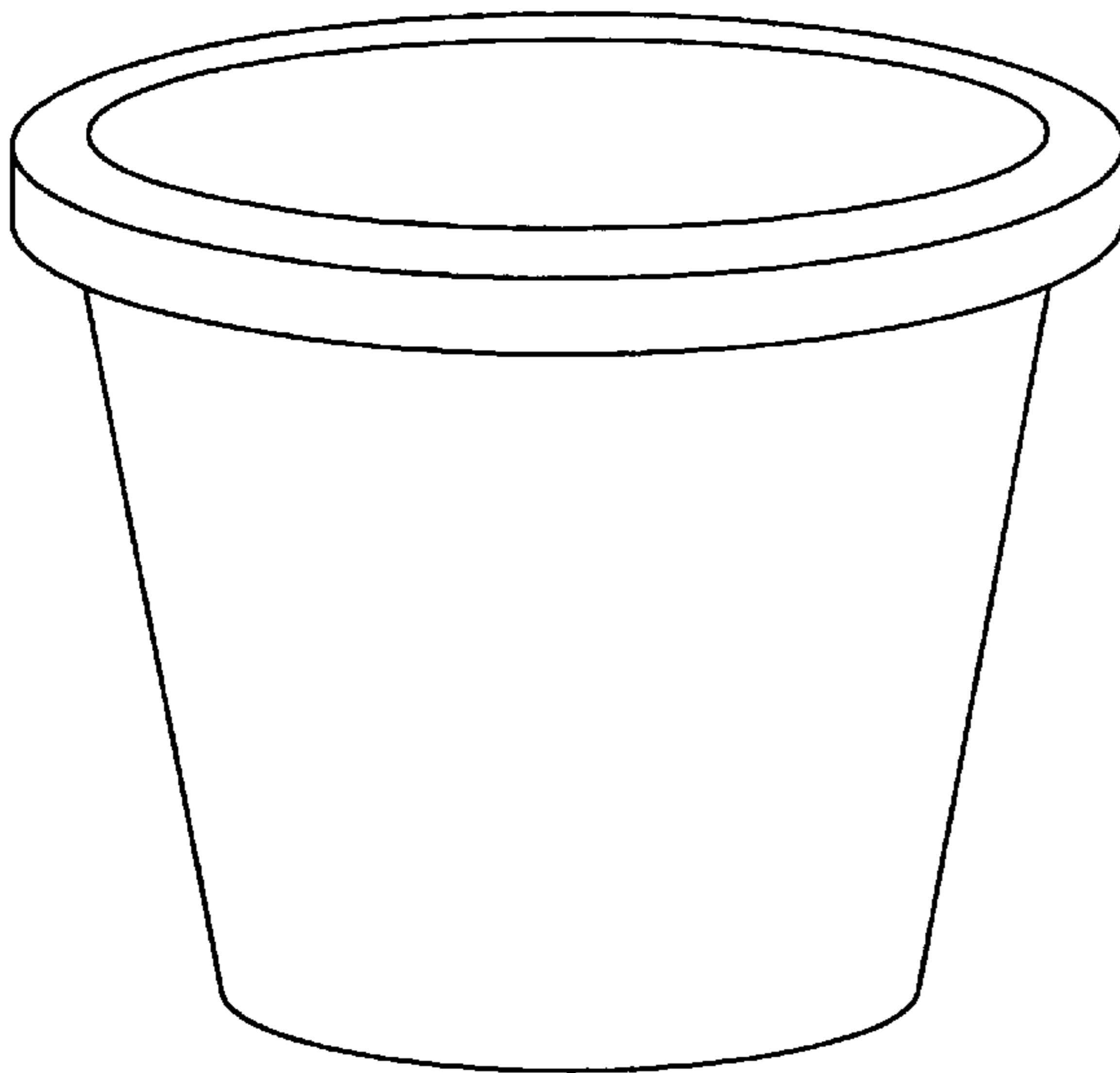
(57) **CLAIM**

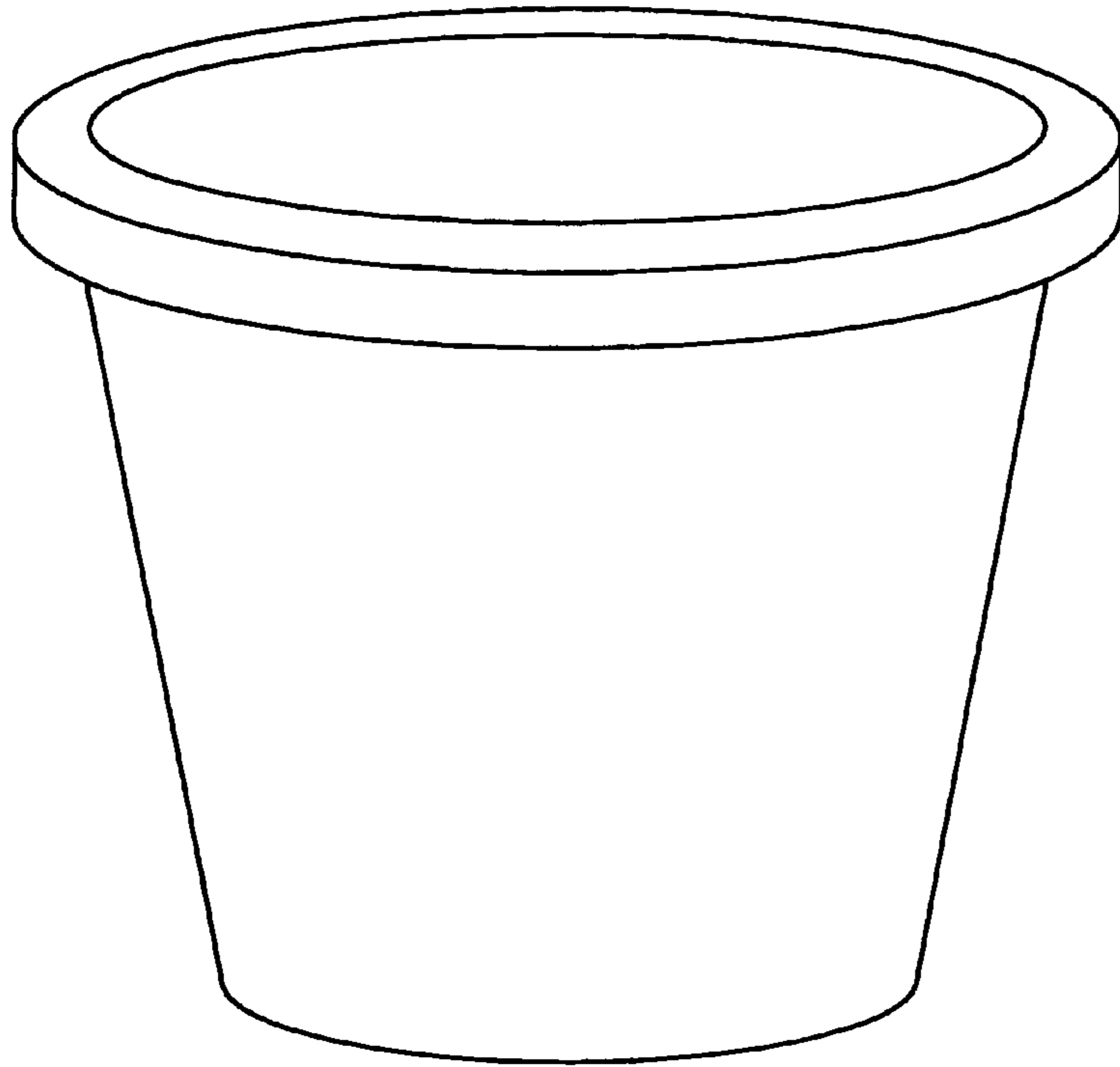
The ornamental design for an “insulated plant container,” as shown and described.

**DESCRIPTION**

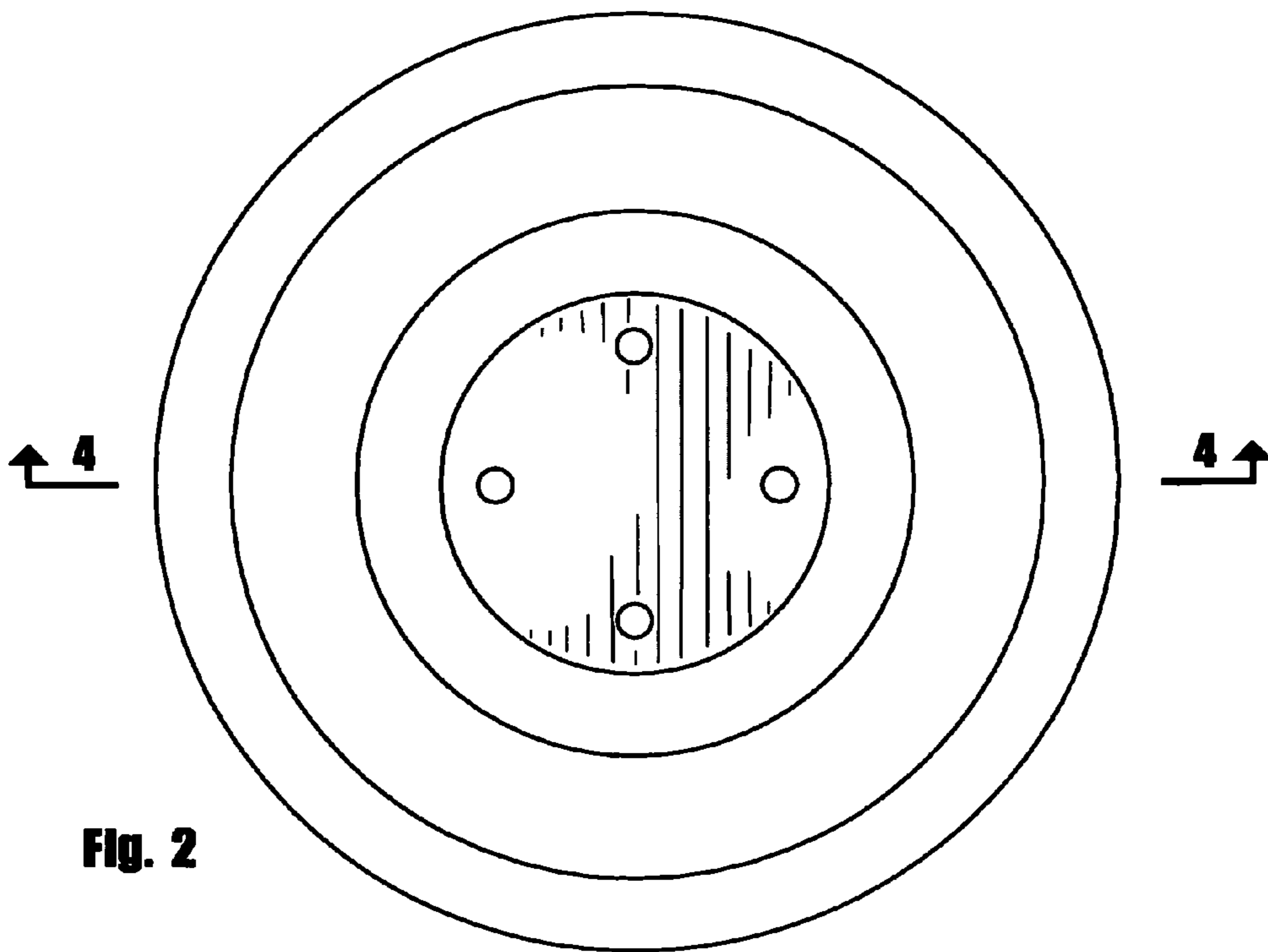
FIG. 1 is a perspective view of an “insulated plant container” showing my new design;  
FIG. 2 is a top plan view thereof;  
FIG. 3 is a bottom plan view thereof; and,  
FIG. 4 is a cross-sectional view thereof, taken along lines 4-4 of FIG. 2 and shown at an enlarged scale.

**1 Claim, 2 Drawing Sheets**



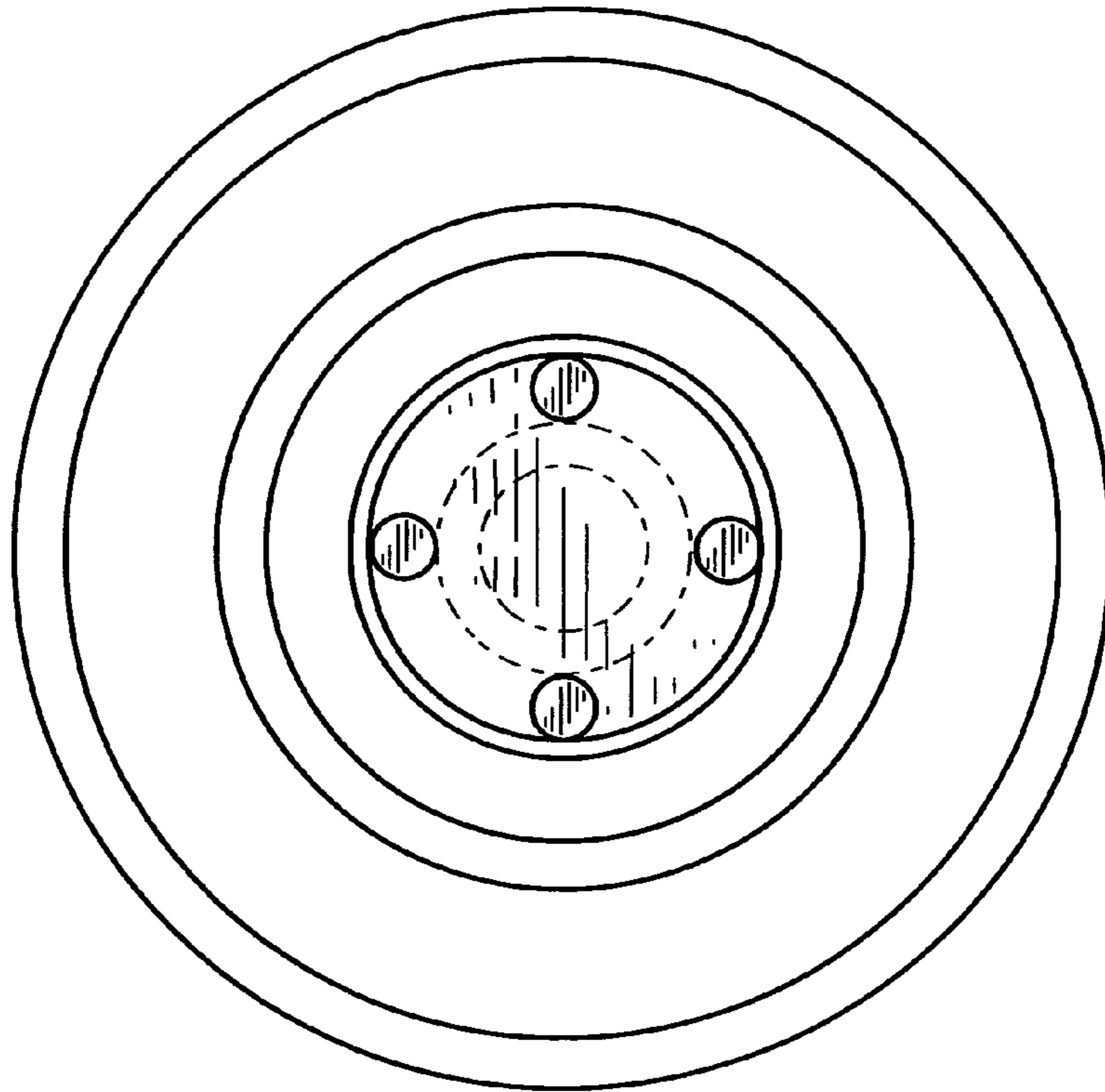


**Fig. 1**



**Fig. 2**

**Fig. 3**



**Fig. 4**

