



US00D669806S

(12) **United States Design Patent**
Stein

(10) **Patent No.:** **US D669,806 S**
(45) **Date of Patent:** **** Oct. 30, 2012**

(54) **LIGHT EMITTING DIODE BEACON LIGHT**

5,816,694 A 10/1998 Ideker et al.
(Continued)

(75) Inventor: **Paul L. Stein**, O'Fallon, MO (US)

(73) Assignee: **Code 3, Inc.**, St. Louis, MO (US)

(**) Term: **14 Years**

FOREIGN PATENT DOCUMENTS
DE 19728354 A1 1/1999
(Continued)

(21) Appl. No.: **29/418,625**

(22) Filed: **Apr. 18, 2012**

(51) **LOC (9) Cl.** **10-05**

(52) **U.S. Cl.** **D10/114.2**

(58) **Field of Classification Search** ... D10/114.1-114.4,
D10/114.6, 114.9, 113.1; D26/67; 362/184;
315/313

See application file for complete search history.

OTHER PUBLICATIONS

D/L-Type Flare Lens Tech Data Sheet 2005, (Data Sheet—20 mm Lenses—Issue-A), 2 pages.

Primary Examiner — George D Kirschbaum

(74) *Attorney, Agent, or Firm* — Senniger Powers LLP

(57) **CLAIM**

The ornamental design for a light emitting diode beacon light, as shown and described.

(56) **References Cited**

U.S. PATENT DOCUMENTS

2,738,492 A	3/1956	Arneson et al.
3,287,548 A	11/1966	Kompier
3,325,930 A	6/1967	Braeutigam
3,611,094 A	10/1971	Bischoff
3,723,725 A	3/1973	Jaeger
3,732,537 A	5/1973	Freeman
3,739,169 A	6/1973	Weinreich
3,763,367 A	10/1973	Nitsch et al.
3,784,809 A	1/1974	Smith
3,875,561 A	4/1975	Scarpino et al.
3,980,937 A	9/1976	Bostrom et al.
4,004,274 A	1/1977	Menke et al.
4,058,794 A	11/1977	Menke
4,124,880 A	11/1978	Dart et al.
4,142,179 A	2/1979	Lowndes
4,387,362 A	6/1983	Gosswiller
4,425,604 A	1/1984	Imai et al.
D326,237 S	5/1992	Gale et al.
5,173,810 A	12/1992	Yamakawa
5,757,557 A	5/1998	Medvedev et al.
5,785,418 A	7/1998	Hochstein

DESCRIPTION

FIG. 1 is a perspective view of a light emitting diode beacon light of my new design.

FIG. 2 is a front elevational view of the light emitting diode beacon light of FIG. 1. The rear elevational view is the same as FIG. 2.

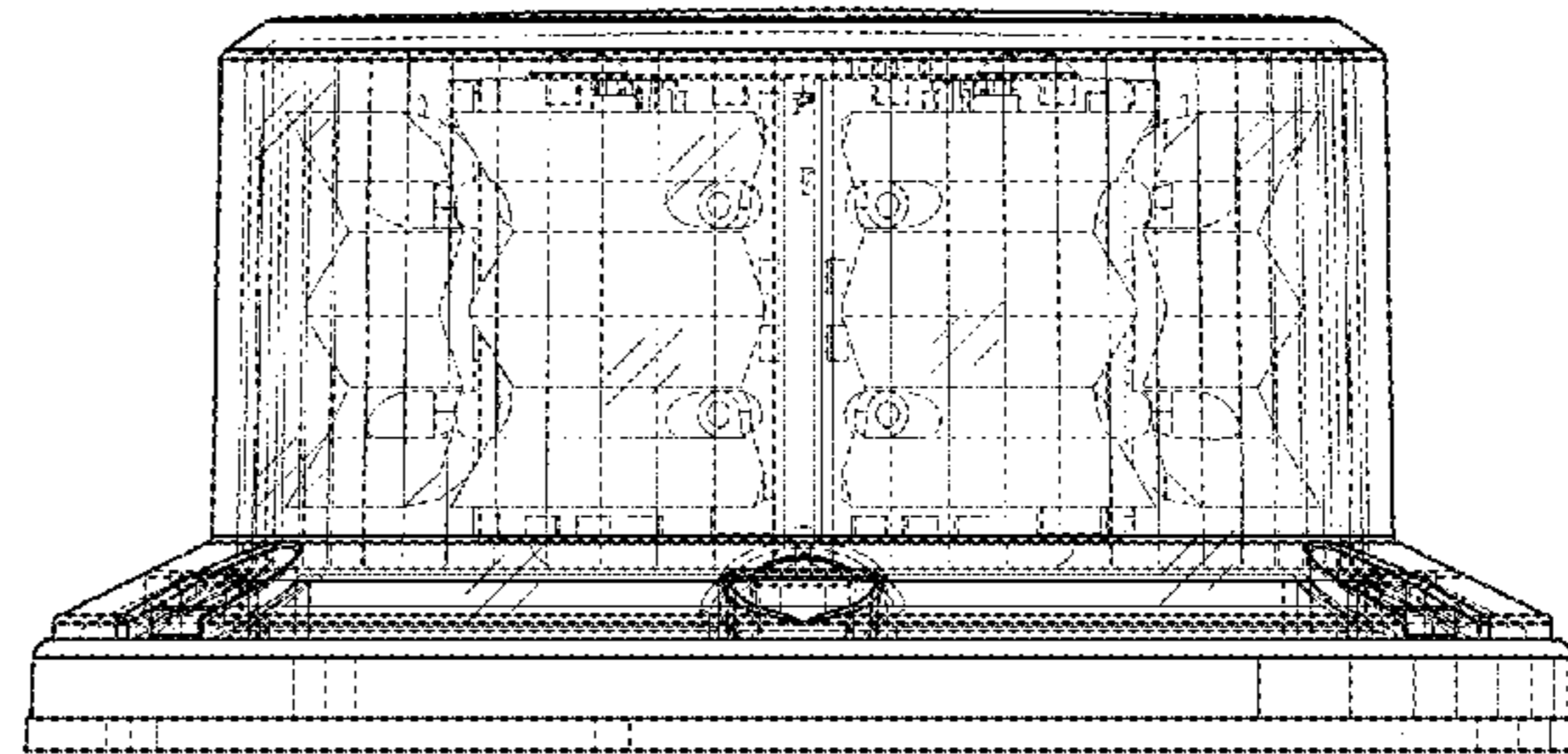
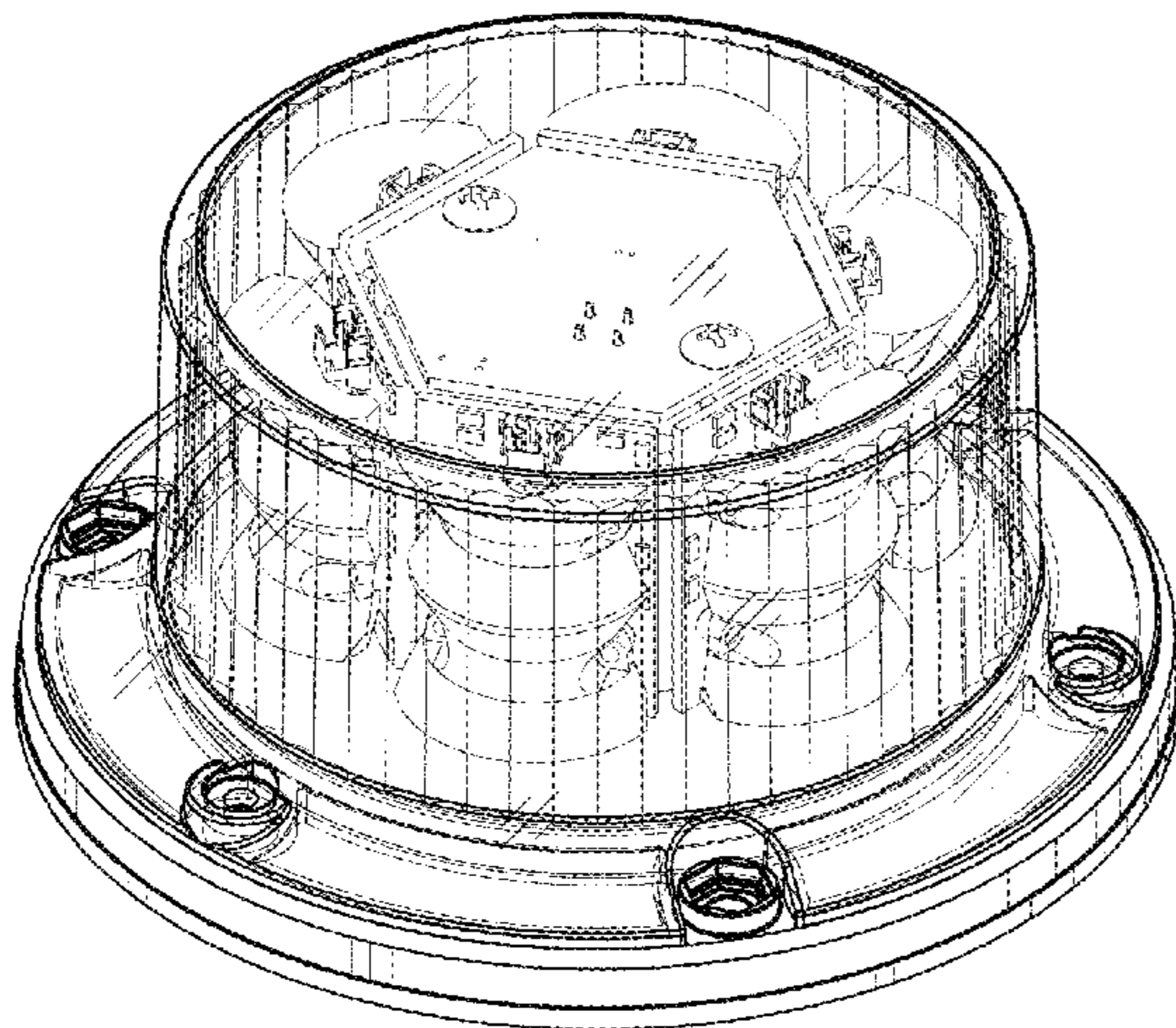
FIG. 3 is a right side elevational view of the light emitting diode beacon light of FIG. 1. The left side elevational view is the same as FIG. 3.

FIG. 4 is a top plan view of the light emitting diode beacon light of FIG. 1; and,

FIG. 5 is a bottom plan view of the light emitting diode beacon light of FIG. 1.

The broken line showing of spines in the central region of the bottom of the design is included for the purpose of illustrating portions of the "article" and forms no part of the claimed design.

1 Claim, 5 Drawing Sheets



US D669,806 S

Page 2

U.S. PATENT DOCUMENTS

5,857,767 A 1/1999 Hochstein
5,897,201 A 4/1999 Simon
6,183,100 B1 2/2001 Suckow et al.
6,464,373 B1 10/2002 Petrick
6,543,911 B1 4/2003 Rizkin et al.
6,552,658 B1 4/2003 Roller et al.
D513,477 S 1/2006 Heftman
7,168,827 B2 1/2007 Stein et al.
D544,805 S 6/2007 Corrigan et al.
7,300,185 B1 11/2007 Ruffin et al.
D570,722 S 6/2008 Taylor
D584,181 S 1/2009 Poon

D598,315 S 8/2009 Miyatake
D598,316 S 8/2009 Kuwano
D598,799 S 8/2009 Shigematsu
D601,053 S 9/2009 Ferrie et al.
D612,760 S 3/2010 Chen et al.
7,712,931 B1 5/2010 Smith
2005/0110649 A1 5/2005 Fredericks et al.
2010/0244748 A1* 9/2010 Haab et al. 315/313

FOREIGN PATENT DOCUMENTS

EP 1255306 A2 11/2002
WO 03/048637 A1 6/2003

* cited by examiner

FIG. 1

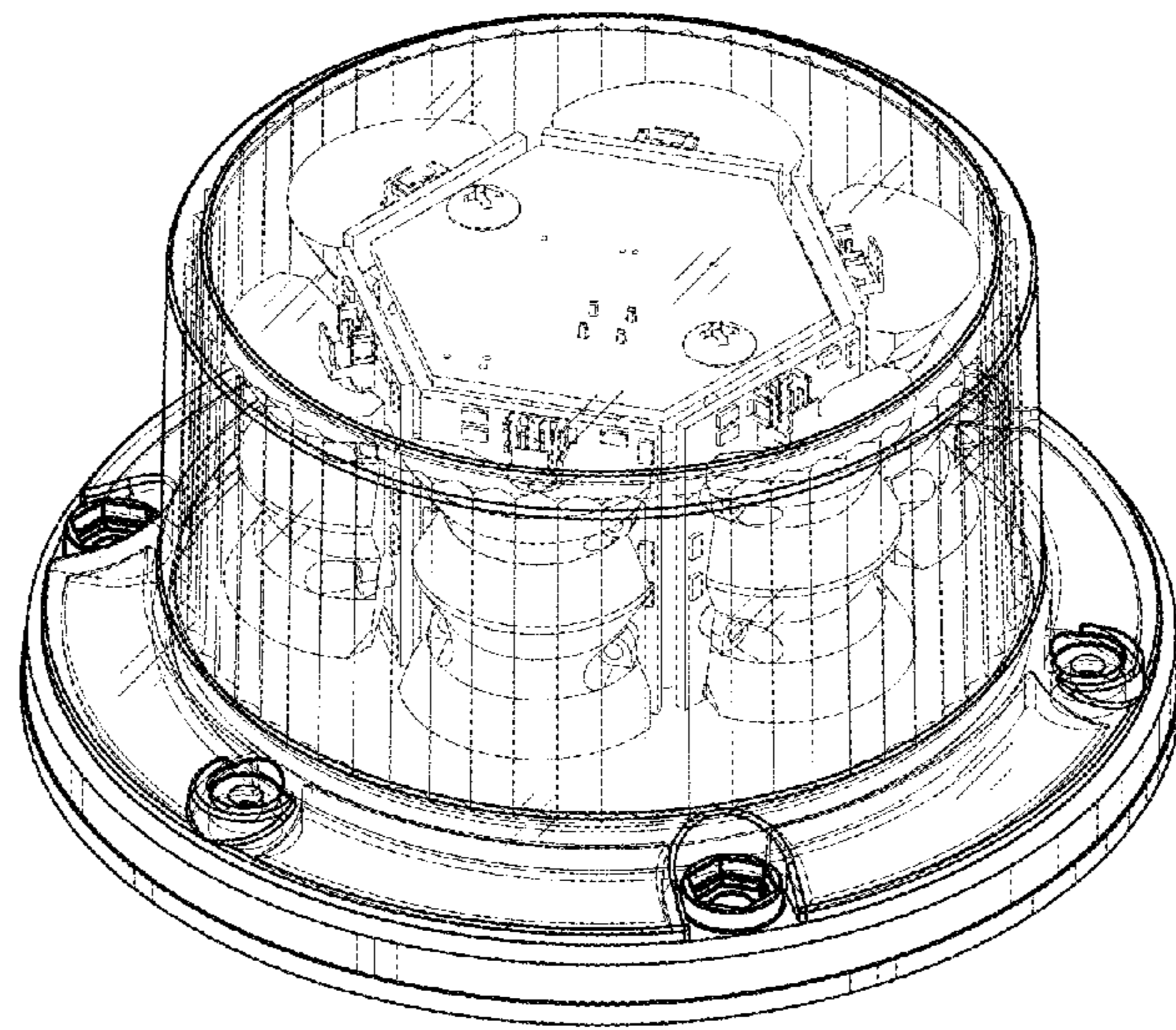


FIG. 2

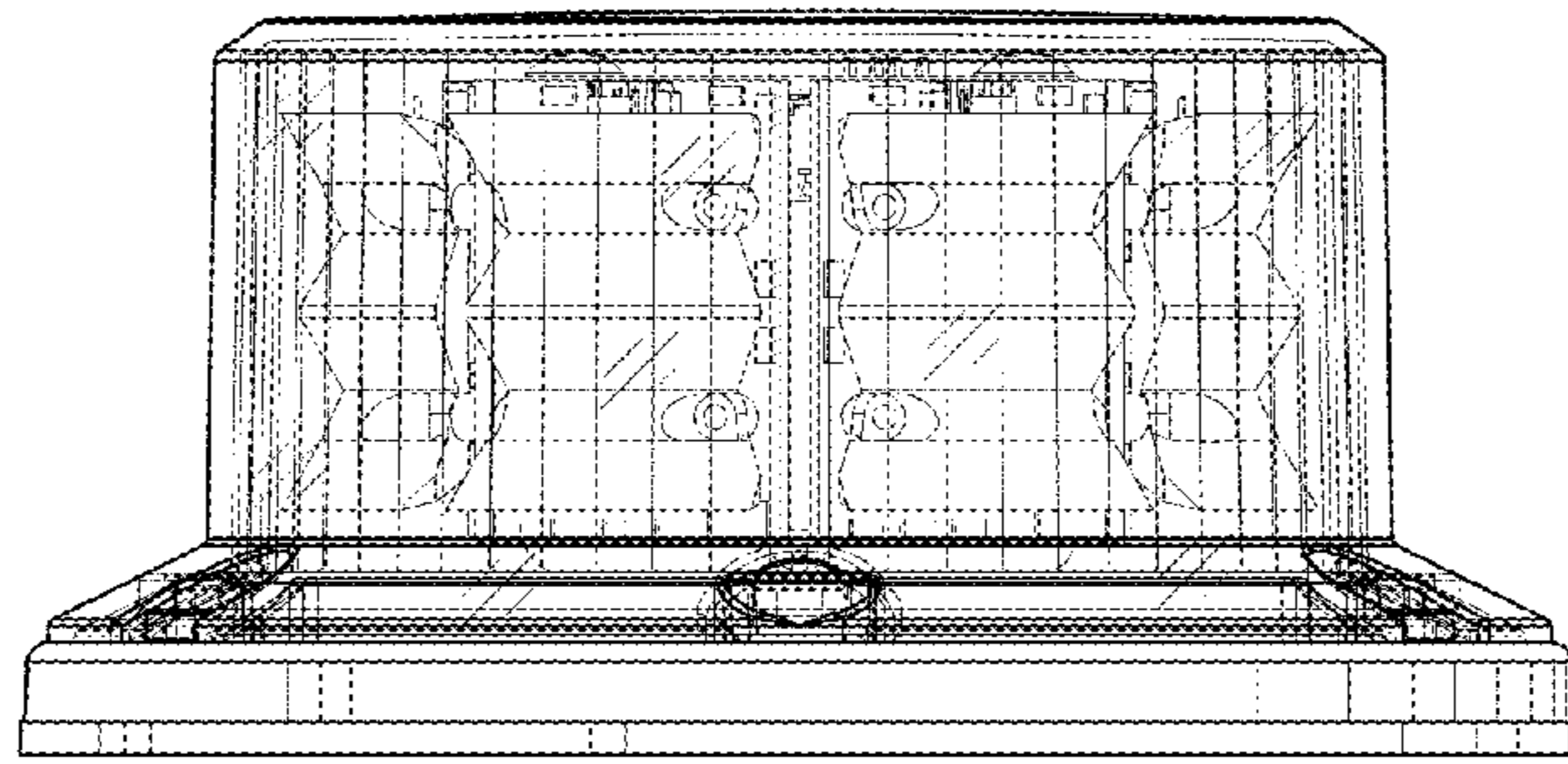


FIG. 3

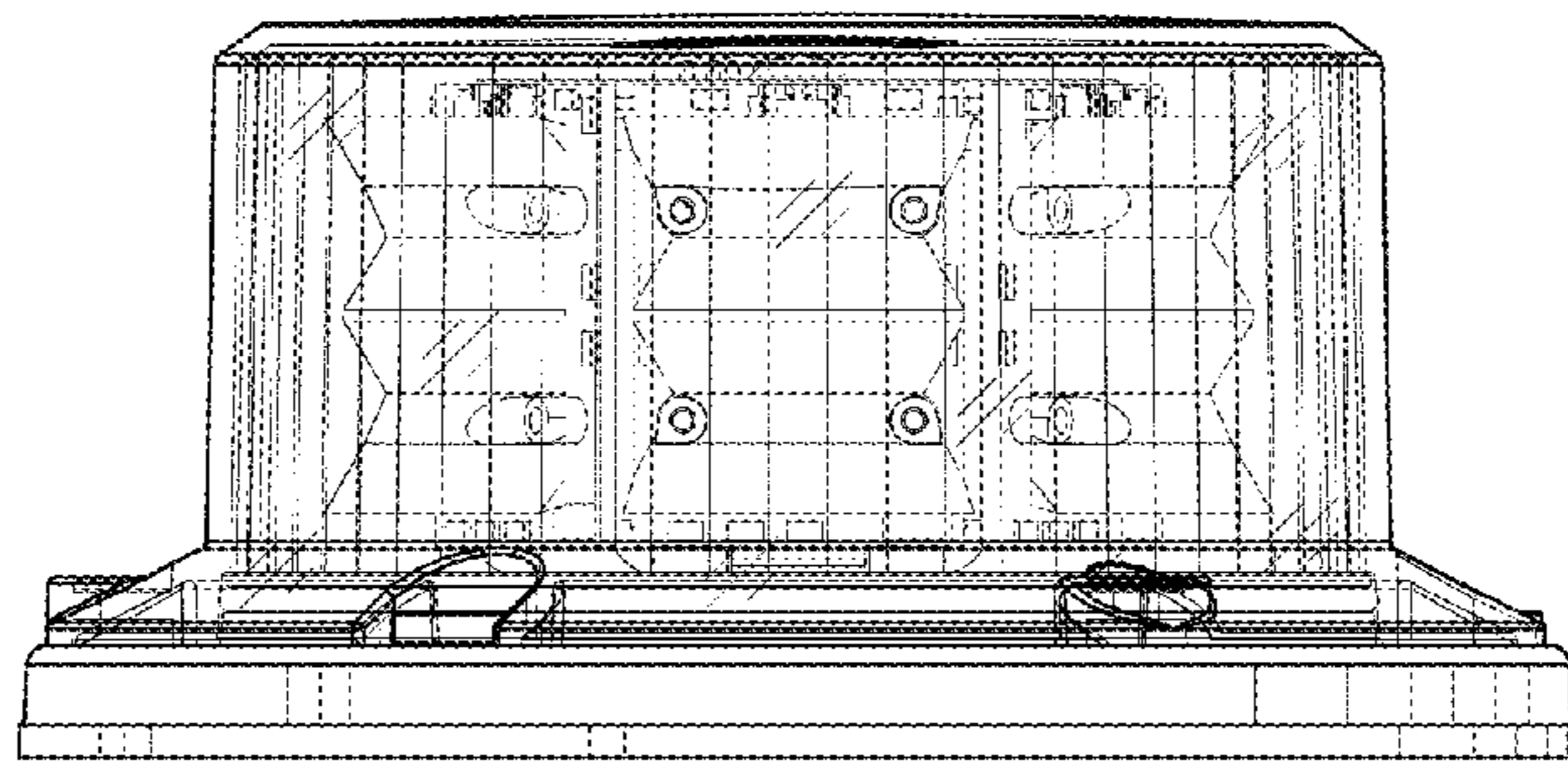


FIG. 4

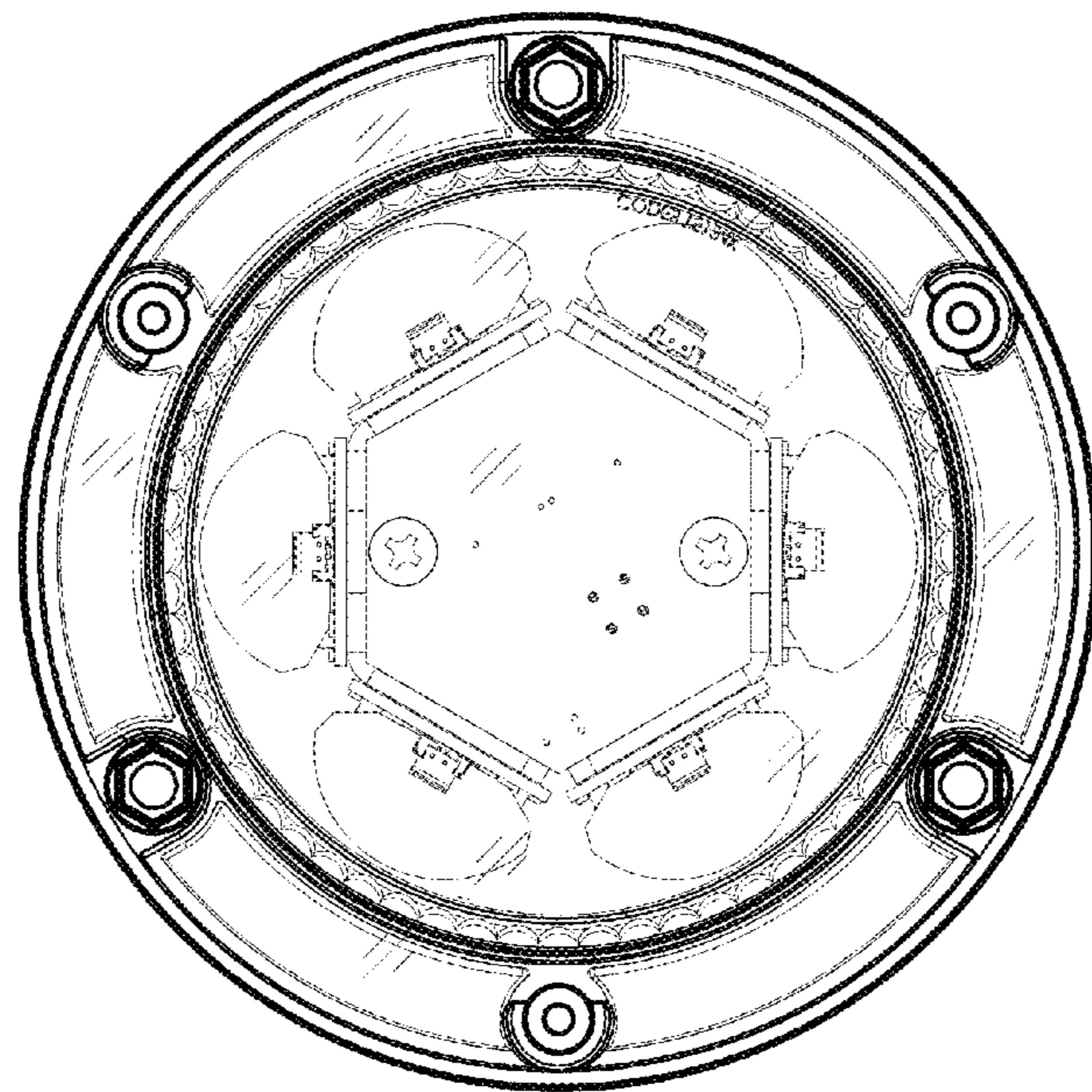


FIG. 5

