



US00D669805S

(12) **United States Design Patent**
Edwards et al.

(10) **Patent No.:** **US D669,805 S**
(45) **Date of Patent:** **** Oct. 30, 2012**

(54) **ILLUMINATED SIGNALING DEVICE**

(75) Inventors: **Troy J. Edwards**, San Jose, CA (US);
Russell E. Tavernetti, San Carlos, CA
(US); **Kenneth S. Dueker**, Menlo Park,
CA (US); **Paul M. Hagelin**, Saratoga,
CA (US)

(73) Assignee: **Powerflare Corporation**, Menlo Park,
CA (US)

(**) Term: **14 Years**

(21) Appl. No.: **29/415,251**

(22) Filed: **Mar. 8, 2012**

(51) **LOC (9) Cl.** **10-05**

(52) **U.S. Cl.** **D10/114.1**

(58) **Field of Classification Search** D10/111,
D10/113.1, 114.1–114.4; 404/9–16
See application file for complete search history.

(56) **References Cited**

U.S. PATENT DOCUMENTS

D304,694 S * 11/1989 Goss D10/114.1
D349,466 S * 8/1994 Chang D10/114.1

D421,658 S * 3/2000 Ting D26/38
D510,289 S * 10/2005 Dueker et al. D10/111
D515,958 S * 2/2006 Dueker et al. D10/109.1
D544,117 S * 6/2007 Coushaine D26/37
D544,618 S * 6/2007 Coushaine D26/37
D560,533 S * 1/2008 Dueker et al. D10/109.1
D561,921 S * 2/2008 Aleksjew D26/37
D654,387 S * 2/2012 Wilson et al. D10/114.2
2006/0104054 A1 * 5/2006 Coman 362/153.1
2012/0013256 A1 * 1/2012 McDermott 315/129

* cited by examiner

Primary Examiner — George D Kirschbaum

(74) *Attorney, Agent, or Firm* — Sawyer Law Group, P.C.

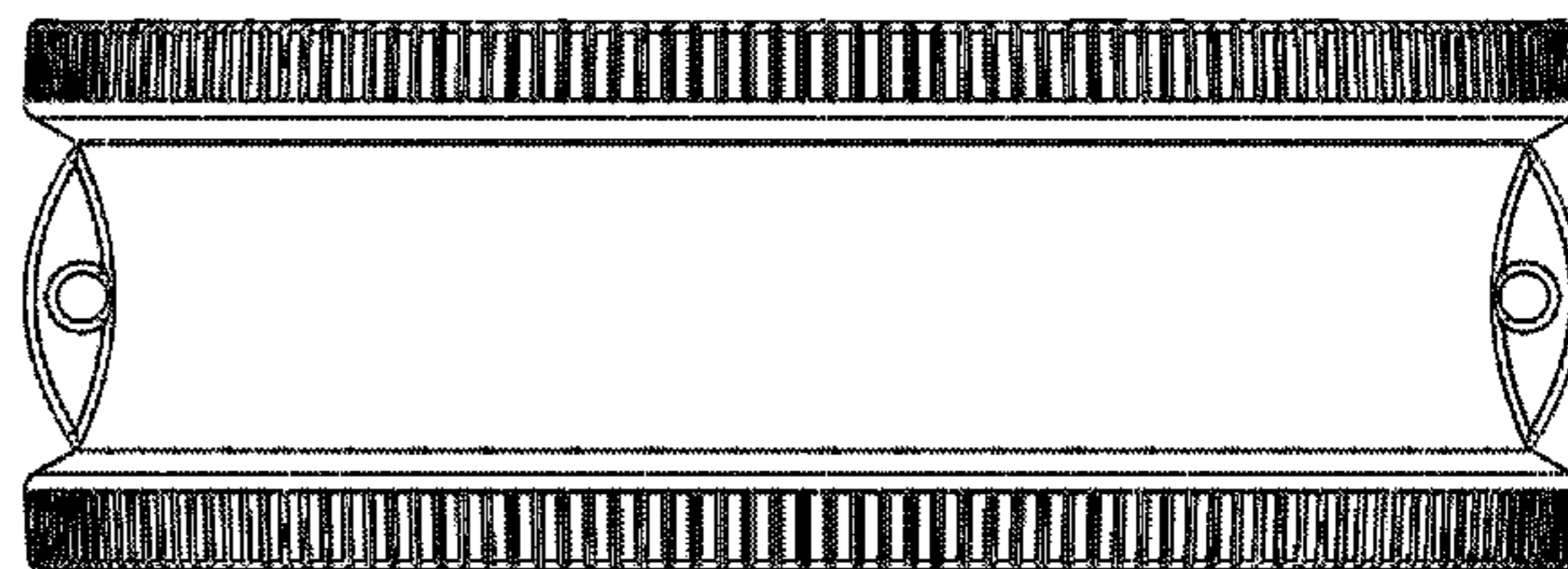
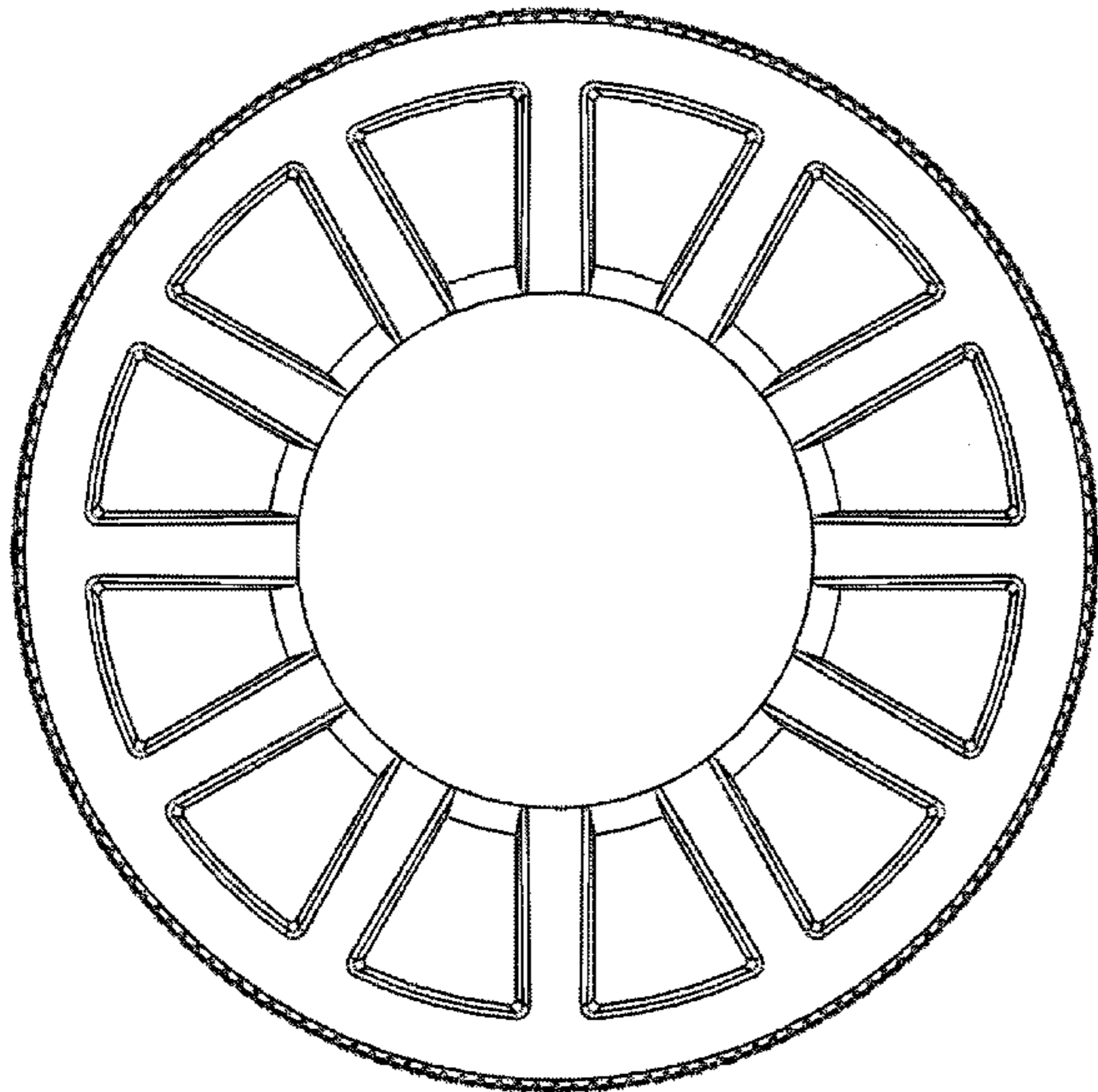
(57) **CLAIM**

The ornamental design for an illuminated signaling device, as shown.

DESCRIPTION

FIG. 1 is a bottom view of a illuminated signaling device showing my new design;
FIG. 2 is a horizontal side view of thereof,
FIG. 3 is a right/left side isometric view thereof;
FIG. 4 is a vertical side view thereof; and,
FIG. 5 is a top view of thereof.

1 Claim, 5 Drawing Sheets



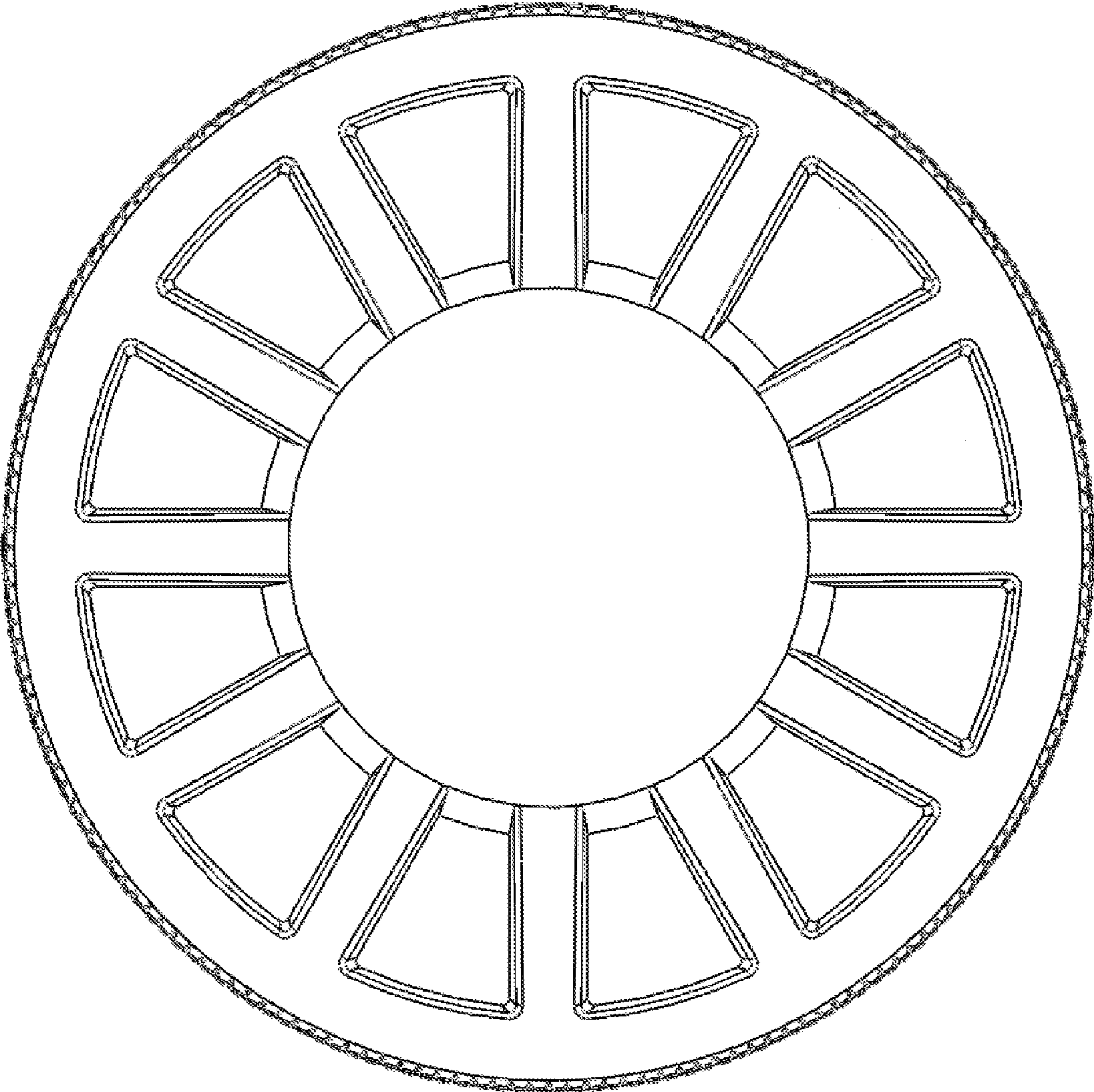


FIG. 1

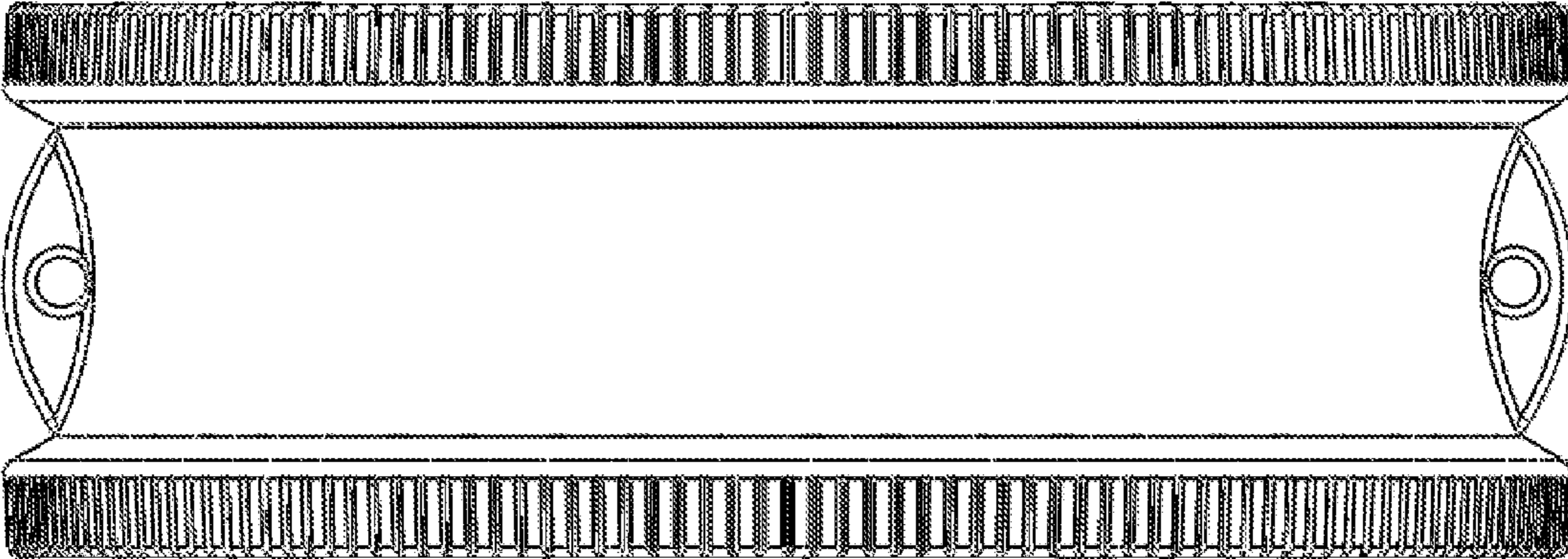


FIG. 2

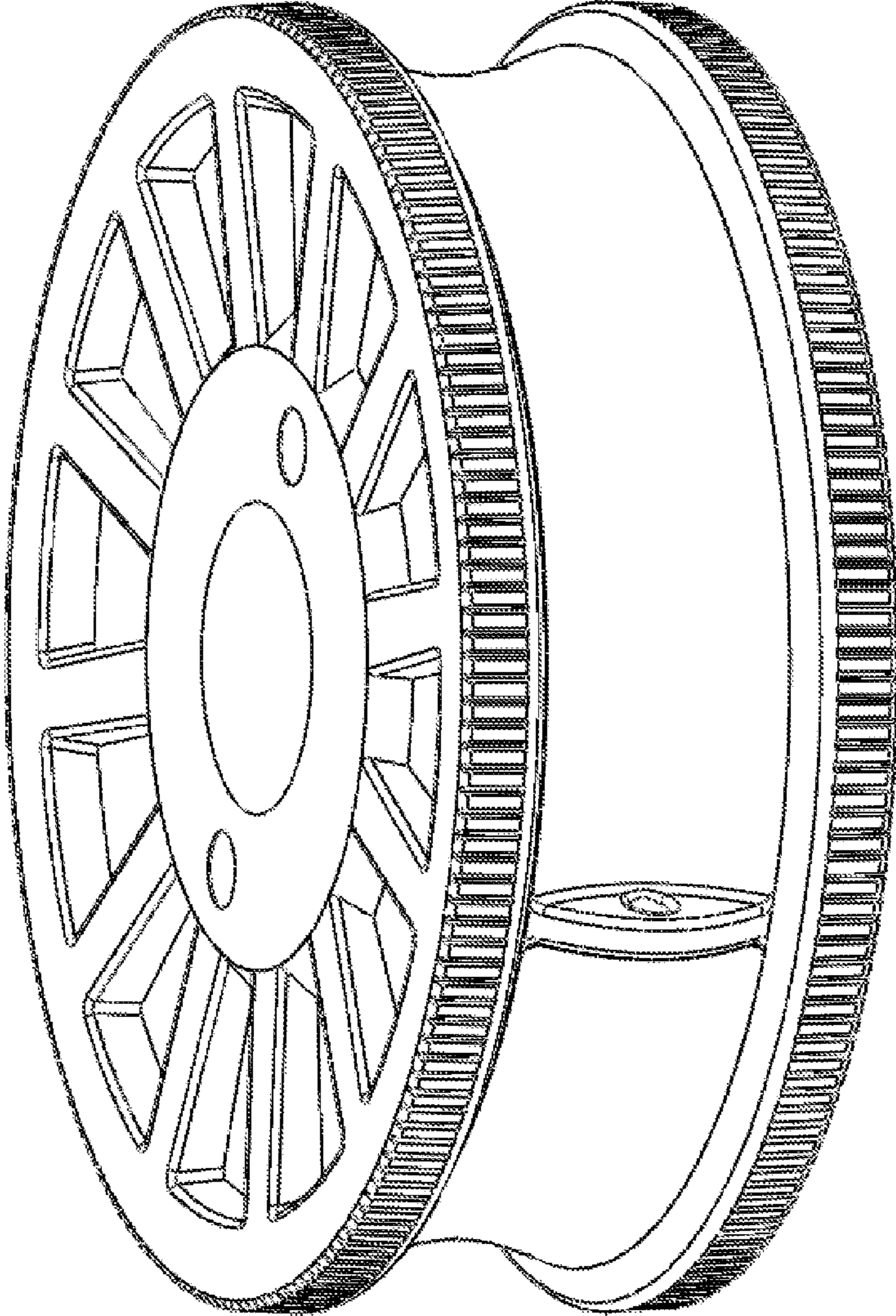


FIG. 3

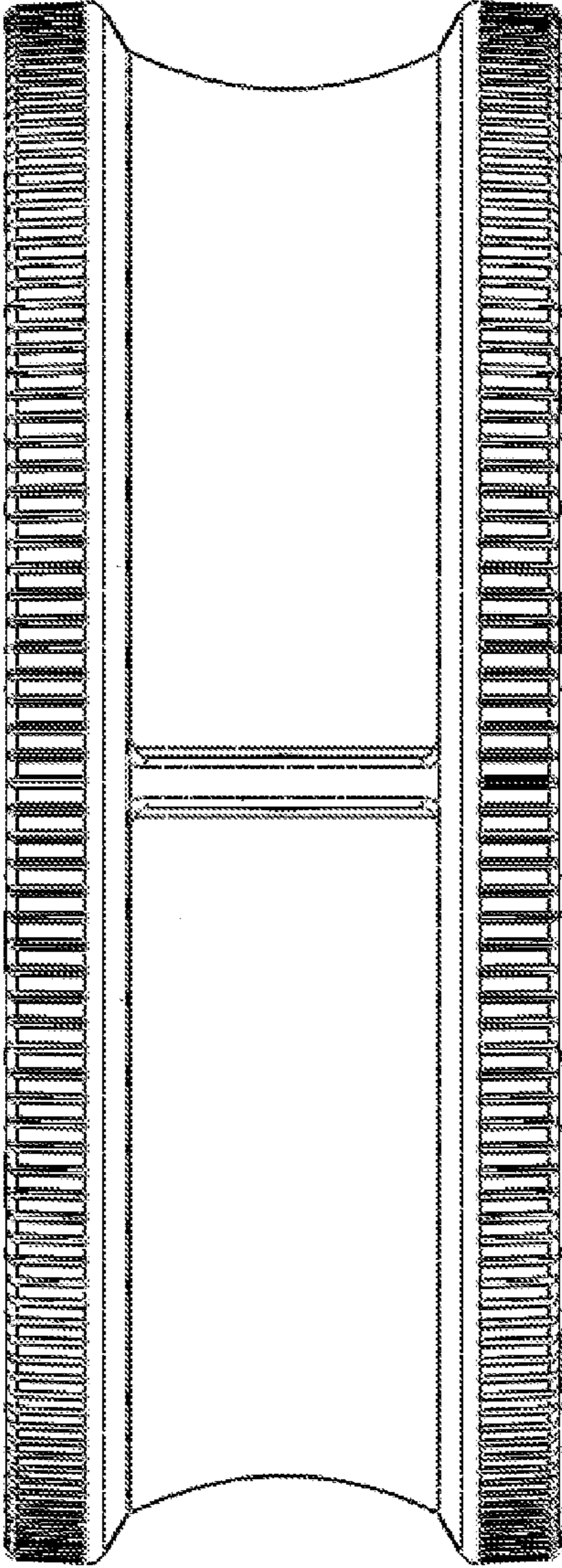


FIG. 4

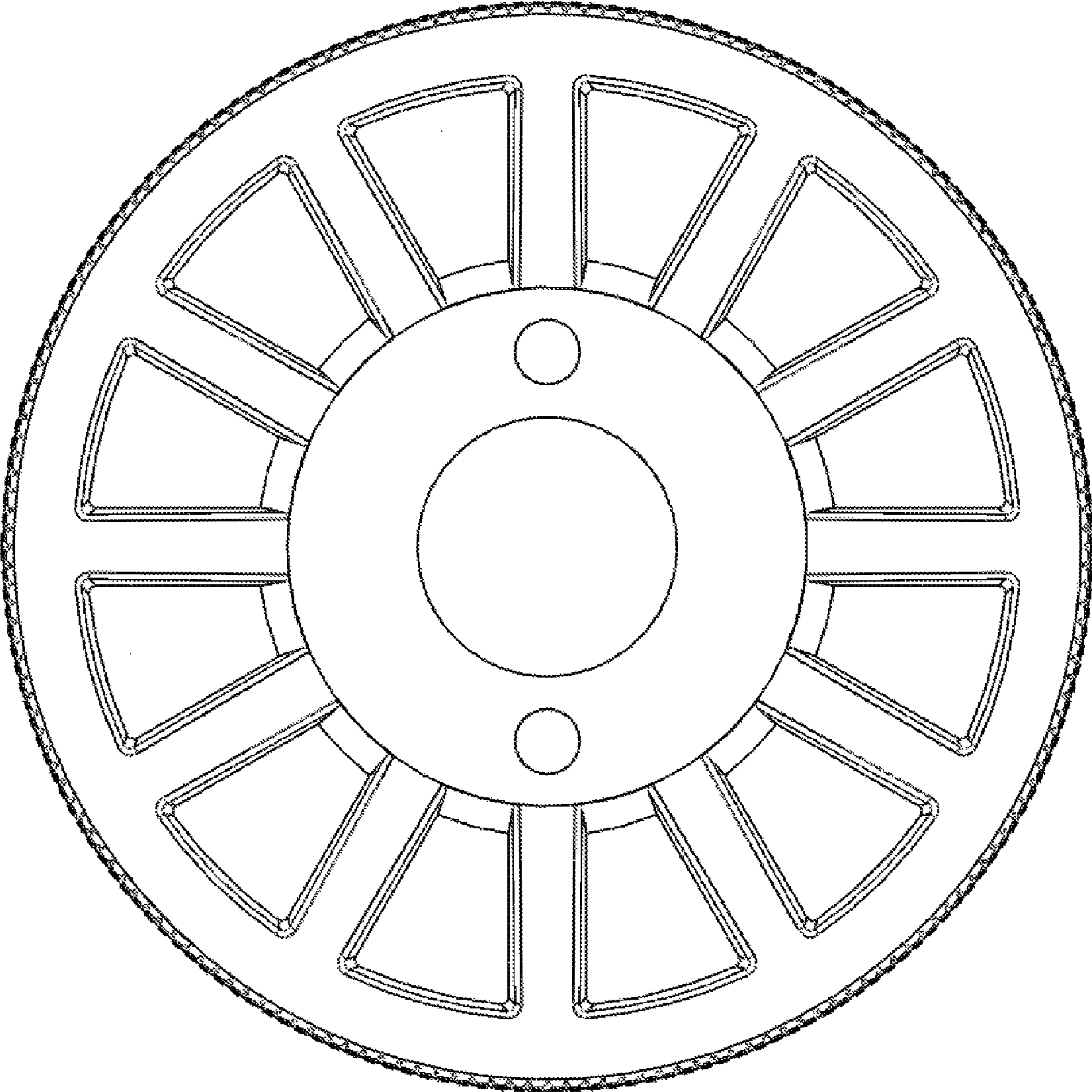


FIG. 5