



US00D669804S

(12) **United States Design Patent**  
**Ashino**

(10) **Patent No.:** **US D669,804 S**

(45) **Date of Patent:** **\*\* Oct. 30, 2012**

(54) **PRESSURE SENSOR**

(75) Inventor: **Kimihiro Ashino**, Kanagawa (JP)

(73) Assignee: **Fuji Electric Co., Ltd.**, Kanagawa (JP)

(\*\*) Term: **14 Years**

(21) Appl. No.: **29/420,444**

(22) Filed: **May 9, 2012**

(30) **Foreign Application Priority Data**

Nov. 11, 2011 (JP) ..... 2011-026057

(51) **LOC (9) Cl.** ..... **10-04**

(52) **U.S. Cl.** ..... **D10/85**

(58) **Field of Classification Search** ..... D10/85;  
73/706, 715, 716, 717, 723, 725, 756

See application file for complete search history.

(56) **References Cited**

**U.S. PATENT DOCUMENTS**

6,604,430 B2 \* 8/2003 Saito et al. .... 73/756

D611,855 S \* 3/2010 Minagawa et al. .... D10/85

D611,856 S \* 3/2010 Minagawa et al. .... D10/85

8,082,797 B2 \* 12/2011 Teli et al. .... 73/716

\* cited by examiner

*Primary Examiner* — Antoine D Davis

(74) *Attorney, Agent, or Firm* — Young & Thompson

(57) **CLAIM**

The ornamental design for a pressure sensor, as shown and described.

**DESCRIPTION**

FIG. 1 is a perspective view of front, bottom and left side of a pressure sensor showing our new design;

FIG. 2 is a perspective view of rear, bottom and right side thereof;

FIG. 3 is a front view thereof;

FIG. 4 is a rear view thereof;

FIG. 5 is a left side view thereof;

FIG. 6 is a right side view thereof;

FIG. 7 is a top view thereof; and,

FIG. 8 is a bottom view thereof.

**1 Claim, 6 Drawing Sheets**

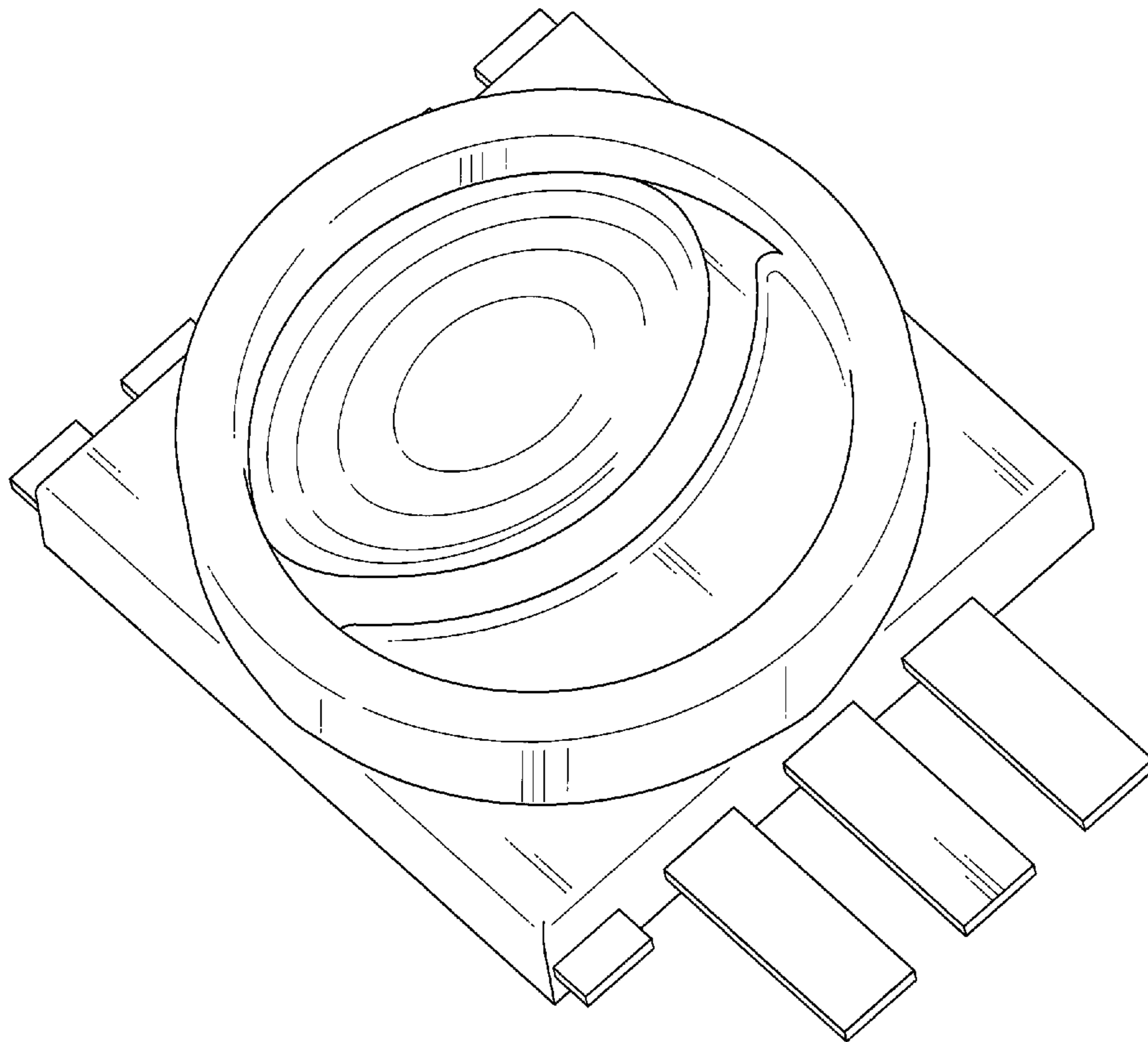


Fig. 1

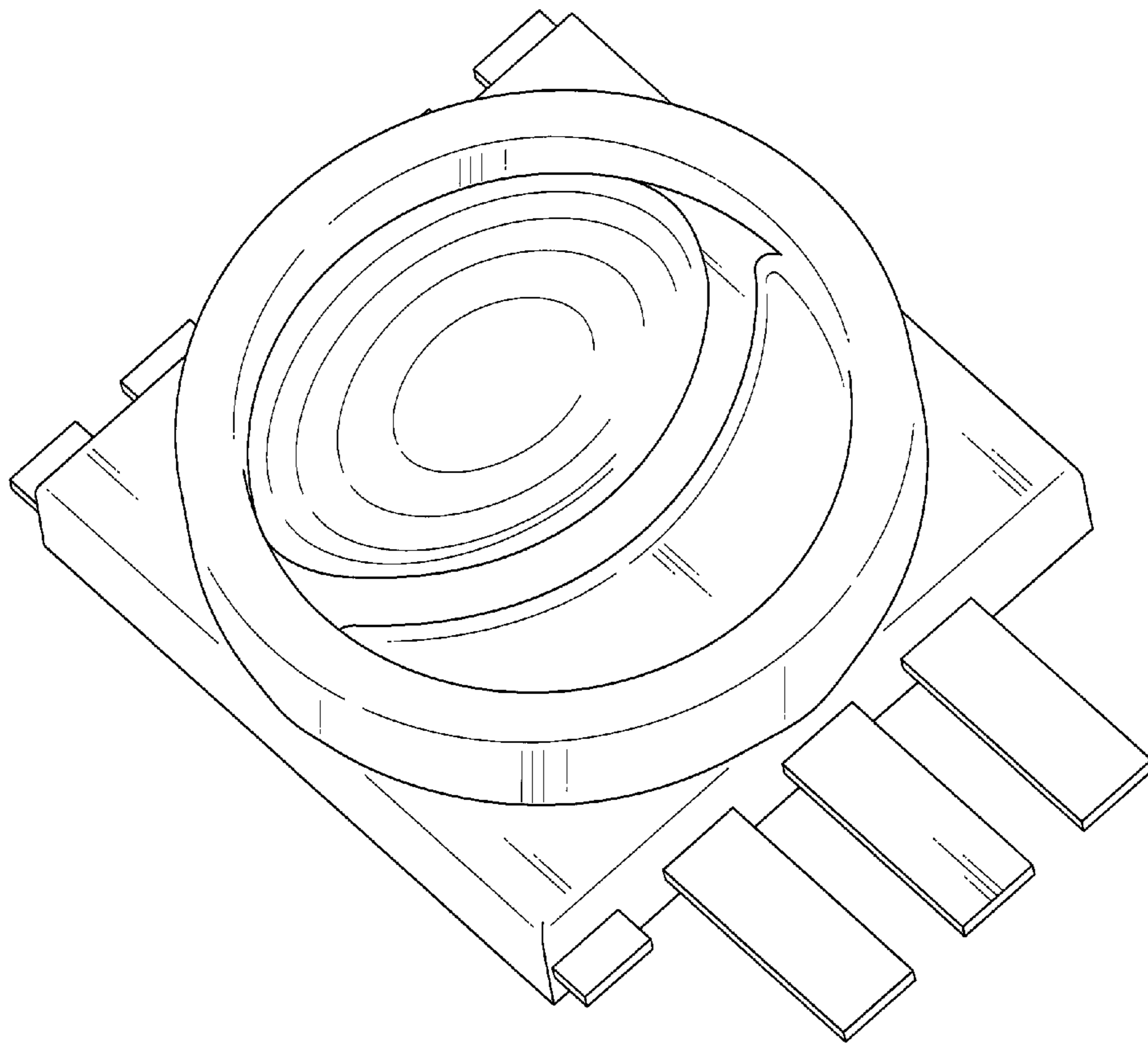


Fig. 2

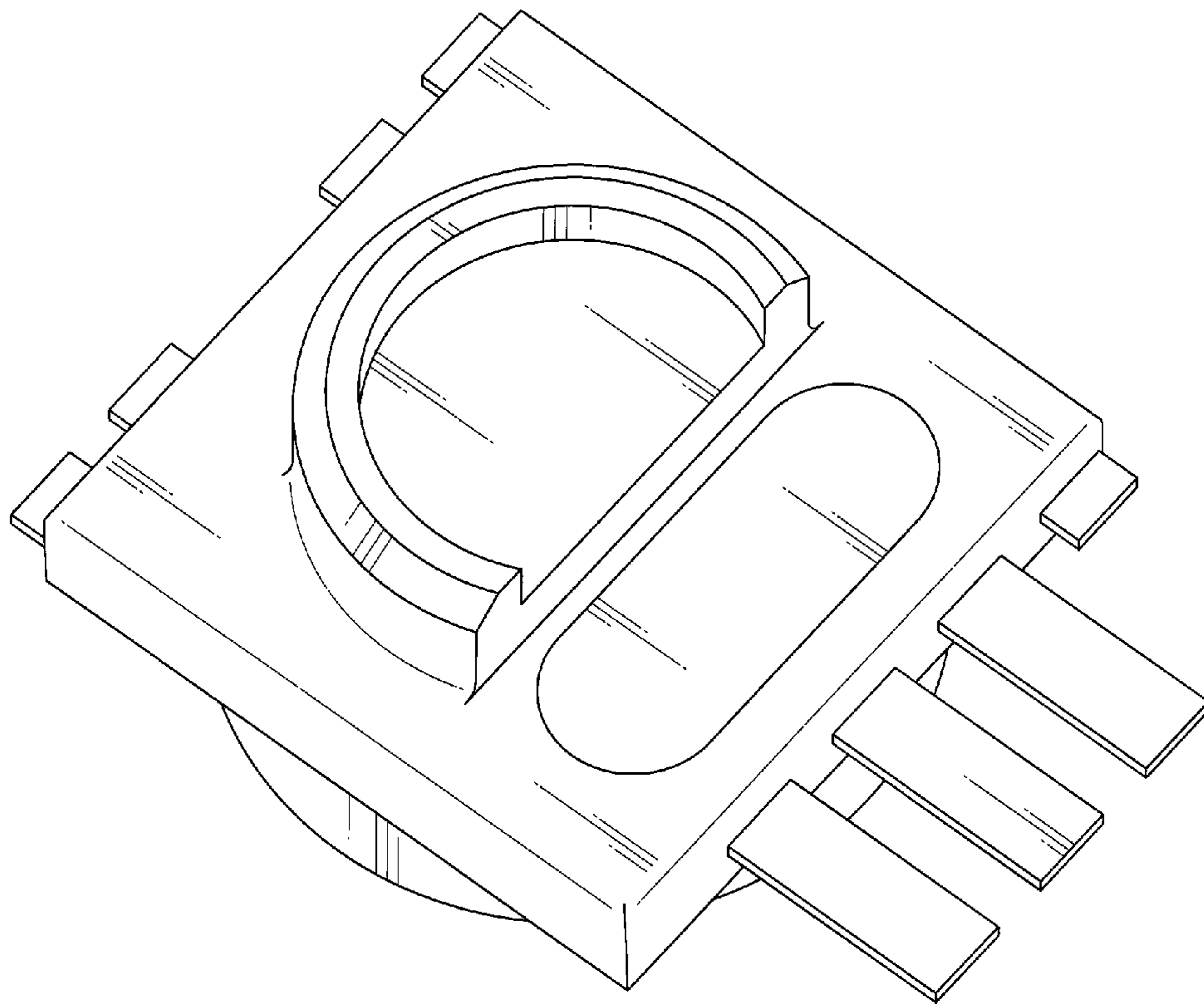


Fig. 3

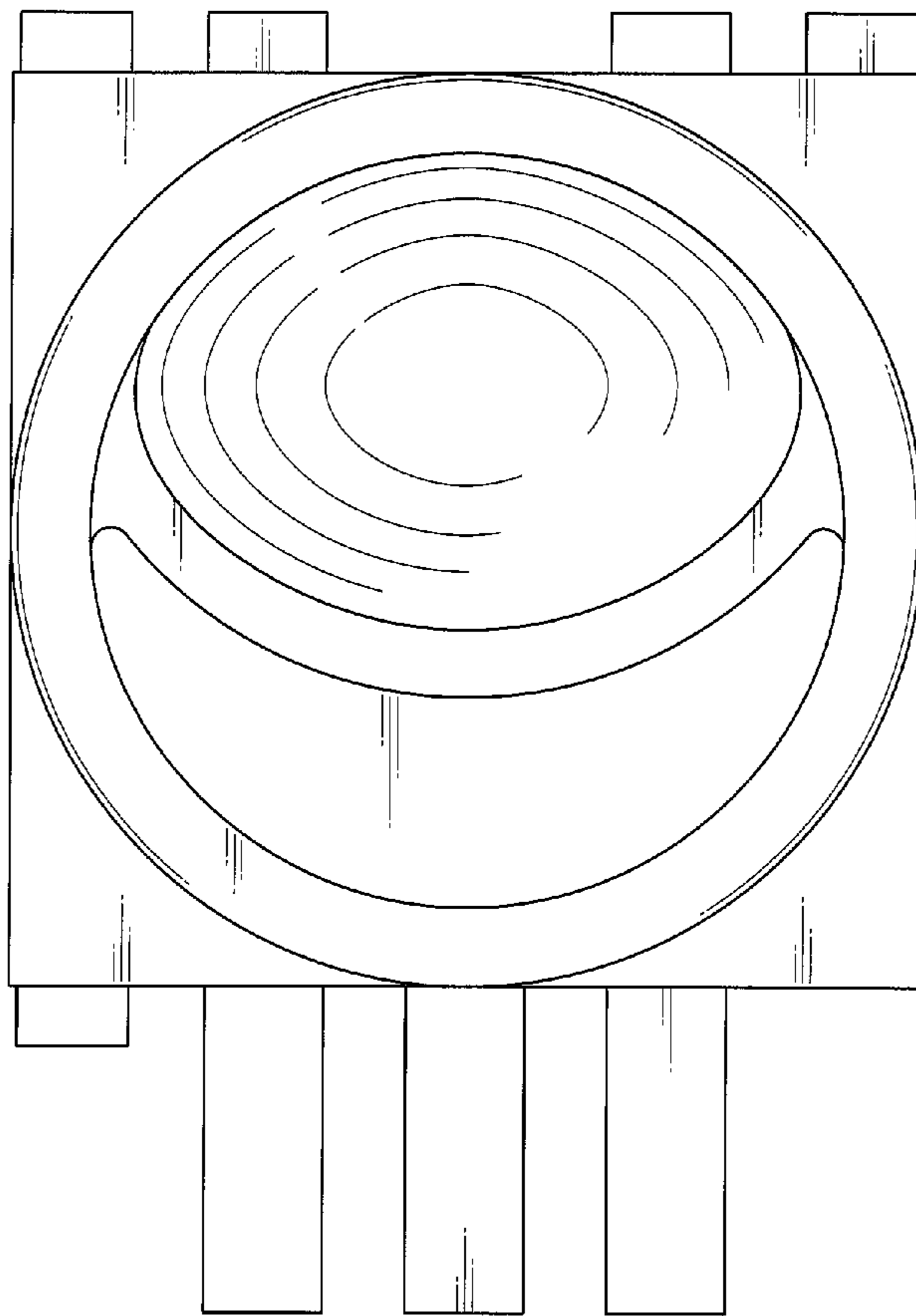


Fig. 4

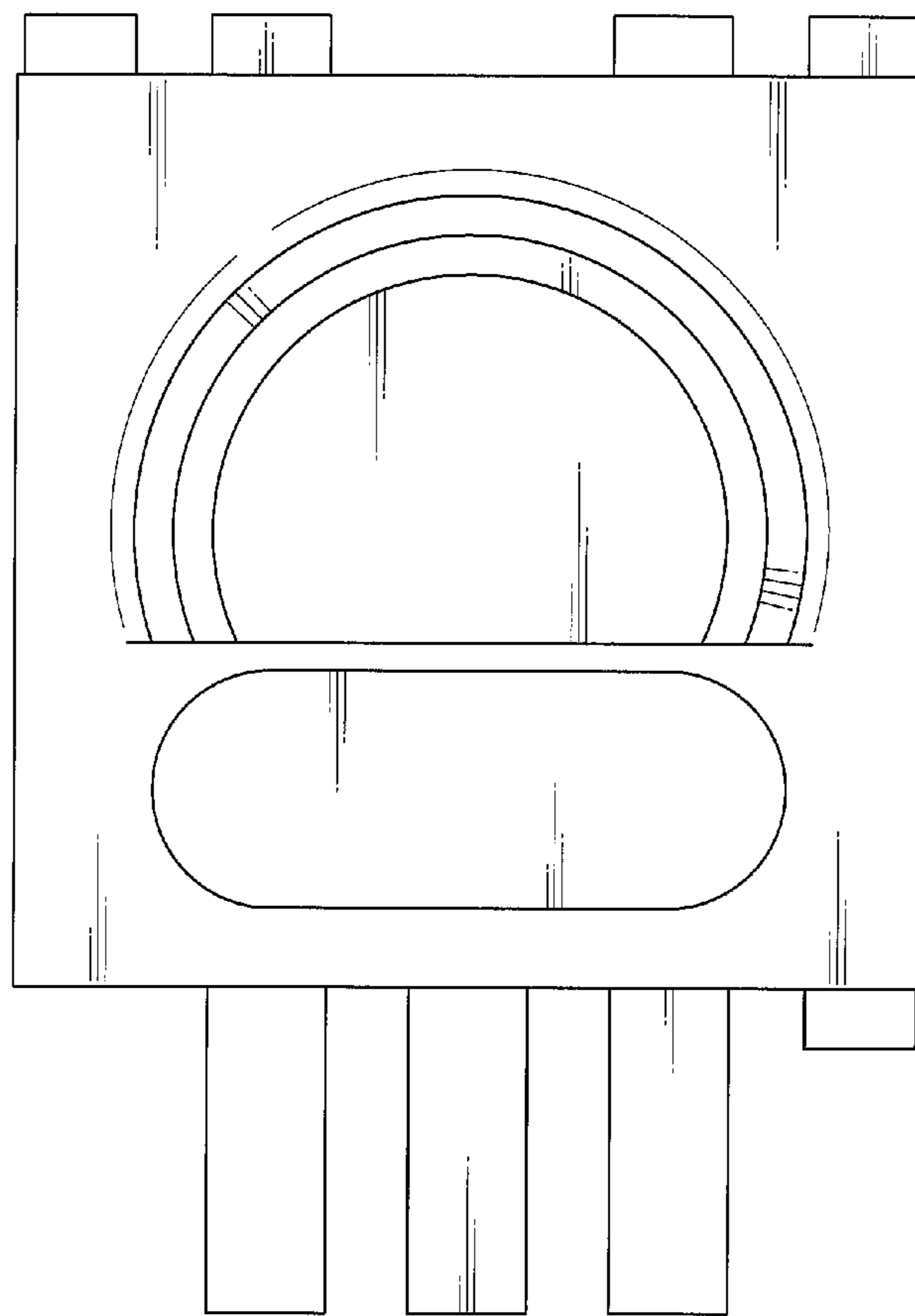


Fig. 5

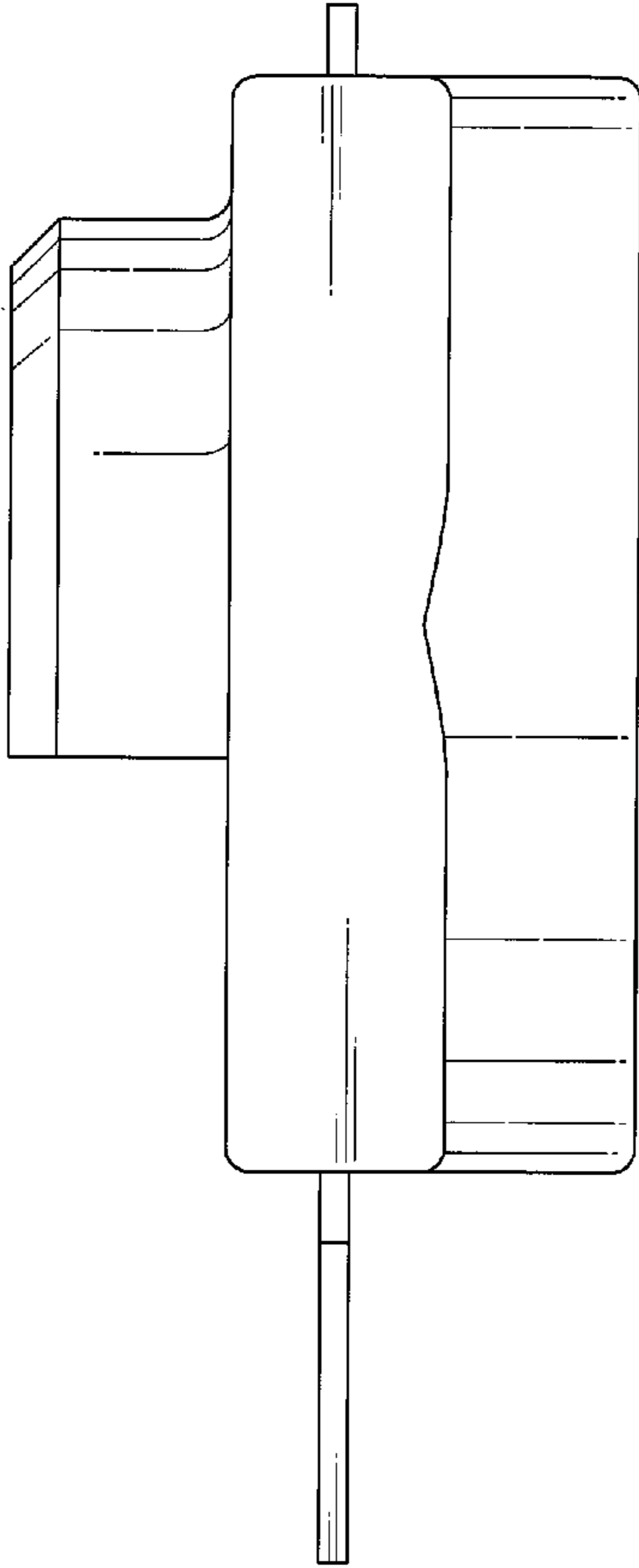


Fig. 6

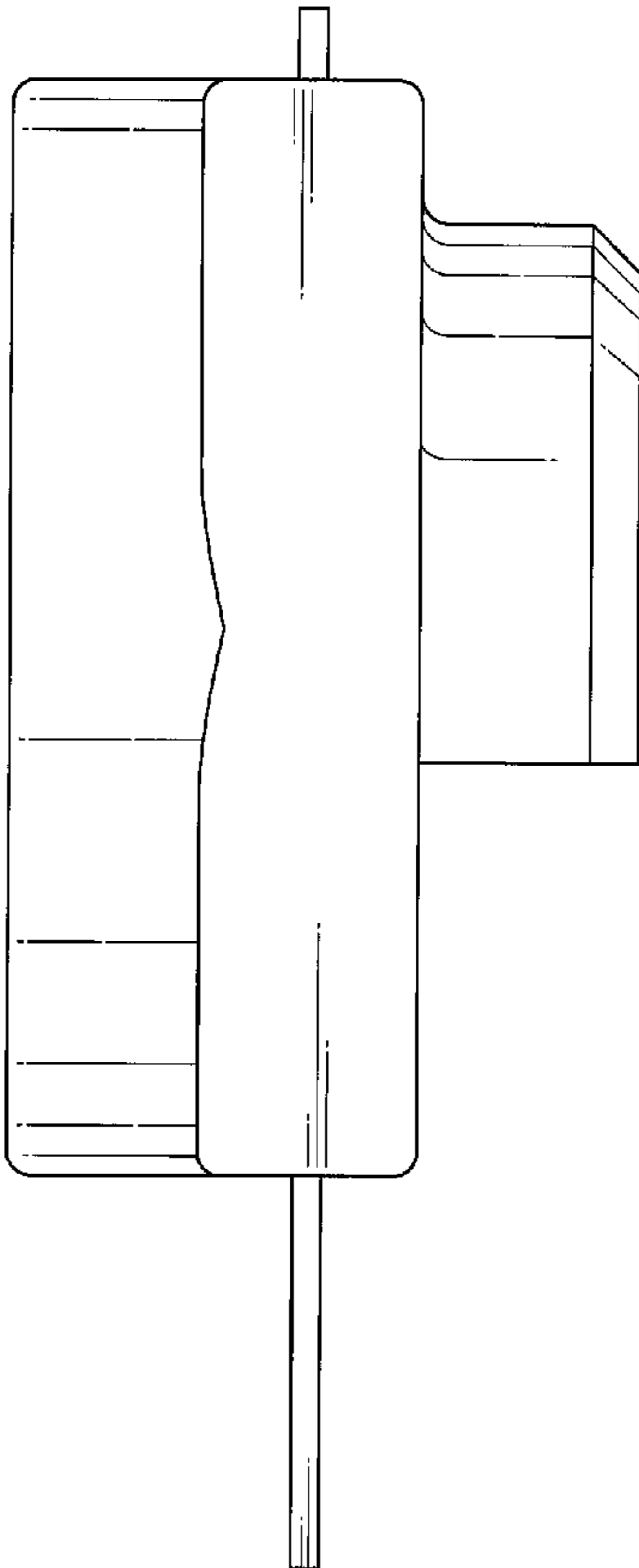


Fig. 7

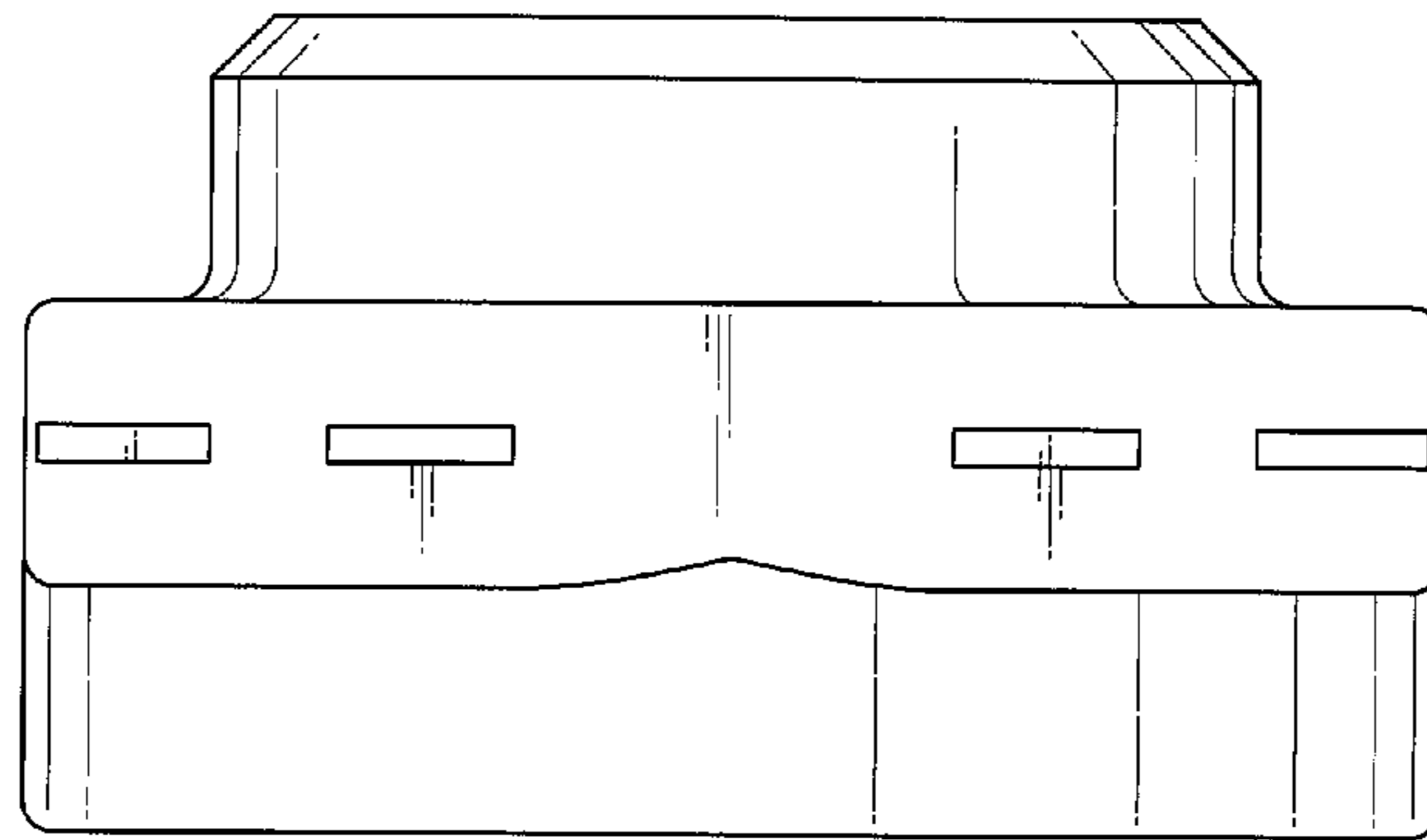


Fig. 8

