



US00D669803S

(12) **United States Design Patent**
Ng et al.

(10) **Patent No.:** **US D669,803 S**
(45) **Date of Patent:** **** Oct. 30, 2012**

(54) **OXYGEN SENSOR ADAPTOR**

DESCRIPTION

(75) Inventors: **Eva Ng**, Erskineville (AU); **Arthur Kin-Wai Yee**, Pymble (AU)
(73) Assignee: **ResMed Paris SAS**, Moissy Cramayel (FR)
(**) Term: **14 Years**
(21) Appl. No.: **29/371,063**
(22) Filed: **Oct. 6, 2010**
(51) **LOC (9) Cl.** **10-04**
(52) **U.S. Cl.** **D10/81**
(58) **Field of Classification Search** D10/53,
D10/81; 73/23.31, 23.32, 31.05, 866.5; 204/412,
204/424-426, 428, 431
See application file for complete search history.

(56) **References Cited**

U.S. PATENT DOCUMENTS

D302,529 S * 8/1989 Grady D10/81
D307,559 S * 5/1990 Parker et al. D10/81
D345,706 S * 4/1994 Martell D10/81
D546,720 S * 7/2007 Goh D10/81
8,110,081 B2 * 2/2012 Fitzgerald et al. 204/431

* cited by examiner

Primary Examiner — Antoine D Davis

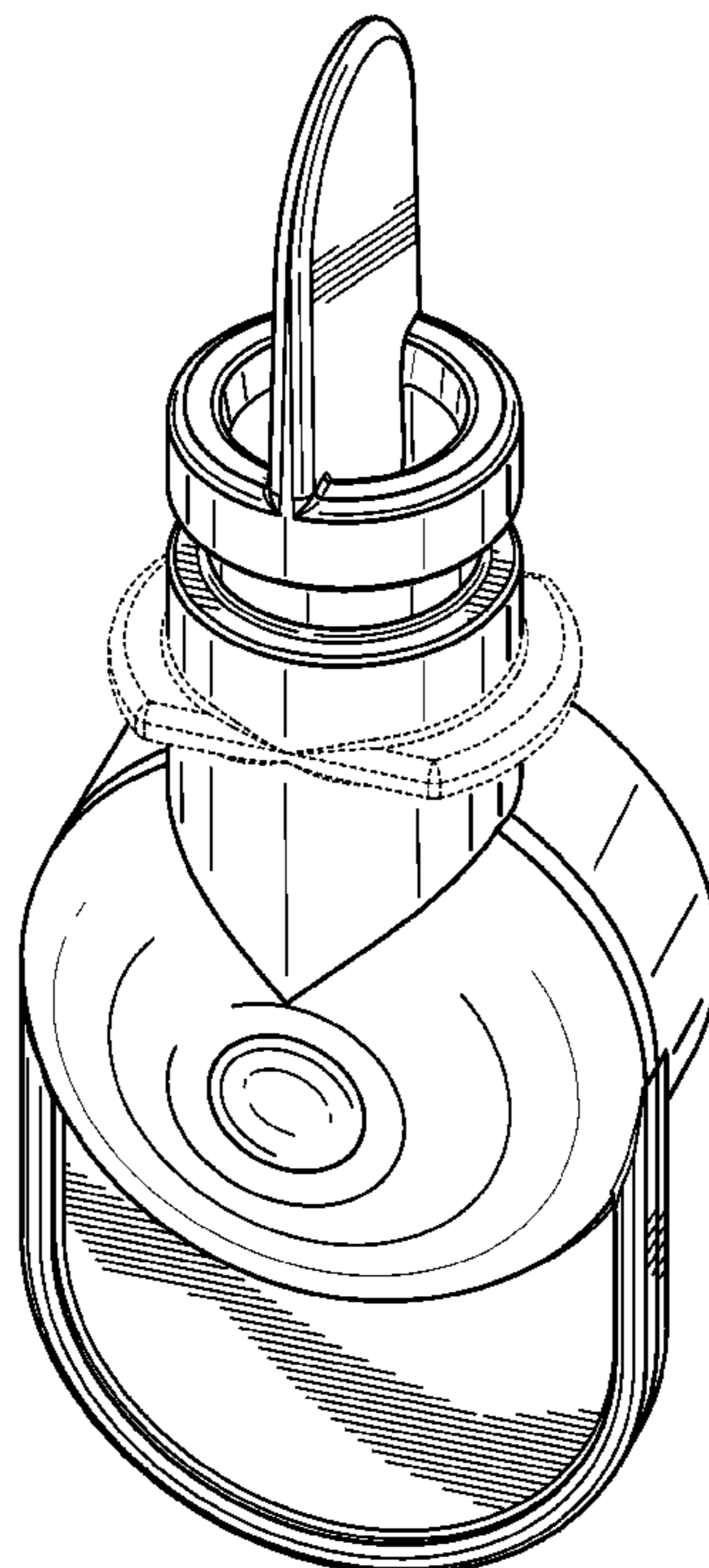
(74) *Attorney, Agent, or Firm* — Nixon & Vanderhye P.C.

(57) **CLAIM**

The ornamental design for an oxygen sensor adaptor, as shown and described.

FIG. 1 is a front perspective view of an oxygen sensor adaptor showing a first embodiment of our new ornamental design; FIG. 2 is a front view thereof; FIG. 3 is a rear view thereof; FIG. 4 is a top view thereof; FIG. 5 is a bottom view thereof; FIG. 6 is a right side view of FIG. 2 with the left side view thereof being a mirror image thereof; FIG. 7 is reverse perspective view thereof; FIG. 8 is a reduced scale perspective view thereof, shown in a sample environmental setting; FIG. 9 is a cross sectional view taken along section 9-9 of FIG. 2; FIG. 10 is a cross sectional view taken along section 10-10 of FIG. 2; FIG. 11 is a front perspective view of an oxygen sensor adaptor showing a second embodiment of our new ornamental design; FIG. 12 is a front view thereof; FIG. 13 is a rear view thereof; FIG. 14 is a top view thereof; FIG. 15 is a bottom view thereof; FIG. 16 is a right side view of FIG. 12 with the left side view thereof being a mirror image thereof; and, FIG. 17 is reverse perspective view thereof. The broken lines shown in the figures of the oxygen sensor adaptor show sample environment or structure and do not form a part of the claimed design.

1 Claim, 14 Drawing Sheets



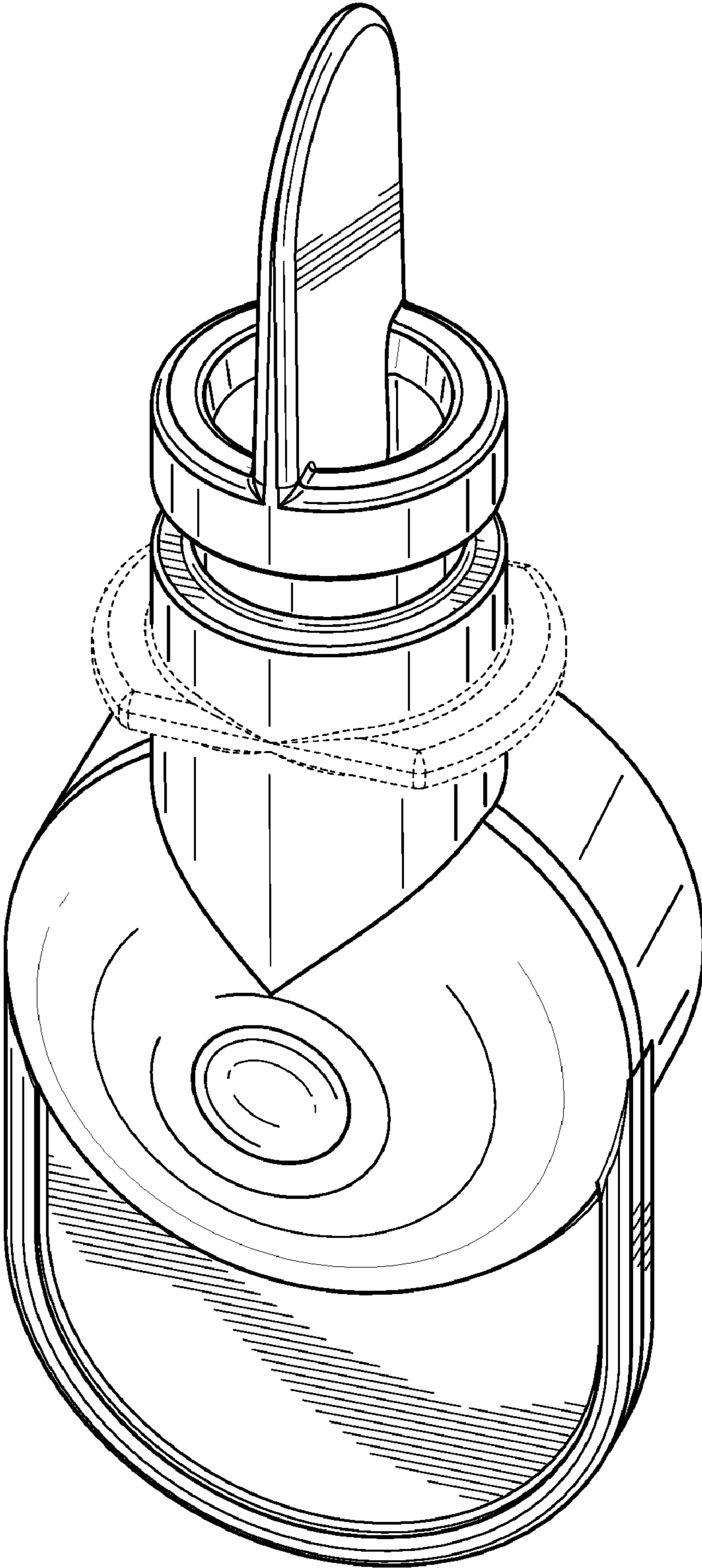


FIG. 1

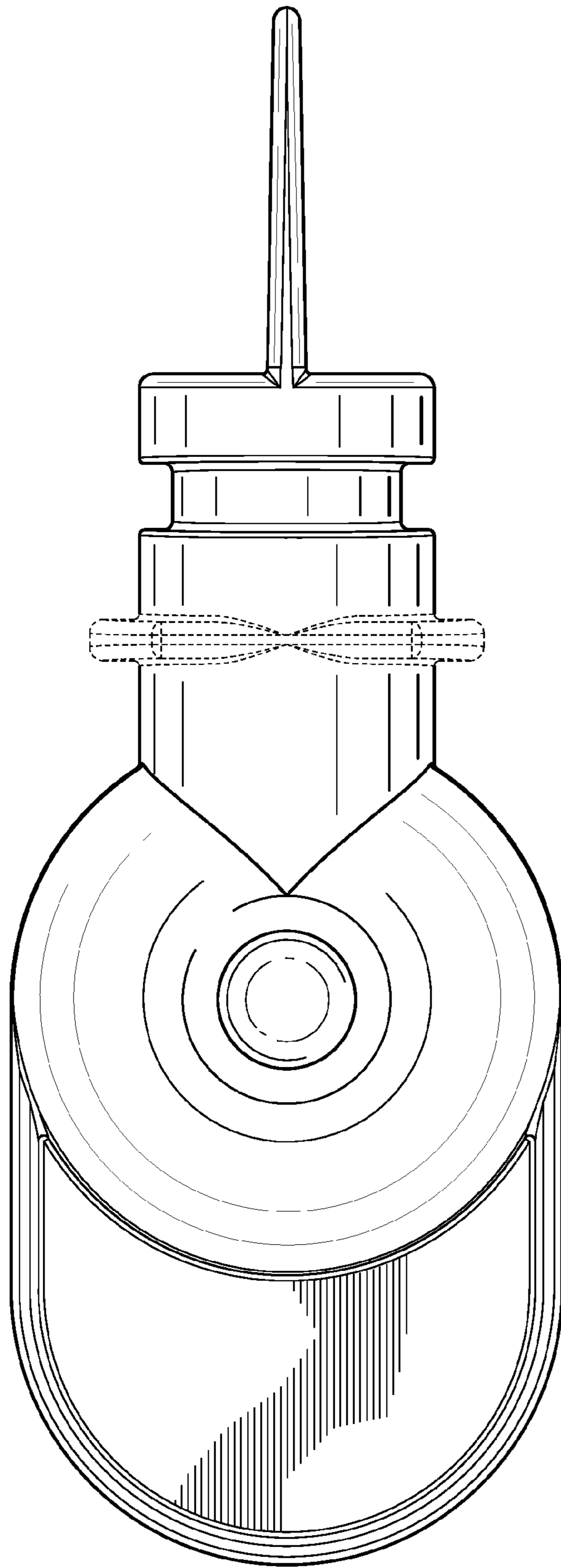


FIG. 2

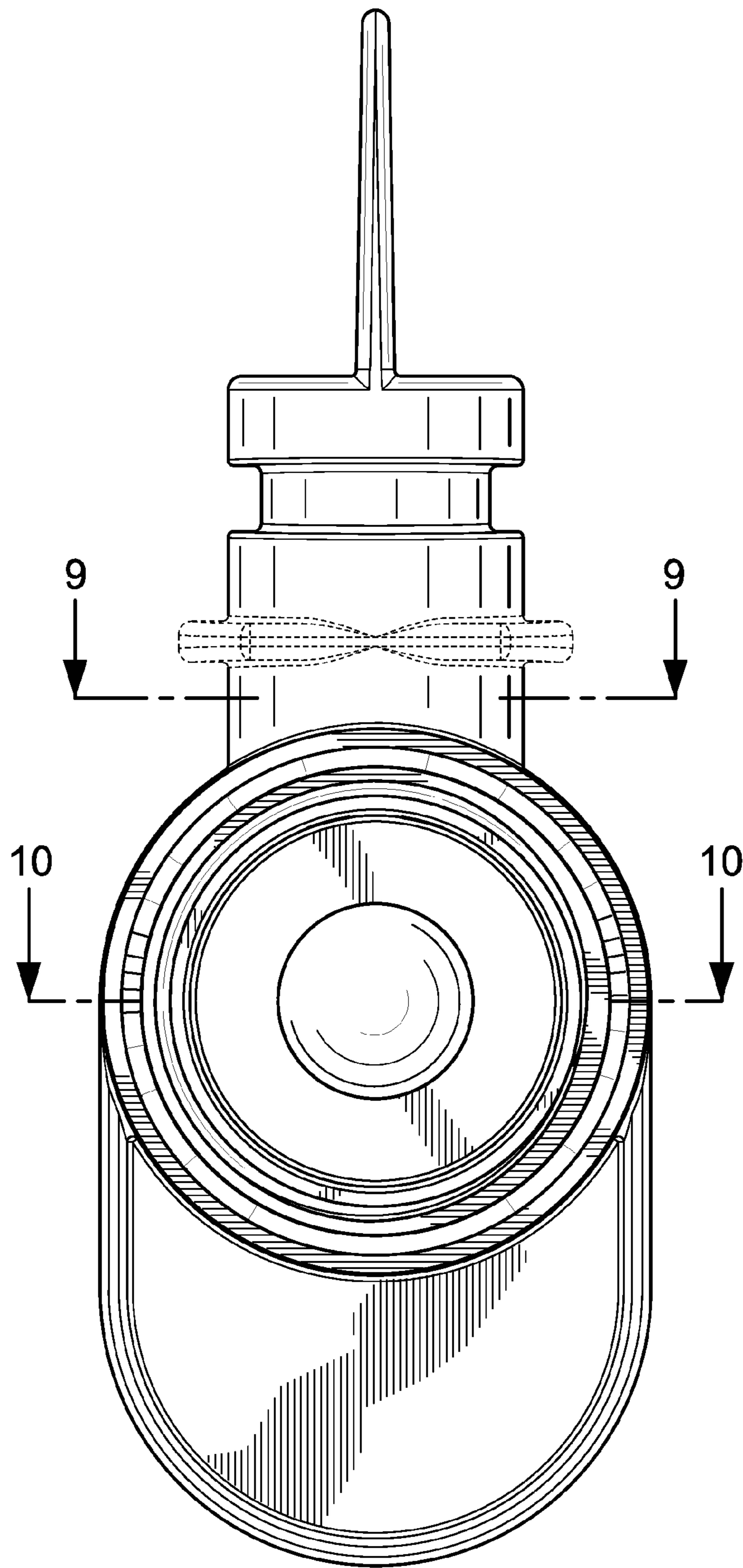


FIG. 3

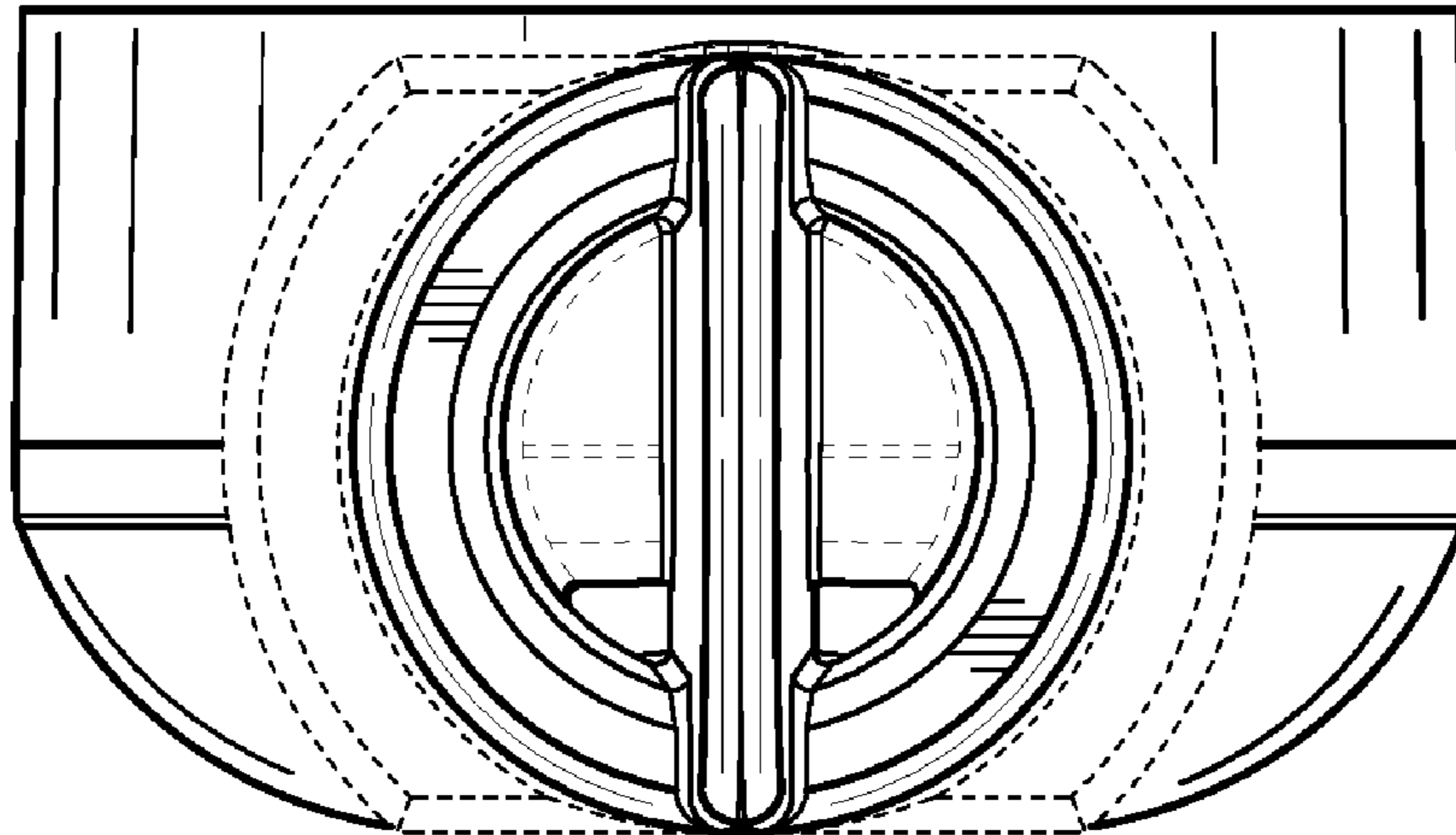


FIG. 4

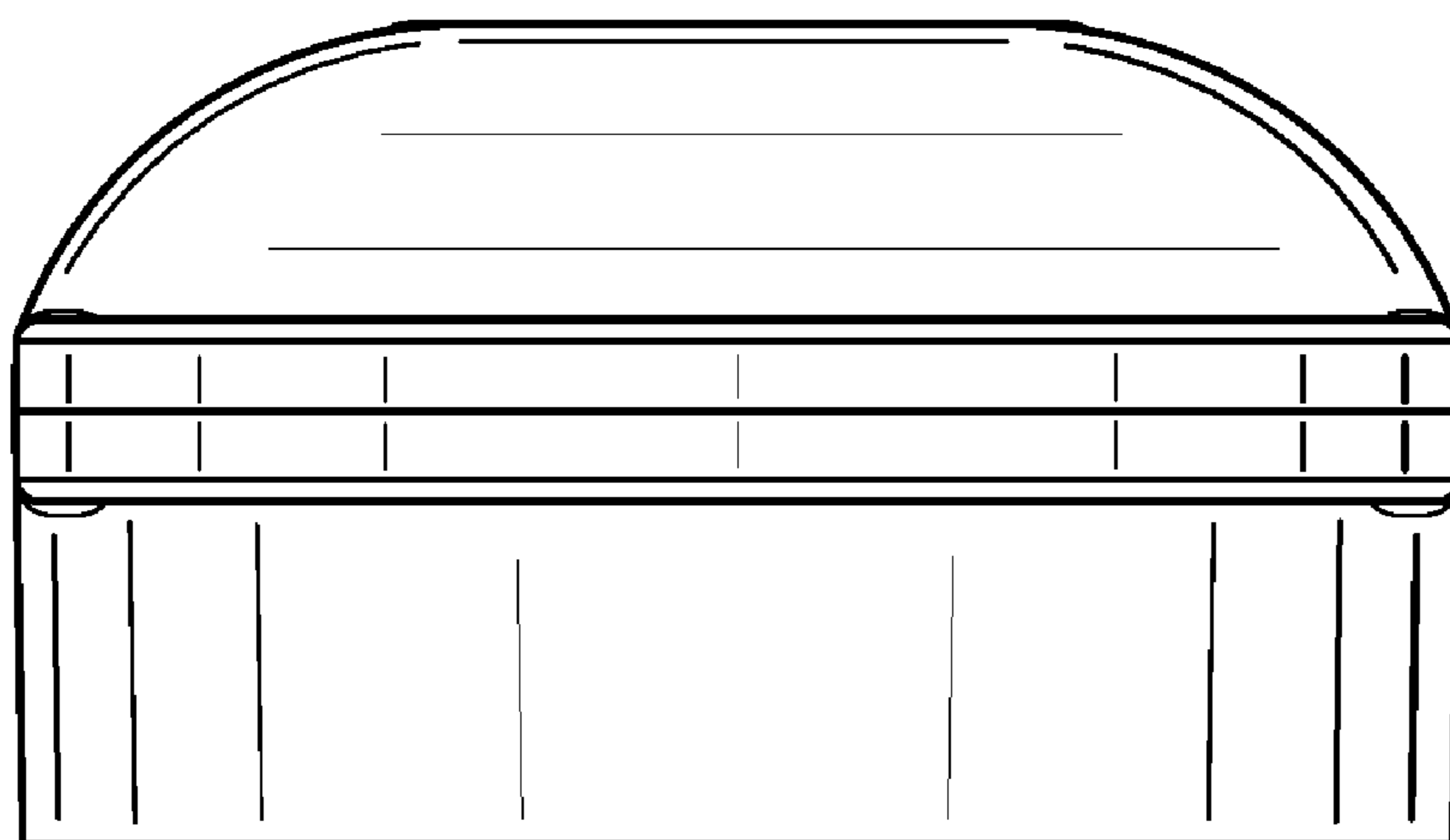


FIG. 5

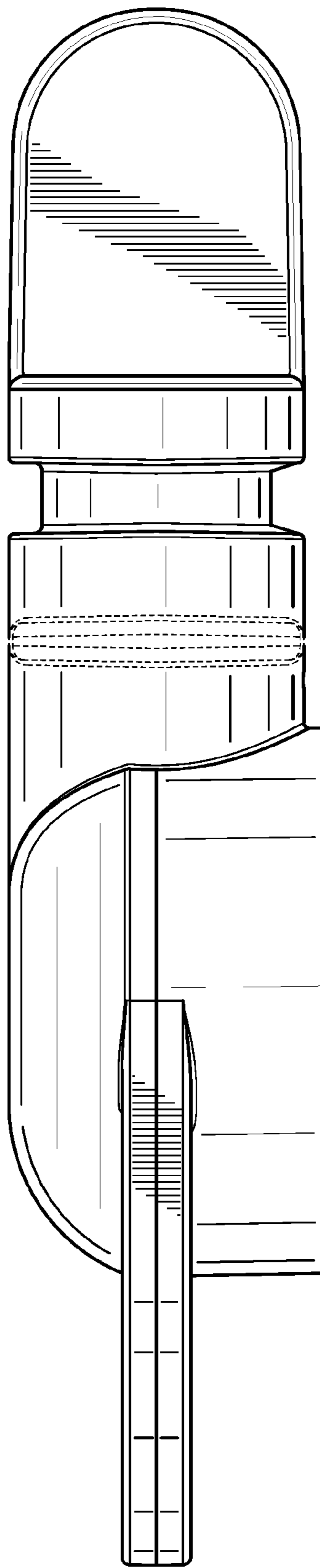


FIG. 6

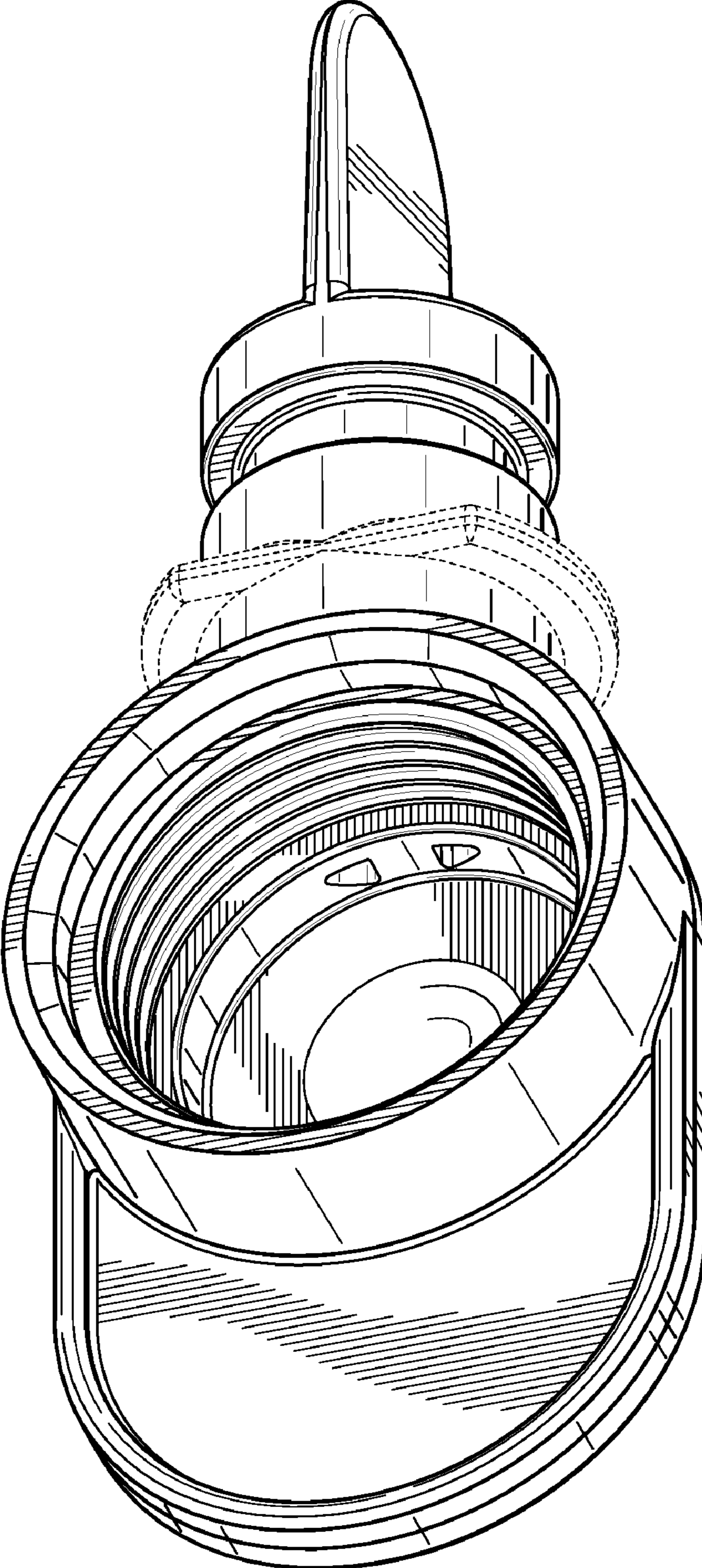


FIG. 7

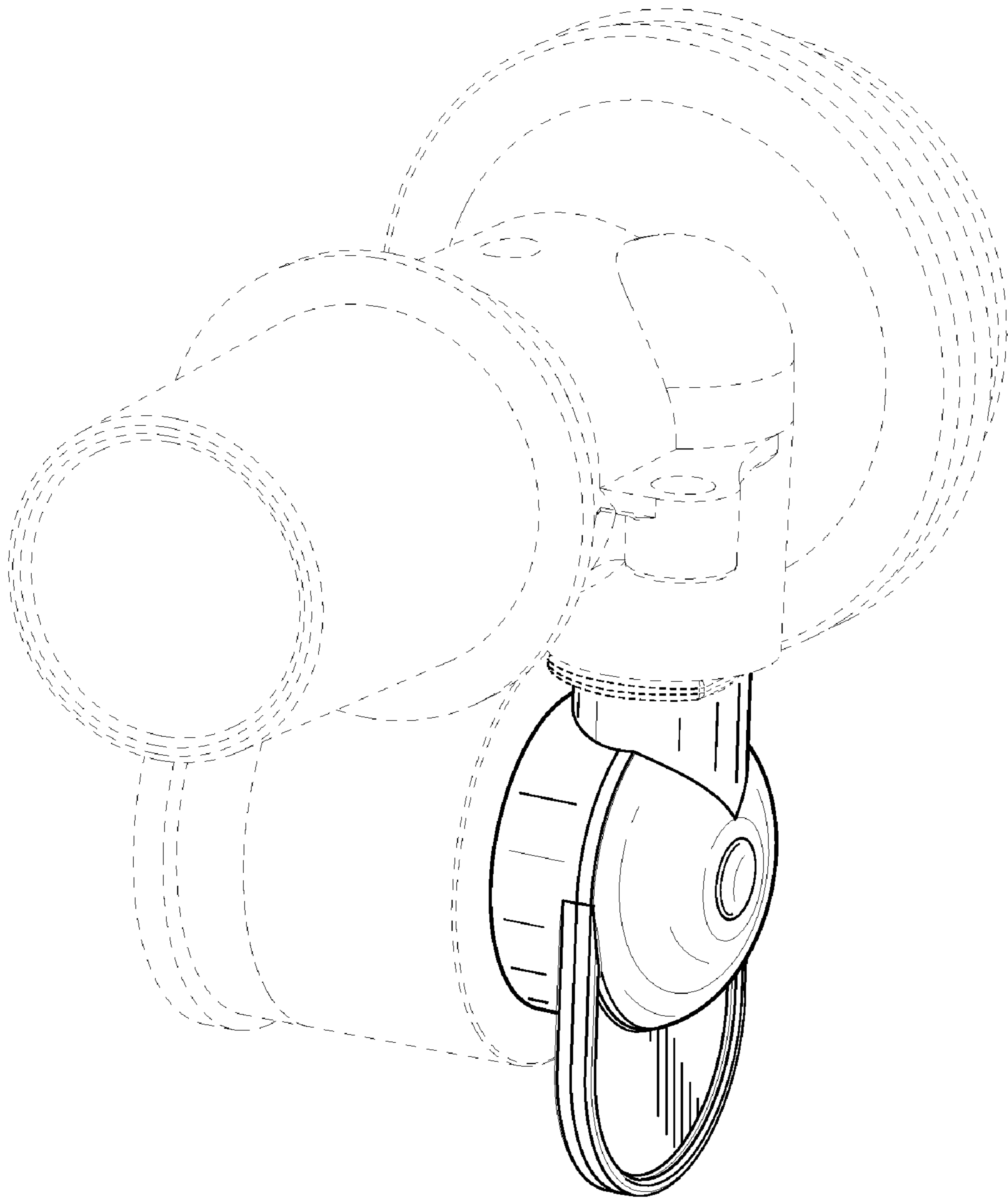


Fig. 8

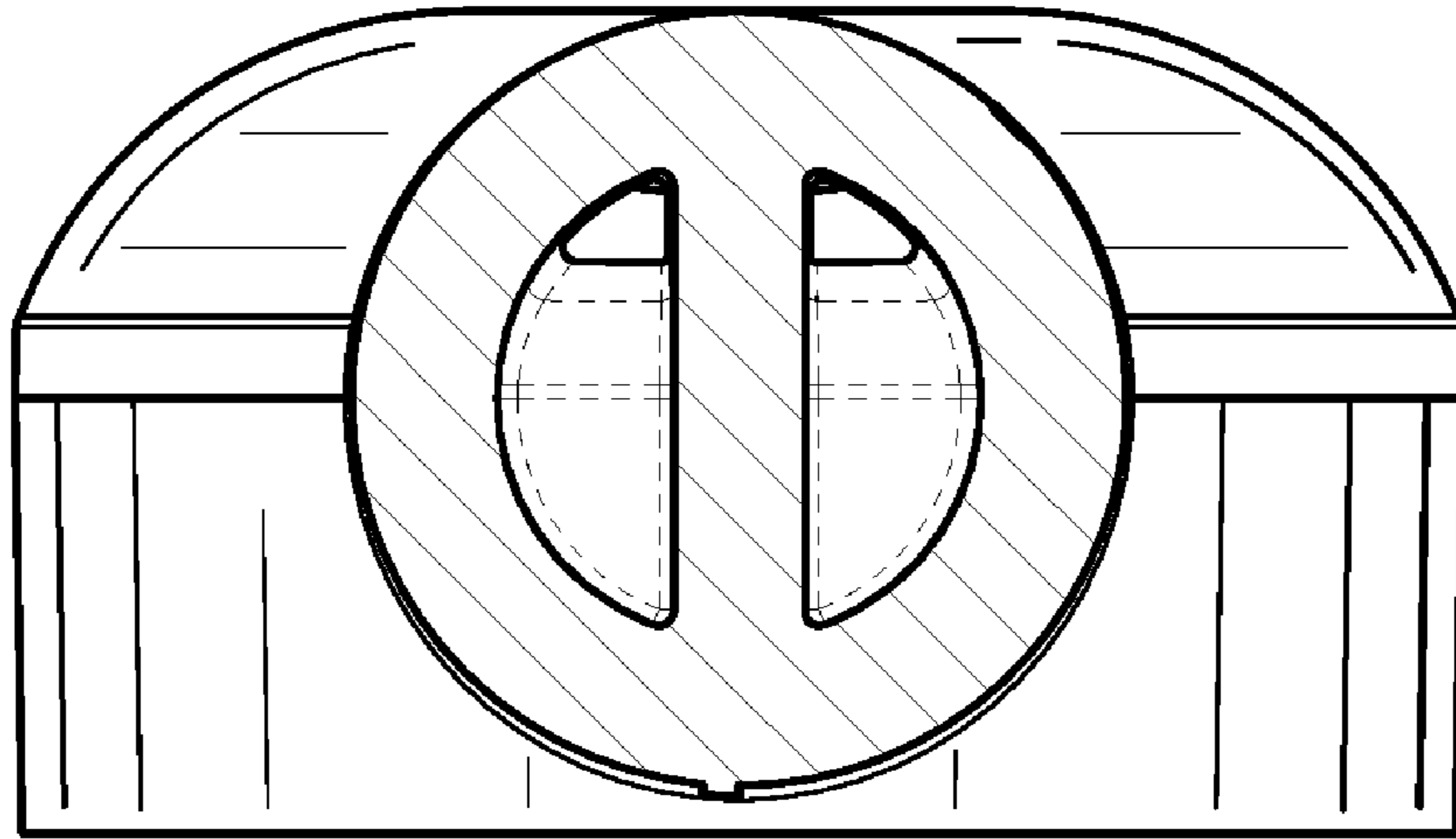


FIG. 9

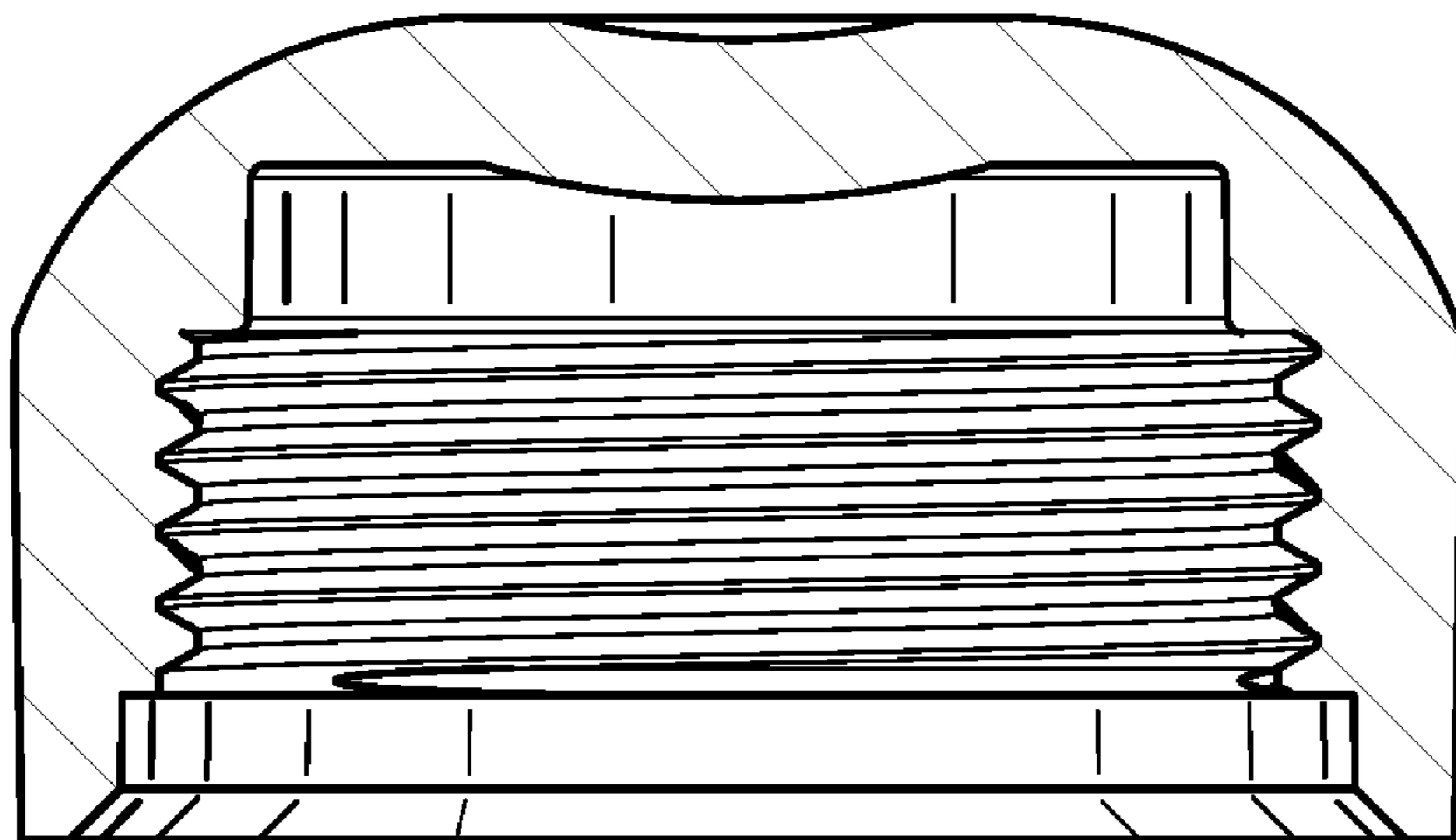


FIG. 10

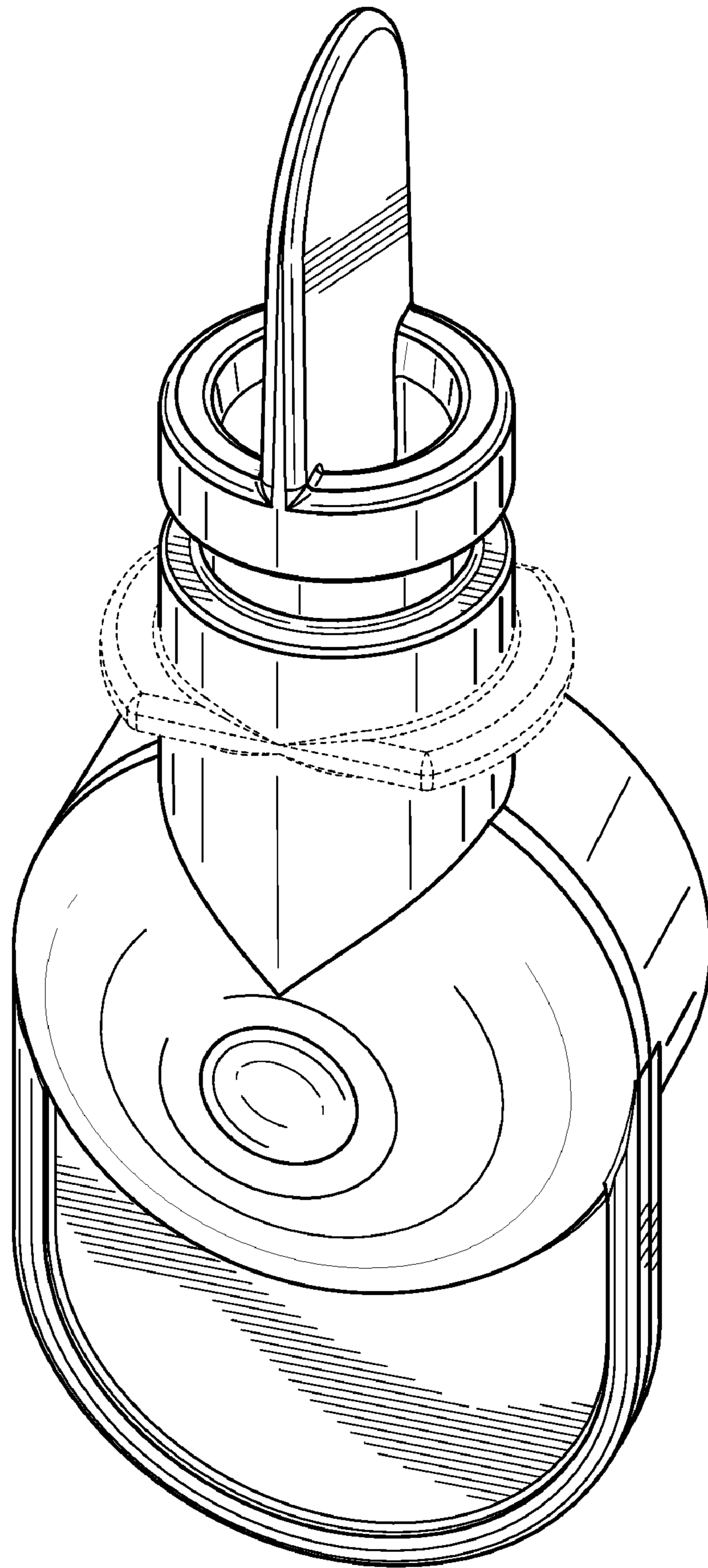


FIG. 11

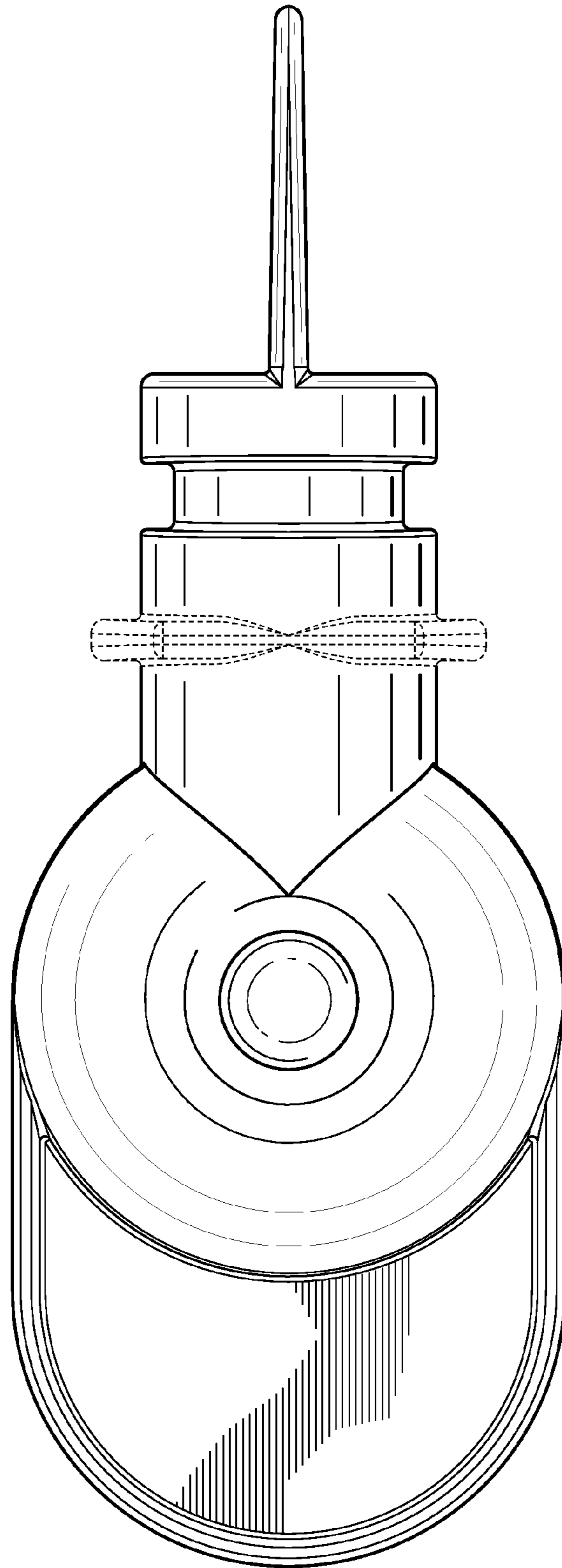


FIG. 12

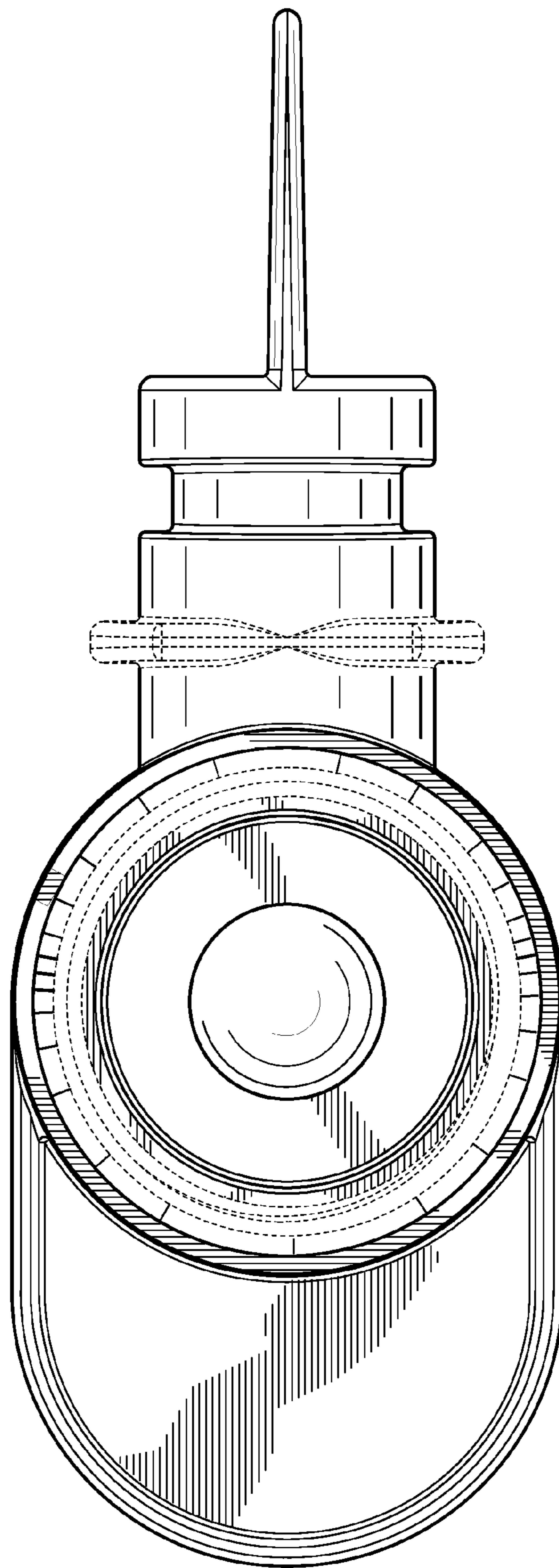


FIG. 13

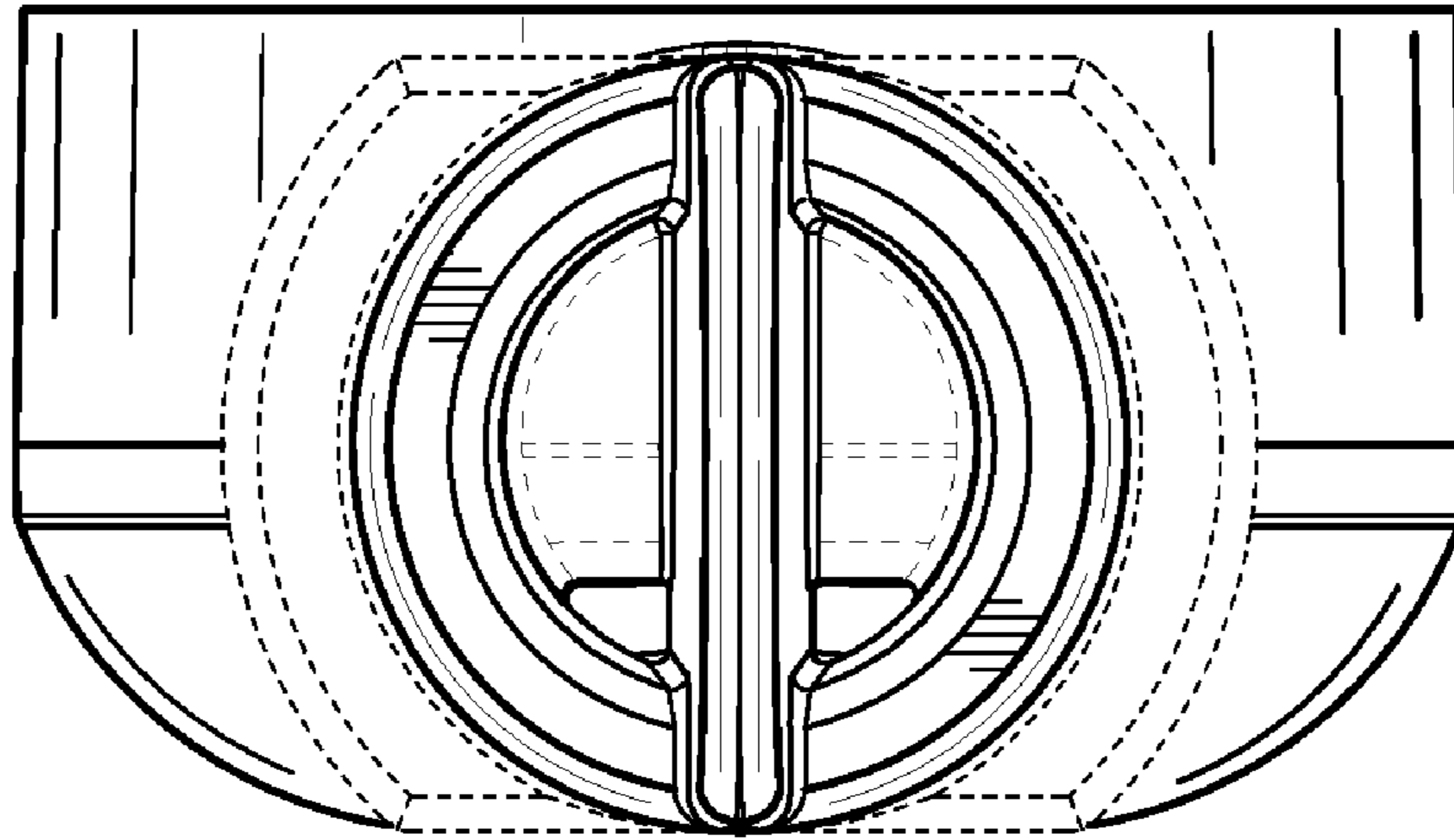


FIG. 14

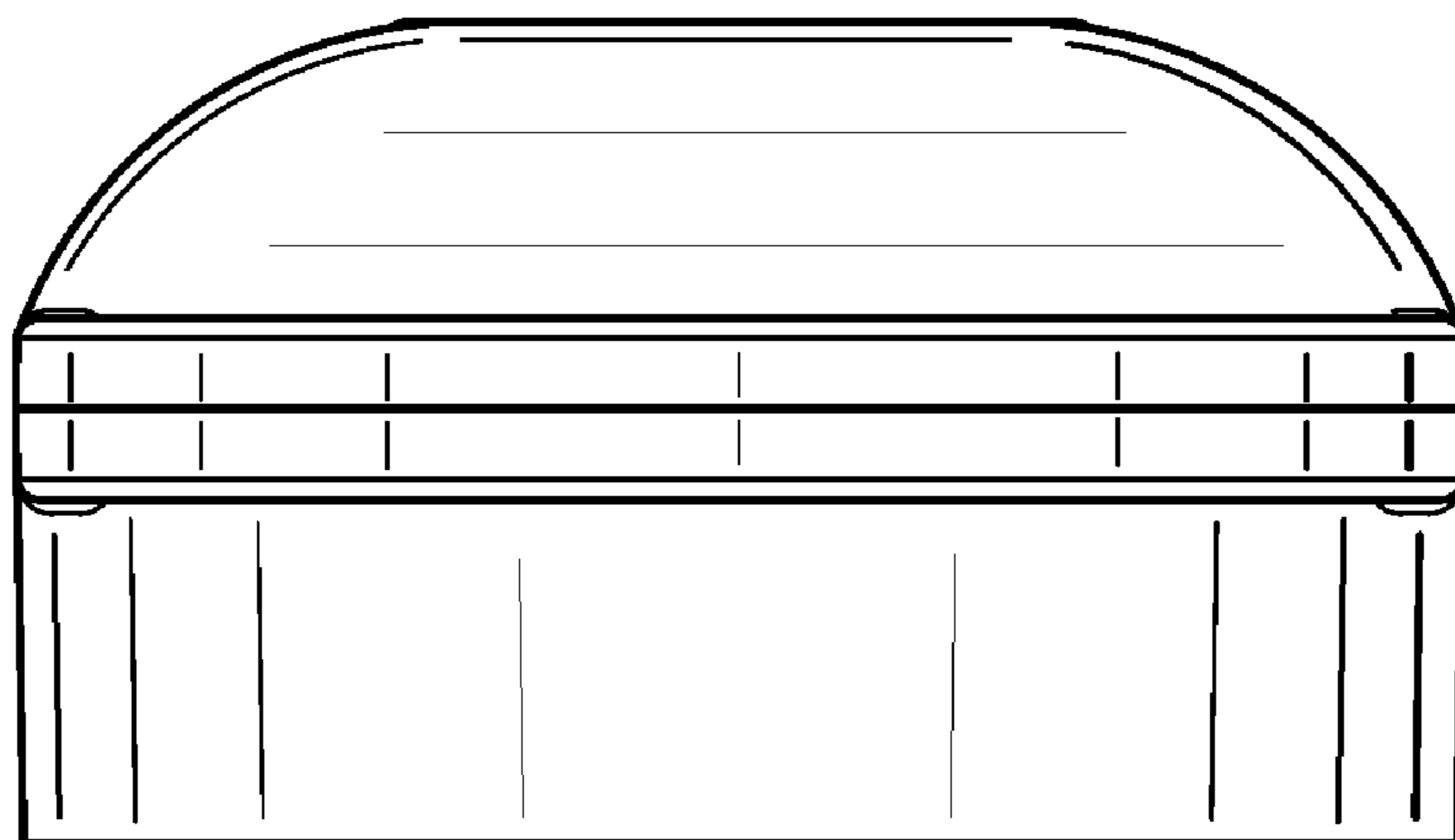


FIG. 15

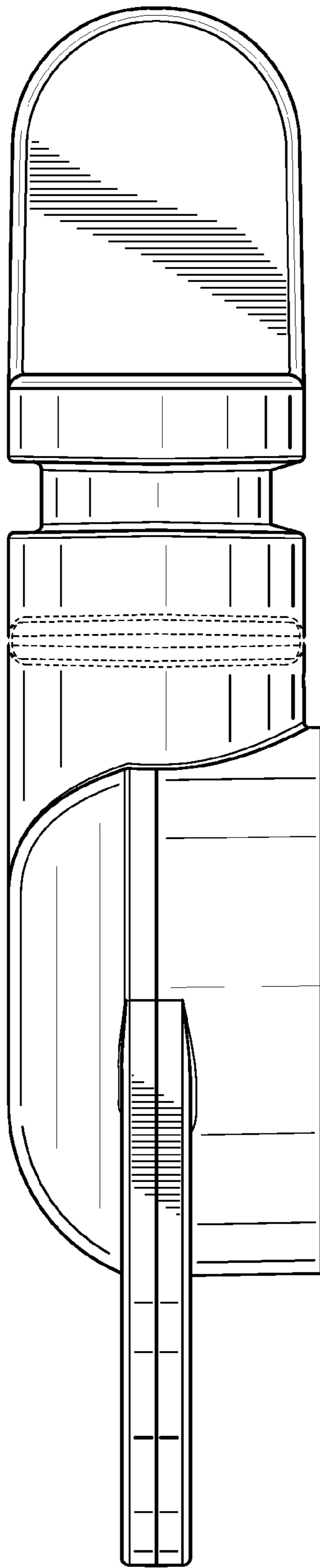


FIG. 16

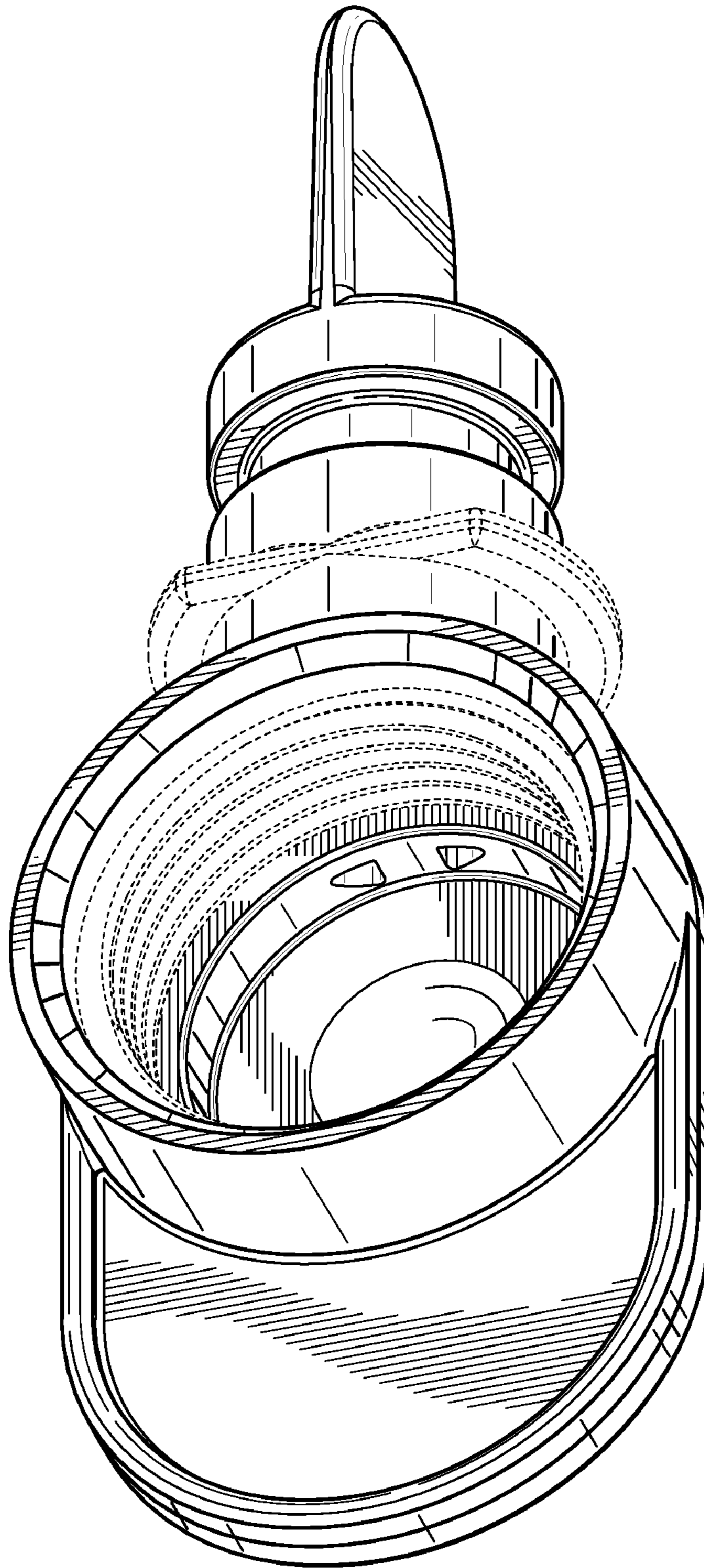


FIG. 17