

US00D669802S

(12) **United States Design Patent**
Marzynski et al.

(10) **Patent No.:** **US D669,802 S**

(45) **Date of Patent:** **** Oct. 30, 2012**

(54) **TEST DEVICE**

(75) Inventors: **Matthew Marzynski**, Seattle, WA (US);
Miguel Herrera, Bellingham, WA (US)

(73) Assignee: **Fluke Corporation**, Everett, WA (US)

(**) Term: **14 Years**

(21) Appl. No.: **29/407,096**

(22) Filed: **Nov. 22, 2011**

(51) **LOC (9) Cl.** **10-04**

(52) **U.S. Cl.** **D10/75**

(58) **Field of Classification Search** D10/46
See application file for complete search history.

(56) **References Cited**

U.S. PATENT DOCUMENTS

4,834,532	A *	5/1989	Yount	356/41
4,968,137	A *	11/1990	Yount	356/41
5,134,284	A *	7/1992	Volgyesi	250/252.1
5,166,517	A *	11/1992	Volgyesi	250/252.1
5,553,622	A *	9/1996	McKown et al.	600/505
5,588,438	A *	12/1996	McKown et al.	600/505
5,755,670	A *	5/1998	McKown et al.	600/505
5,783,821	A *	7/1998	Costello, Jr.	250/252.1
RE36,620	E *	3/2000	Costello, Jr.	250/252.1
6,400,973	B1 *	6/2002	Winter	600/323
RE37,970	E *	1/2003	Costello, Jr.	250/252.1
2012/0130204	A1 *	5/2012	Basta et al.	600/301

* cited by examiner

Primary Examiner — Antoine D Davis

(74) *Attorney, Agent, or Firm* — Christensen O'Connor Johnson Kindness PLLC

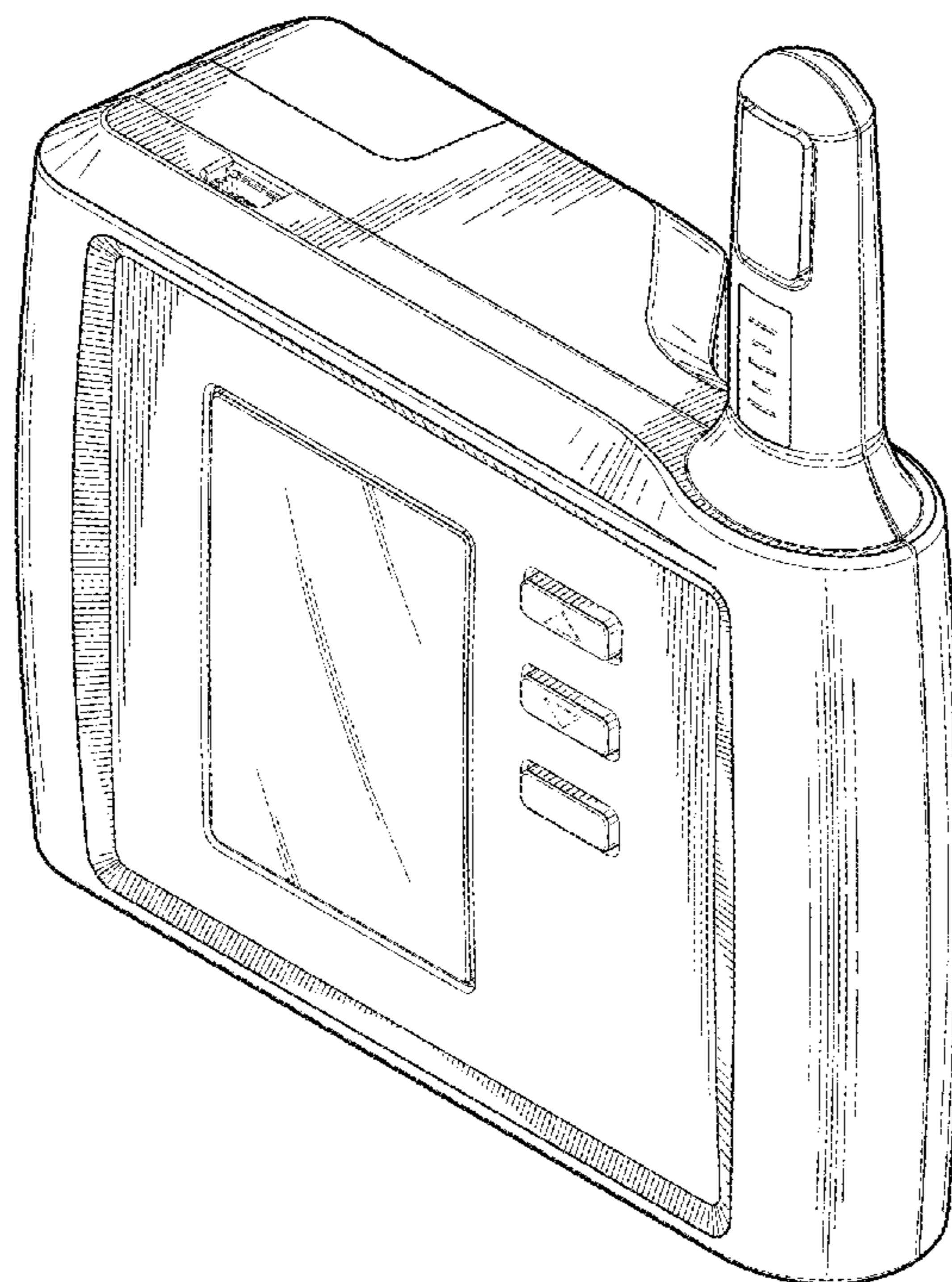
(57) **CLAIM**

The ornamental design for a test device, as shown and described.

DESCRIPTION

FIG. 1 is a front top right isometric view of a test device according to one embodiment showing our new design; FIG. 2 is a rear bottom left isometric view thereof; FIG. 3 is a front elevation view thereof; FIG. 4 is a rear elevation view thereof; FIG. 5 is a top plan view thereof; FIG. 6 is a bottom plan view thereof; FIG. 7 is a left side elevation view thereof; and FIG. 8 is a right side elevation view thereof. FIG. 9 is a front top right isometric view of a test device according to another embodiment showing our new design; FIG. 10 is a rear bottom left isometric view thereof; FIG. 11 is a front elevation view thereof; FIG. 12 is rear elevation view thereof; FIG. 13 is a top plan view thereof; FIG. 14 is a bottom plan view thereof; FIG. 15 is a left side elevation view thereof; and, FIG. 16 is a right side elevation view thereof. The broken lines in FIGS. 1, 3, and 9 through 16 illustrate environmental subject matter and form no part of the claimed design.

1 Claim, 12 Drawing Sheets



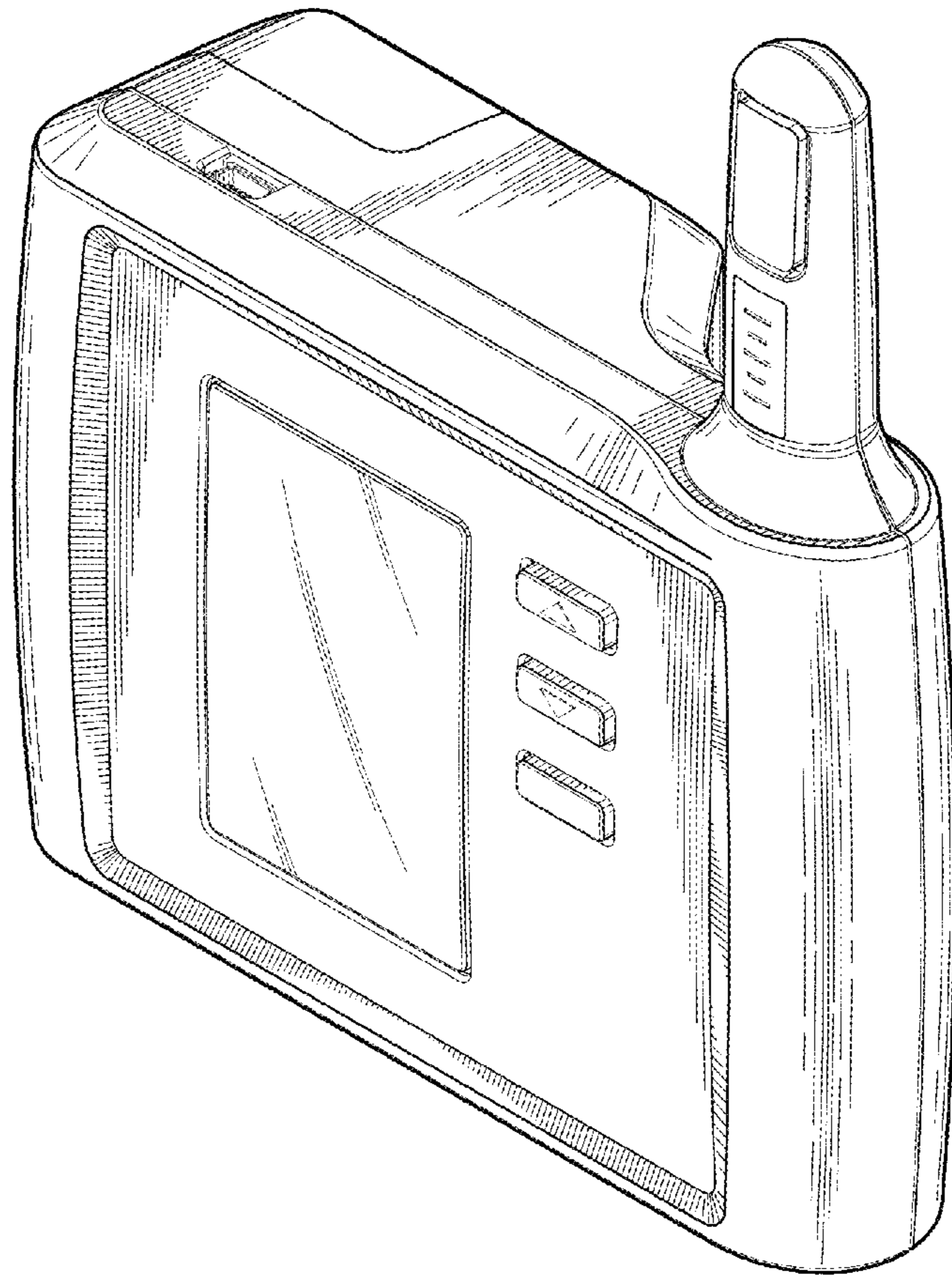


Fig. 1.

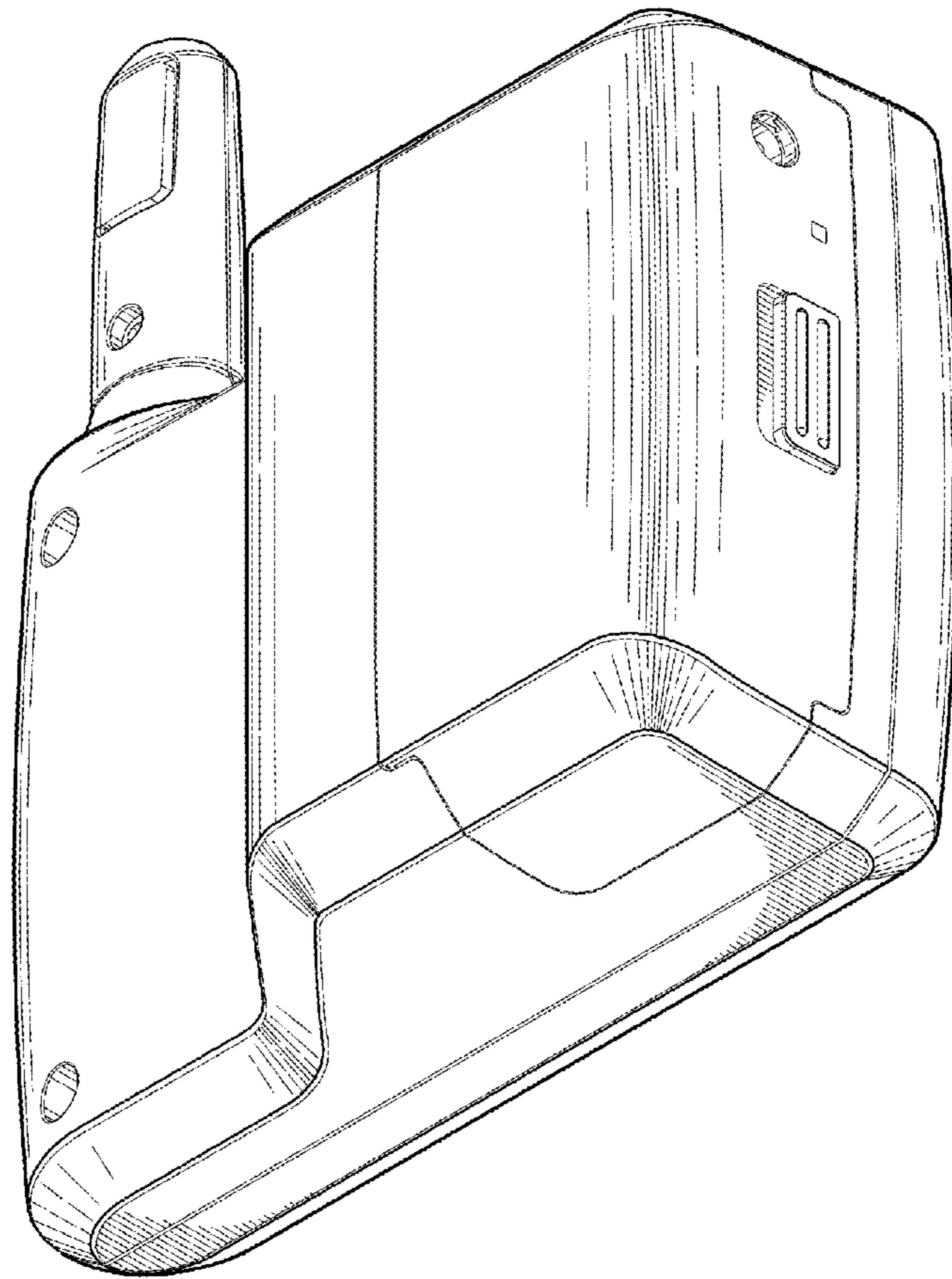


Fig. 2.

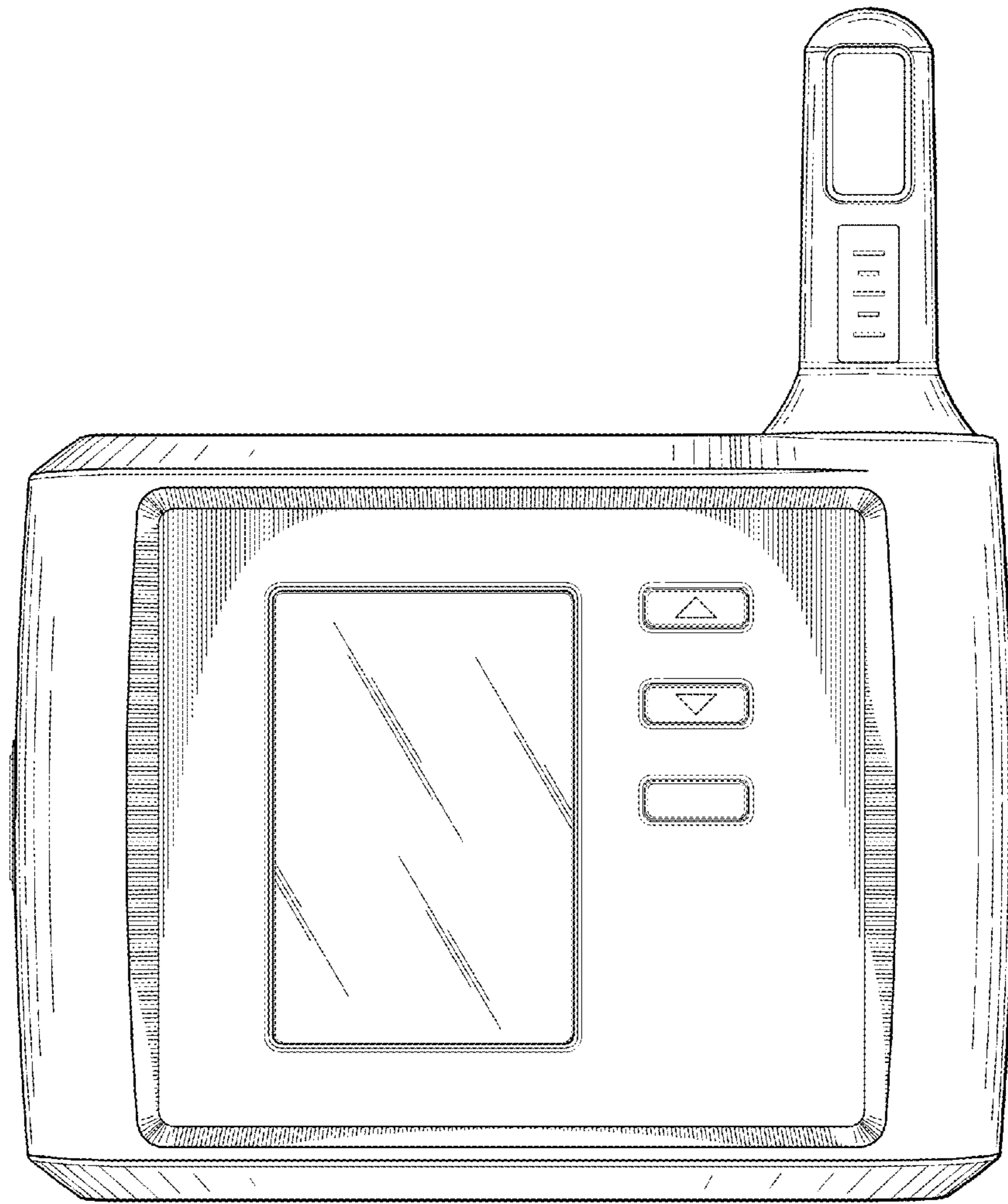


Fig. 3.

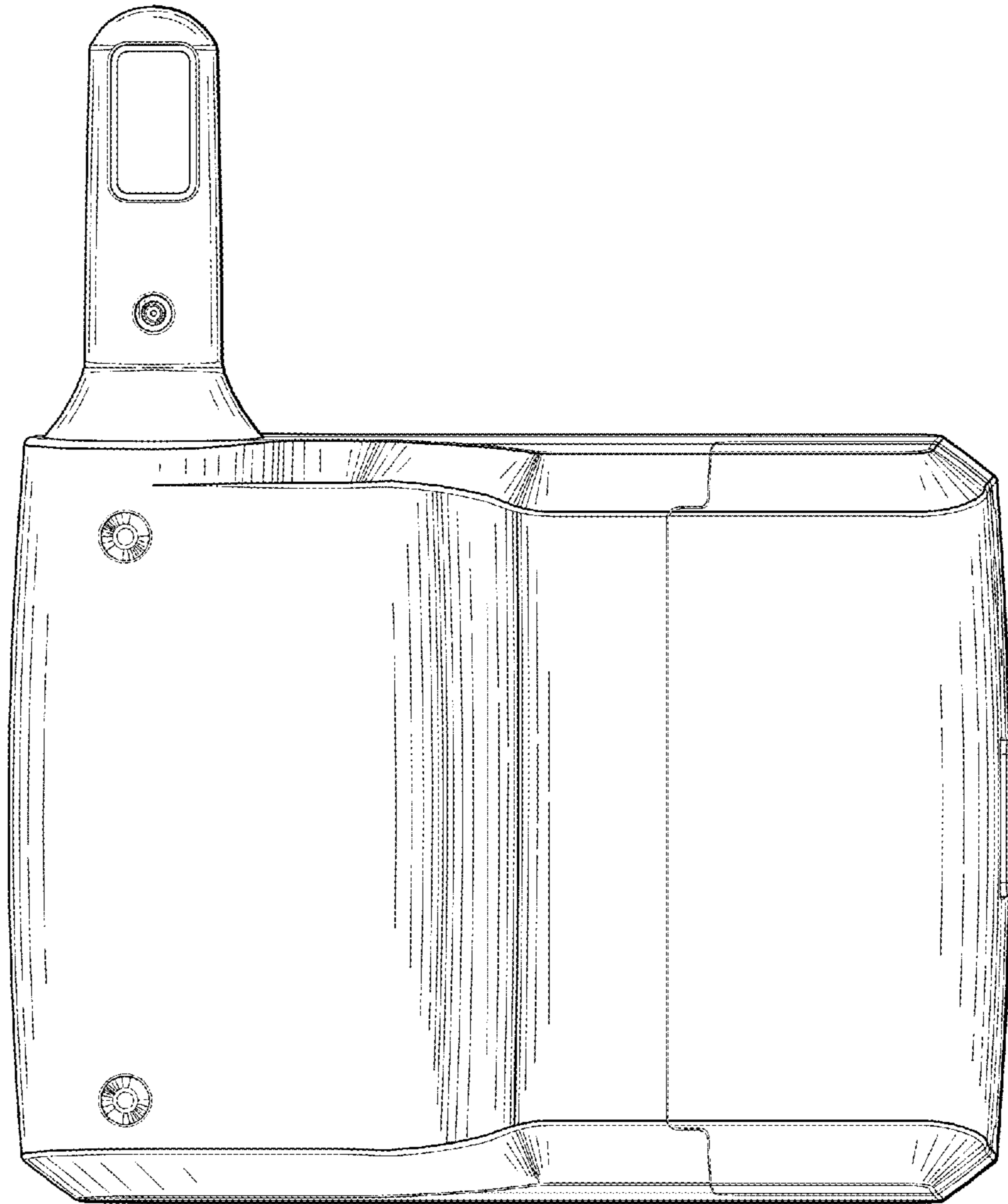


Fig. 4.

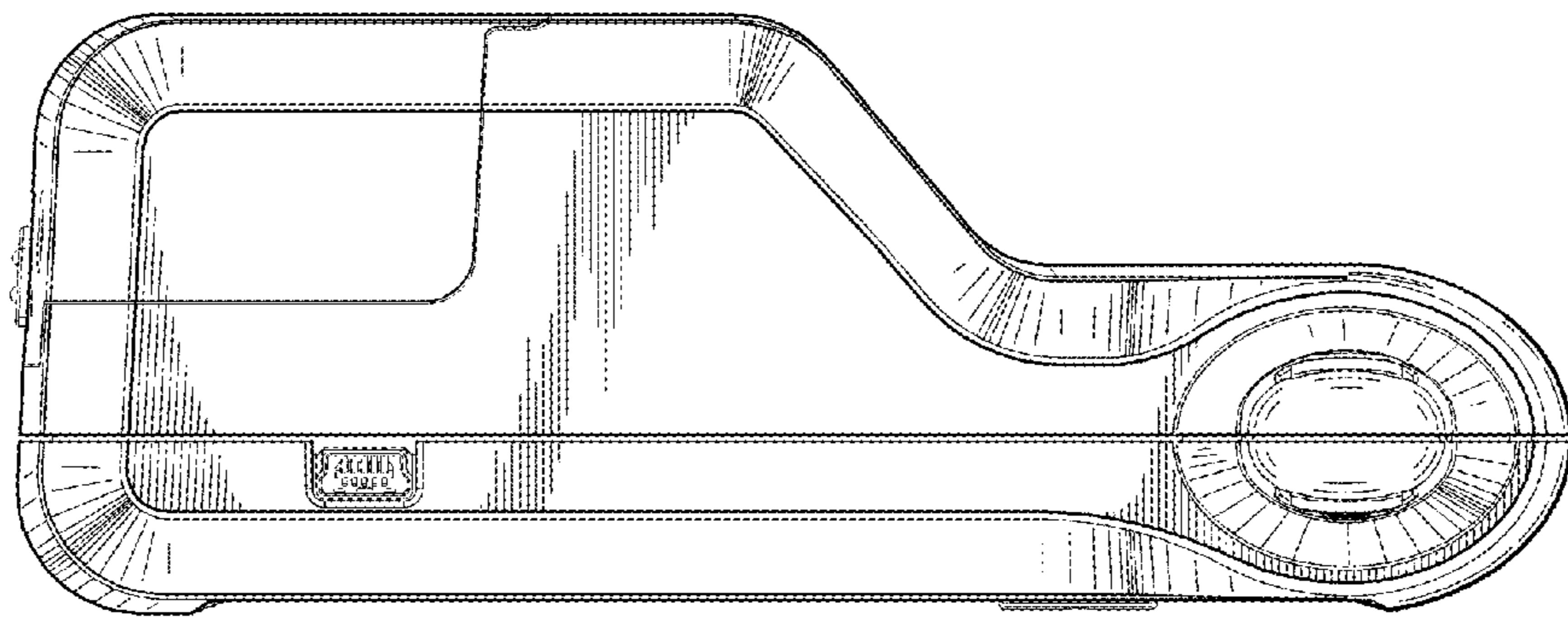


Fig. 5.

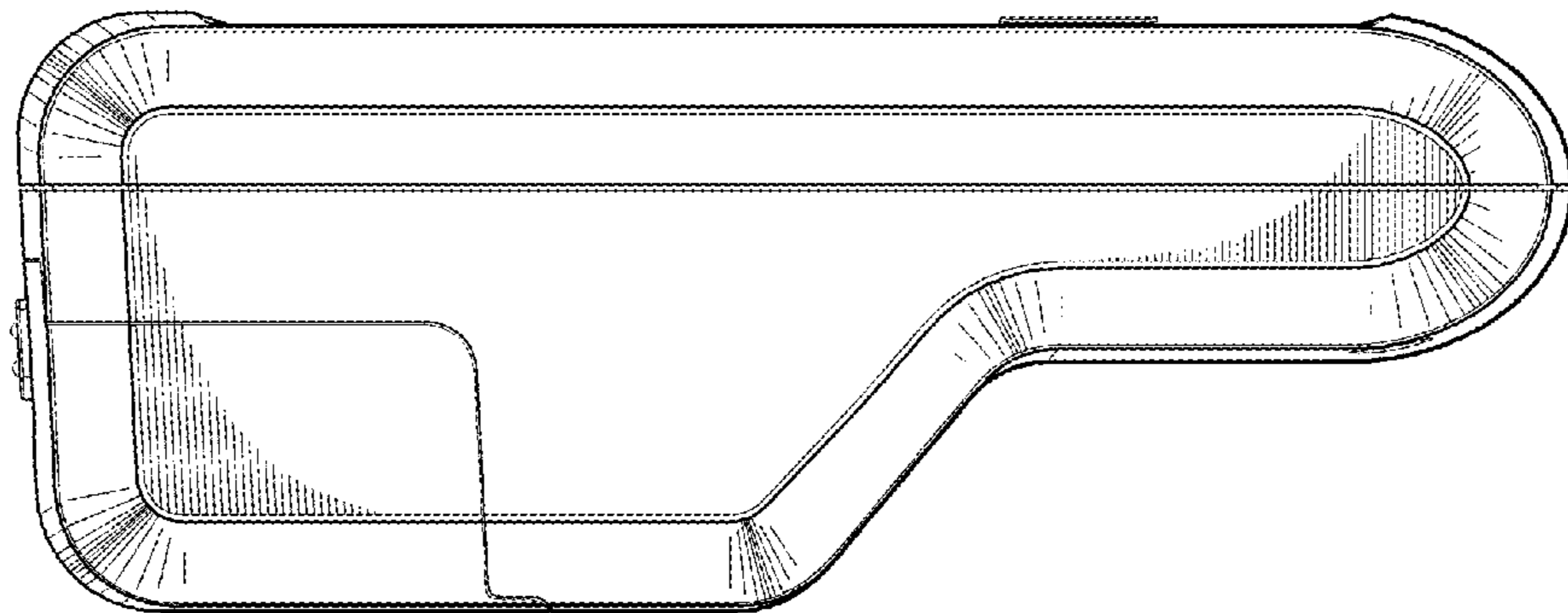


Fig. 6.

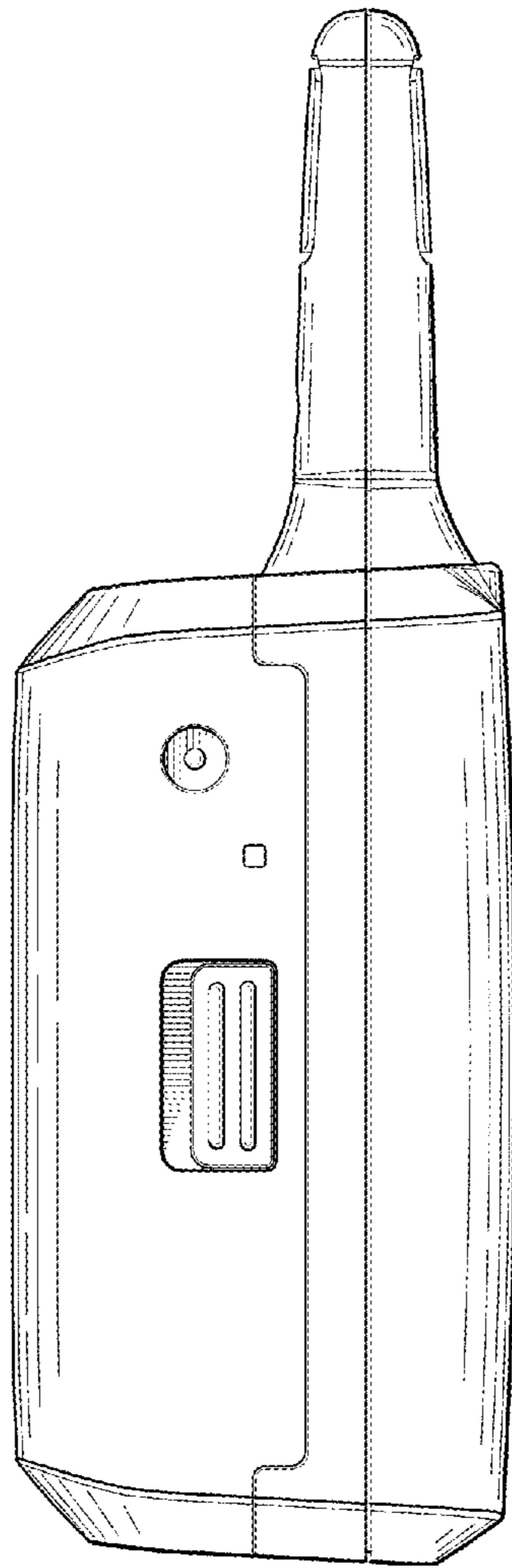


Fig. 7.

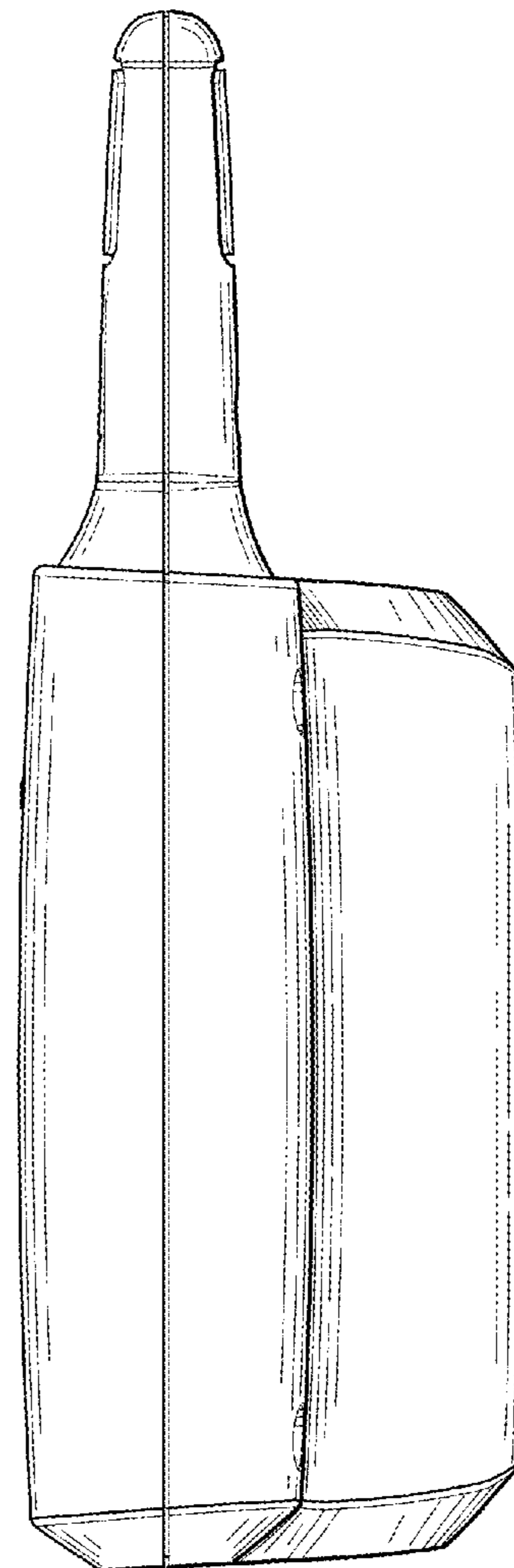


Fig. 8.

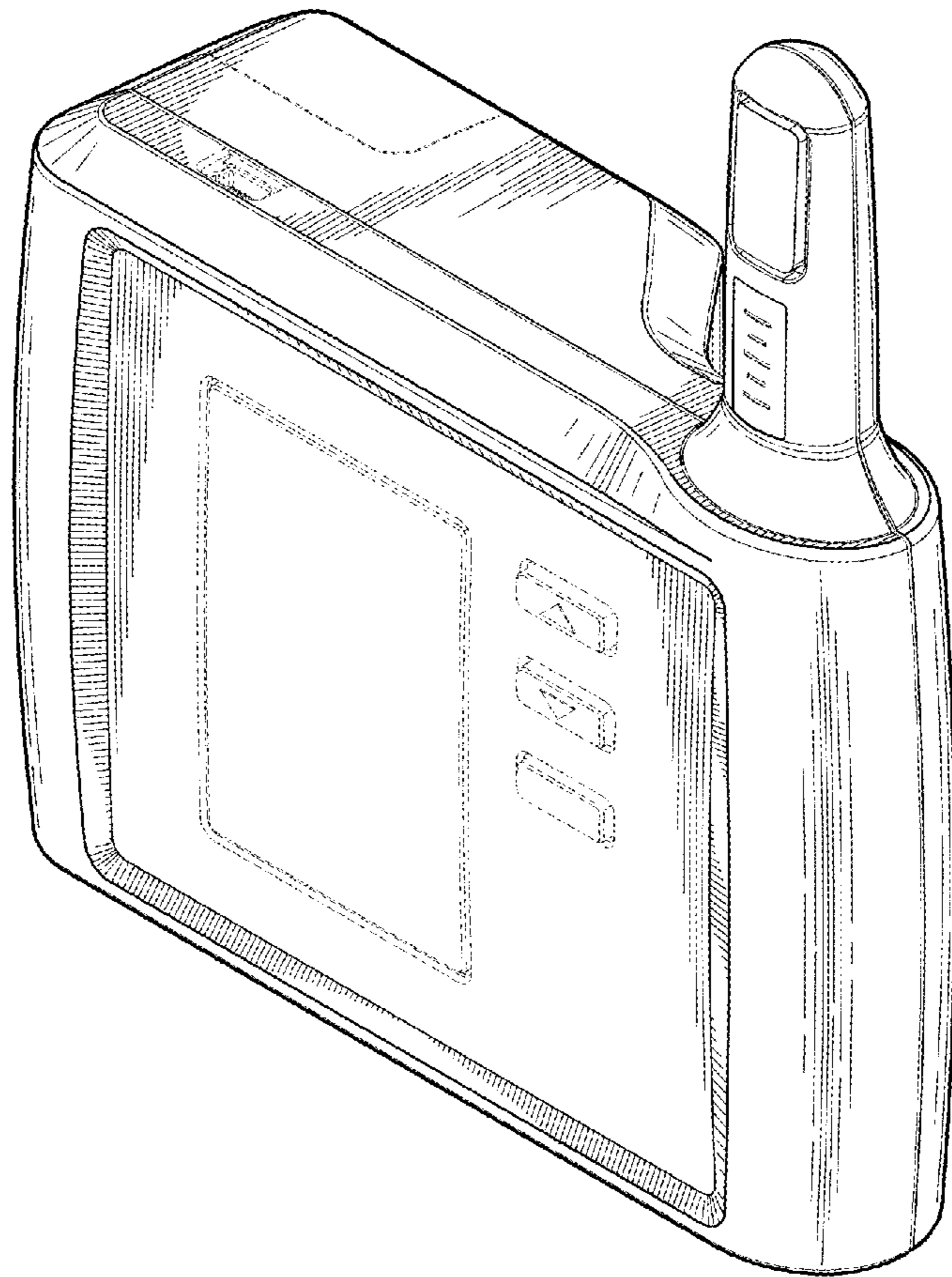


Fig. 9.

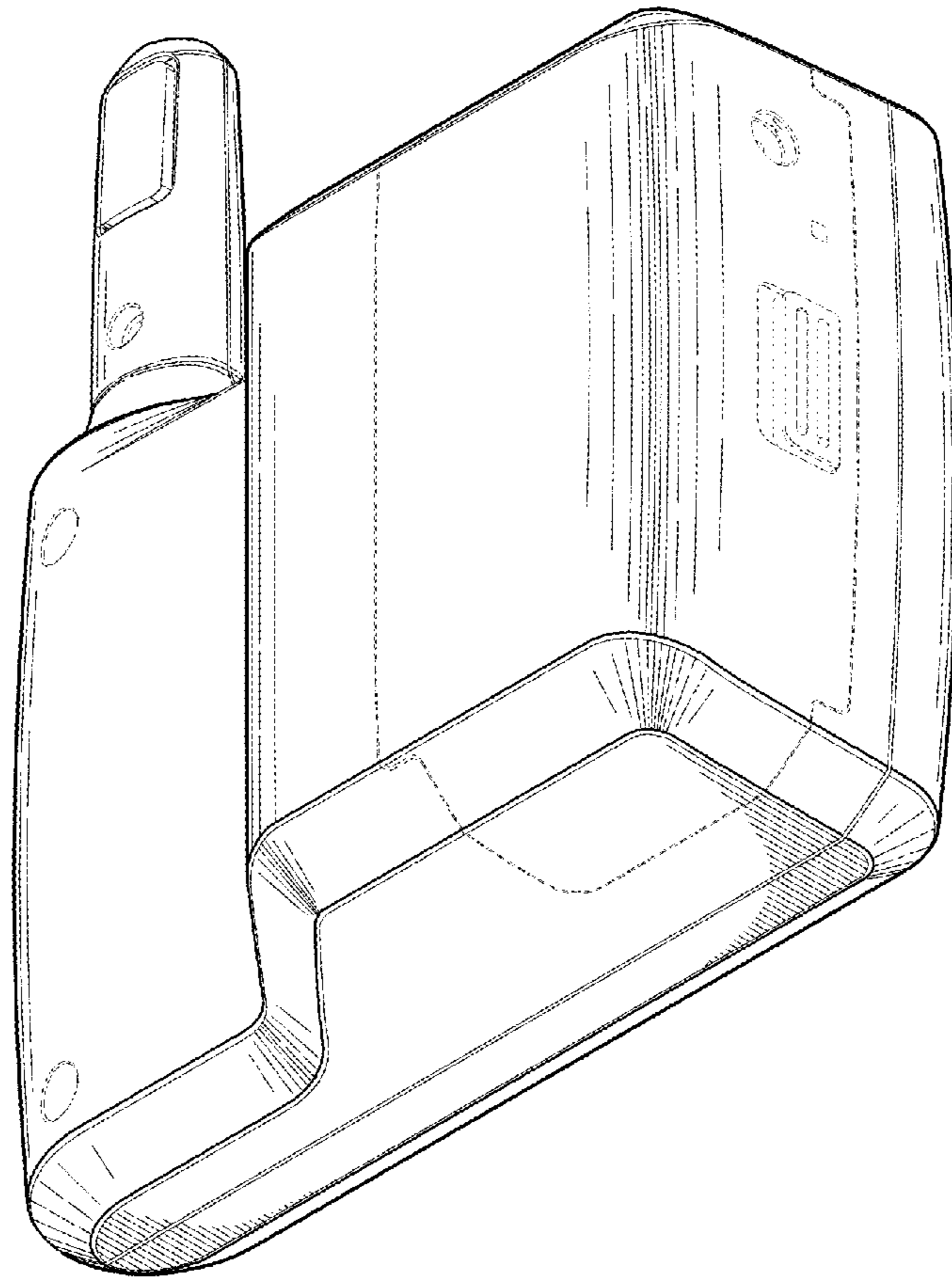


Fig. 10.

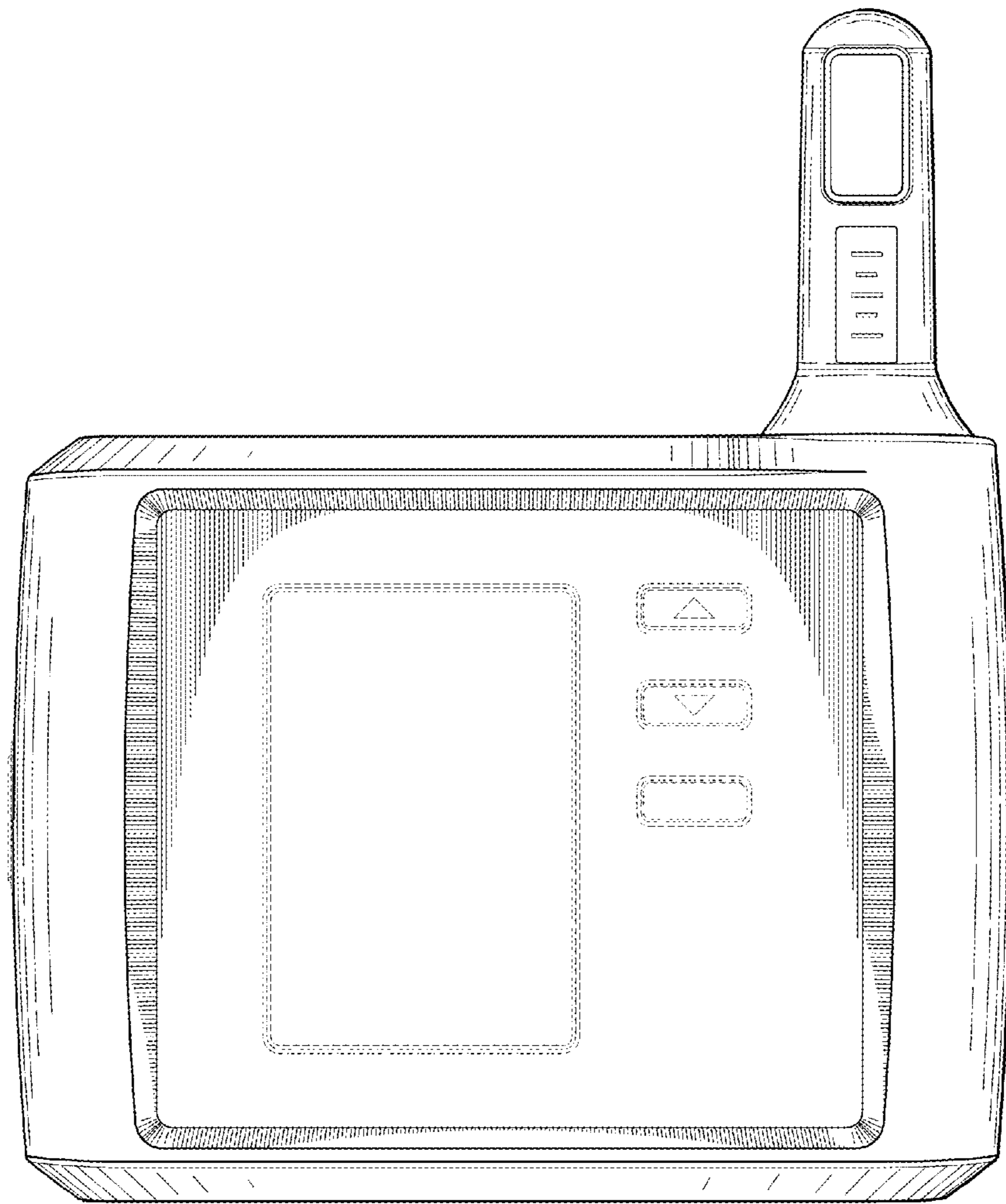


Fig. 11.

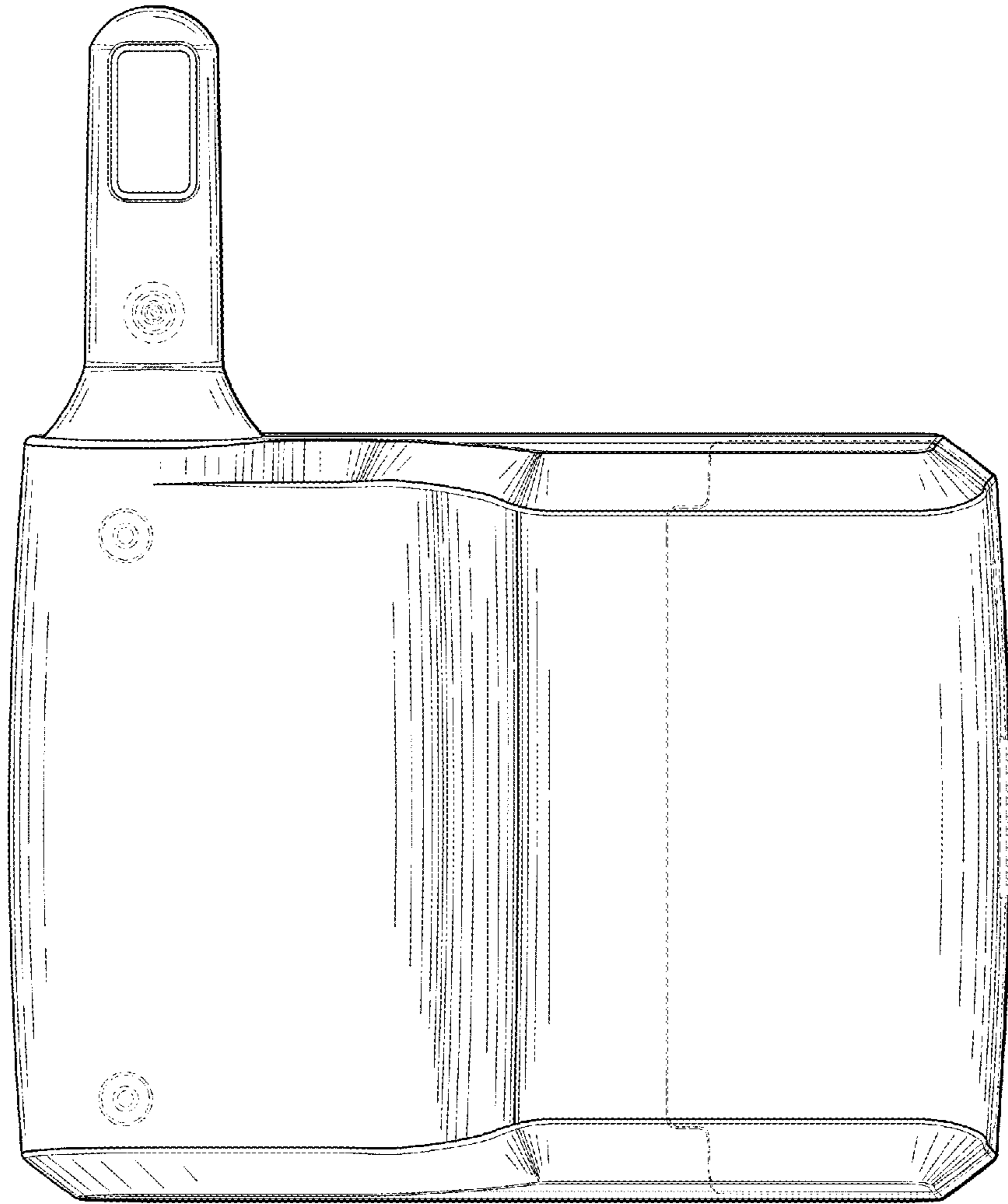


Fig. 12.

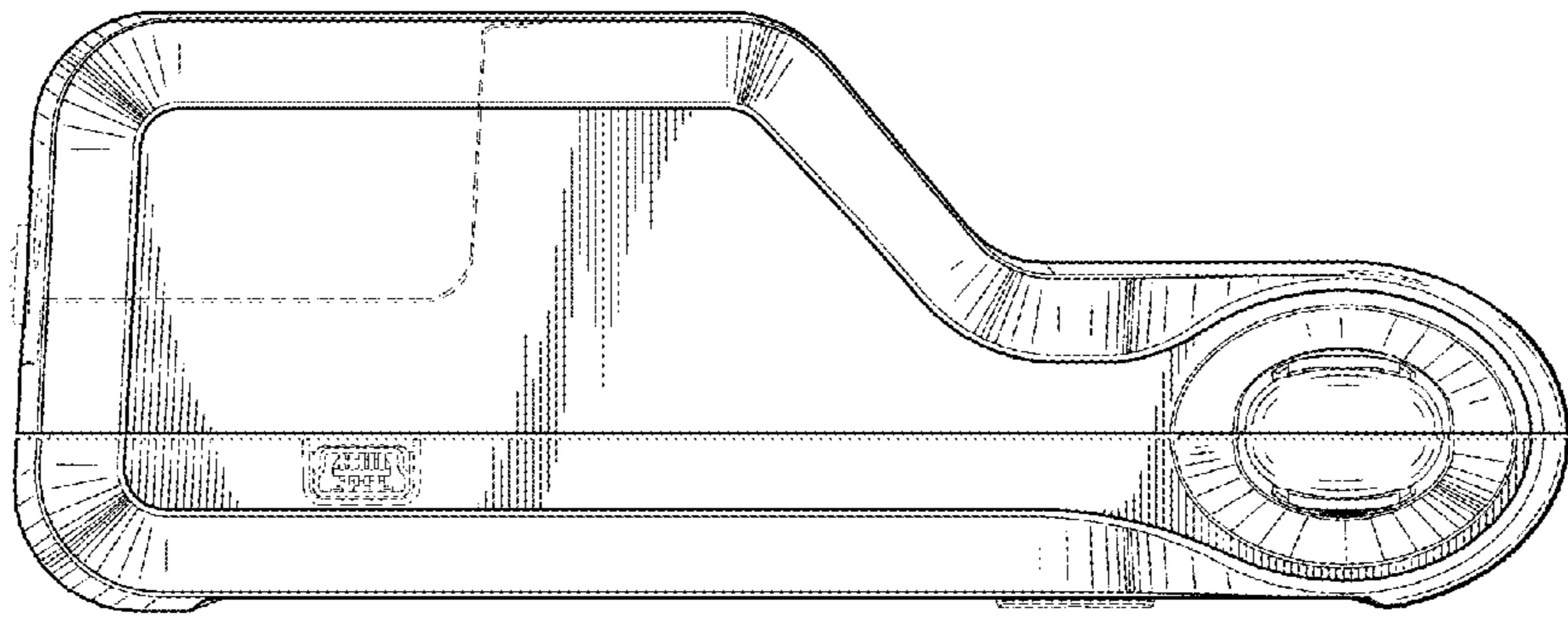


Fig. 13.

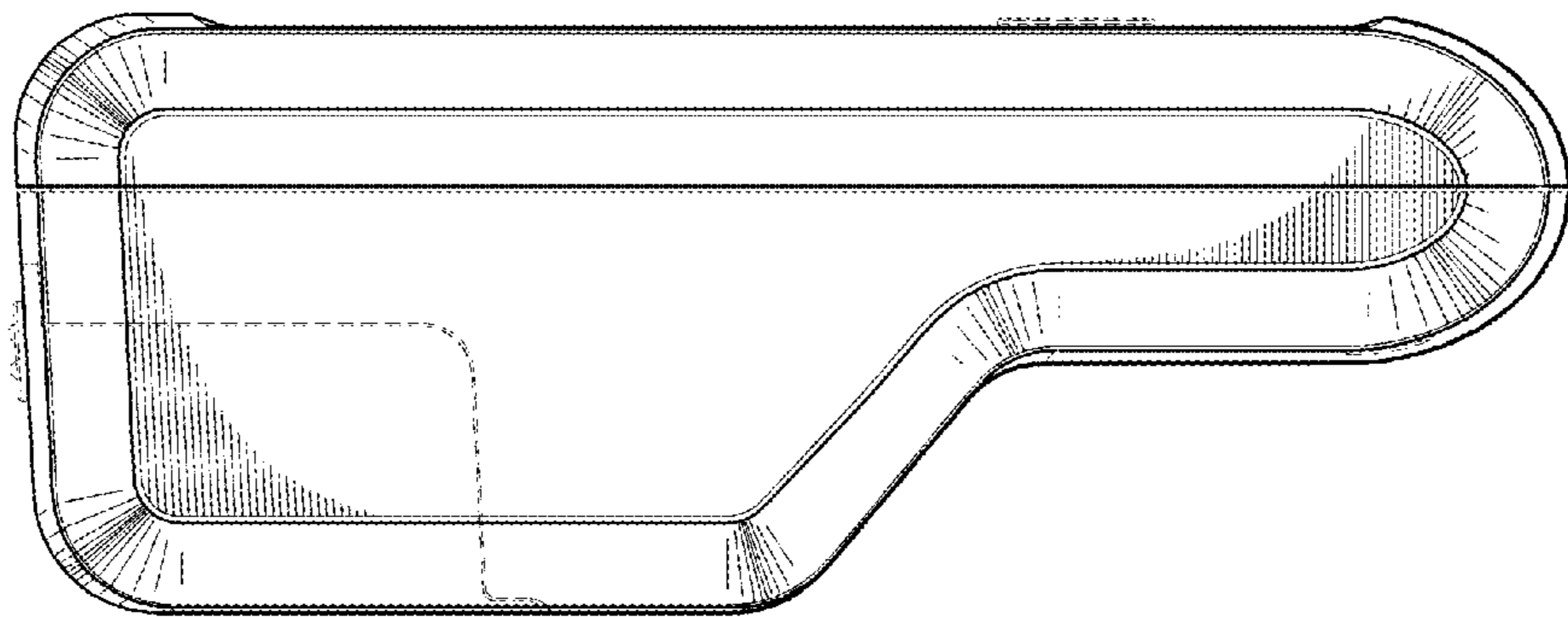


Fig. 14.

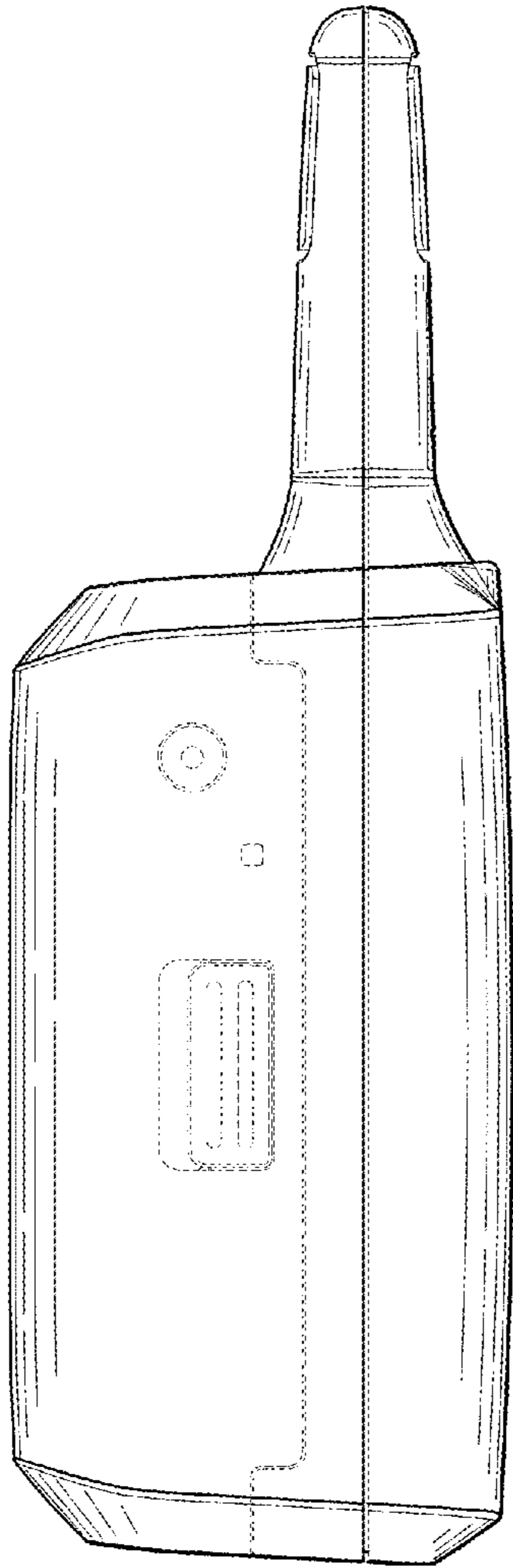


Fig. 15.

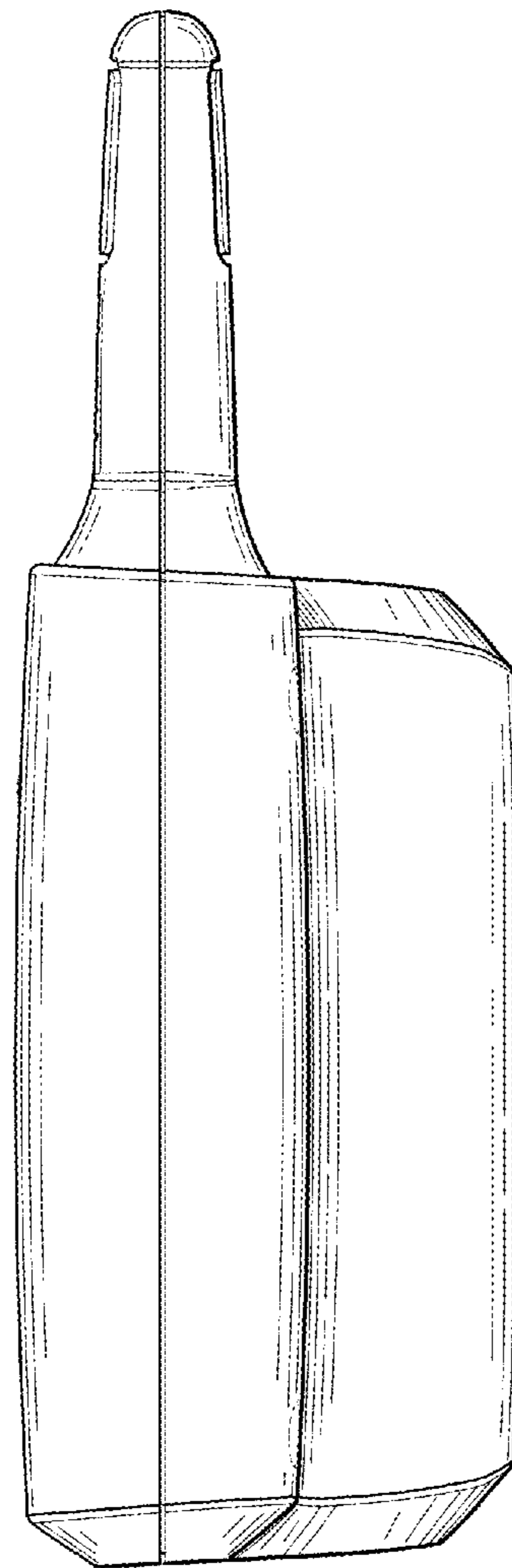


Fig. 16.