



US00D669798S

(12) **United States Design Patent**  
**van der Lande**

(10) **Patent No.:** **US D669,798 S**

(45) **Date of Patent:** **\*\* Oct. 30, 2012**

(54) **PENGUIN KITCHEN TIMER**

(75) Inventor: **Jan van der Lande**, New York, NY (US)

(73) Assignee: **Kikkerland Design Inc**, New York, NY (US)

(\*\*) Term: **14 Years**

(21) Appl. No.: **29/423,865**

(22) Filed: **Jun. 5, 2012**

(51) **LOC (9) Cl.** ..... **10-03**

(52) **U.S. Cl.** ..... **D10/40; D10/7**

(58) **Field of Classification Search** ..... D10/40,  
D10/7; D21/653, 606; 368/97, 98, 99, 100,  
368/108, 109

See application file for complete search history.

(56) **References Cited**

**U.S. PATENT DOCUMENTS**

D93,663 S *	10/1934	Kogan	.....	D10/7
D161,713 S *	1/1951	Sessions	.....	D10/7
D236,697 S *	9/1975	Draghi	.....	D10/40
D243,950 S *	4/1977	Ogasawara	.....	D19/64
D276,705 S *	12/1984	Oliveri	.....	D10/40
D282,193 S *	1/1986	Sasaki	.....	D21/653
D287,611 S *	1/1987	Sato	.....	D21/653
D300,441 S *	3/1989	Ryland	.....	D21/653
D326,297 S *	5/1992	Noshiro	.....	D21/531
D474,120 S *	5/2003	McLemore et al.	.....	D10/40
D528,536 S *	9/2006	Topping	.....	D14/207
D534,085 S *	12/2006	McDonough	.....	D10/40
D564,400 S *	3/2008	Chen	.....	D11/162

D576,056 S *	9/2008	MacDonald	.....	D10/40
D589,821 S *	4/2009	Sheehan	.....	D10/7
D599,224 S *	9/2009	Bialek-Wester	.....	D10/40
D613,187 S *	4/2010	Bialek-Wester	.....	D10/40
D636,987 S *	5/2011	van der Lande	.....	D3/211
D655,632 S *	3/2012	van der Lande	.....	D10/40
2005/0041534 A1 *	2/2005	McCarthy	.....	368/109

\* cited by examiner

*Primary Examiner* — Lucy Lieberman

(74) *Attorney, Agent, or Firm* — Cascio & Zervas

(57) **CLAIM**

The ornamental design for a penguin kitchen timer, as shown and described.

**DESCRIPTION**

FIG. 1 is a front elevational view of a penguin kitchen timer of my design;

FIG. 2 is a rear elevational view thereof;

FIG. 3 is a top plan view thereof;

FIG. 4 is a bottom plan view thereof;

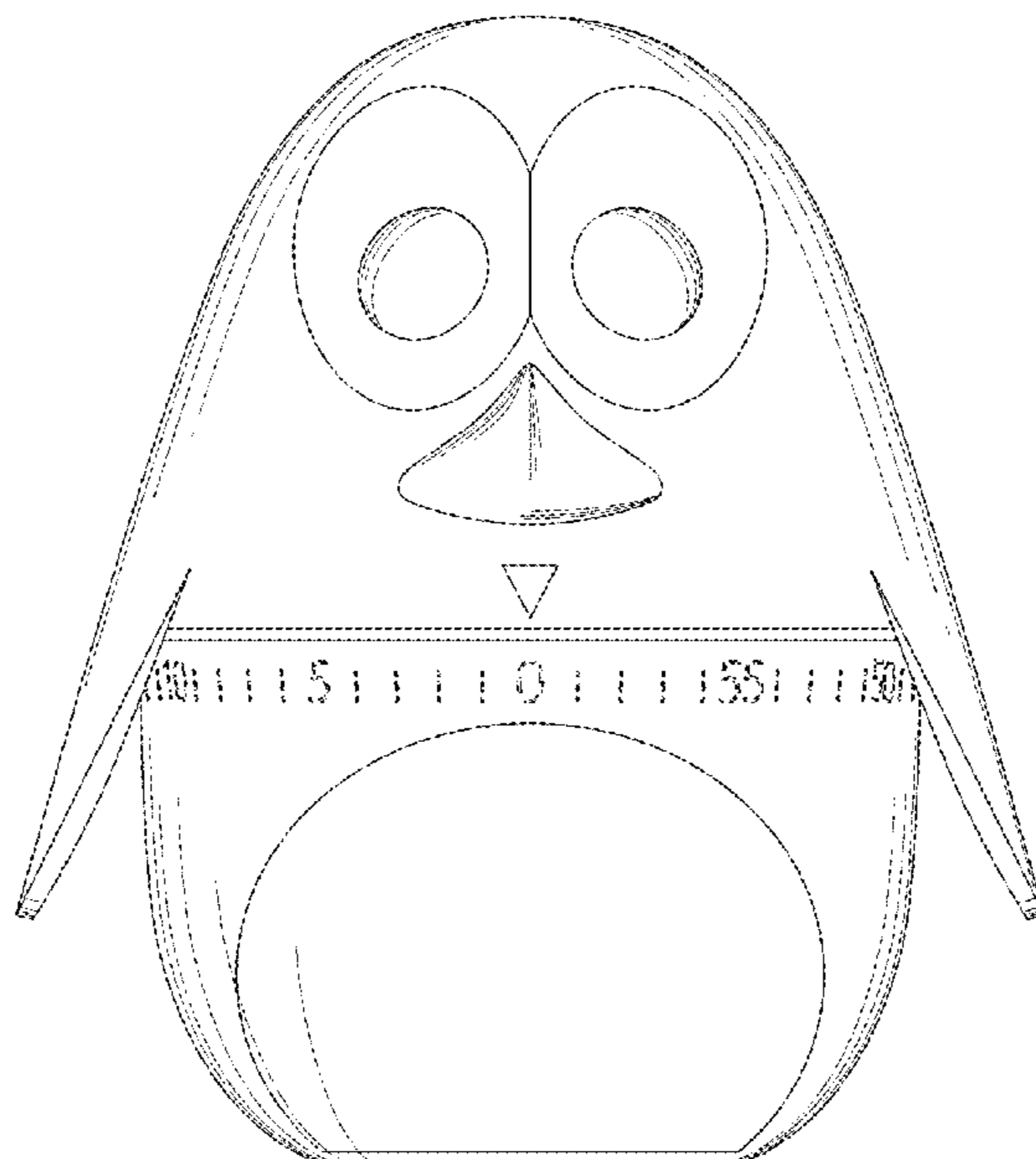
FIG. 5 is a right side elevational view thereof;

FIG. 6 is a left side elevational view thereof; and,

FIG. 7 is a perspective view thereof.

The broken lines in the Figures marking the minutes in an hour are for illustration purposes only and form no part of the claimed design.

**1 Claim, 4 Drawing Sheets**



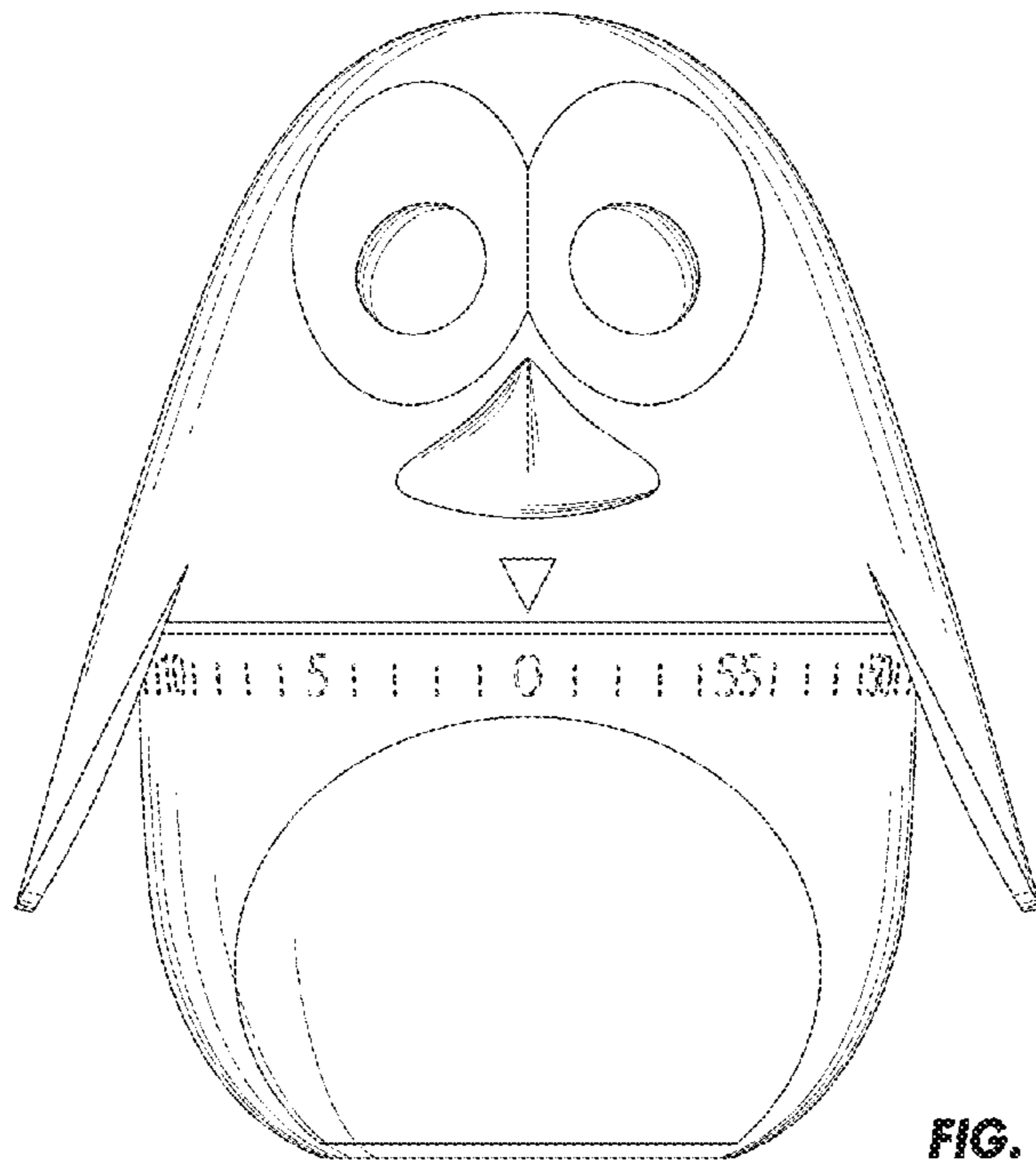


FIG. 1

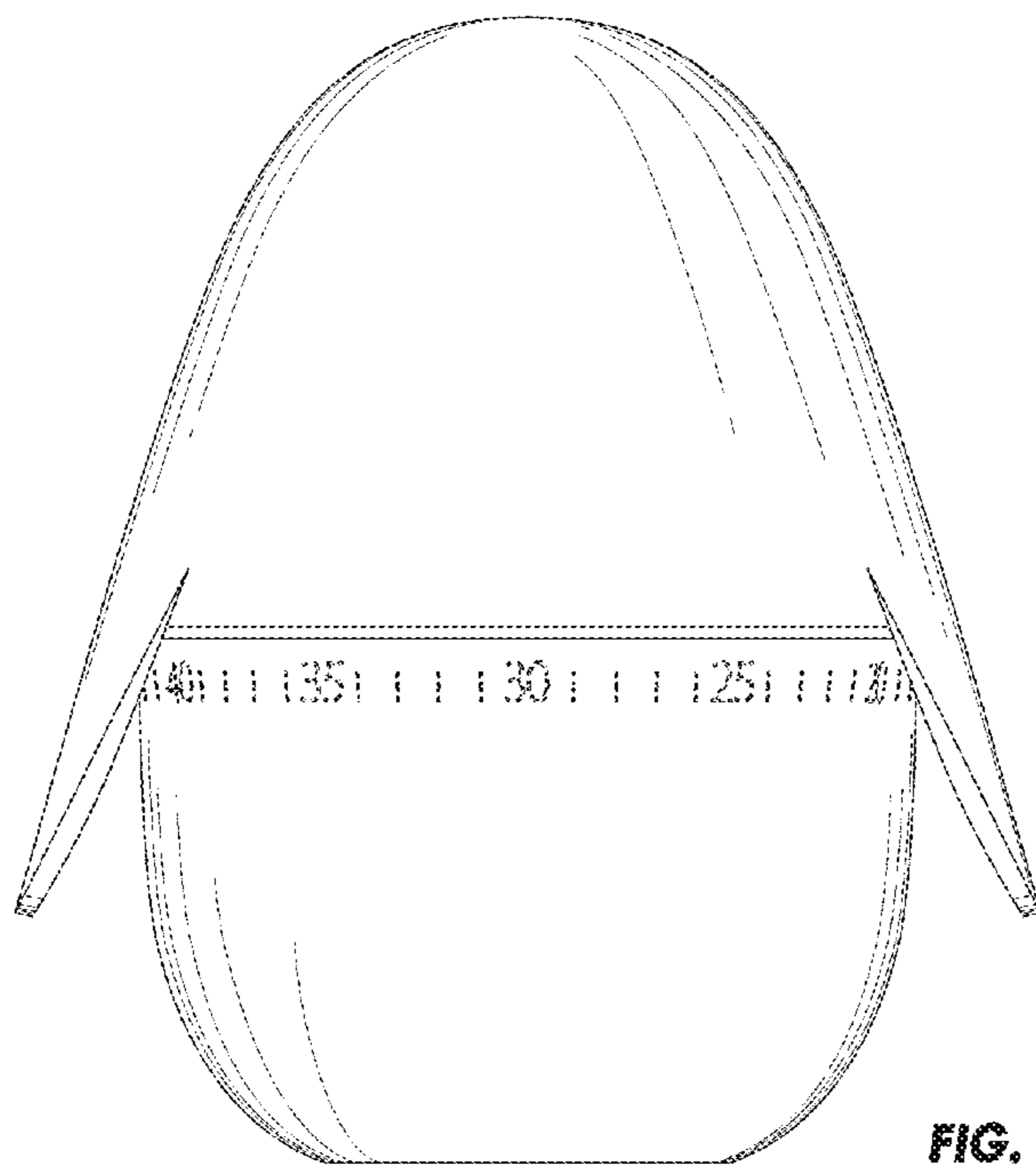


FIG. 2

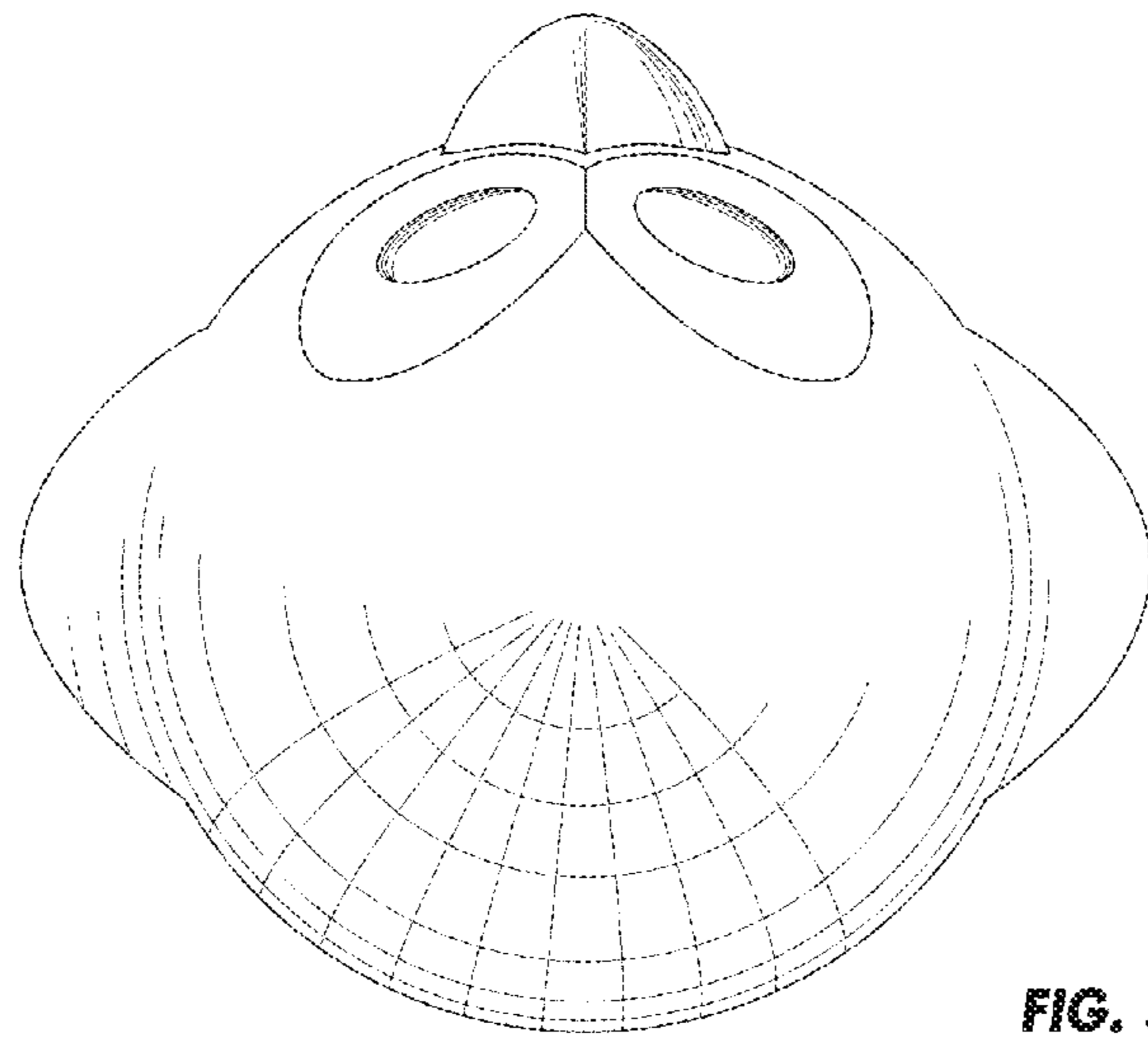


FIG. 3

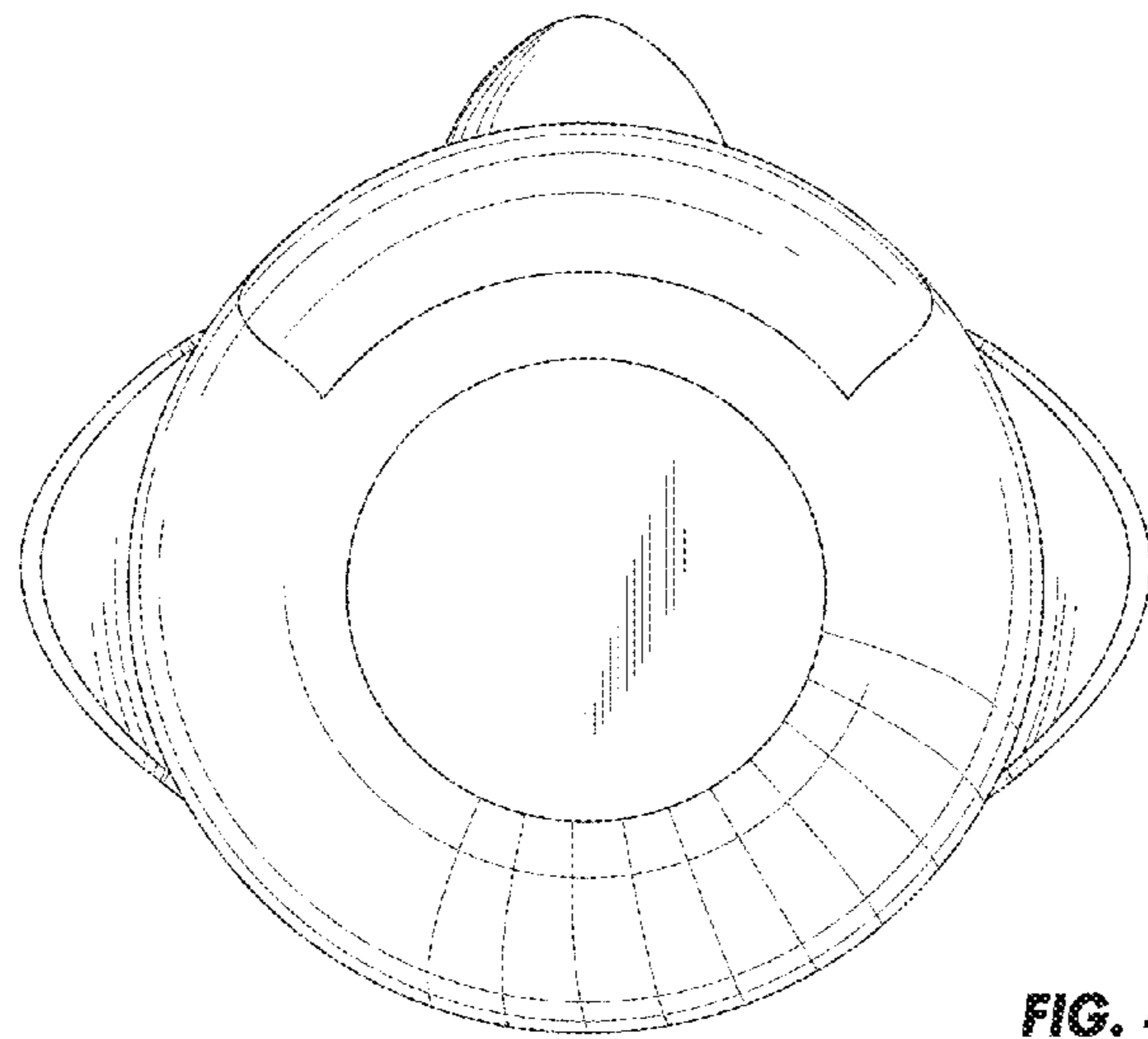


FIG. 4

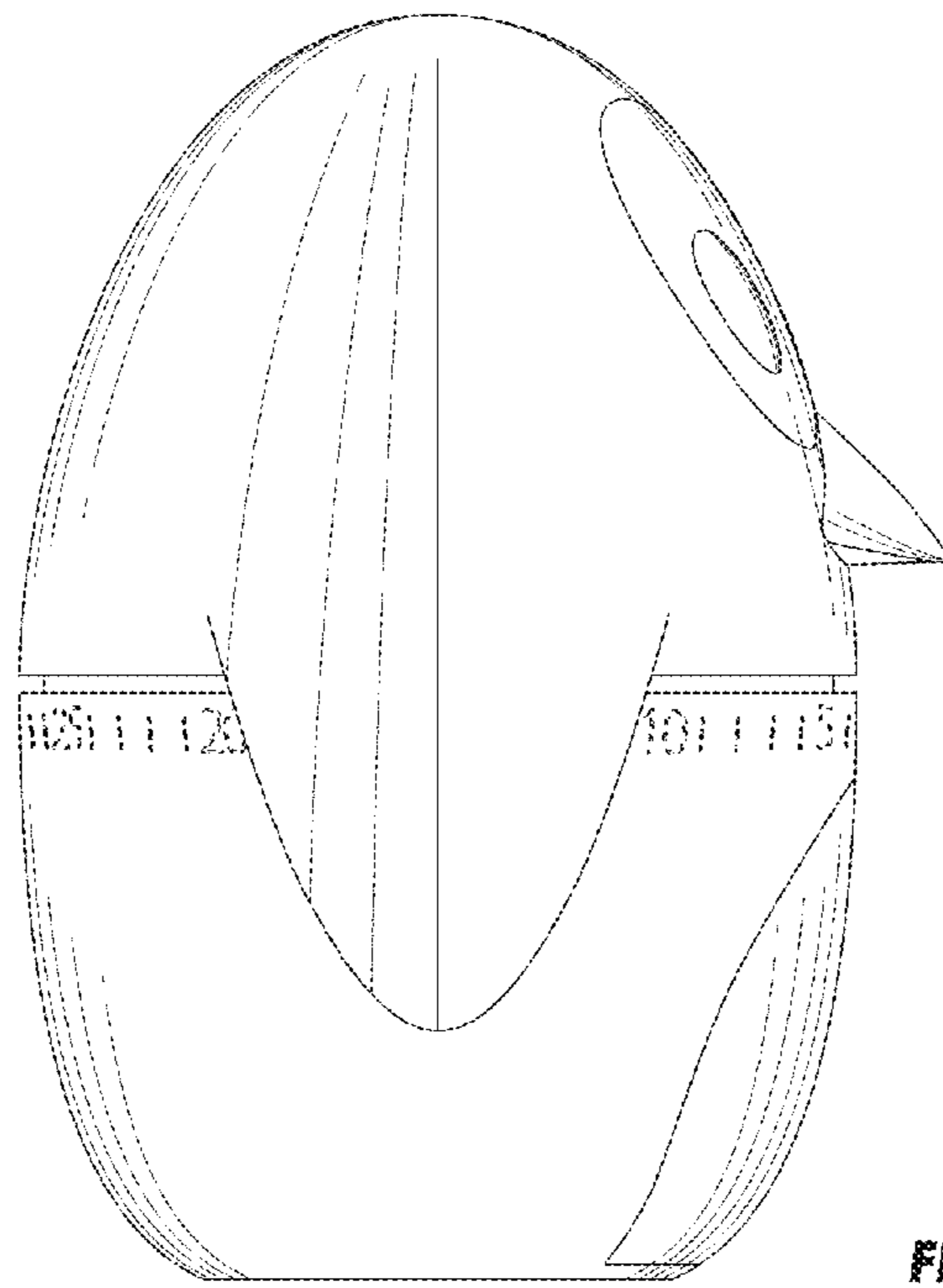


FIG. 5

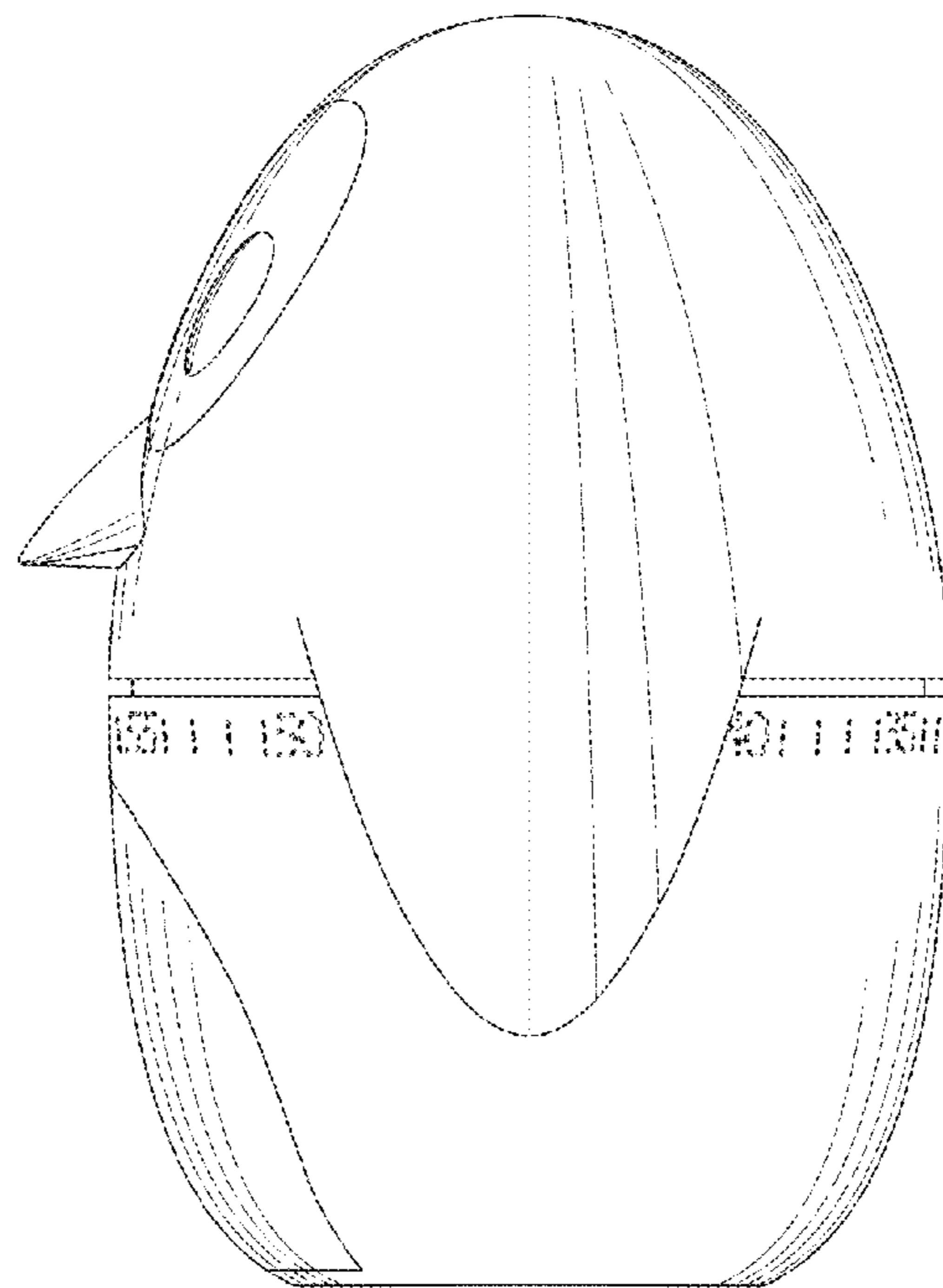


FIG. 6

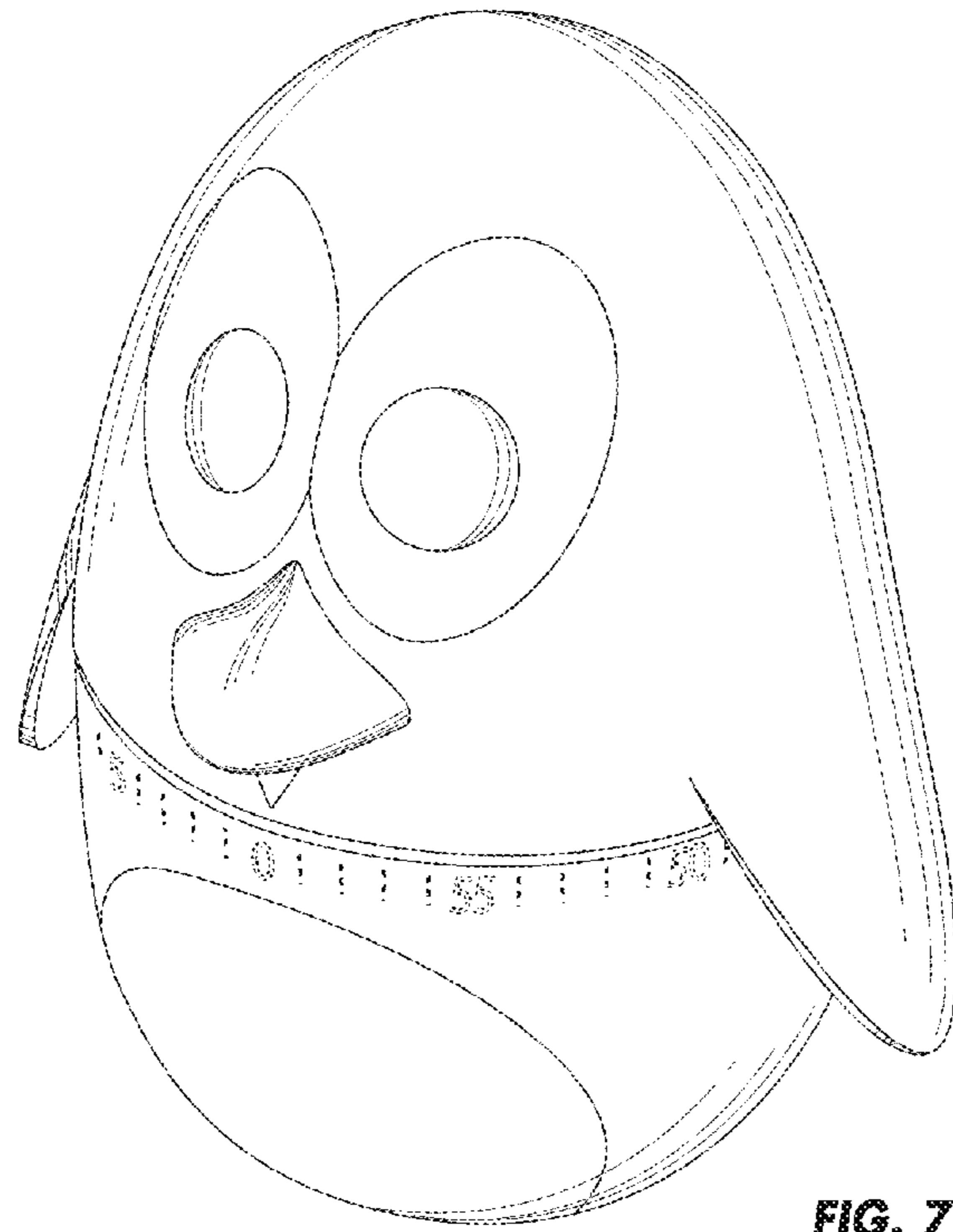


FIG. 7