

US00D669790S

(12) **United States Design Patent**  
**Powers et al.**

(10) **Patent No.:** **US D669,790 S**  
(45) **Date of Patent:** **\*\* \*Oct. 30, 2012**

(54) **PACKAGING CONTAINER WITH SURFACE ORNAMENTATION**

(75) Inventors: **Diane Danheiser Powers**, Mason, OH (US); **Andrea Marie Subler**, West Chester, OH (US)

(73) Assignee: **The Procter & Gamble Company**, Cincinnati, OH (US)

(\*) Notice: This patent is subject to a terminal disclaimer.

(\*\*) Term: **14 Years**

(21) Appl. No.: **29/387,106**

(22) Filed: **Mar. 9, 2011**

(51) **LOC (9) Cl.** ..... **09-01**

(52) **U.S. Cl.** ..... **D9/649; D9/434**

(58) **Field of Classification Search** ..... D9/600,  
D9/649, 669, 414, 430-434; 206/457-458.527;  
220/890

See application file for complete search history.

(56) **References Cited**

U.S. PATENT DOCUMENTS

D489,002	S	*	4/2004	Meyer et al.	.....	D9/669
D562,694	S	*	2/2008	Norton et al.	.....	D9/649
D584,611	S	*	1/2009	Ames et al.	.....	D9/432
D599,201	S	*	9/2009	Seol et al.	.....	D9/432
D600,548	S	*	9/2009	Seol et al.	.....	D9/432
D603,701	S	*	11/2009	Seol et al.	.....	D9/432
D608,636	S	*	1/2010	Seol	.....	D9/432

\* cited by examiner

*Primary Examiner* — Sandra Morris

(74) *Attorney, Agent, or Firm* — Alexander S. Anoff

(57) **CLAIM**

The ornamental design for a packaging container with surface ornamentation, as shown and described.

**DESCRIPTION**

The present application file contains at least one drawing executed in color. Copies of this patent or patent application

publication with color drawing(s) will be provided by the Office upon request and payment of the necessary fee.

FIG. 1 is a perspective view of a packaging container with surface ornamentation embodying our new design;

FIG. 2 is a front view thereof;

FIG. 3 is a rear view thereof;

FIG. 4 is right side view thereof;

FIG. 5 is a left side view thereof;

FIG. 6 is a top view thereof;

FIG. 7 is a bottom view thereof;

FIG. 8 is a perspective view of a second embodiment of a packaging container with surface ornamentation embodying our new design;

FIG. 9 is a front view thereof;

FIG. 10 is a rear view thereof;

FIG. 11 is a right side view thereof;

FIG. 12 is a left side view thereof;

FIG. 13 is a top view thereof;

FIG. 14 is a bottom view thereof;

FIG. 15 is a perspective view of a third embodiment of a packaging container with surface ornamentation embodying our new design;

FIG. 16 is a front view thereof;

FIG. 17 is a rear view thereof;

FIG. 18 is a right side view thereof;

FIG. 19 is a left side view thereof;

FIG. 20 is a top view thereof;

FIG. 21 is a bottom view thereof;

FIG. 22 is a perspective view of a fourth embodiment of a packaging container with surface ornamentation embodying our new design;

FIG. 23 is a front view thereof;

FIG. 24 is a rear view thereof;

FIG. 25 is a right side view thereof;

FIG. 26 is a left side view thereof;

FIG. 27 is a top view thereof;

FIG. 28 is a bottom view thereof;

FIG. 29 is a perspective view of a fifth embodiment of a packaging container with surface ornamentation embodying our new design;

FIG. 30 is a front view thereof;

FIG. 31 is a rear view thereof;

FIG. 32 is a right side view thereof;

FIG. 33 is a left side view thereof;

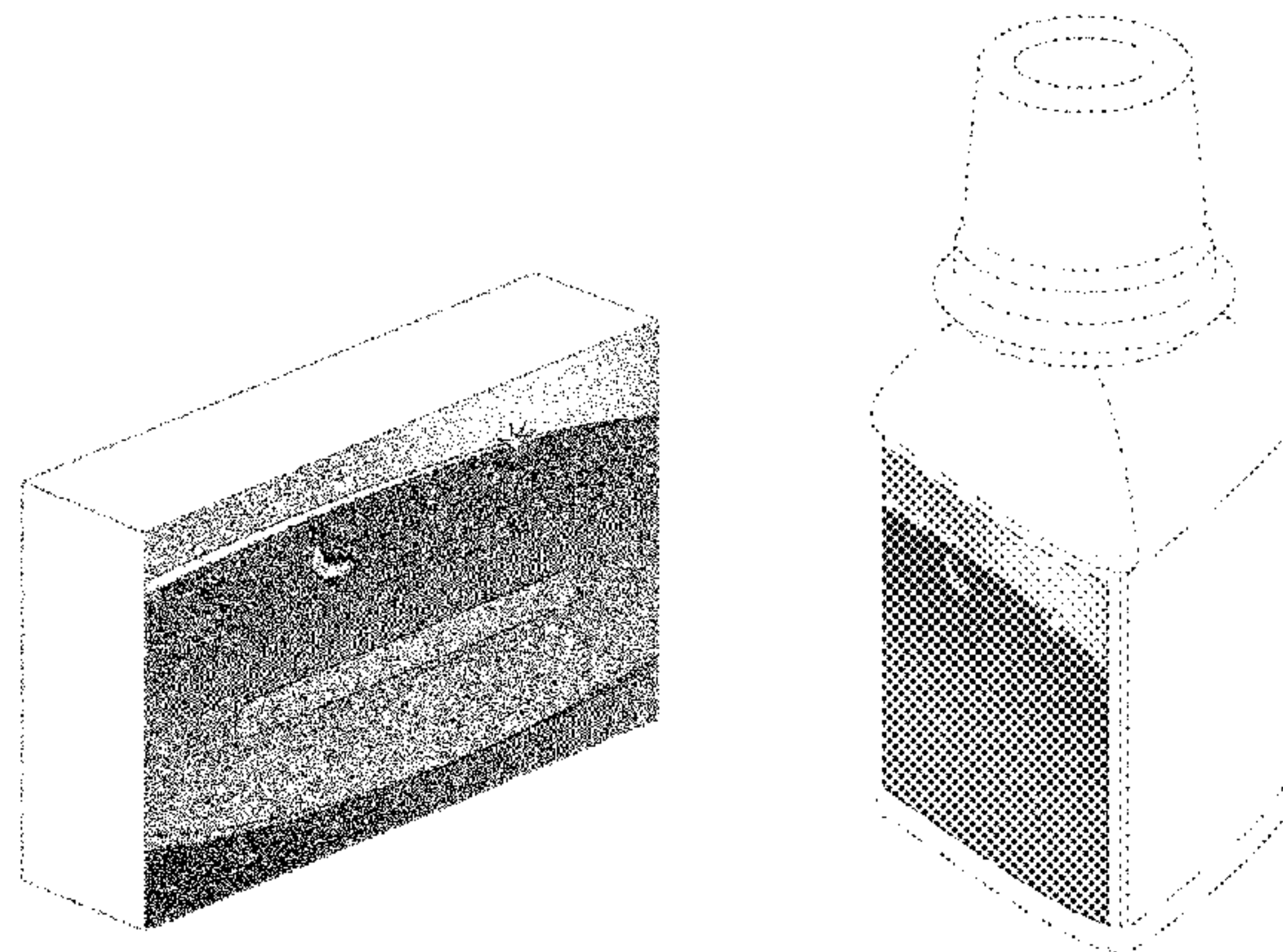


FIG. 34 is a top view thereof;  
FIG. 35 is a bottom view thereof;  
FIG. 36 is a perspective view of a sixth embodiment of a packaging container with surface ornamentation embodying our new design;  
FIG. 37 is a front view thereof;  
FIG. 38 is a rear side view thereof;  
FIG. 39 is a right side view thereof;  
FIG. 40 is a left view thereof;  
FIG. 41 is a top view thereof;  
FIG. 42 is a bottom view thereof;  
FIG. 43 is a perspective view of a seventh embodiment of a packaging container with surface ornamentation embodying our new design;  
FIG. 44 is a front view thereof;  
FIG. 45 is a rear side view thereof;  
FIG. 46 is a right side view thereof;  
FIG. 47 is a left view thereof;  
FIG. 48 is a top view thereof;  
FIG. 49 is a bottom view thereof;  
FIG. 50 is a perspective view of an eighth embodiment of a packaging container with surface ornamentation embodying our new design;  
FIG. 51 is a front view thereof;  
FIG. 52 is a rear view thereof;  
FIG. 53 is a right side view thereof;  
FIG. 54 is a left side view thereof;  
FIG. 55 is a top view thereof;  
FIG. 56 is a bottom view thereof;  
FIG. 57 is a perspective view of a ninth embodiment of a packaging container with surface ornamentation embodying our new design;  
FIG. 58 is a front view thereof;  
FIG. 59 is a rear view thereof;  
FIG. 60 is left side view thereof;  
FIG. 61 is a right side view thereof;  
FIG. 62 is a top view thereof;  
FIG. 63 is a bottom view thereof;  
FIG. 64 is a perspective view of an tenth embodiment of a packaging container with surface ornamentation embodying our new design;  
FIG. 65 is a front view thereof;  
FIG. 66 is a rear view thereof;  
FIG. 67 is a left side view thereof;  
FIG. 68 is a right side view thereof;  
FIG. 69 is a top view thereof;  
FIG. 70 is a bottom view thereof;  
FIG. 71 is a perspective view of an eleventh embodiment of a packaging container with surface ornamentation embodying our new design;  
FIG. 72 is a front view thereof;  
FIG. 73 is a rear view thereof;  
FIG. 74 is a left side view thereof;

FIG. 75 is a right side view thereof;  
FIG. 76 is a top view thereof;  
FIG. 77 is a bottom view thereof;  
FIG. 78 is a perspective view of a twelfth embodiment of a packaging container with surface ornamentation embodying our new design;  
FIG. 79 is a front view thereof;  
FIG. 80 is a rear view thereof;  
FIG. 81 is a left side view thereof;  
FIG. 82 is a right side view thereof;  
FIG. 83 is a top view thereof;  
FIG. 84 is a bottom view thereof;  
FIG. 85 is a perspective view of a thirteenth embodiment of a packaging container with surface ornamentation embodying our new design;  
FIG. 86 is a front view thereof;  
FIG. 87 is a rear view thereof;  
FIG. 88 is a left side view thereof;  
FIG. 89 is a right side view thereof;  
FIG. 90 is a top view thereof;  
FIG. 91 is a bottom view thereof;  
FIG. 92 is a perspective view of a fourteenth embodiment of a packaging container with surface ornamentation embodying our new design;  
FIG. 93 is a front view thereof;  
FIG. 94 is a rear side view thereof;  
FIG. 95 is a left side view thereof;  
FIG. 96 is a right view thereof;  
FIG. 97 is a top view thereof;  
FIG. 98 is a bottom view thereof;  
FIG. 99 is a perspective view of a fifteenth embodiment of a packaging container with surface ornamentation embodying our new design;  
FIG. 100 is a front view thereof;  
FIG. 101 is a rear side view thereof;  
FIG. 102 is a left side view thereof;  
FIG. 103 is a right view thereof;  
FIG. 104 is a top view thereof;  
FIG. 105 is a bottom view thereof;  
FIG. 106 is a perspective view of a sixteenth embodiment of a packaging container with surface ornamentation embodying our new design;  
FIG. 107 is a front view thereof;  
FIG. 108 is a rear view thereof;  
FIG. 109 is a left side view thereof;  
FIG. 110 is a right side view thereof;  
FIG. 111 is a top view thereof; and,  
FIG. 112 is a bottom view thereof.  
Broken lines are included herein for illustrative purposes only and form no part of the claimed design.

**1 Claim, 55 Drawing Sheets  
(14 of 55 Drawing Sheet(s) Filed in Color)**



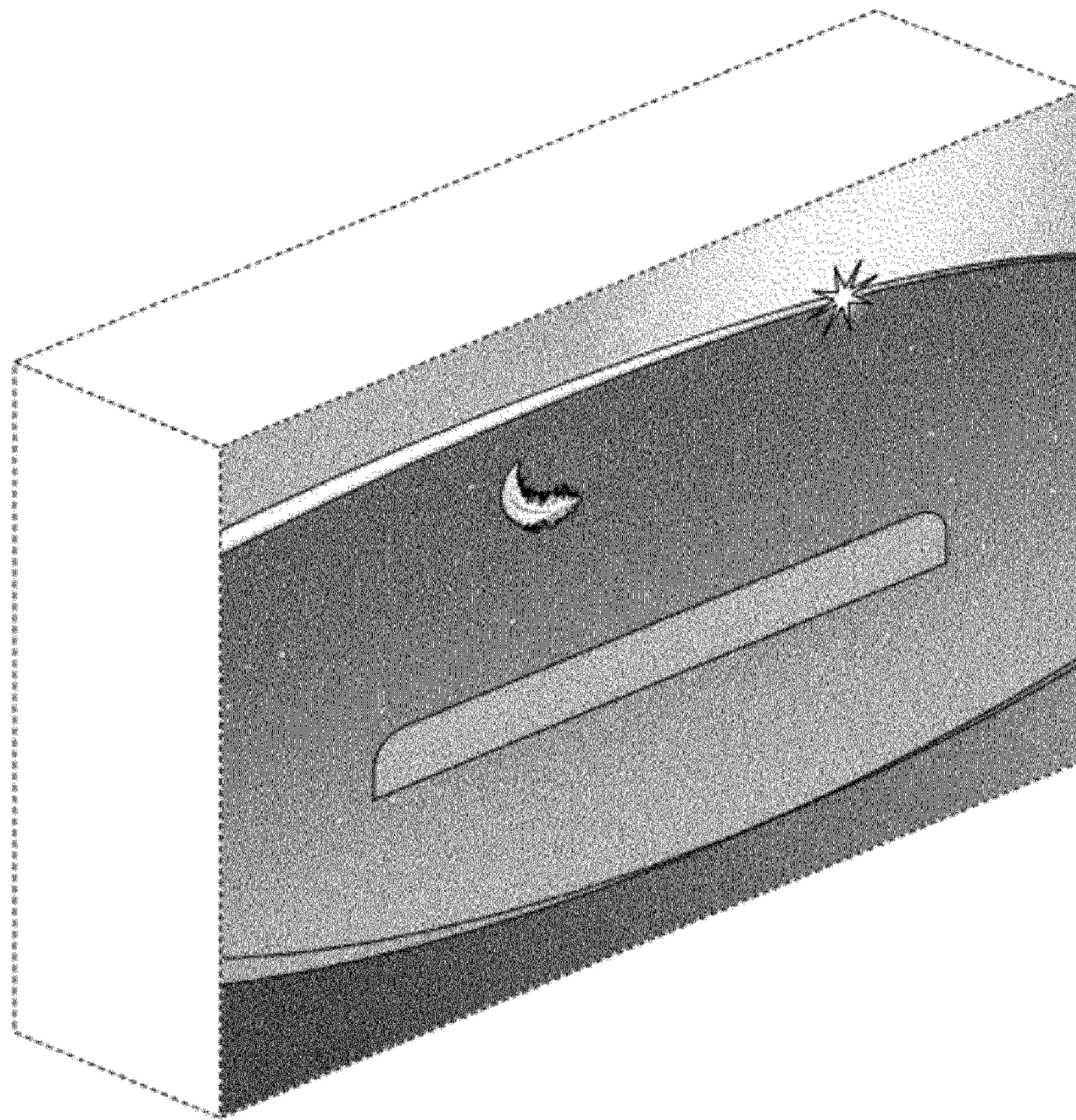


Fig. 1



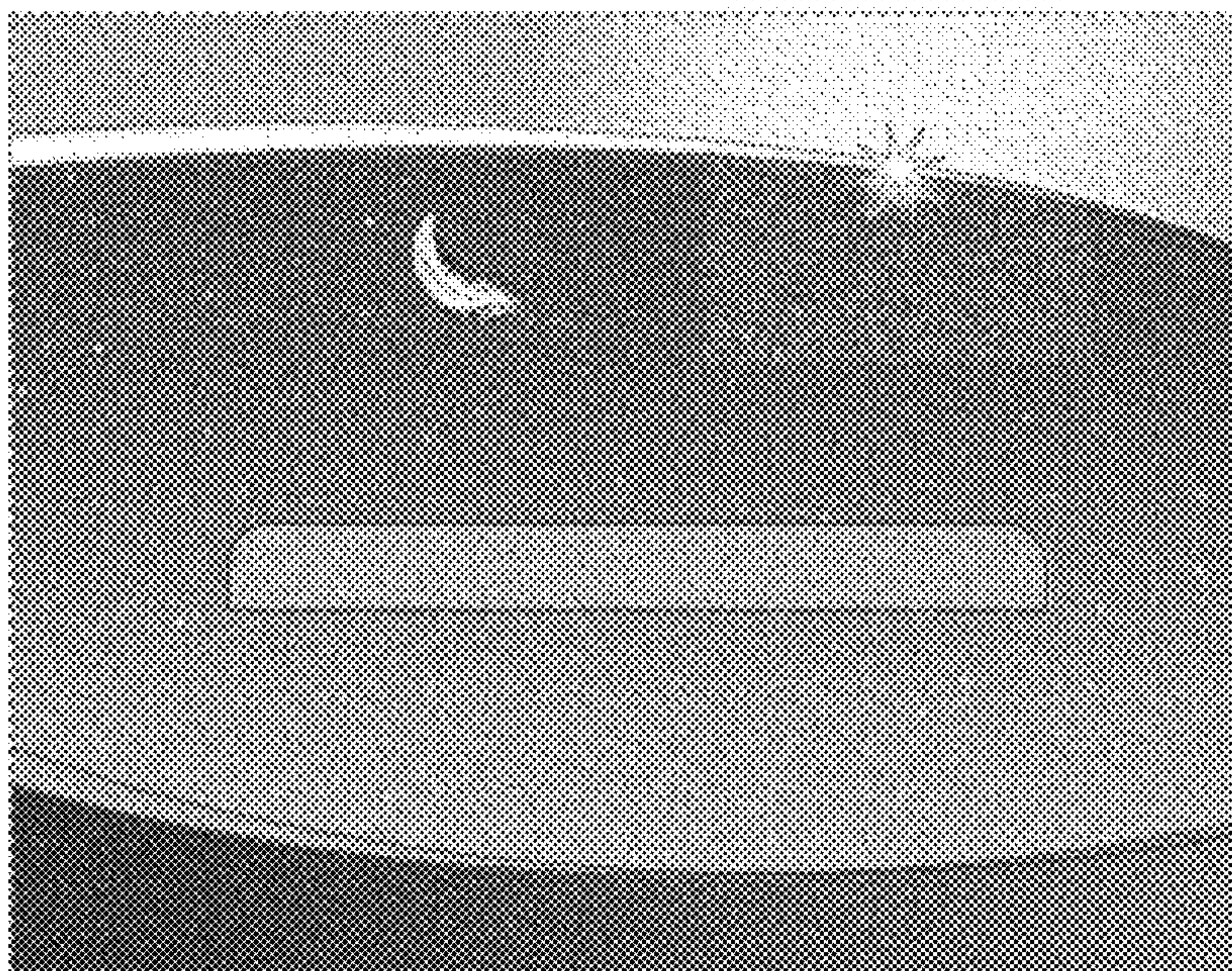


Fig. 2

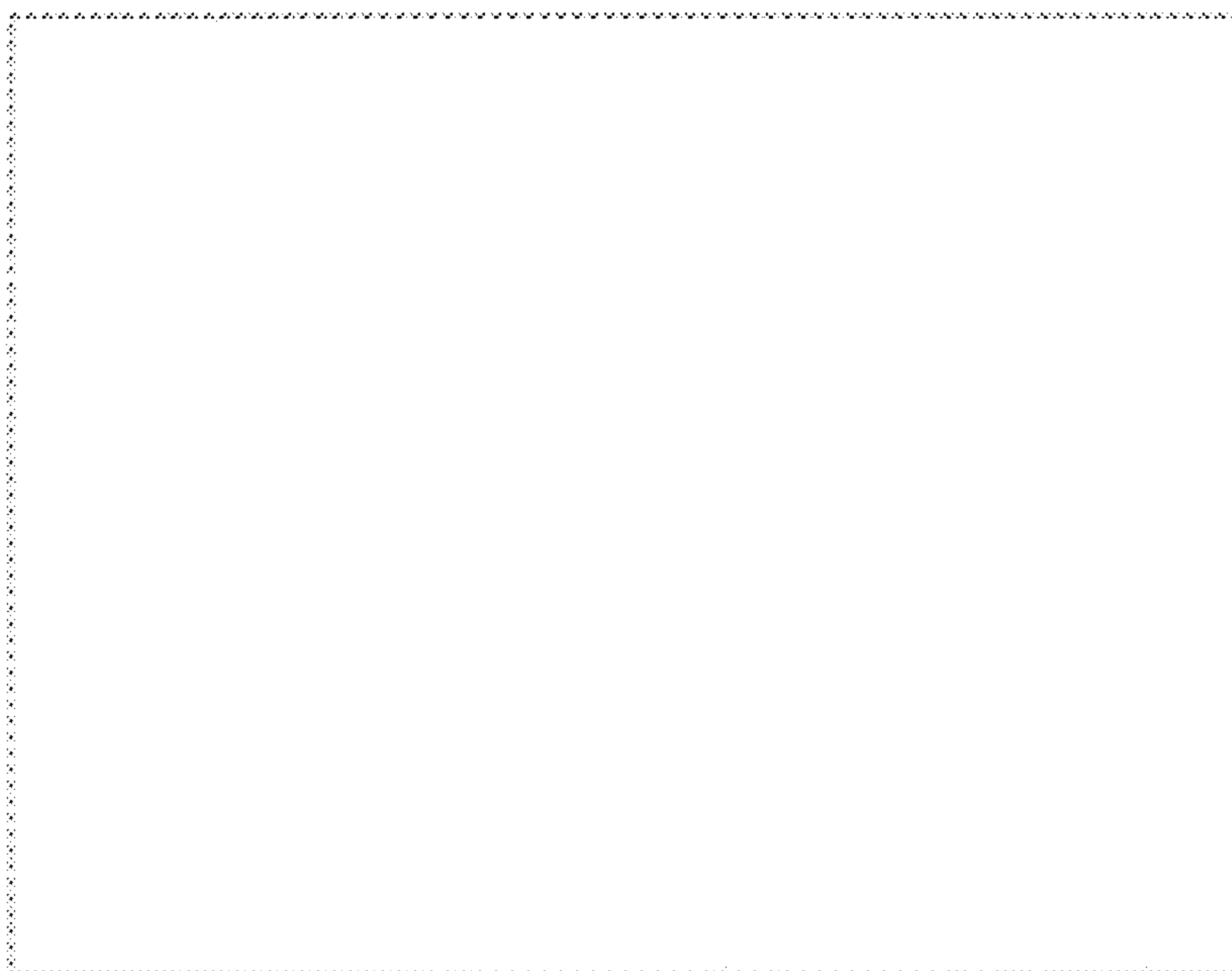


Fig. 3

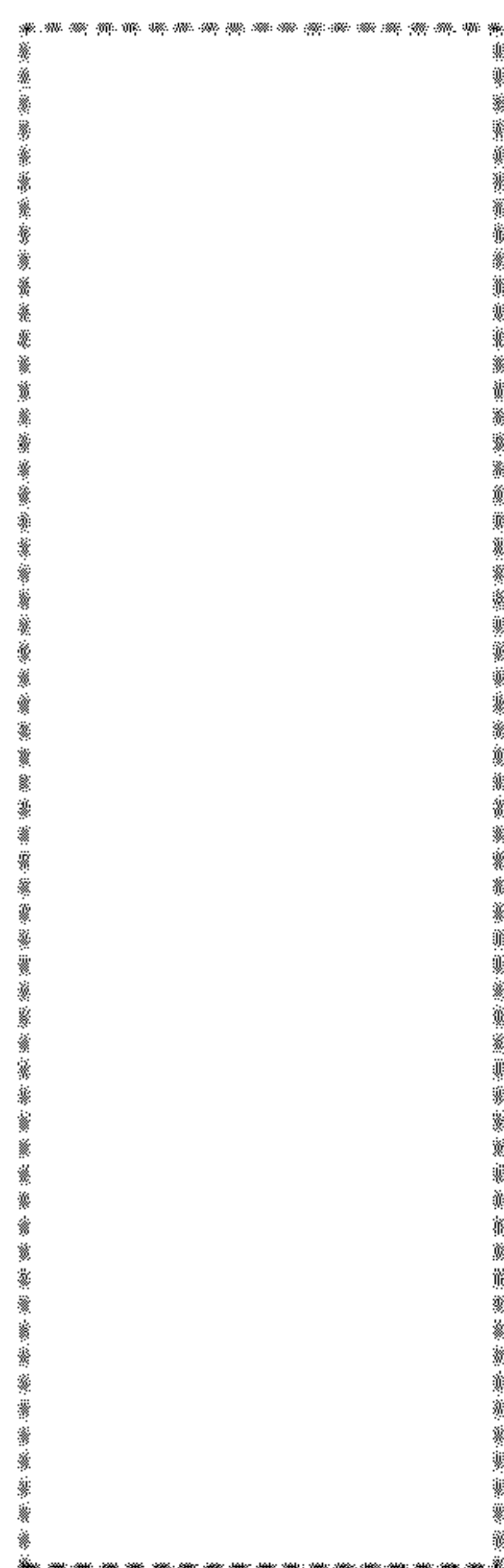


Fig. 4

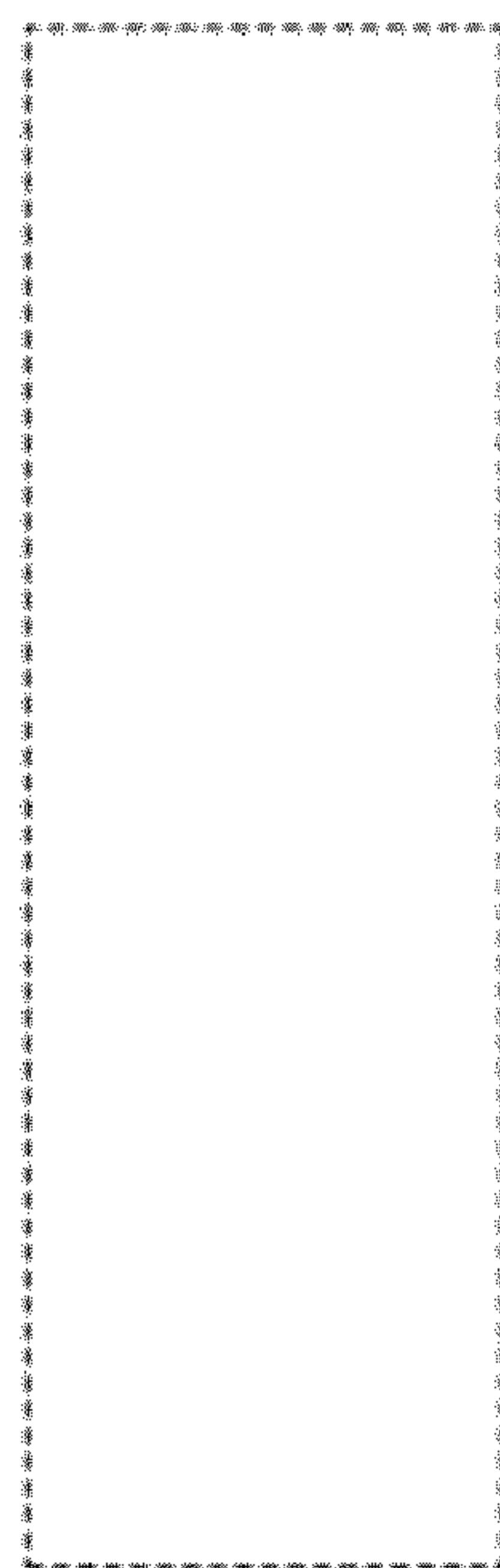


Fig. 5

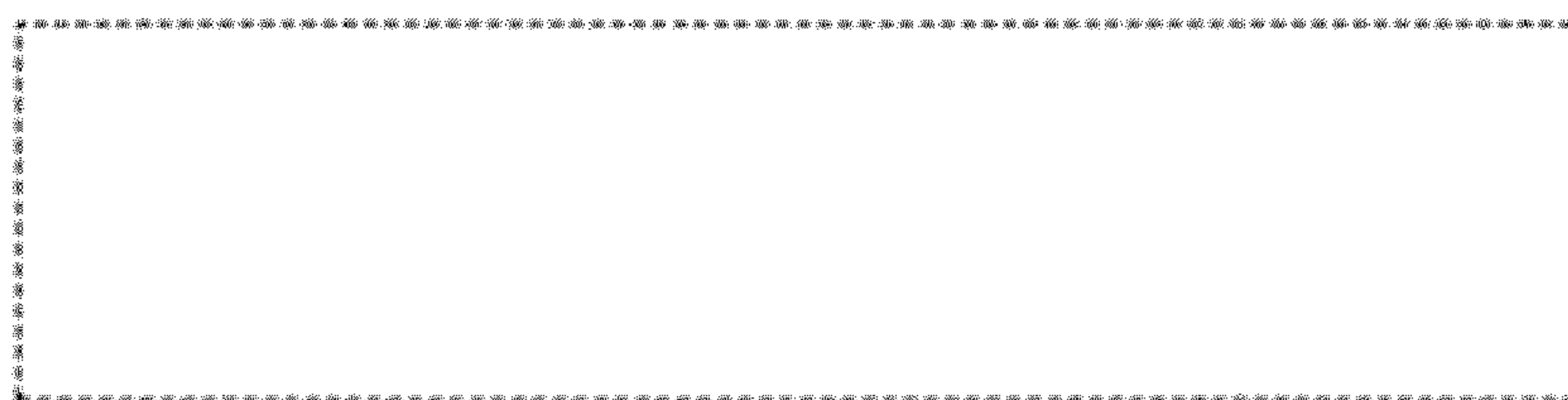


Fig. 6

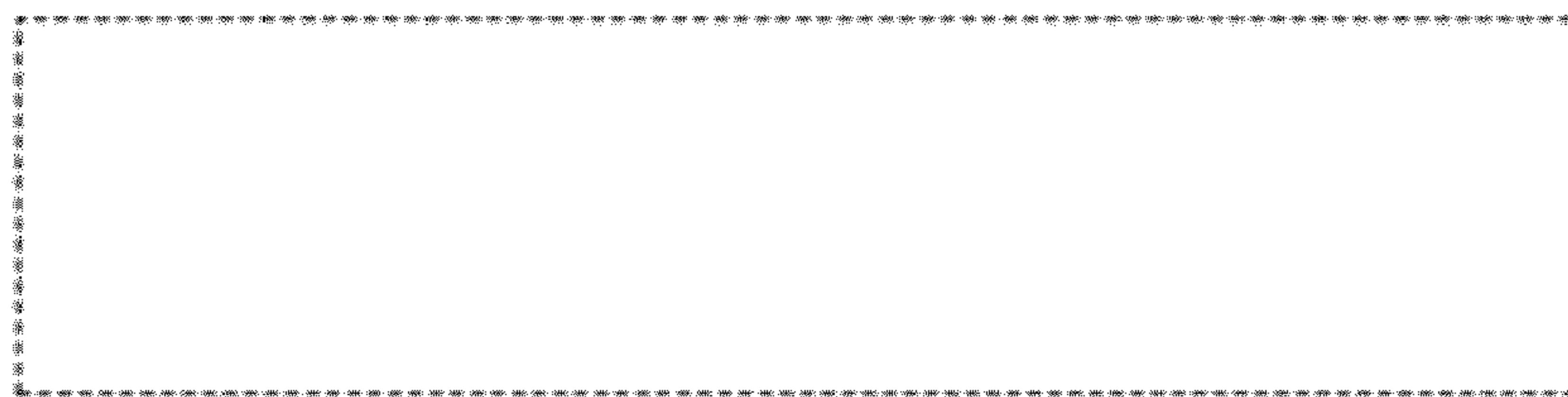


Fig. 7



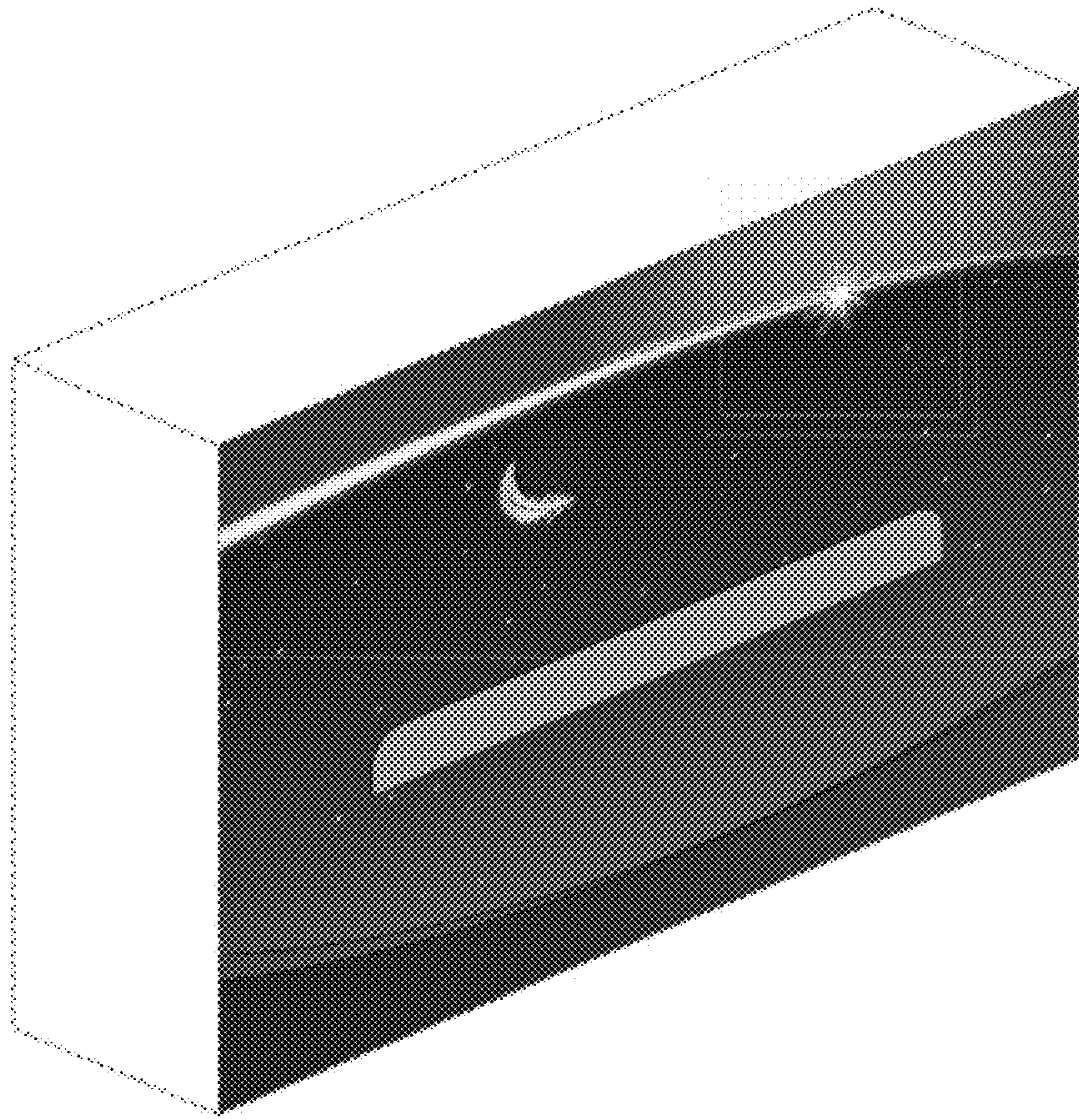


Fig. 8

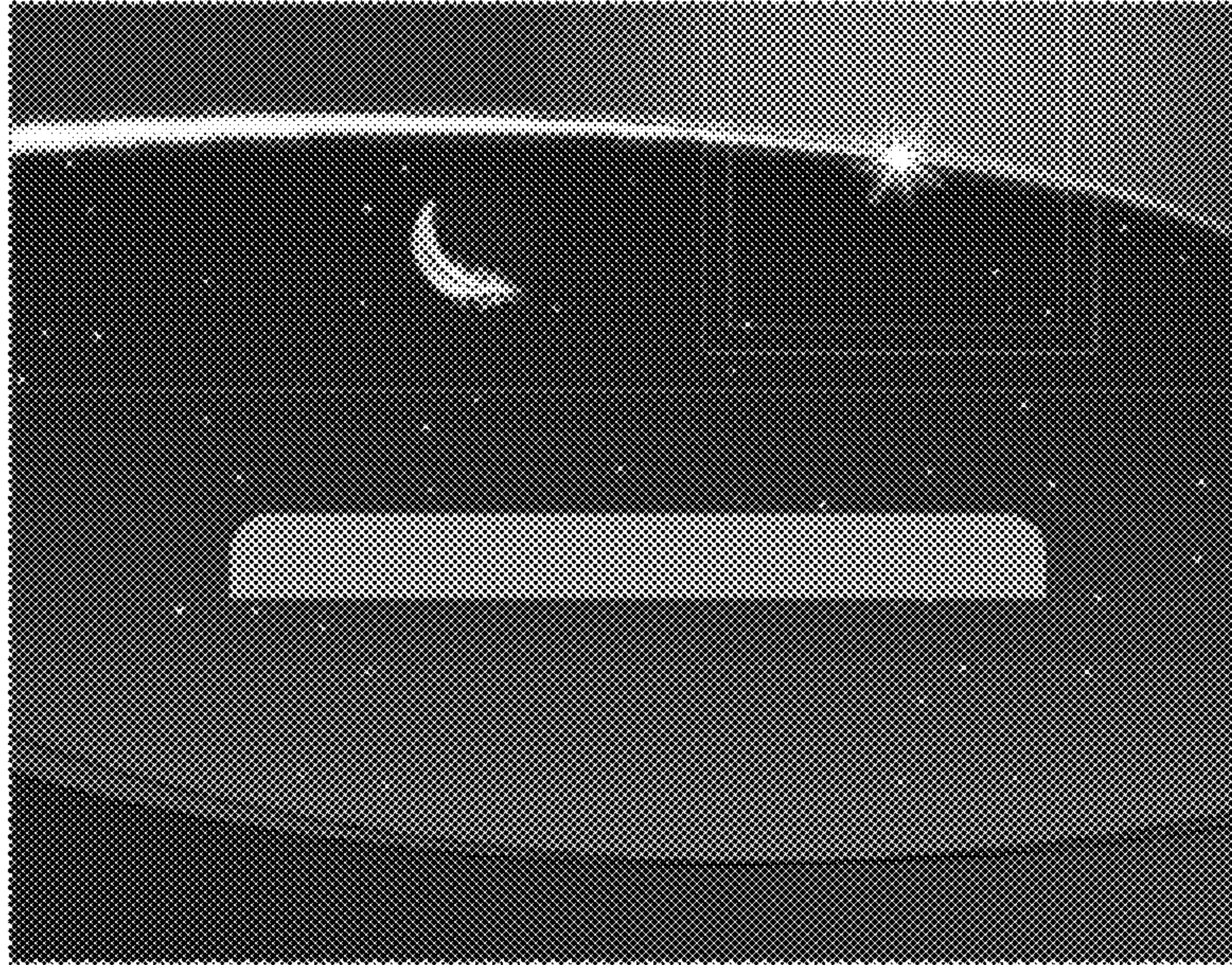


Fig. 9



Fig. 10



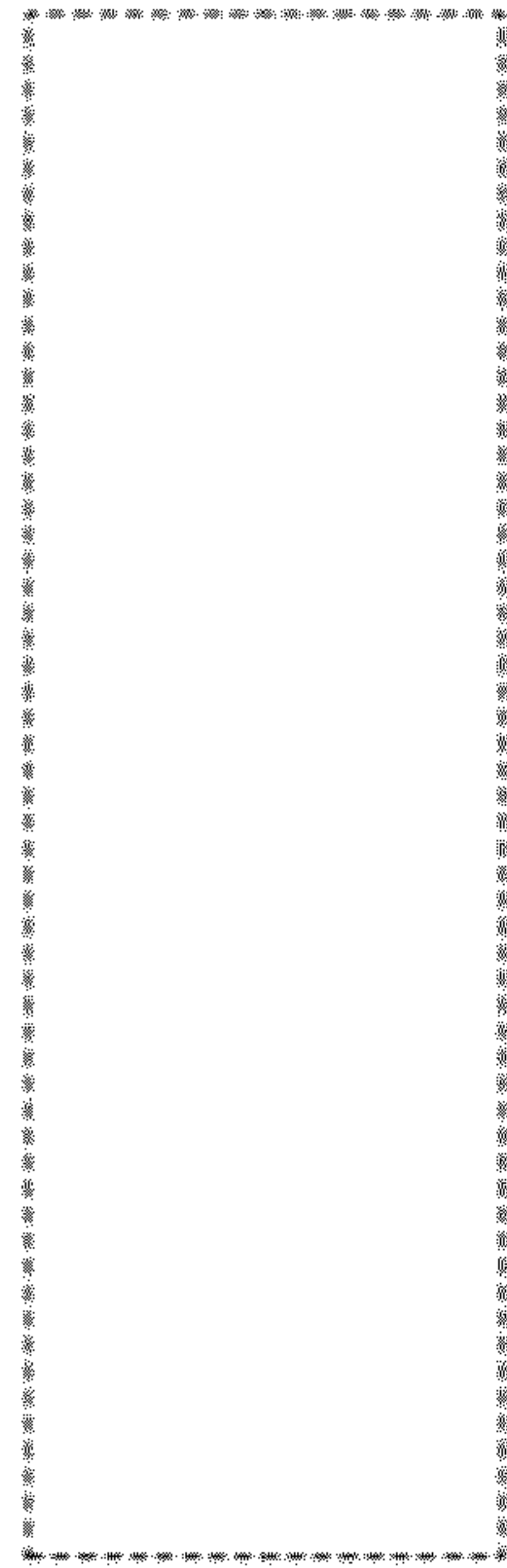


Fig. 11

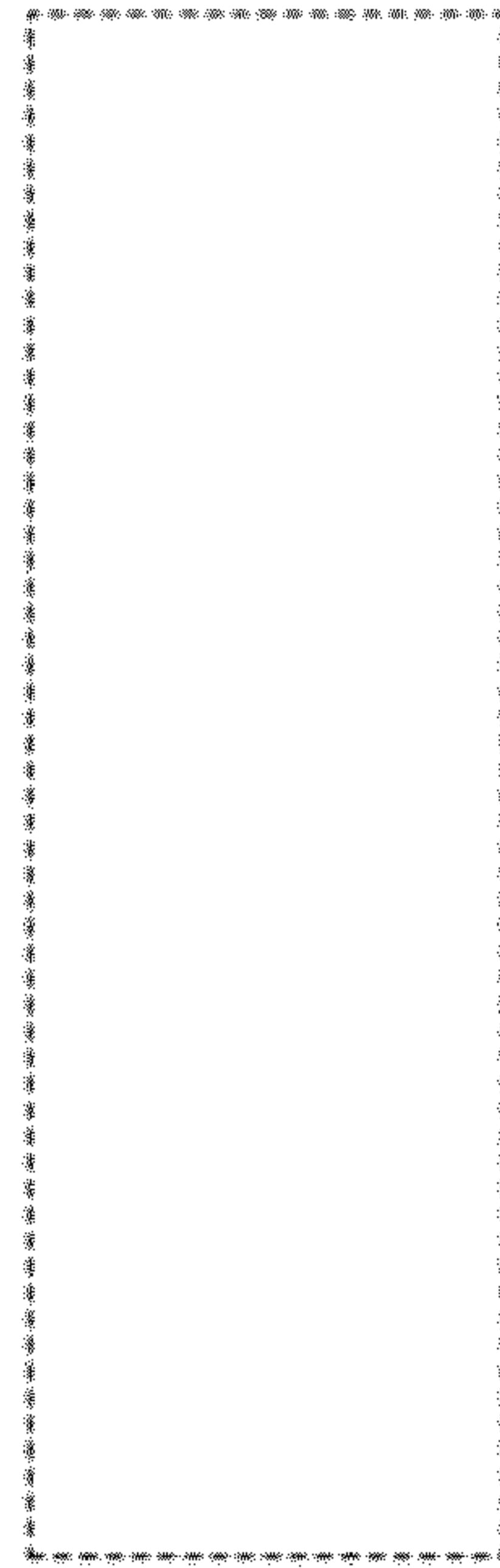


Fig. 12

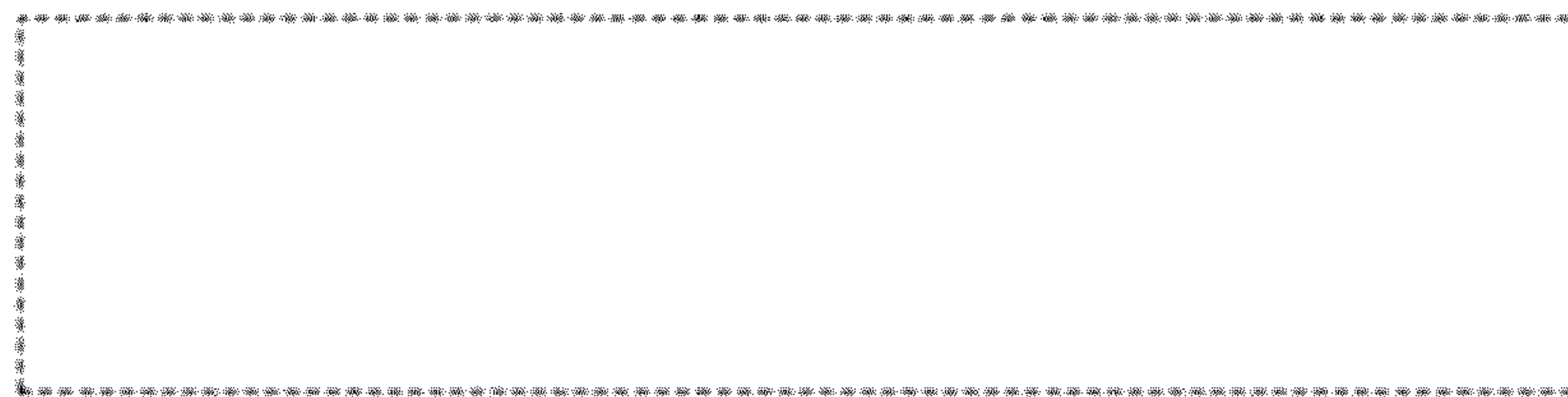


Fig. 13

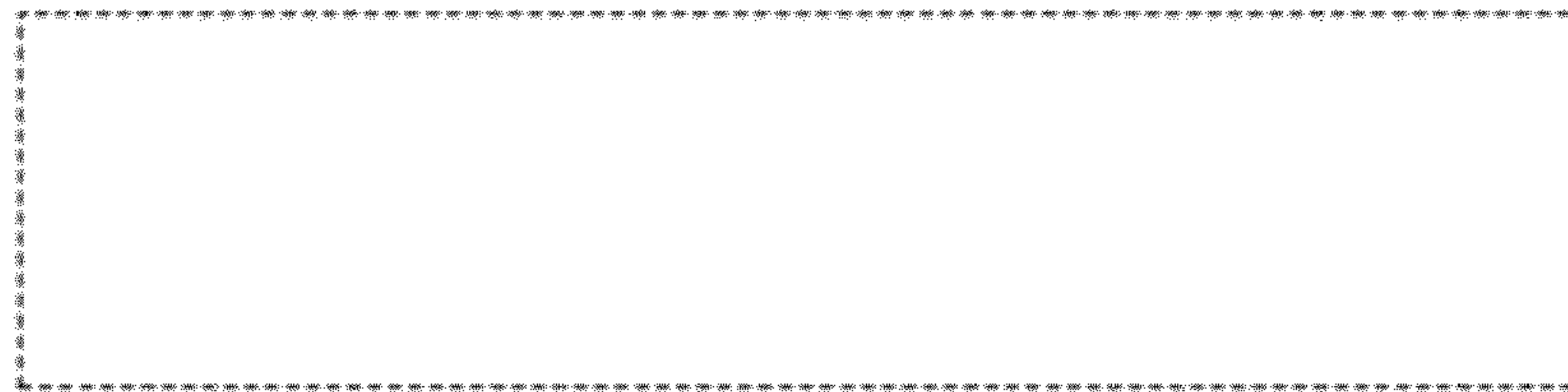


Fig. 14



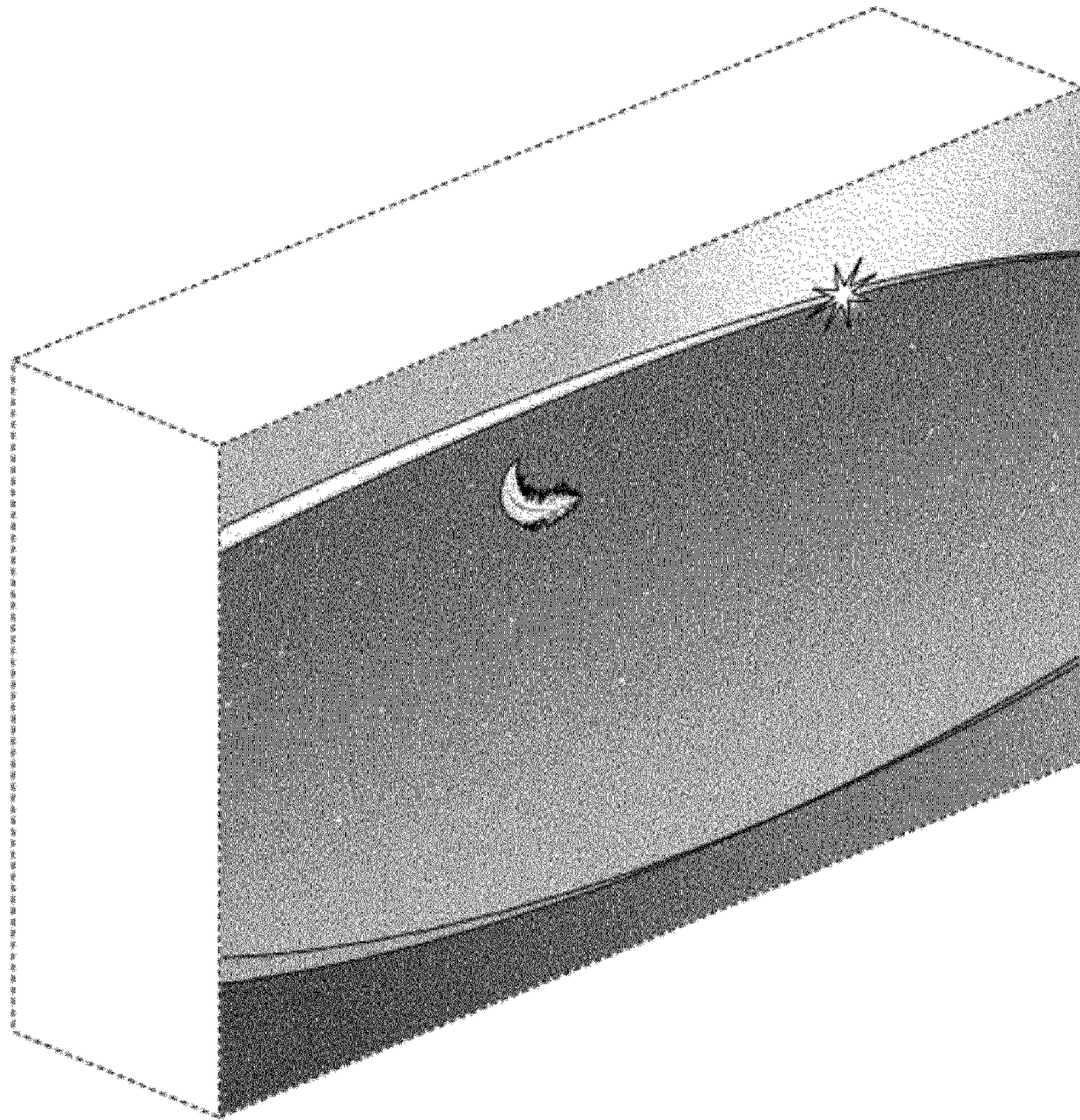


Fig. 15



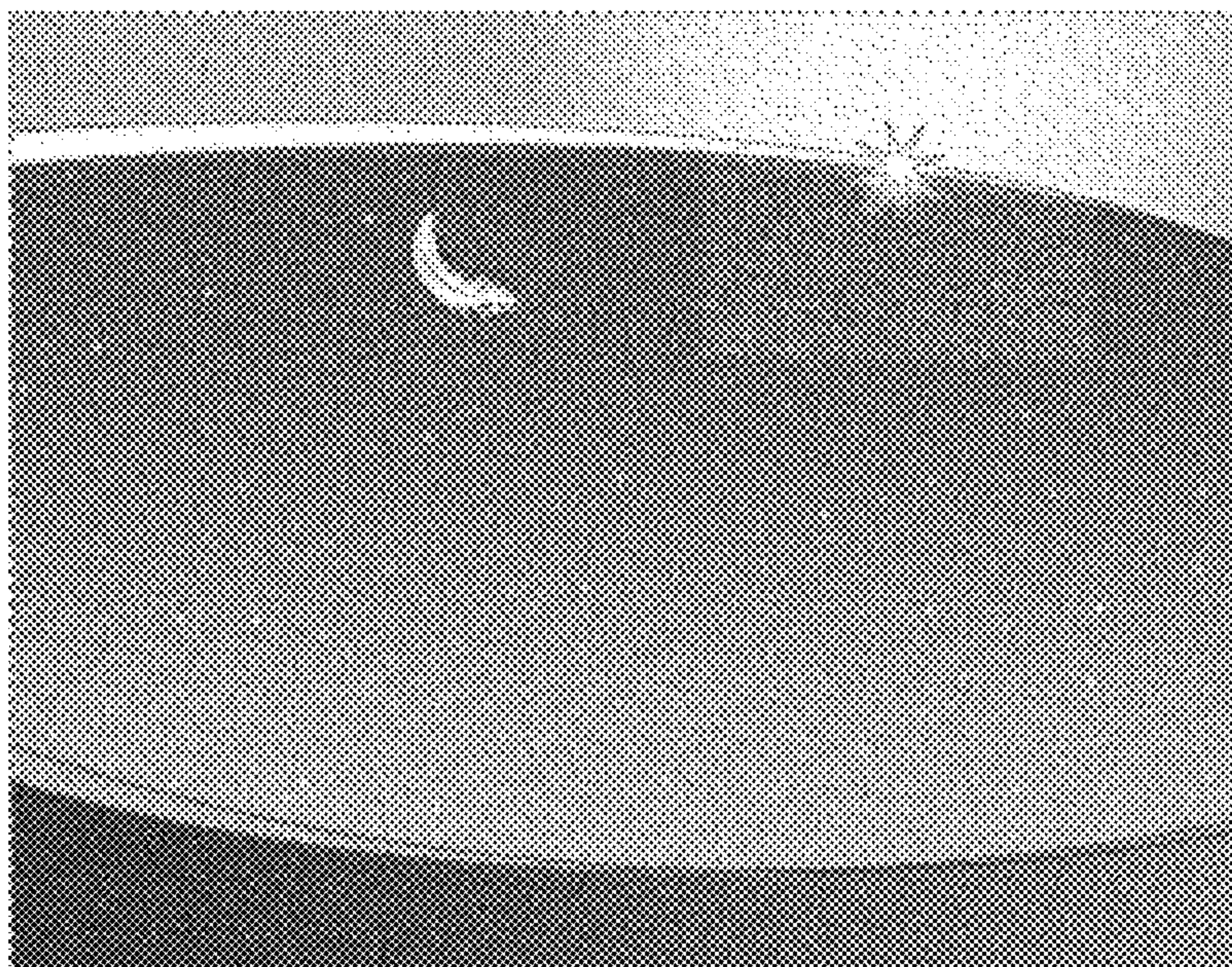


Fig. 16

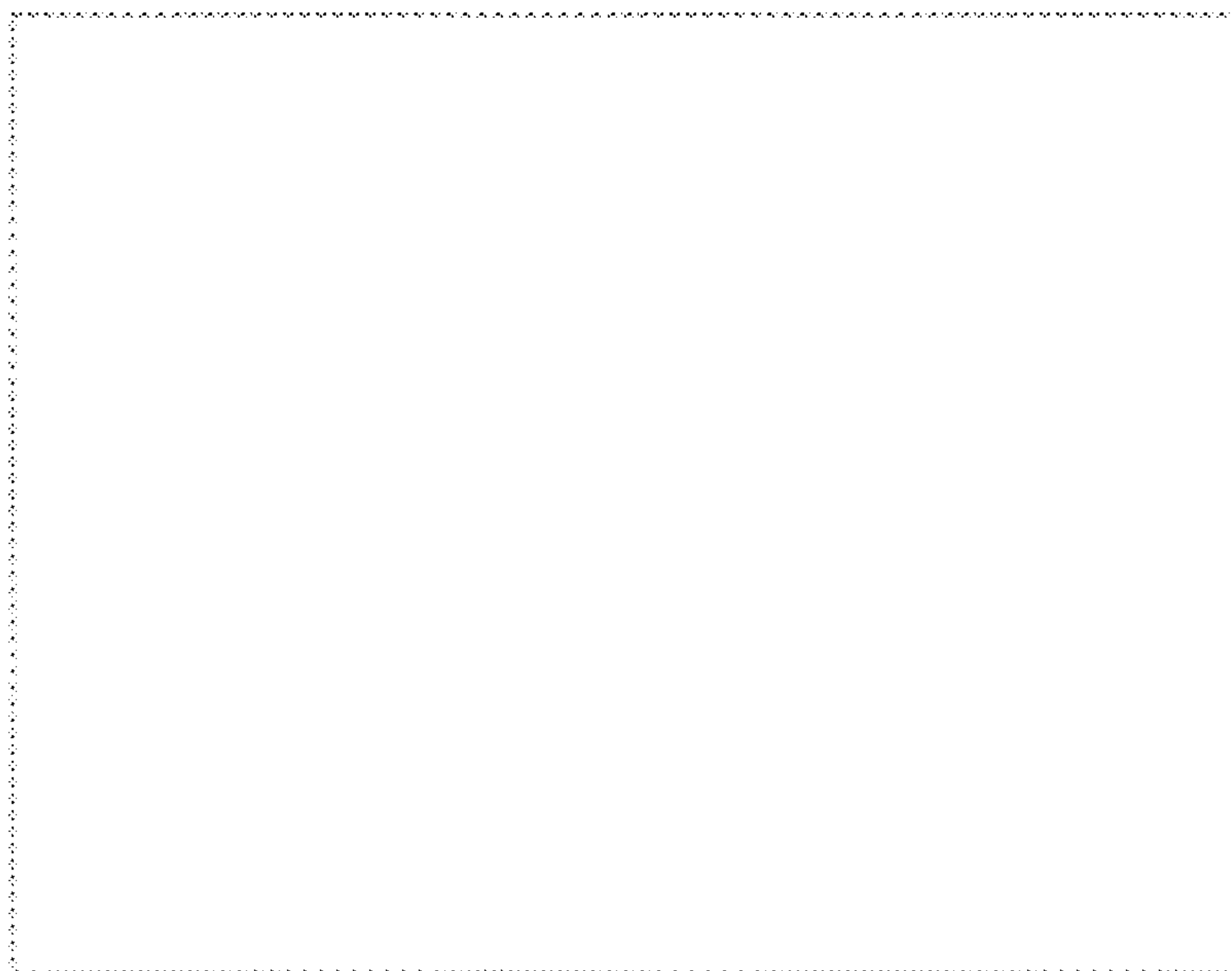


Fig. 17



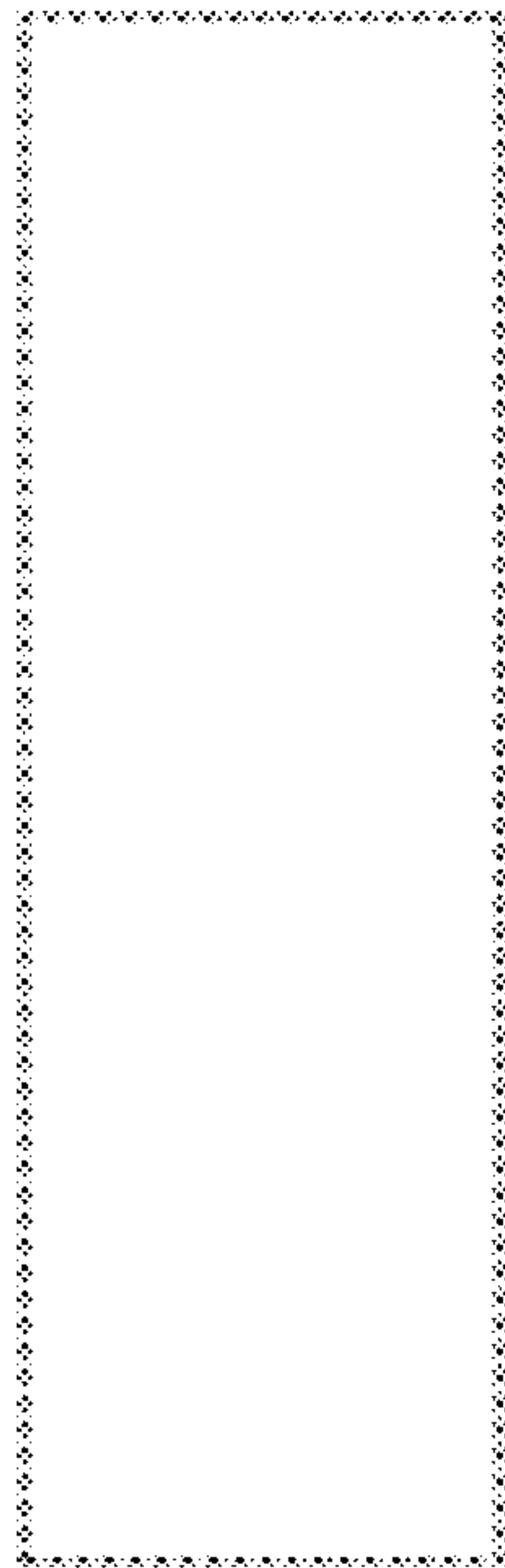


Fig. 18

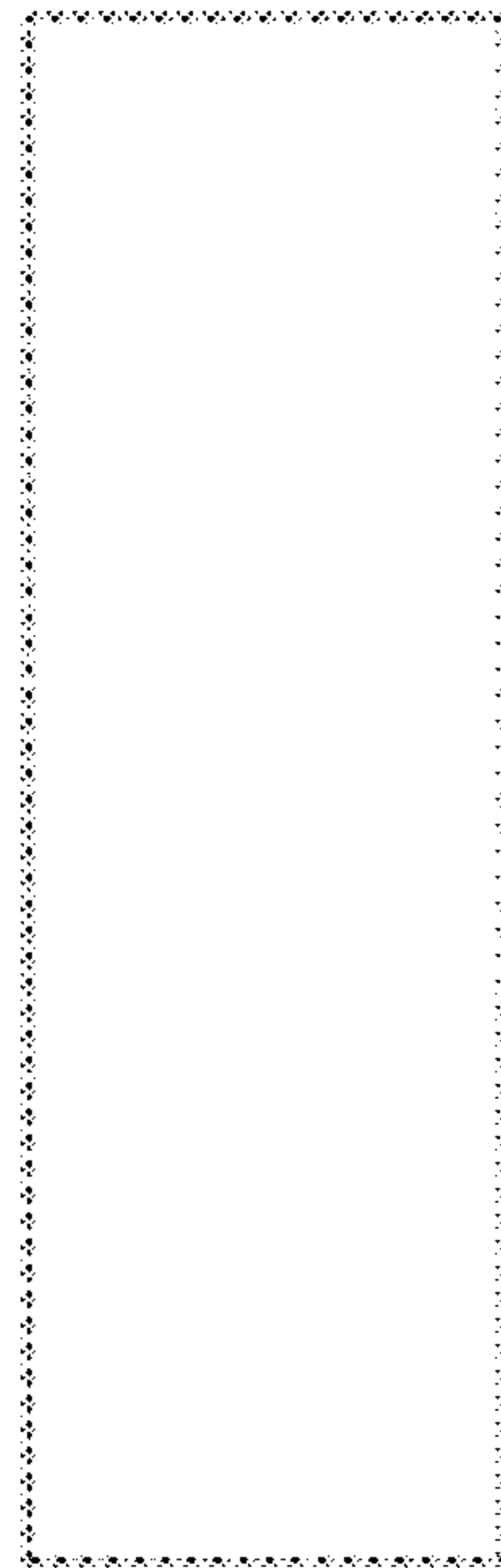


Fig. 19

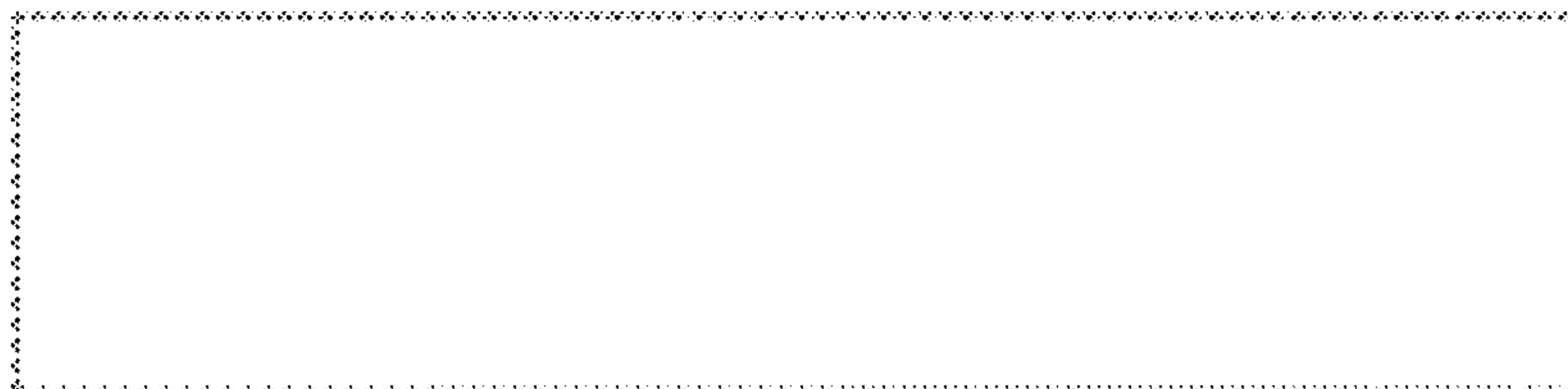


Fig. 20



Fig. 21

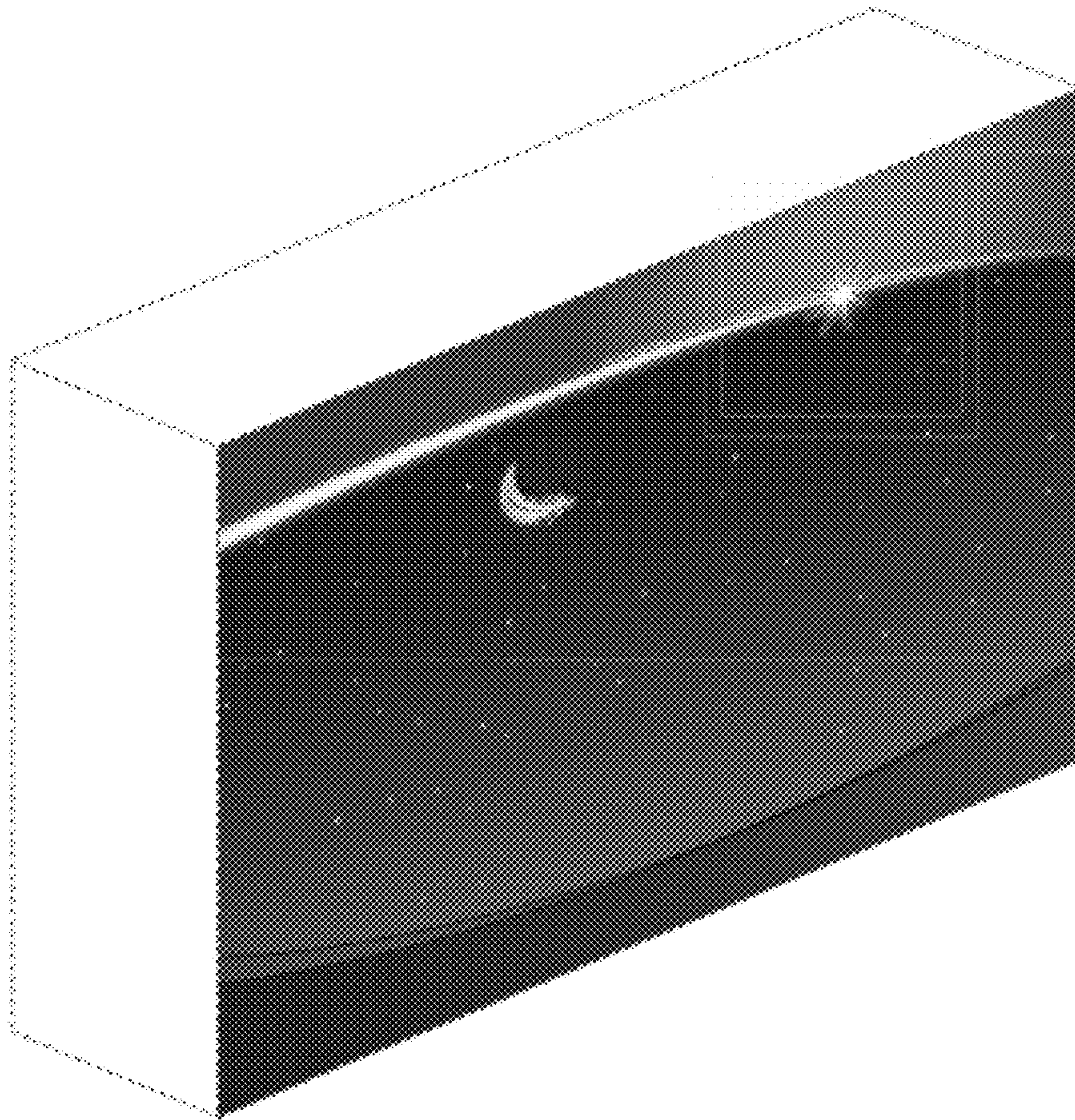


Fig. 22



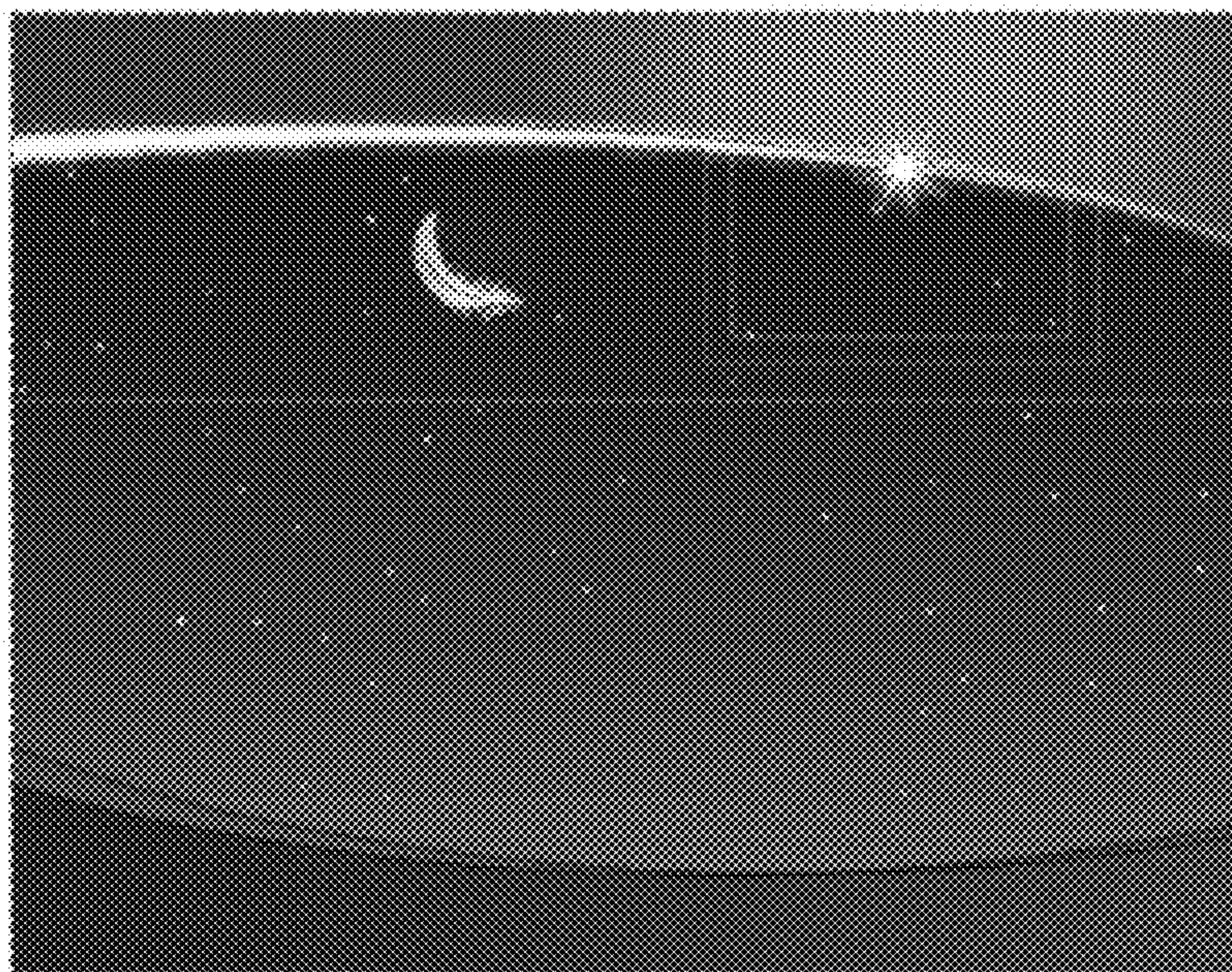


Fig. 23



Fig. 24

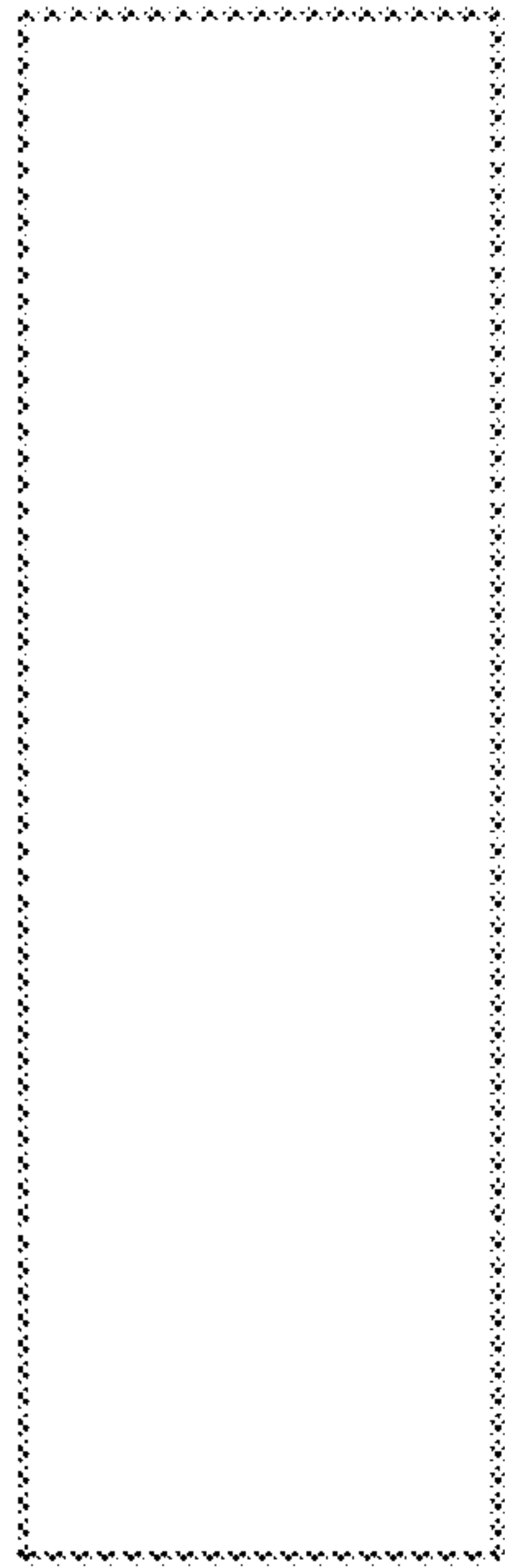


Fig 25

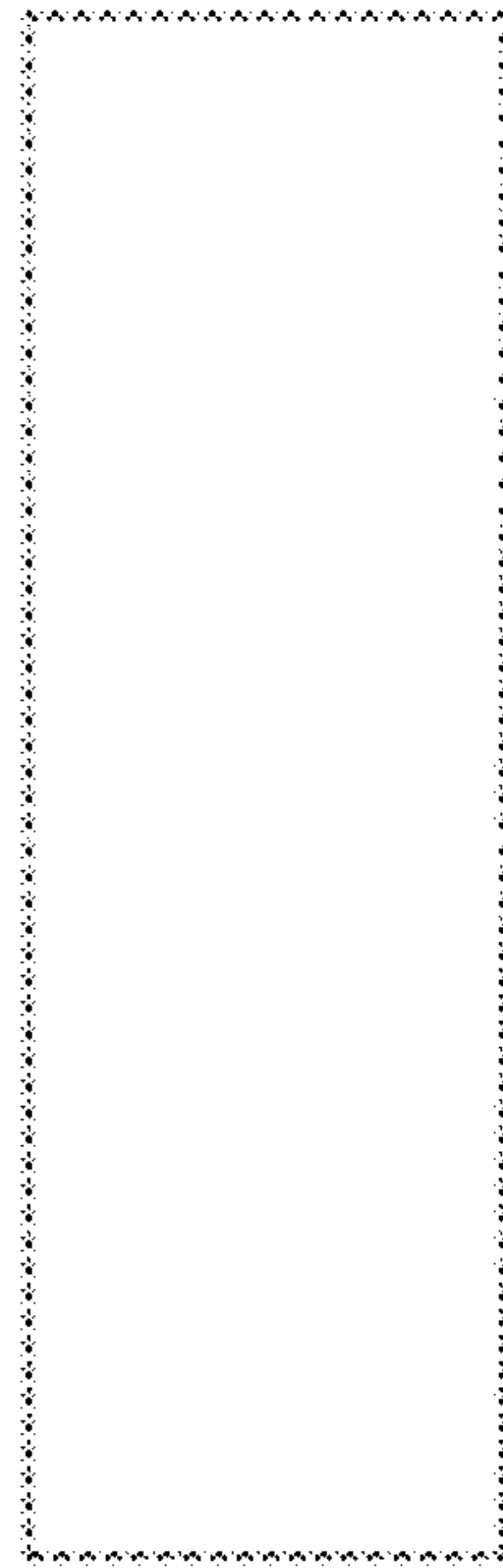


Fig 26

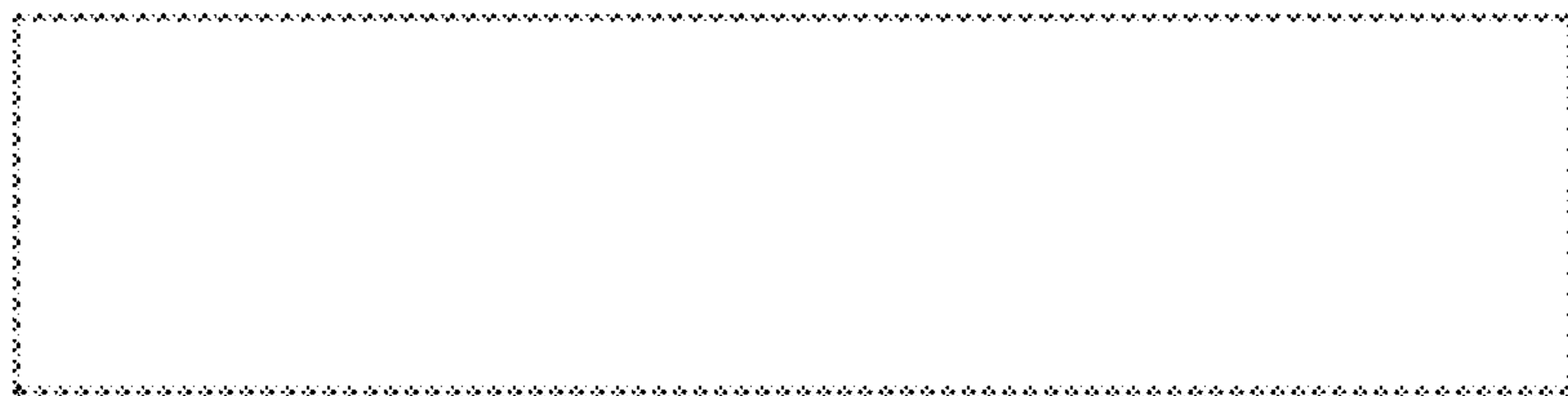


Fig 27



Fig 28



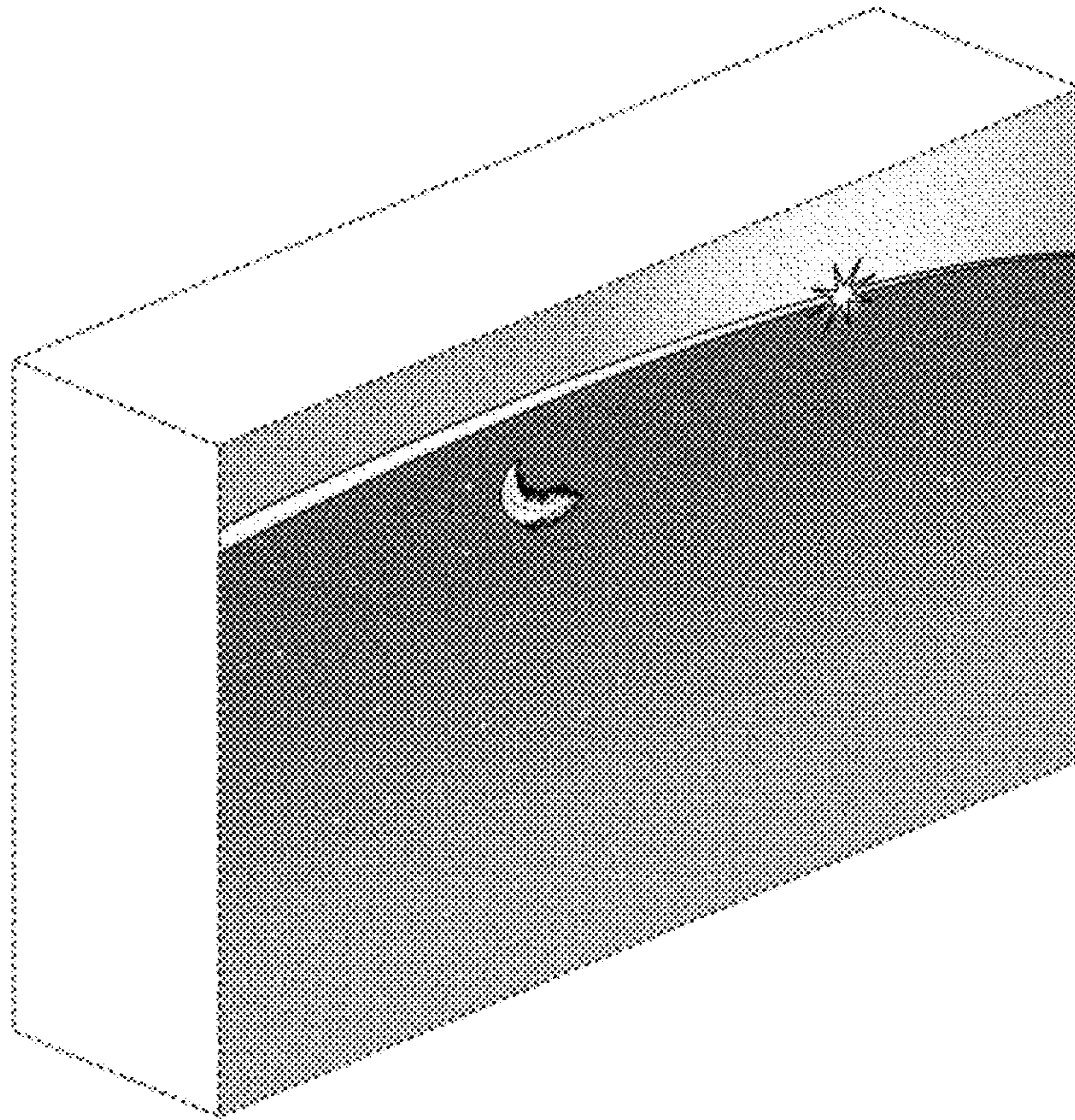


Fig. 29



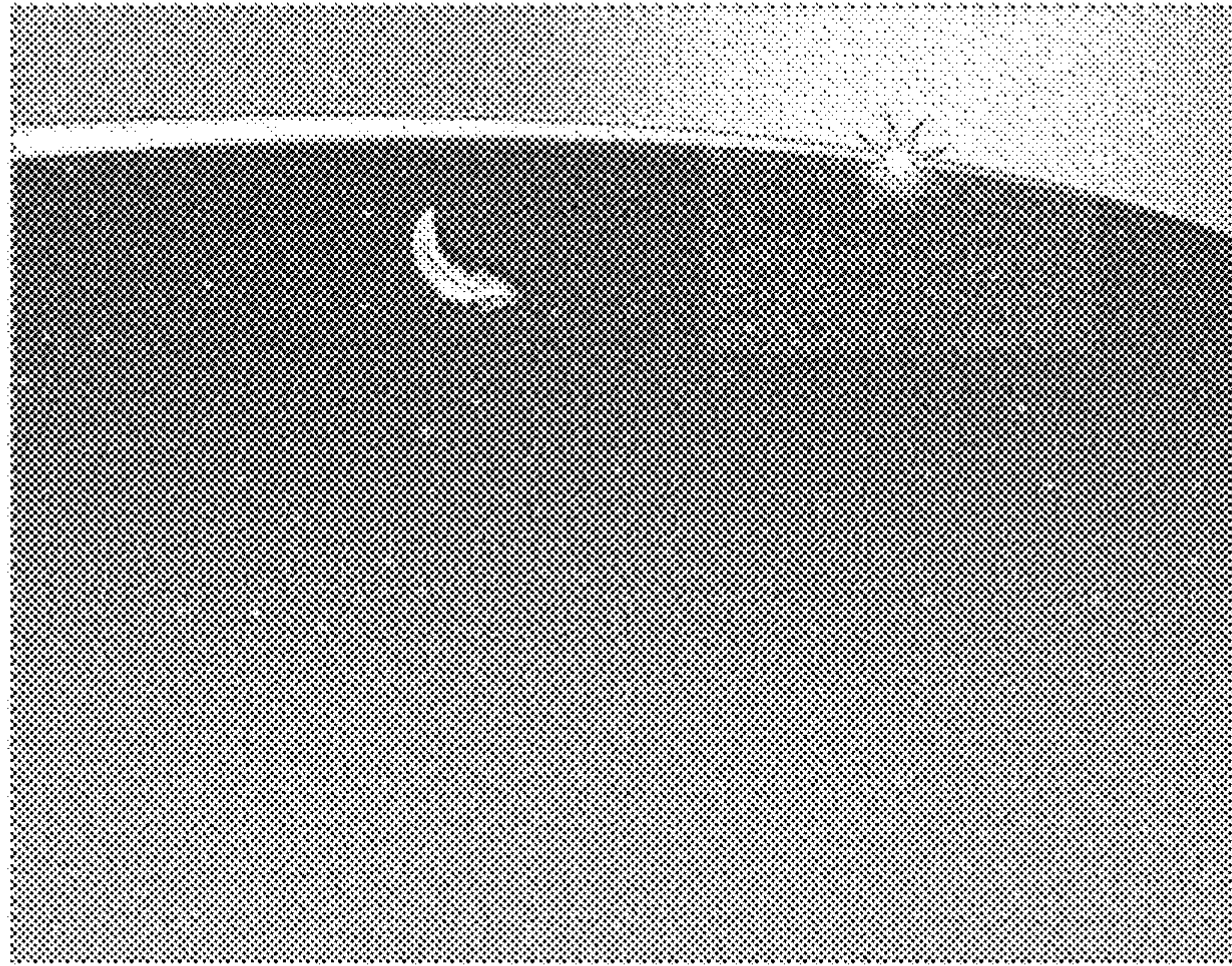


Fig. 30



Fig. 31



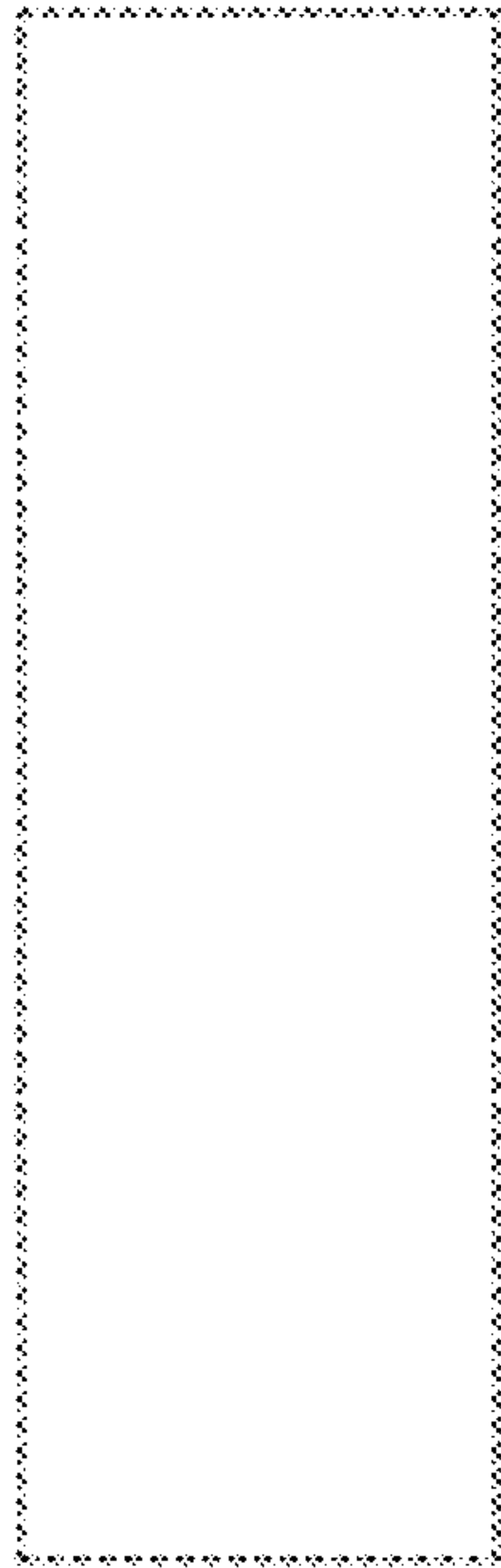


Fig. 32

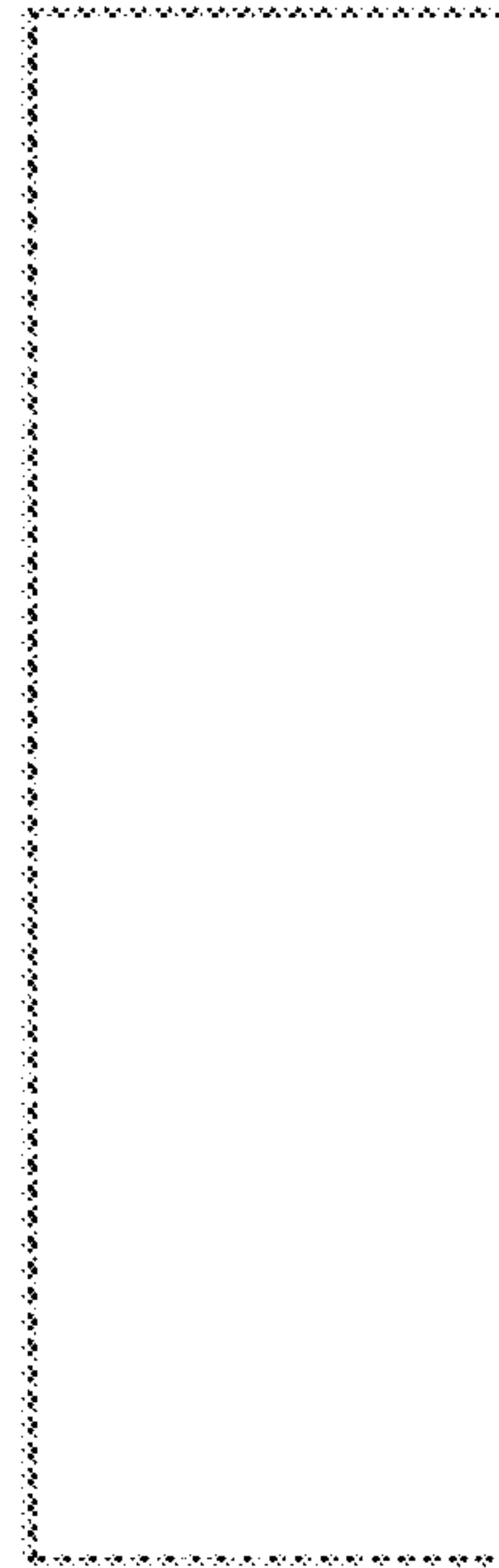


Fig. 33



Fig. 34



Fig. 35

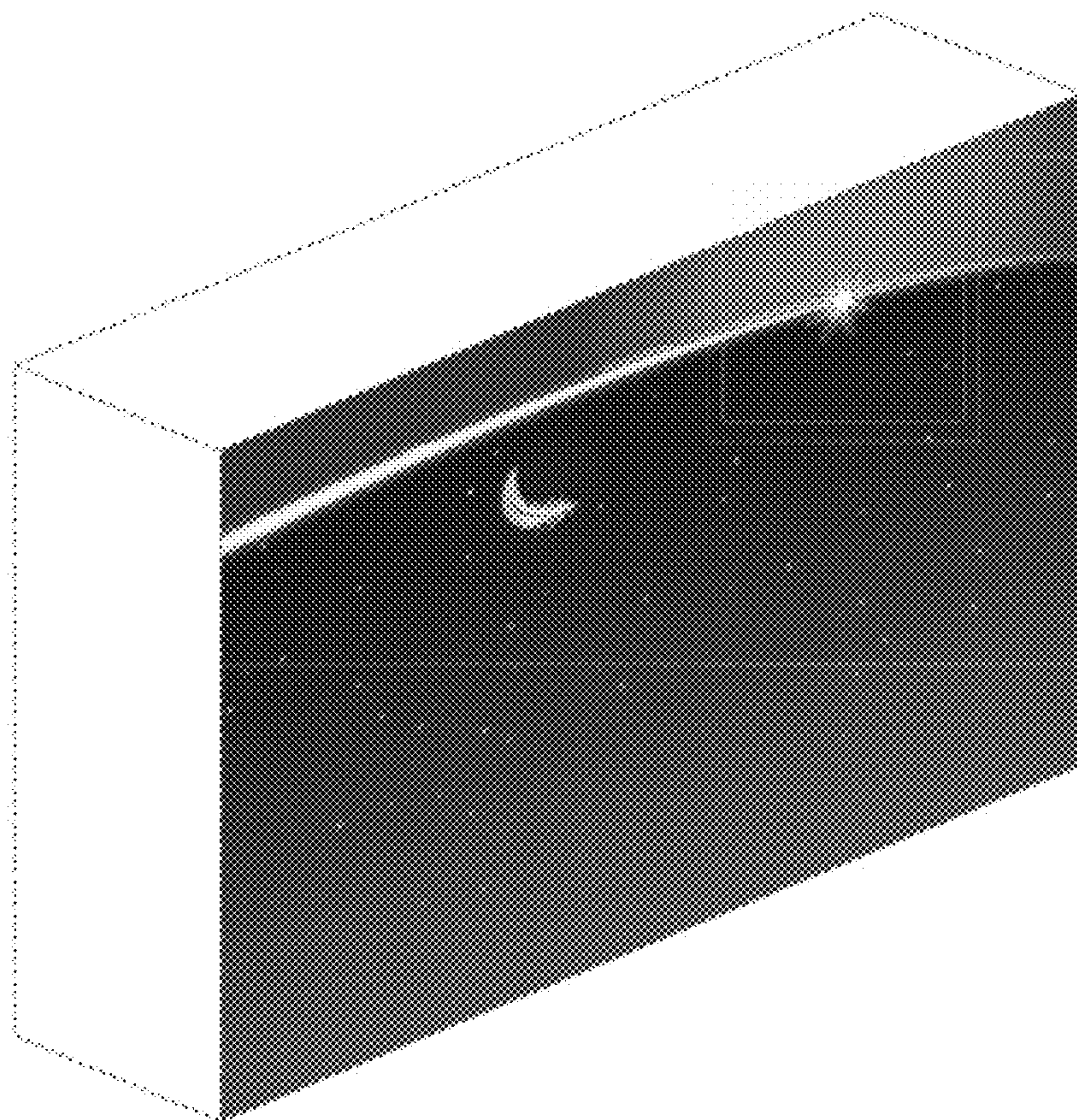


Fig. 36



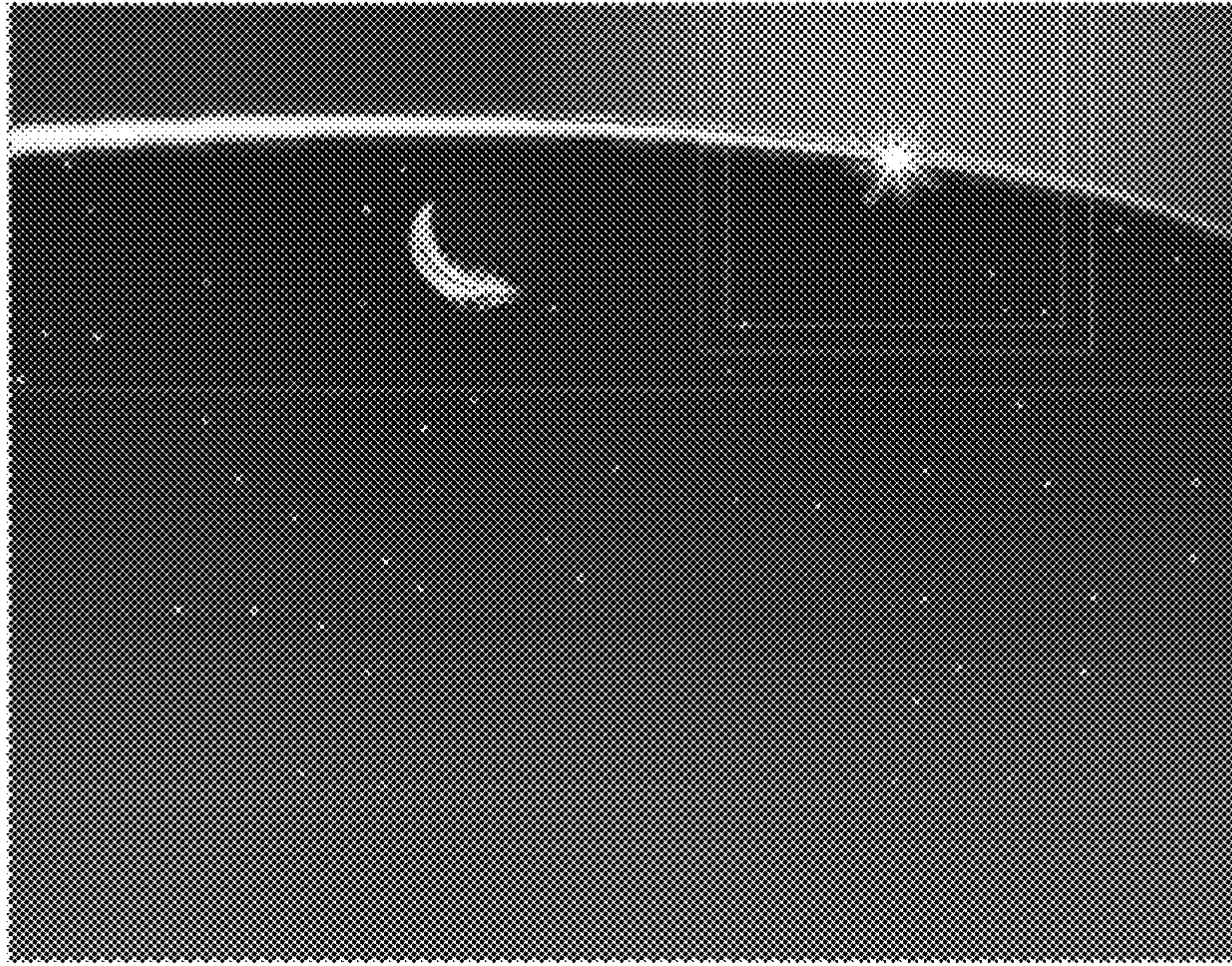


Fig. 37



Fig. 38

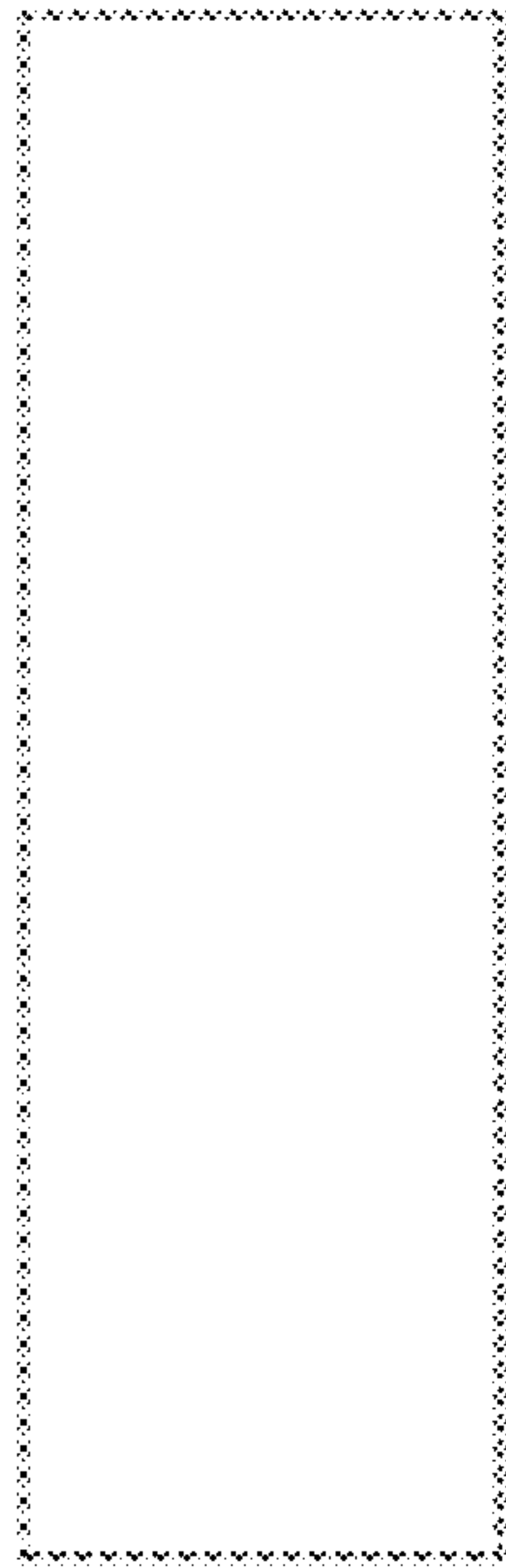


Fig. 39

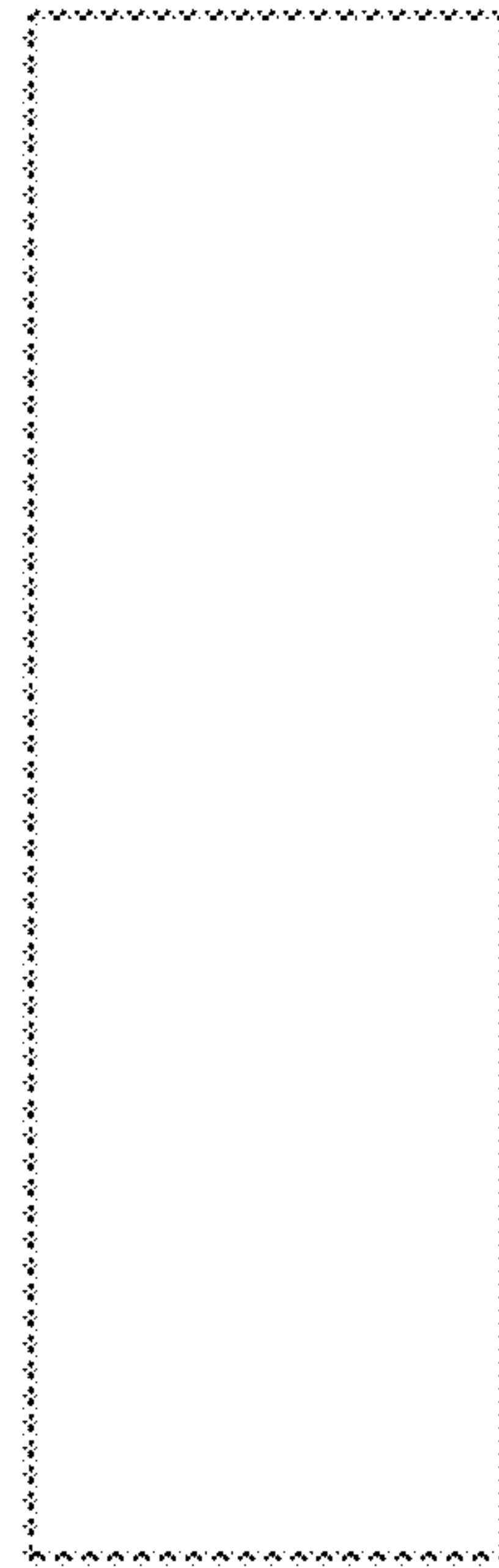


Fig. 40



Fig. 41



Fig. 42



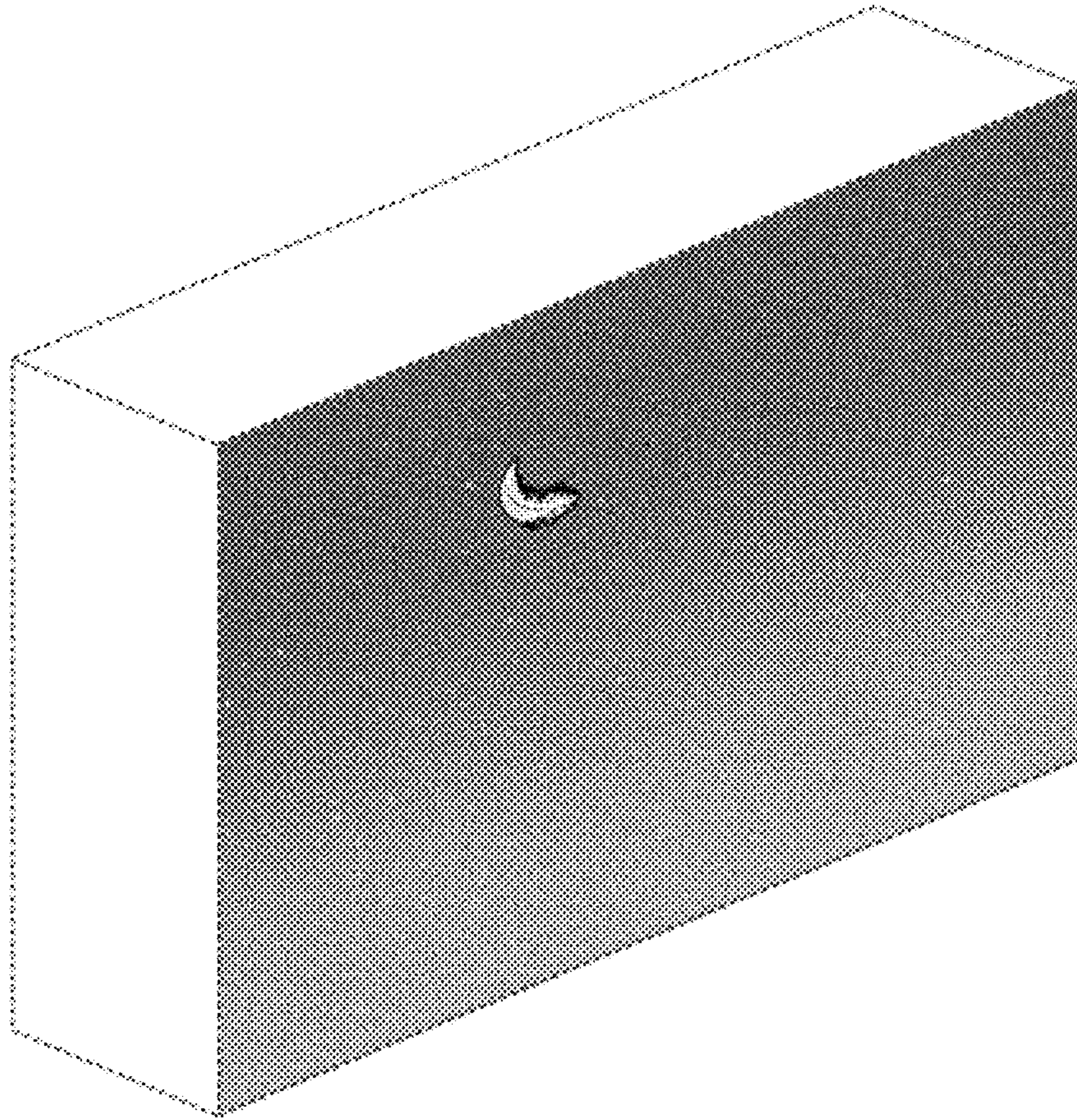


Fig. 43





Fig. 44



Fig. 45



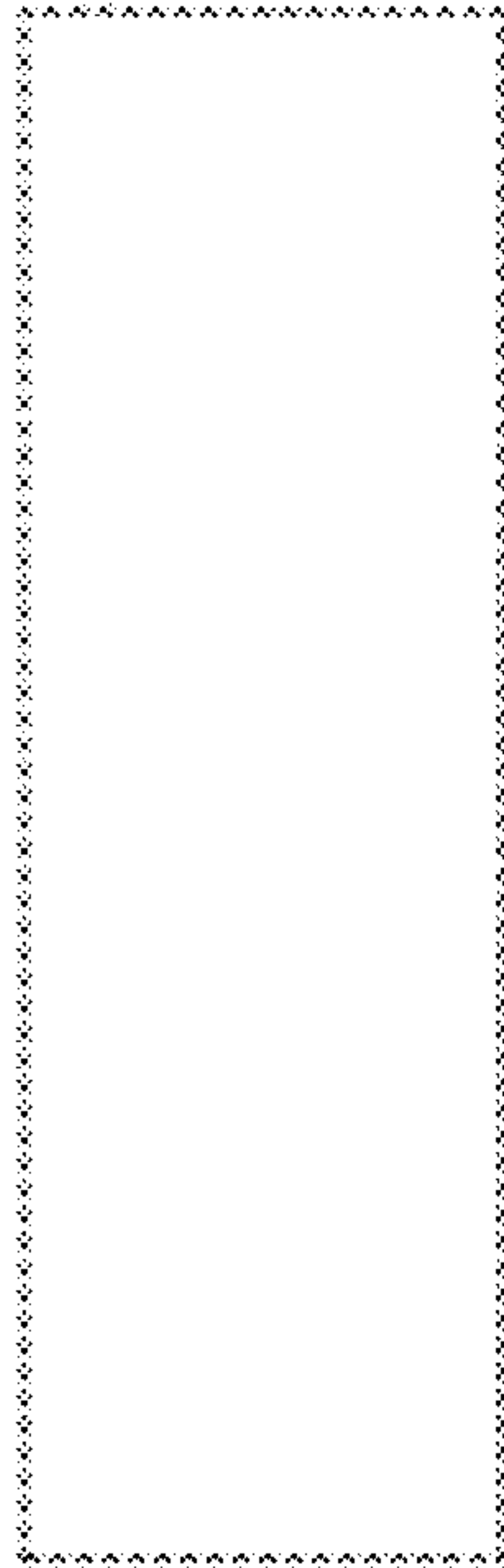


Fig. 46

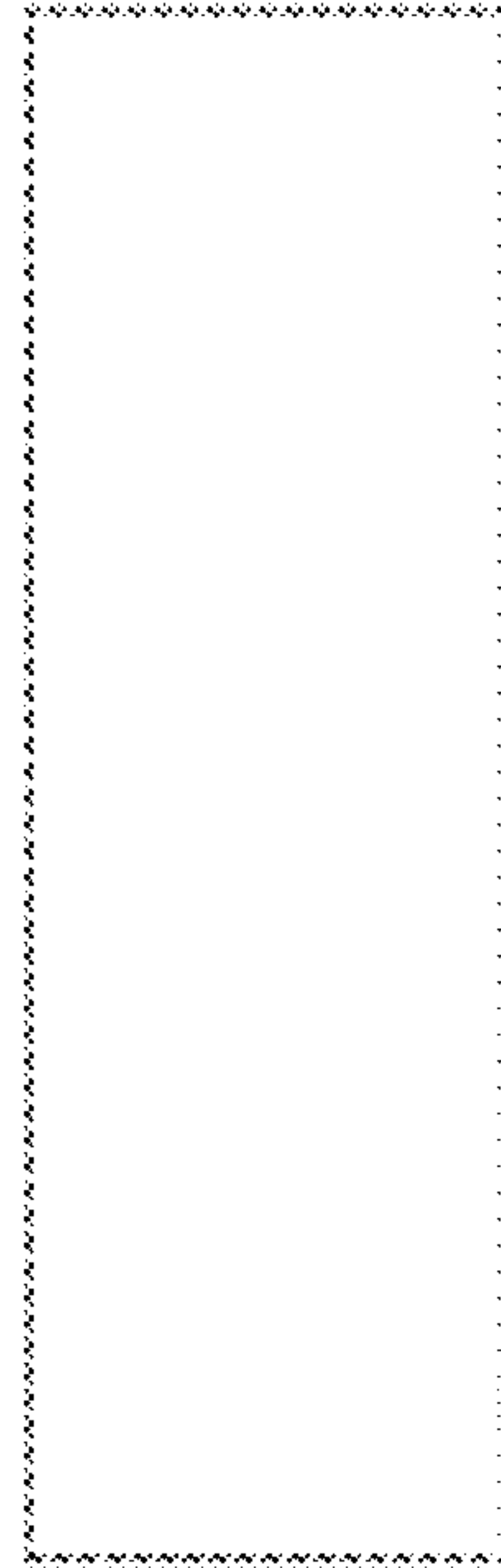


Fig. 47



Fig. 48



Fig. 49

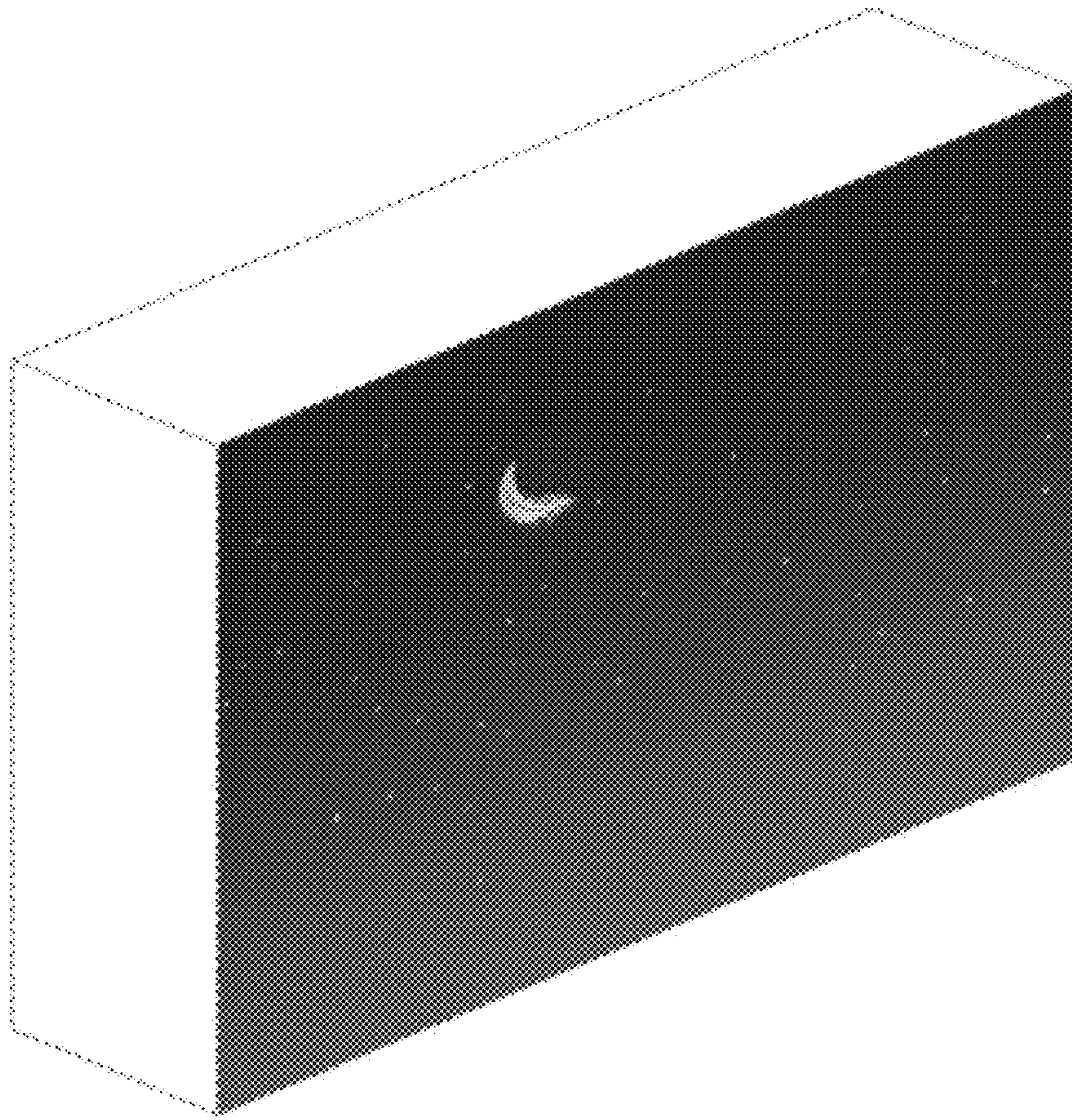


Fig. 50





Fig. 51

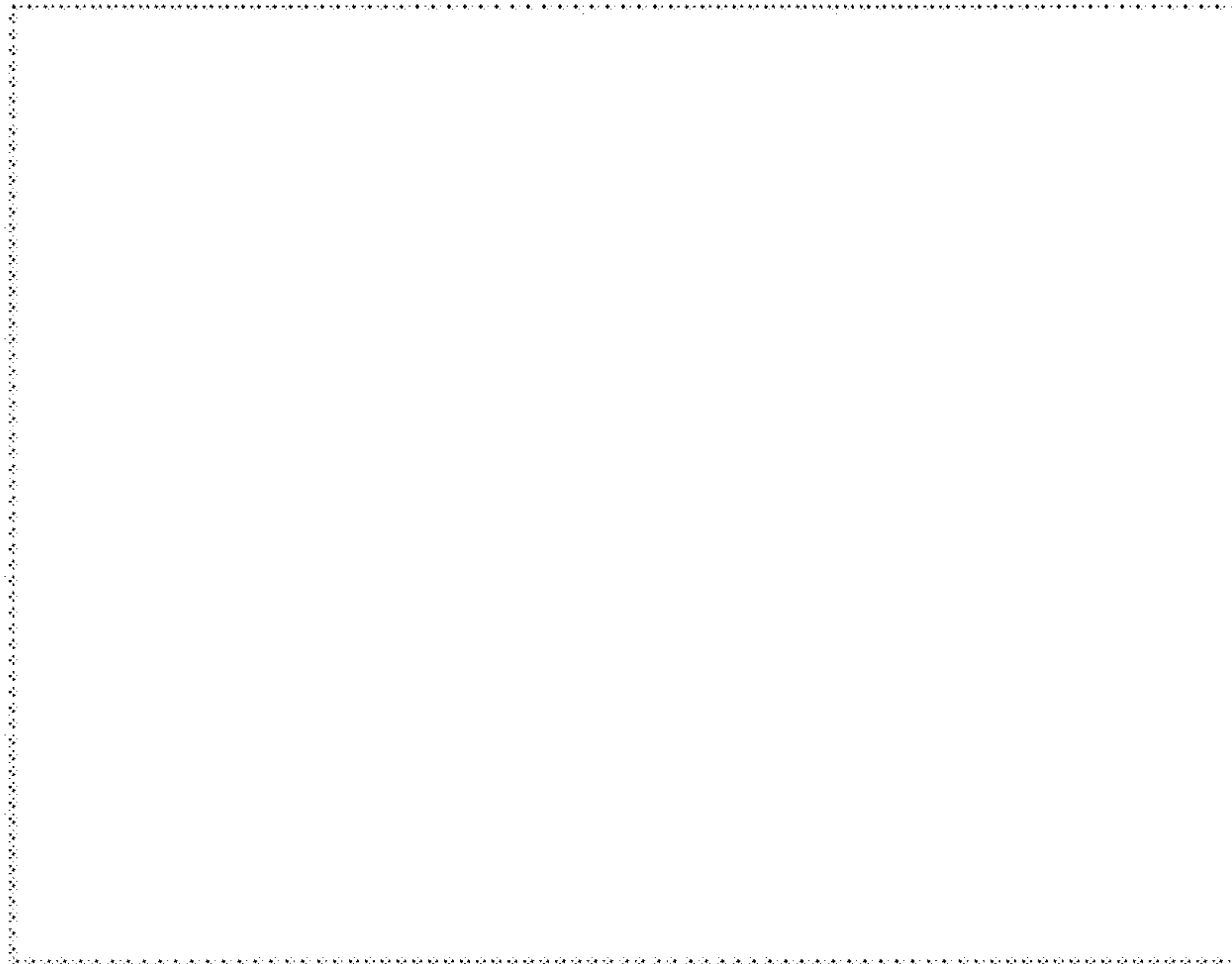


Fig. 52

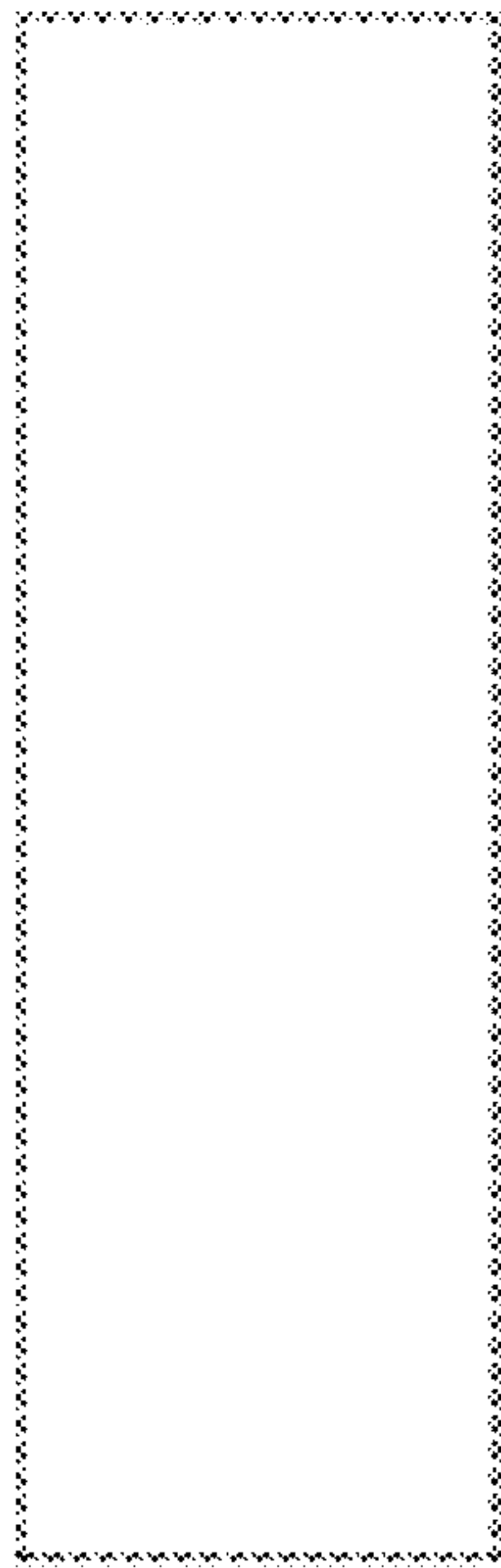


Fig. 53

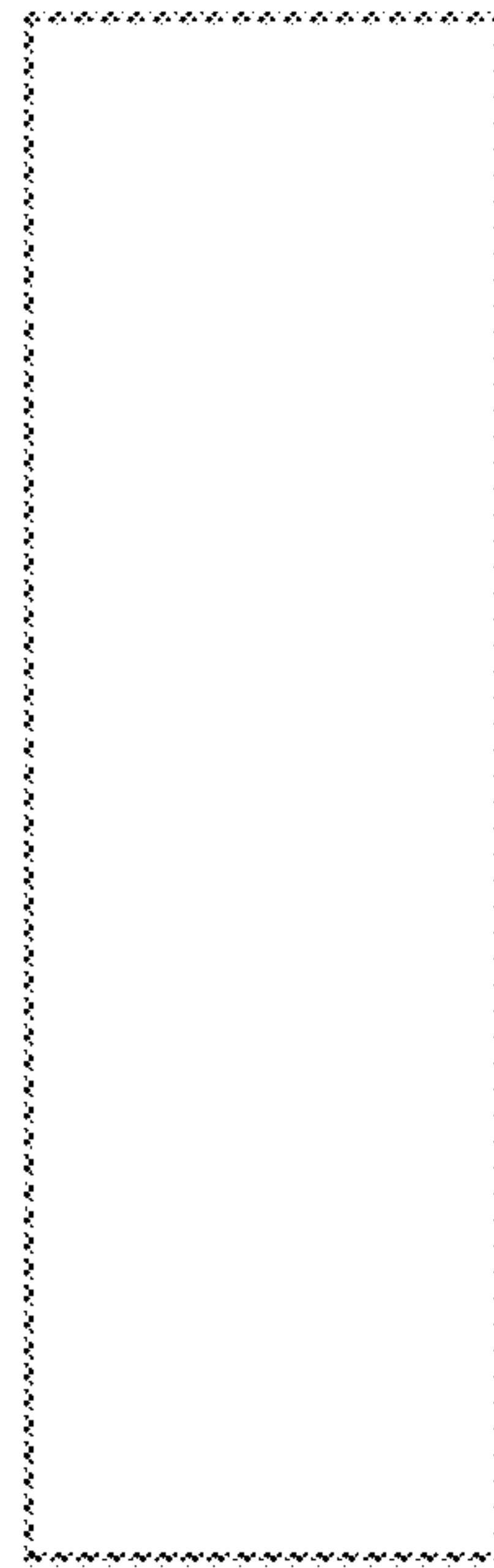


Fig. 54



Fig. 55



Fig. 56



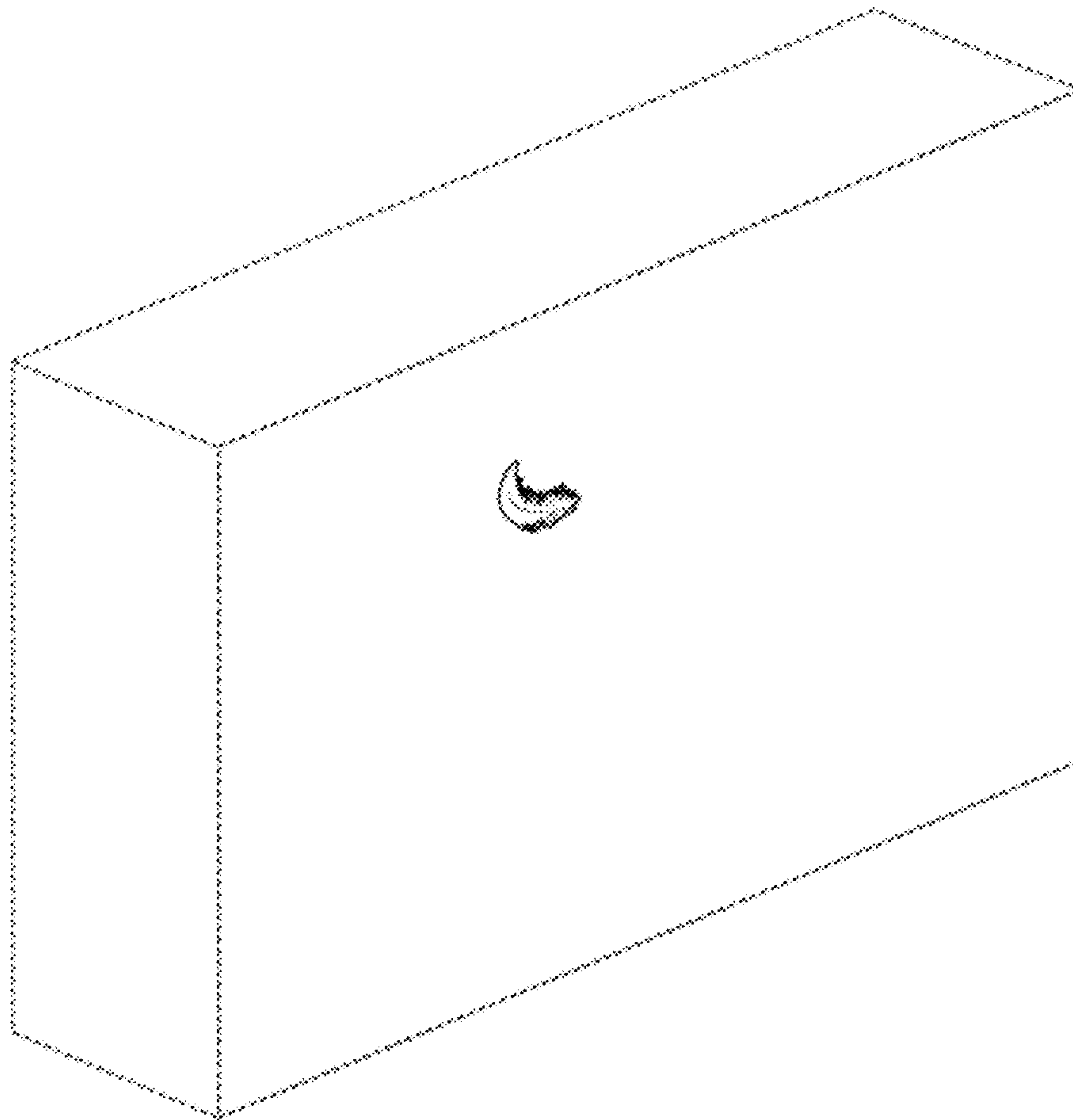


Fig. 57

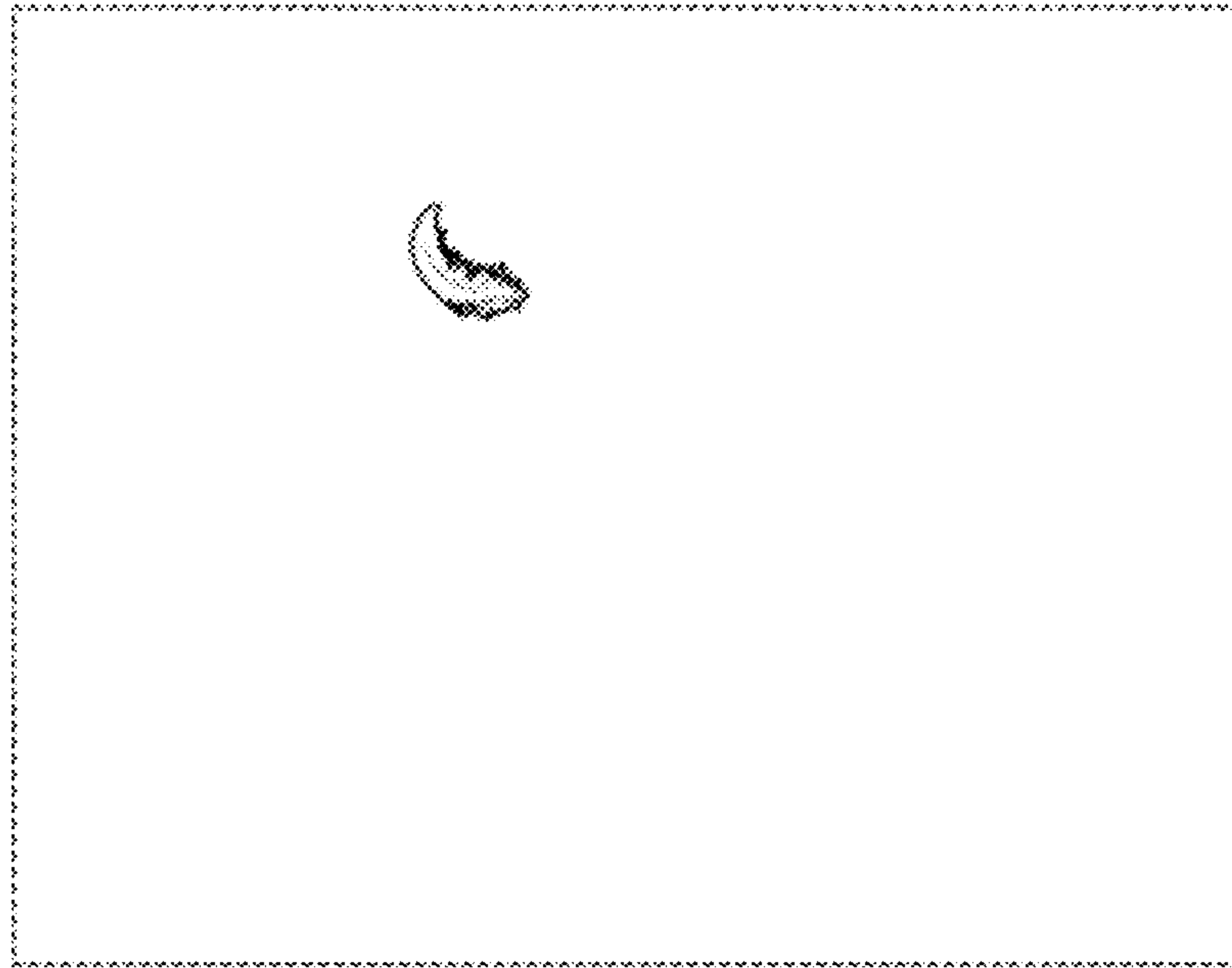


Fig. 58



Fig. 59



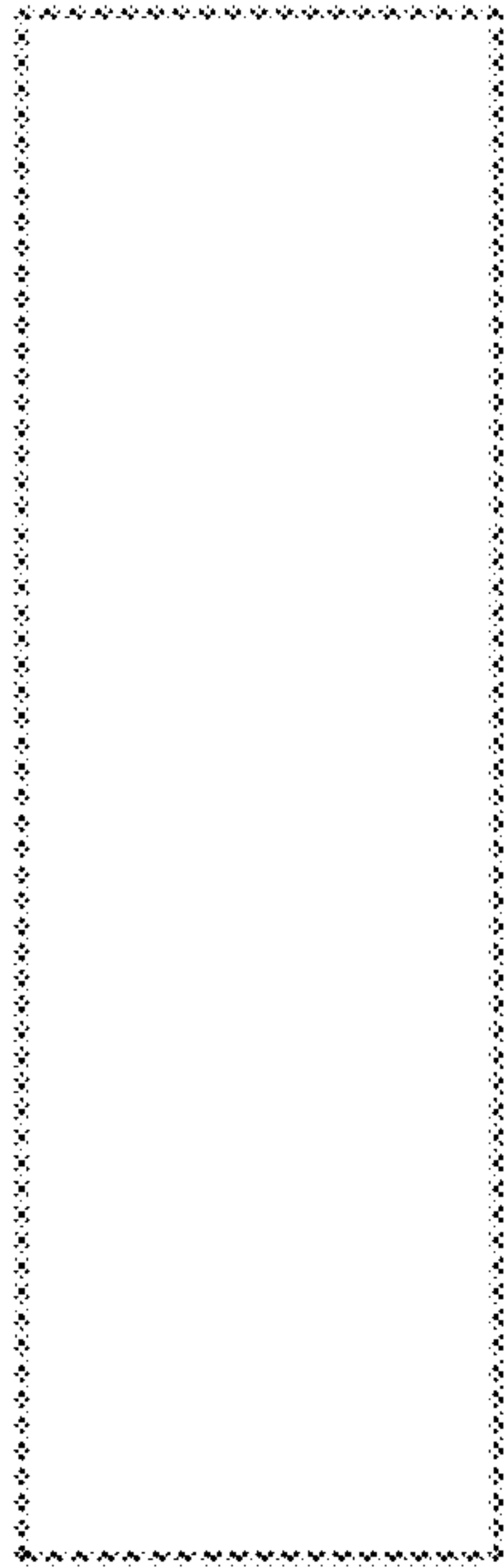


Fig. 60

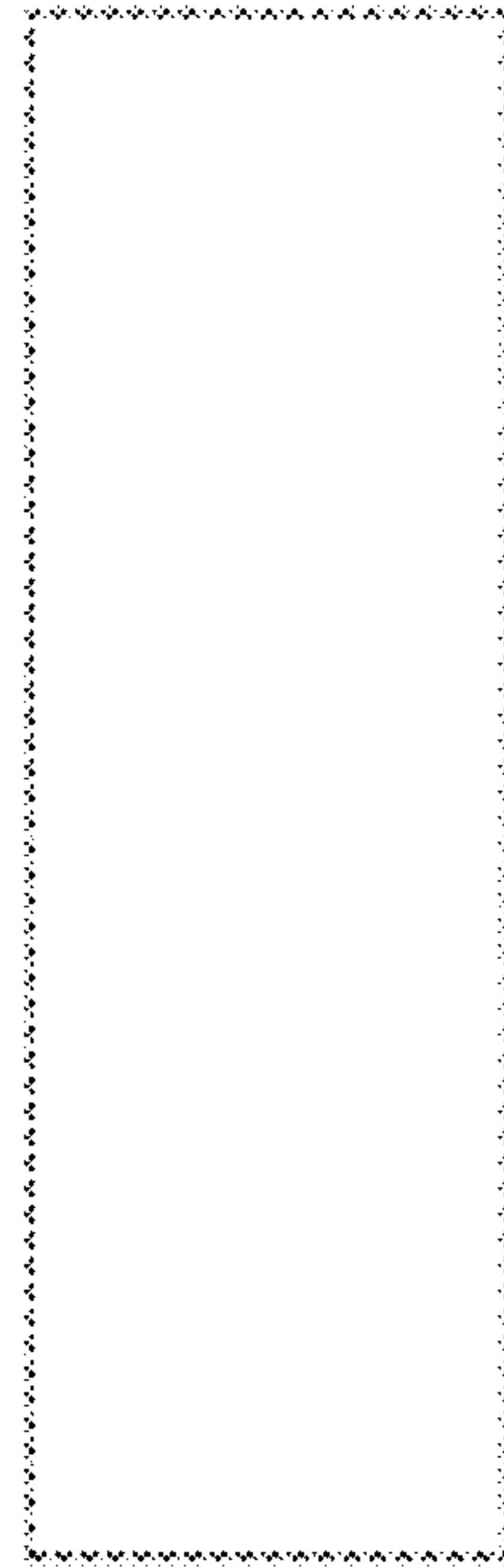


Fig. 61

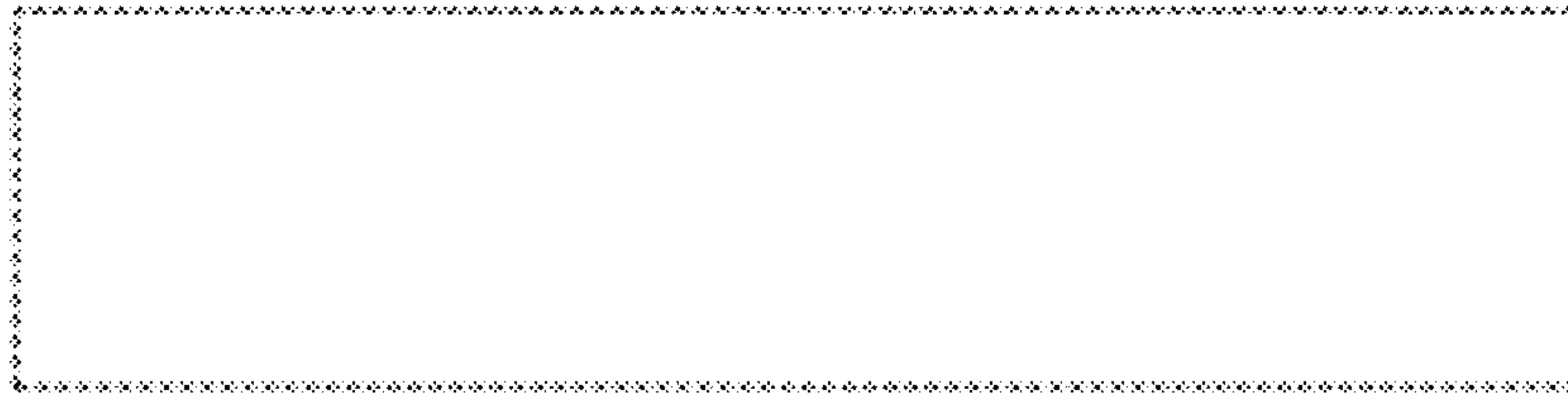


Fig. 62



Fig. 63

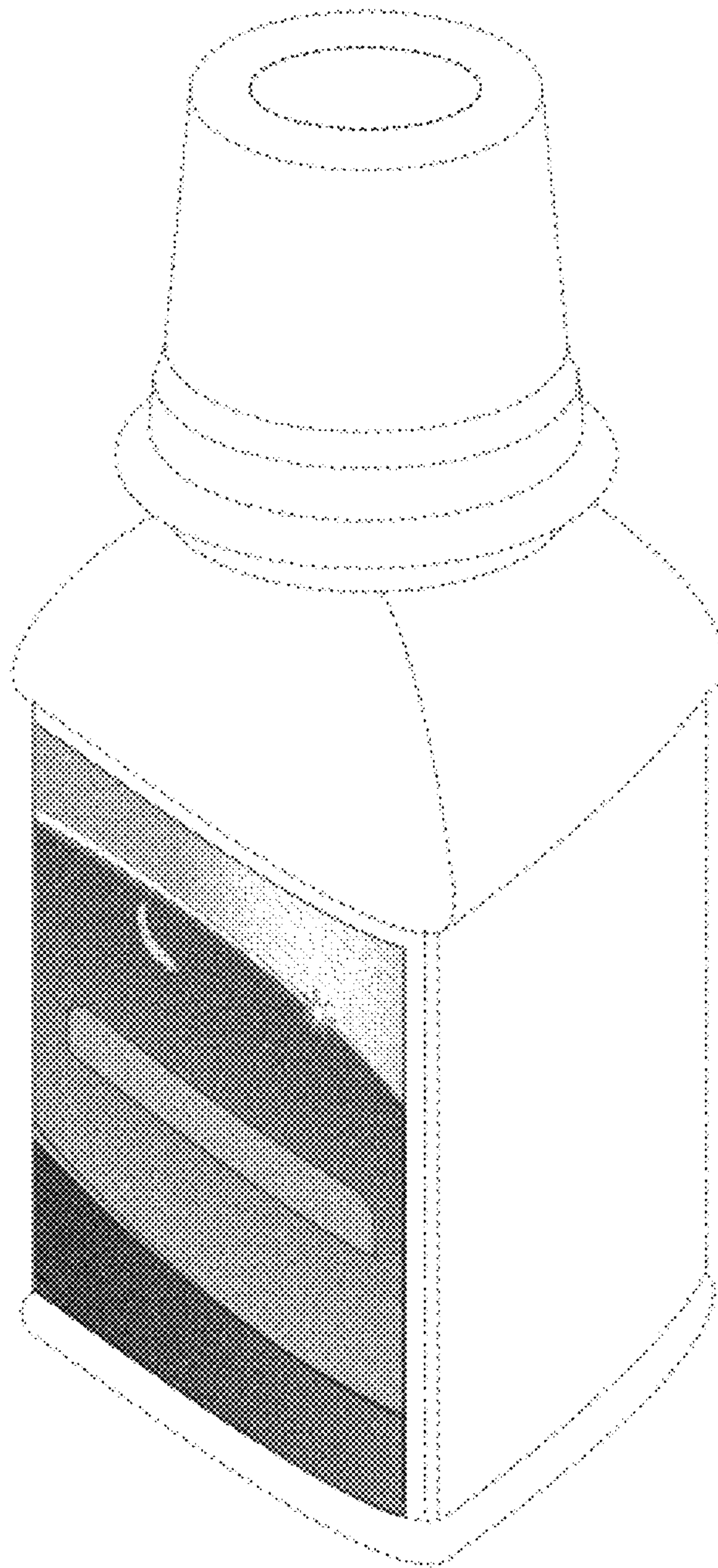


Fig. 64



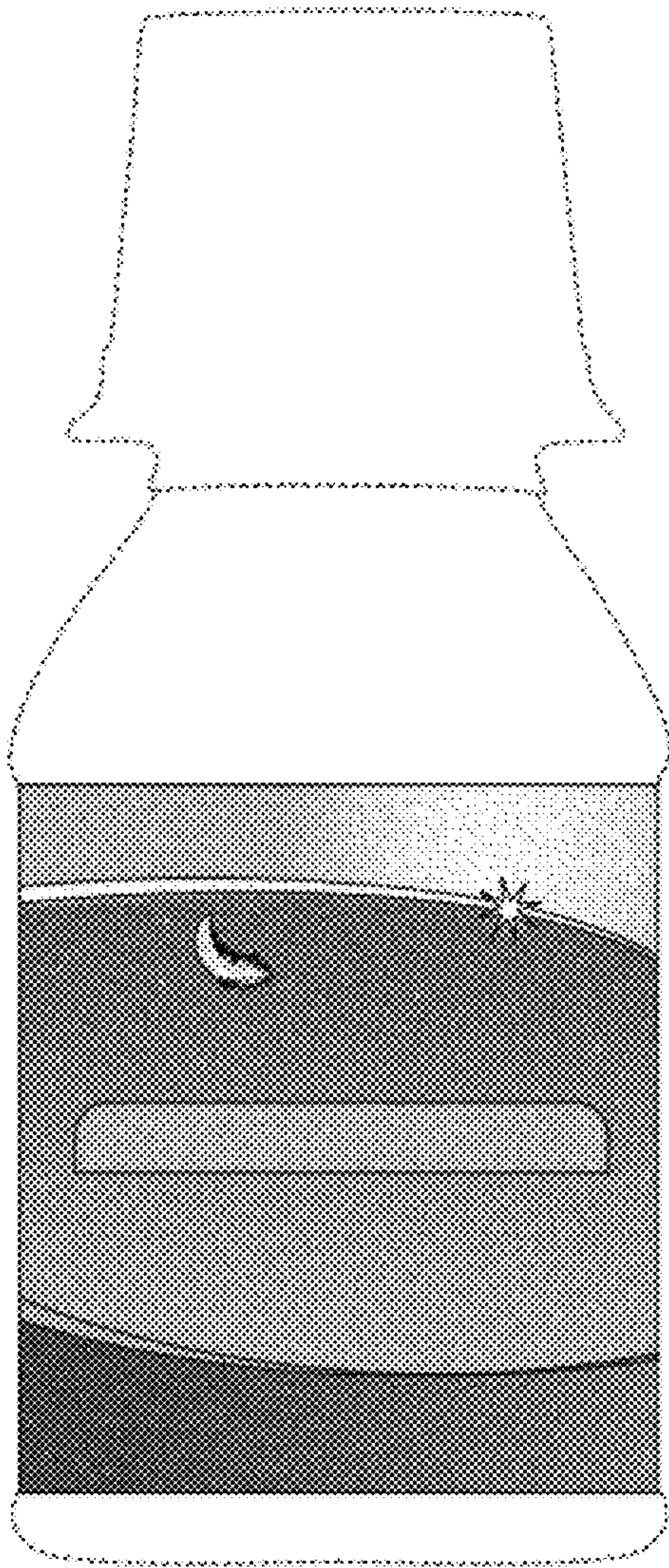


Fig. 65

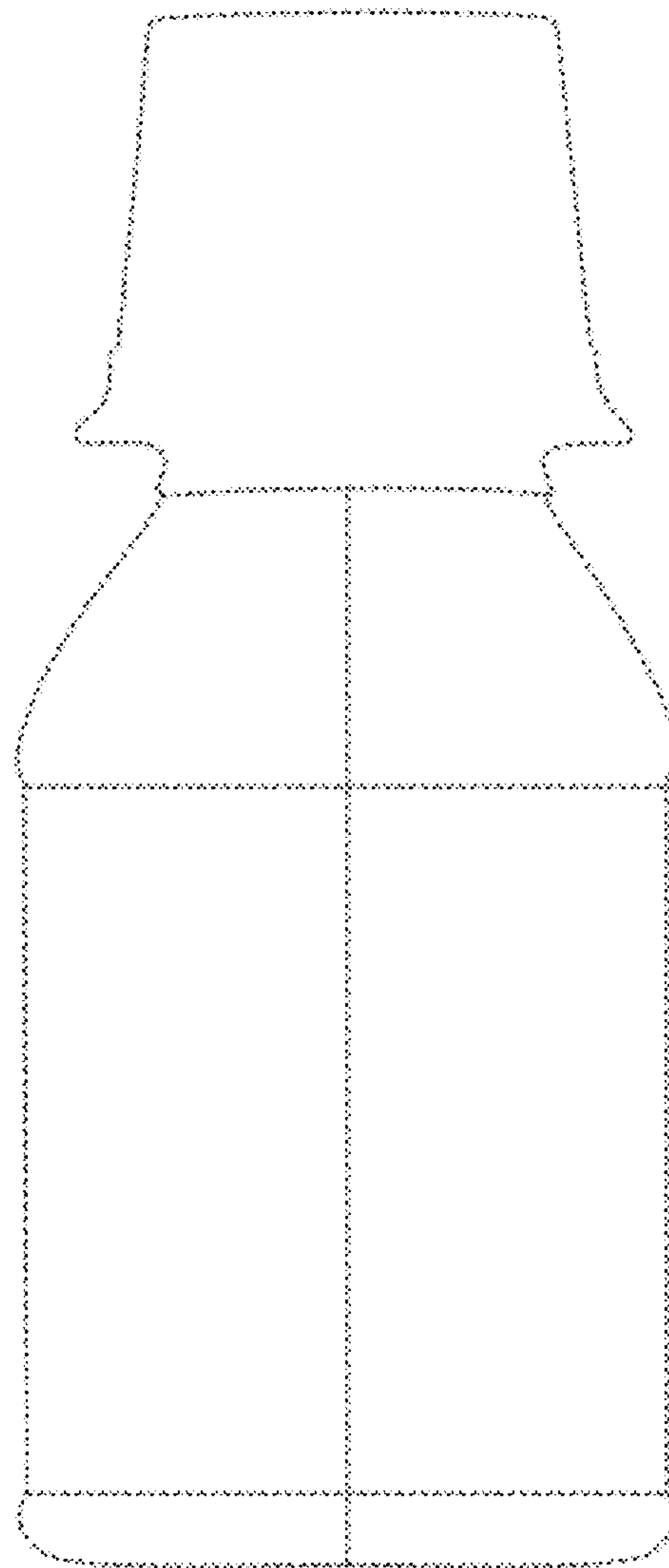


Fig. 66

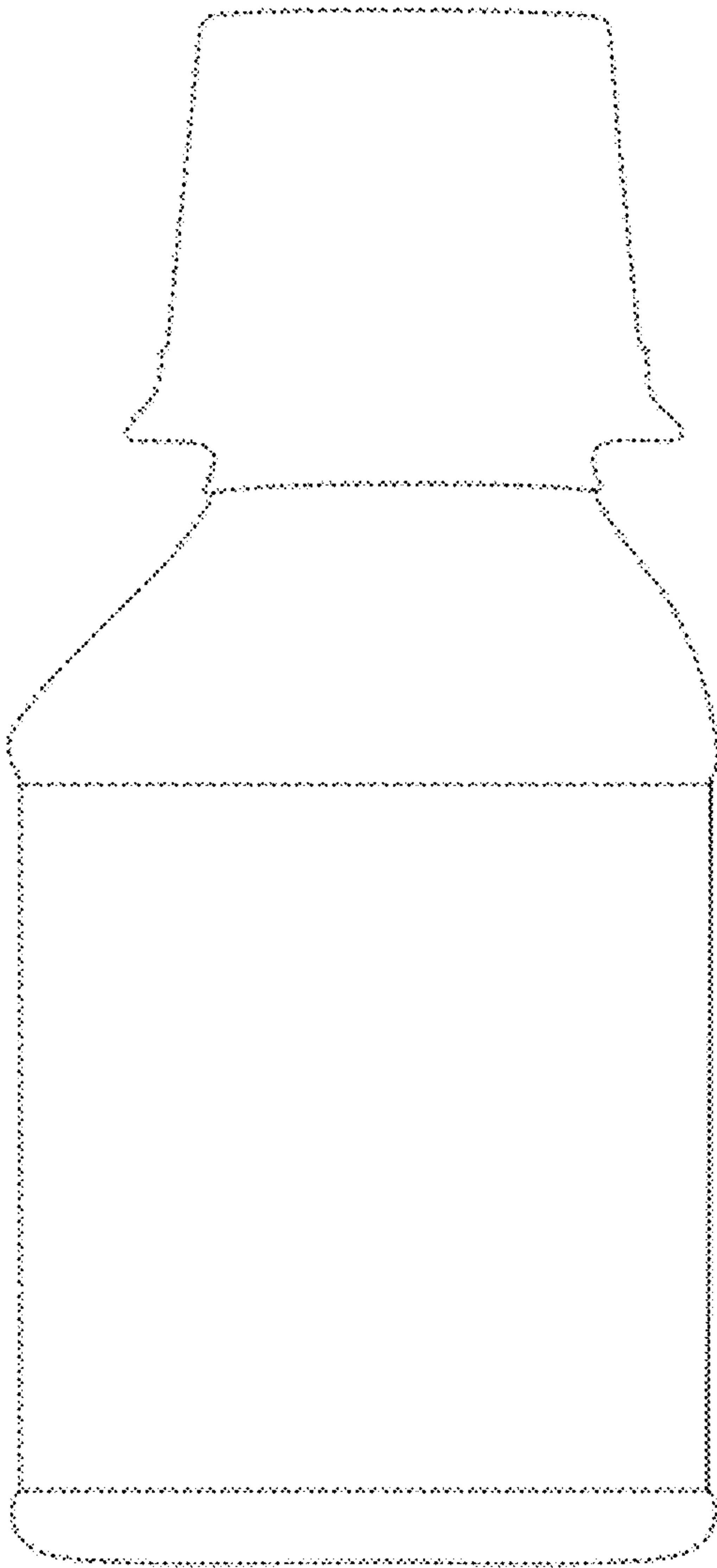


Fig. 67

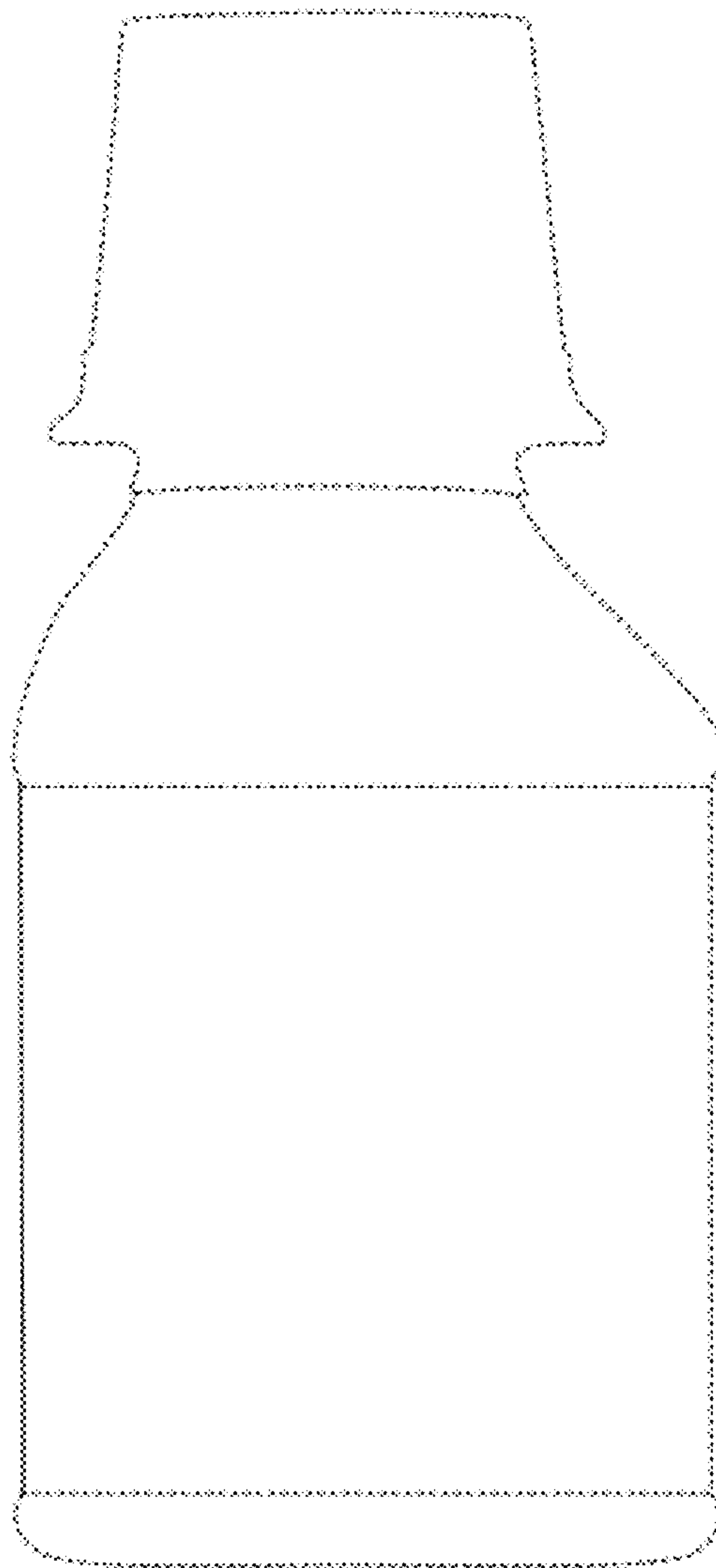


Fig. 68



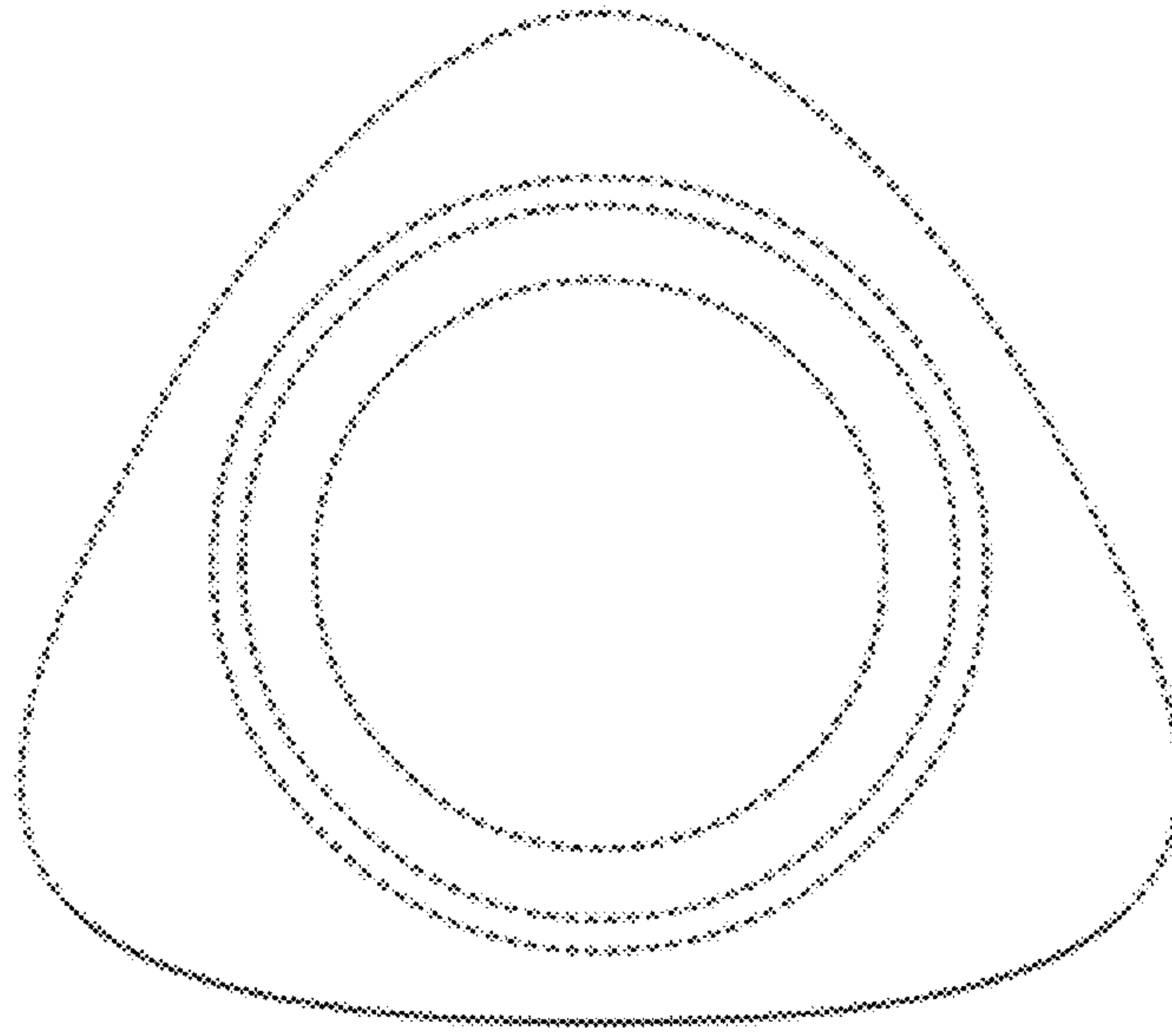


Fig. 69

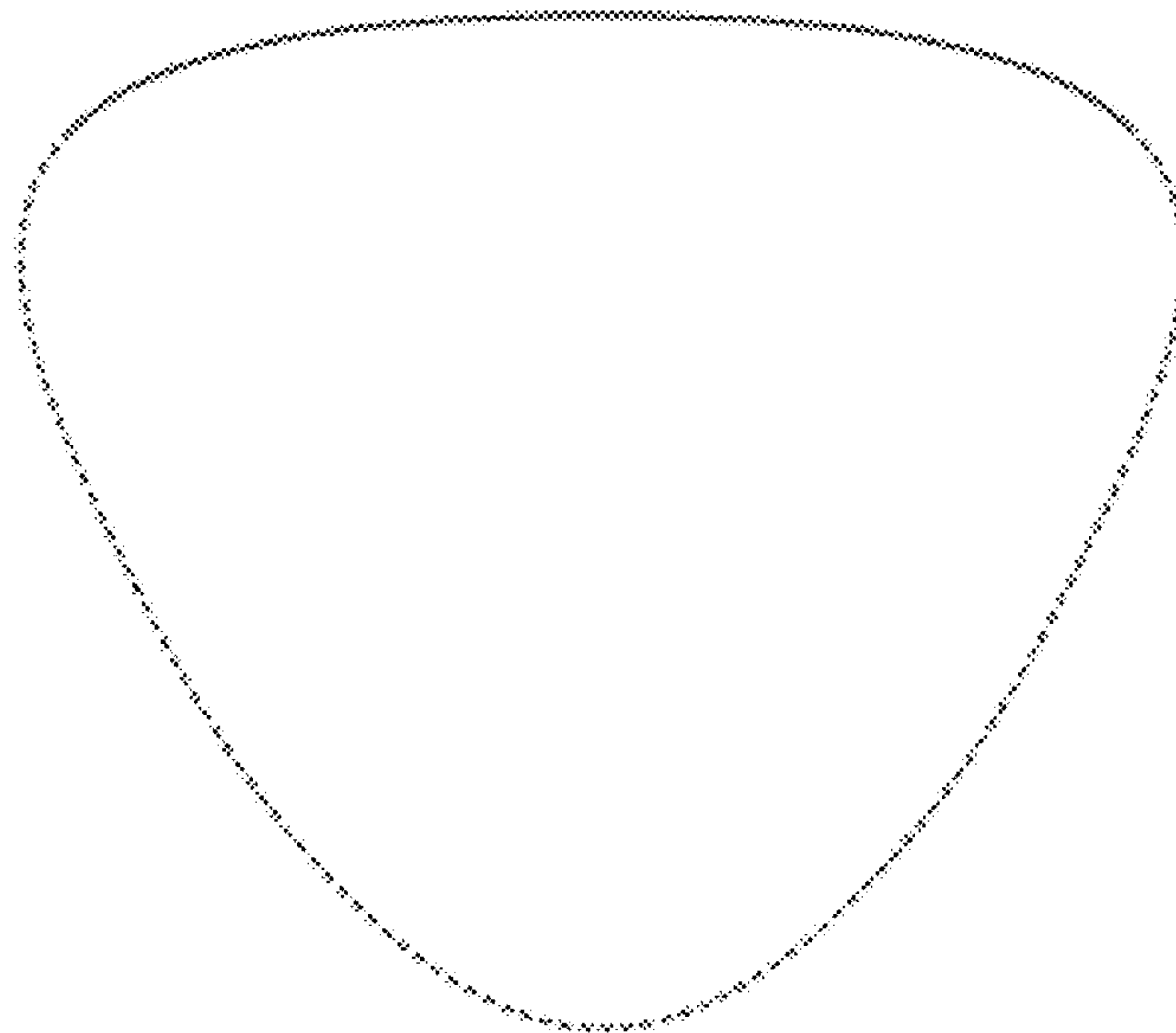


Fig. 70

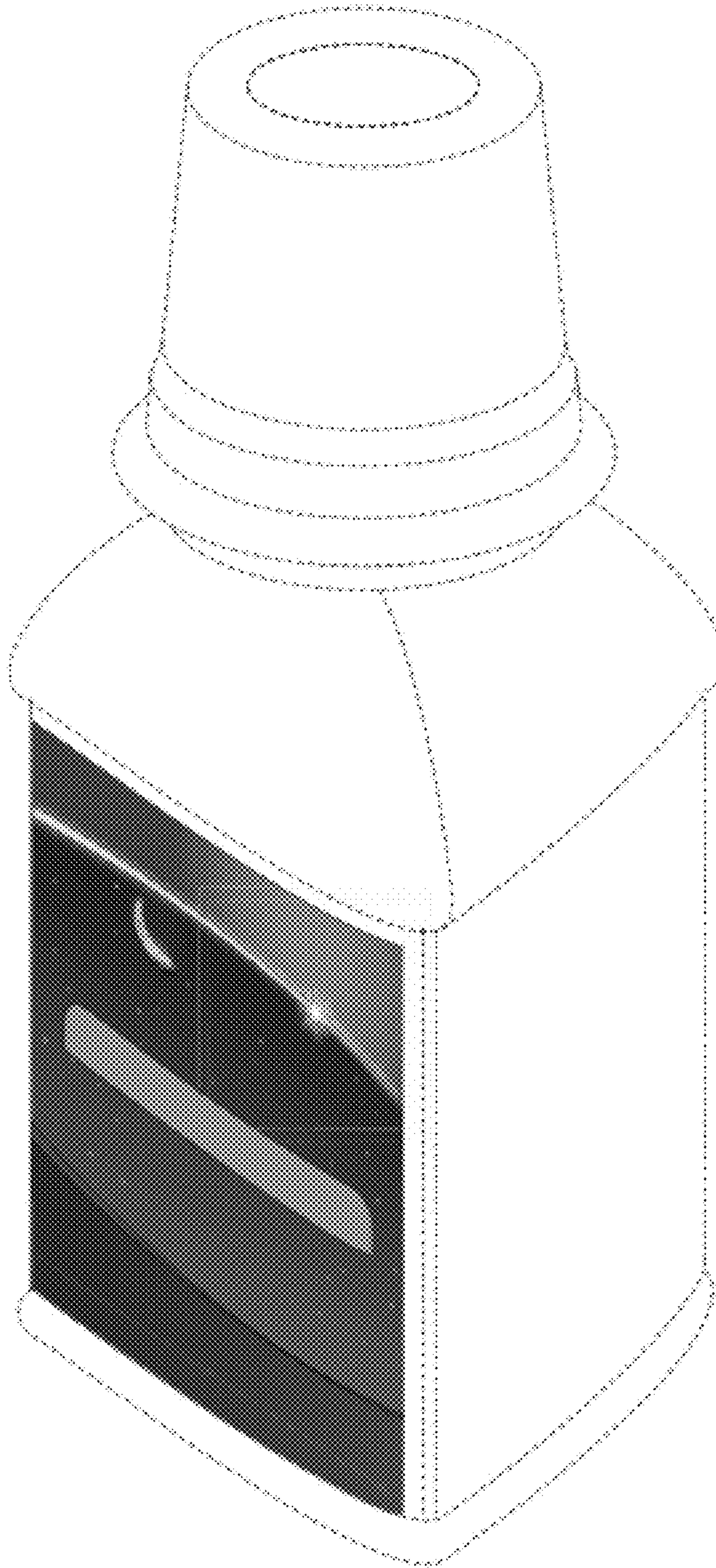


Fig. 71



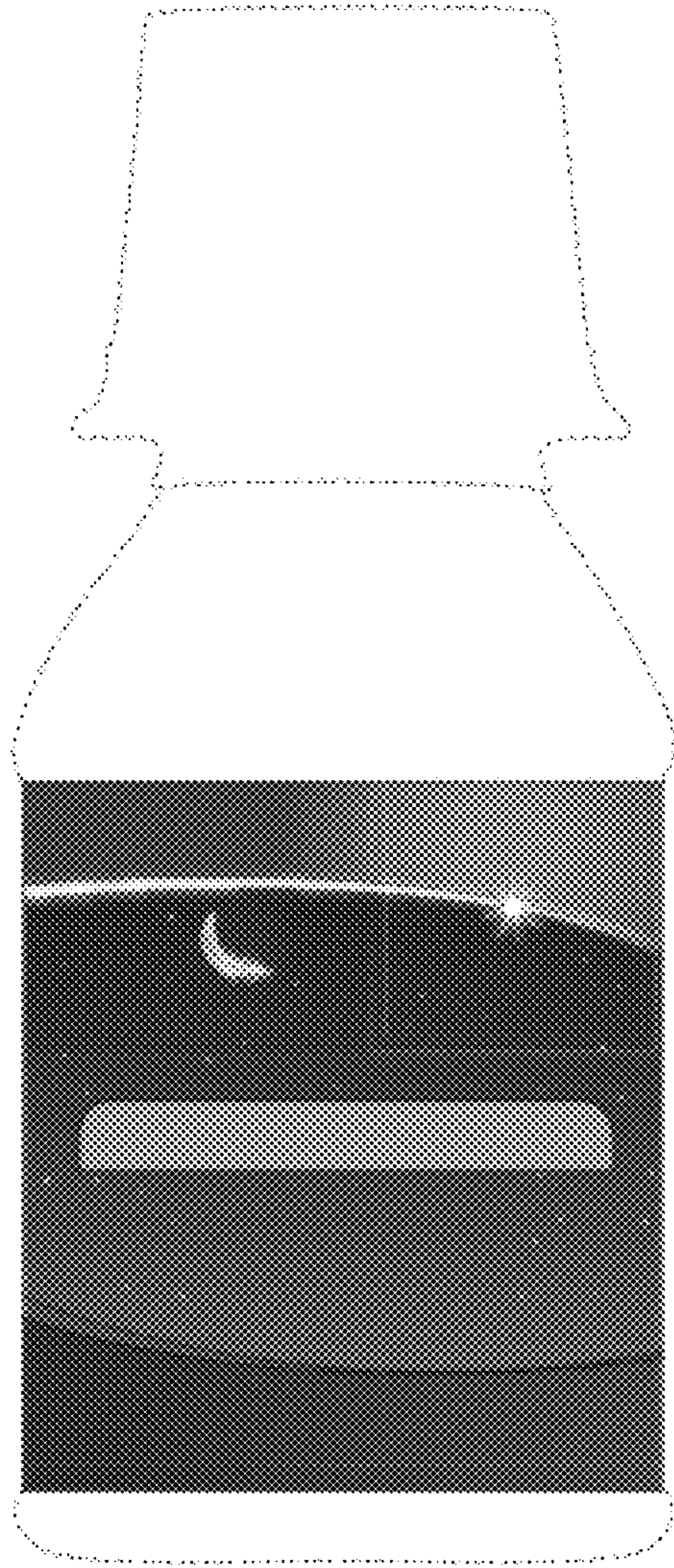


Fig. 72

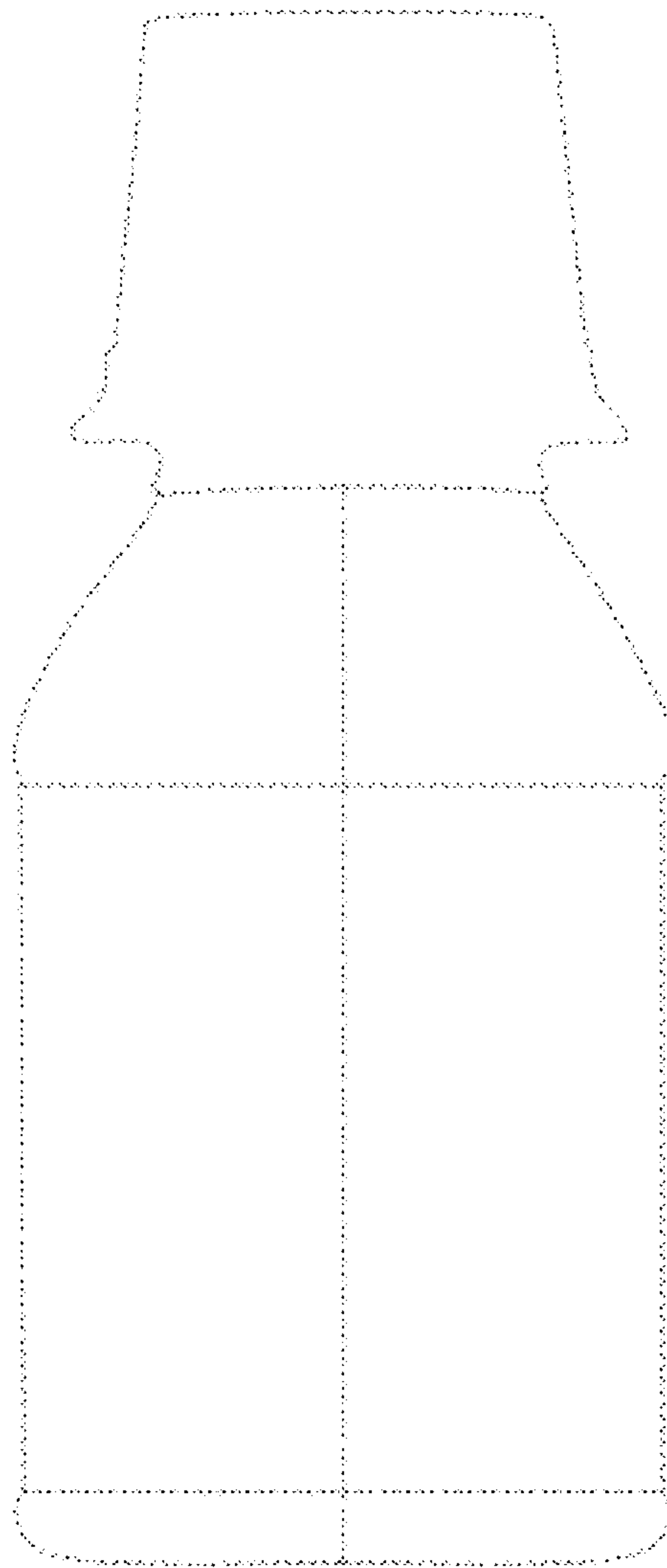


Fig. 73

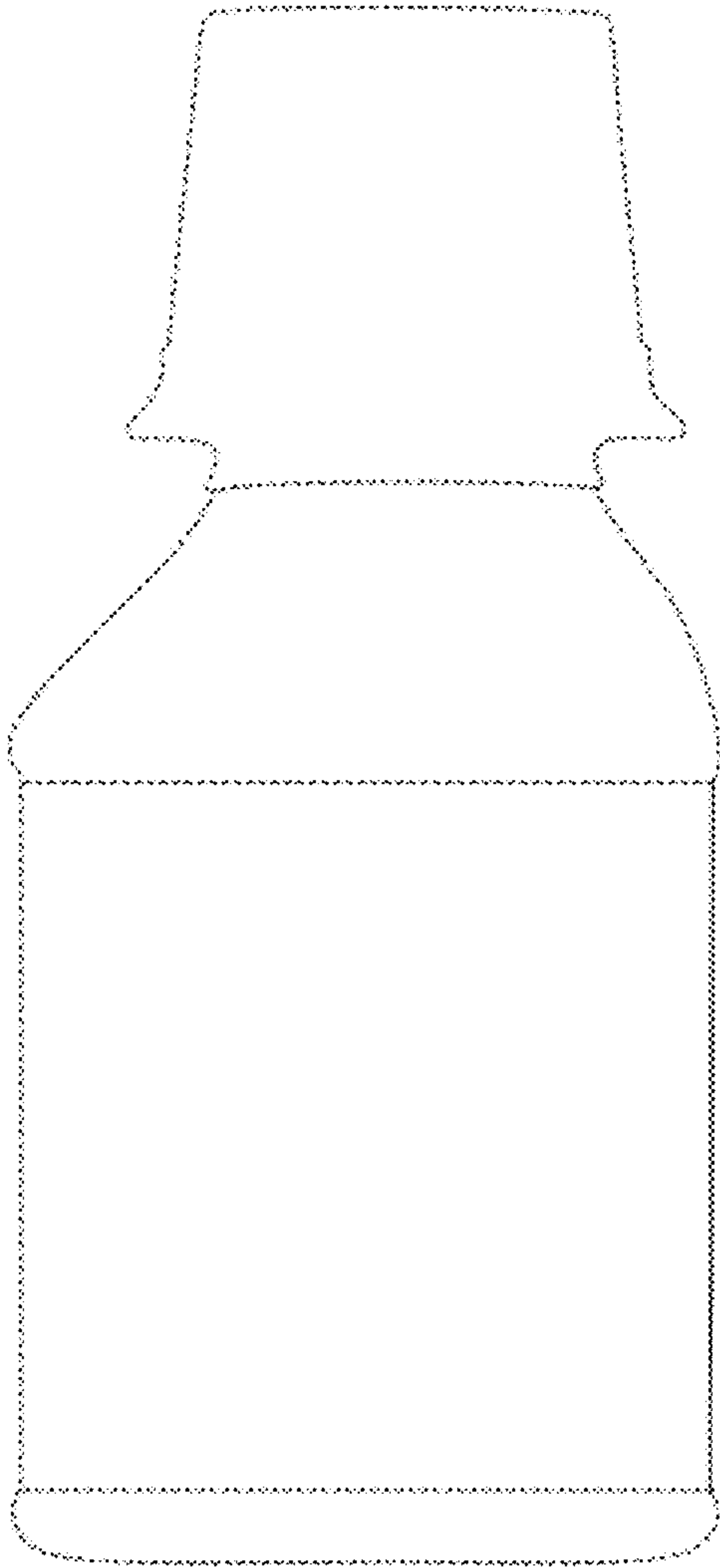


Fig. 74

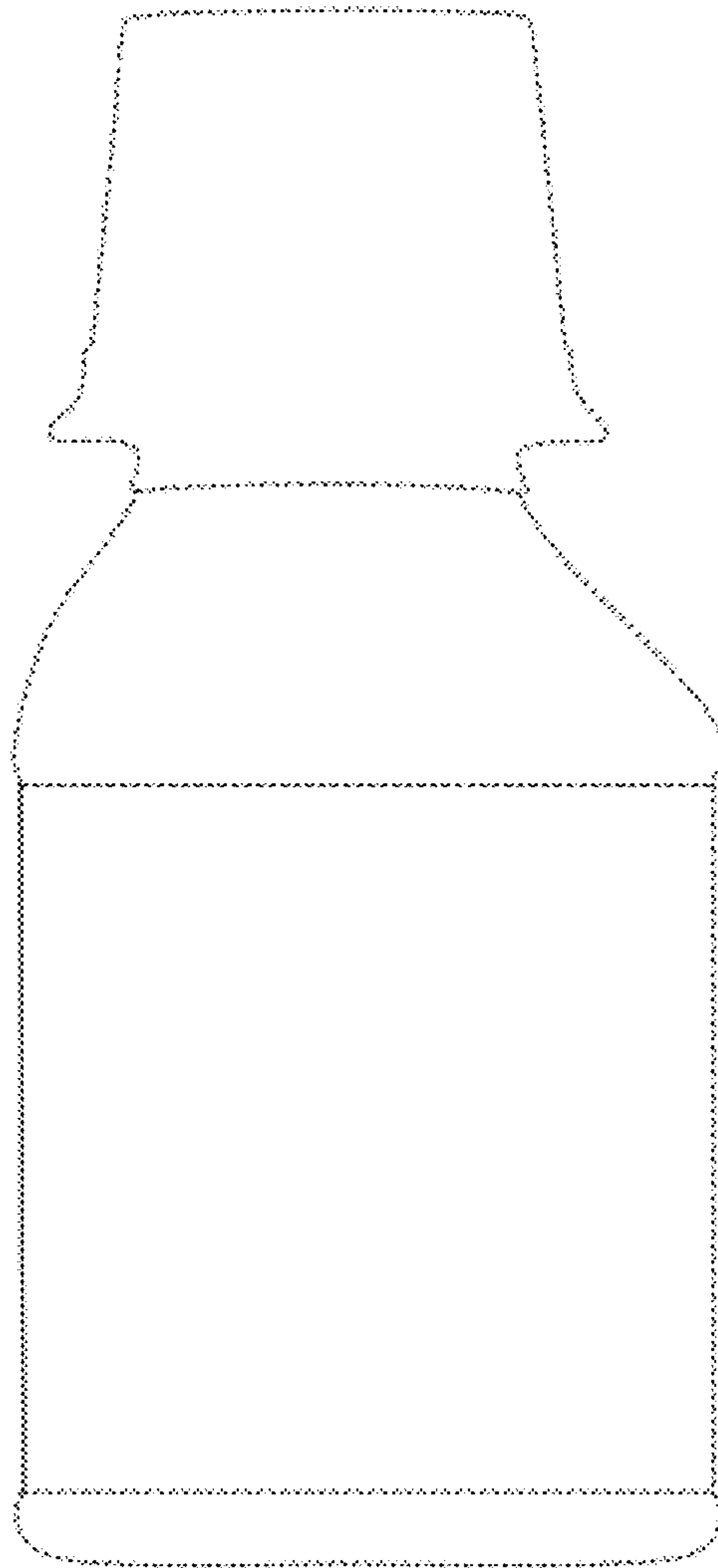


Fig. 75



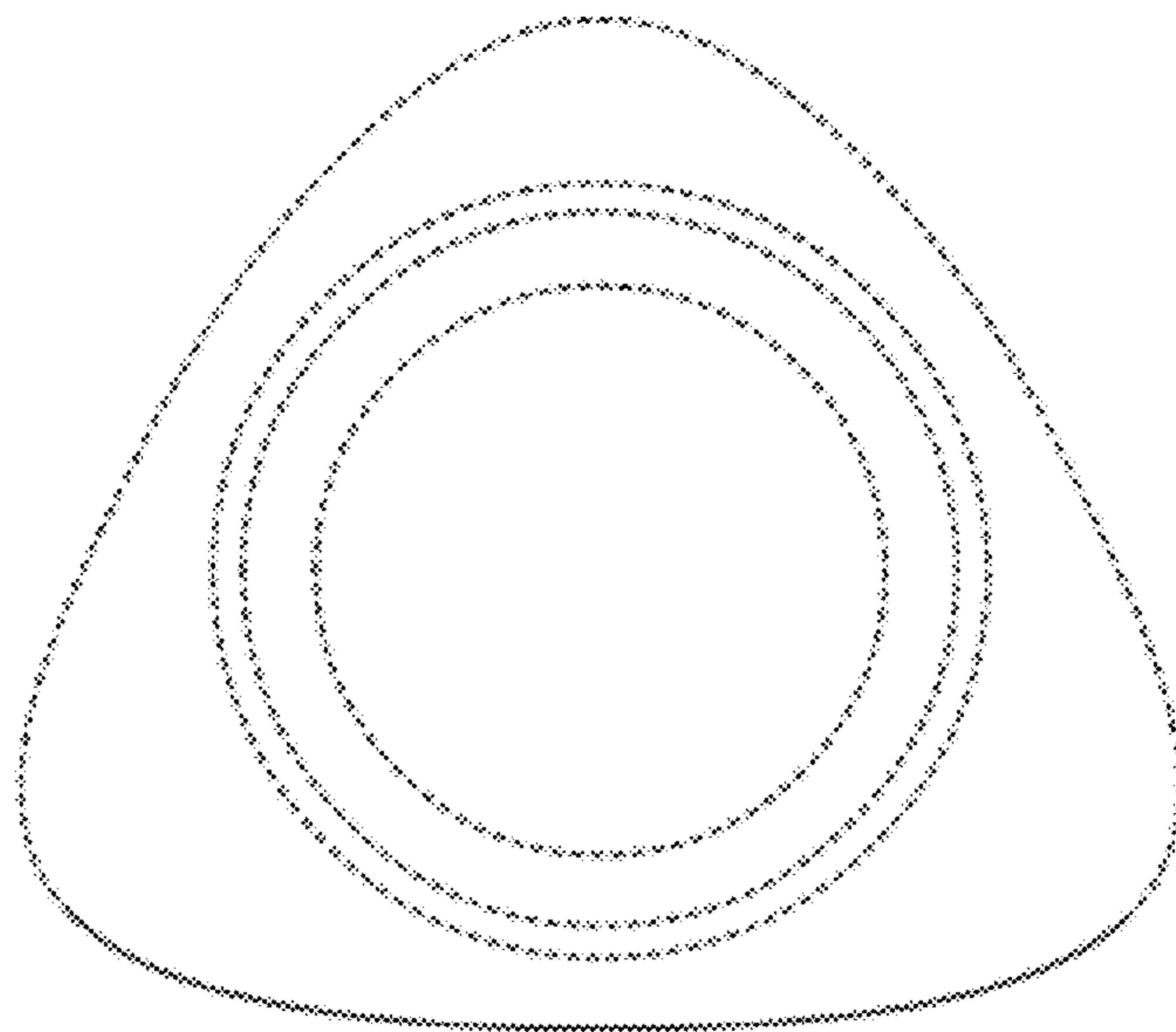


Fig. 76

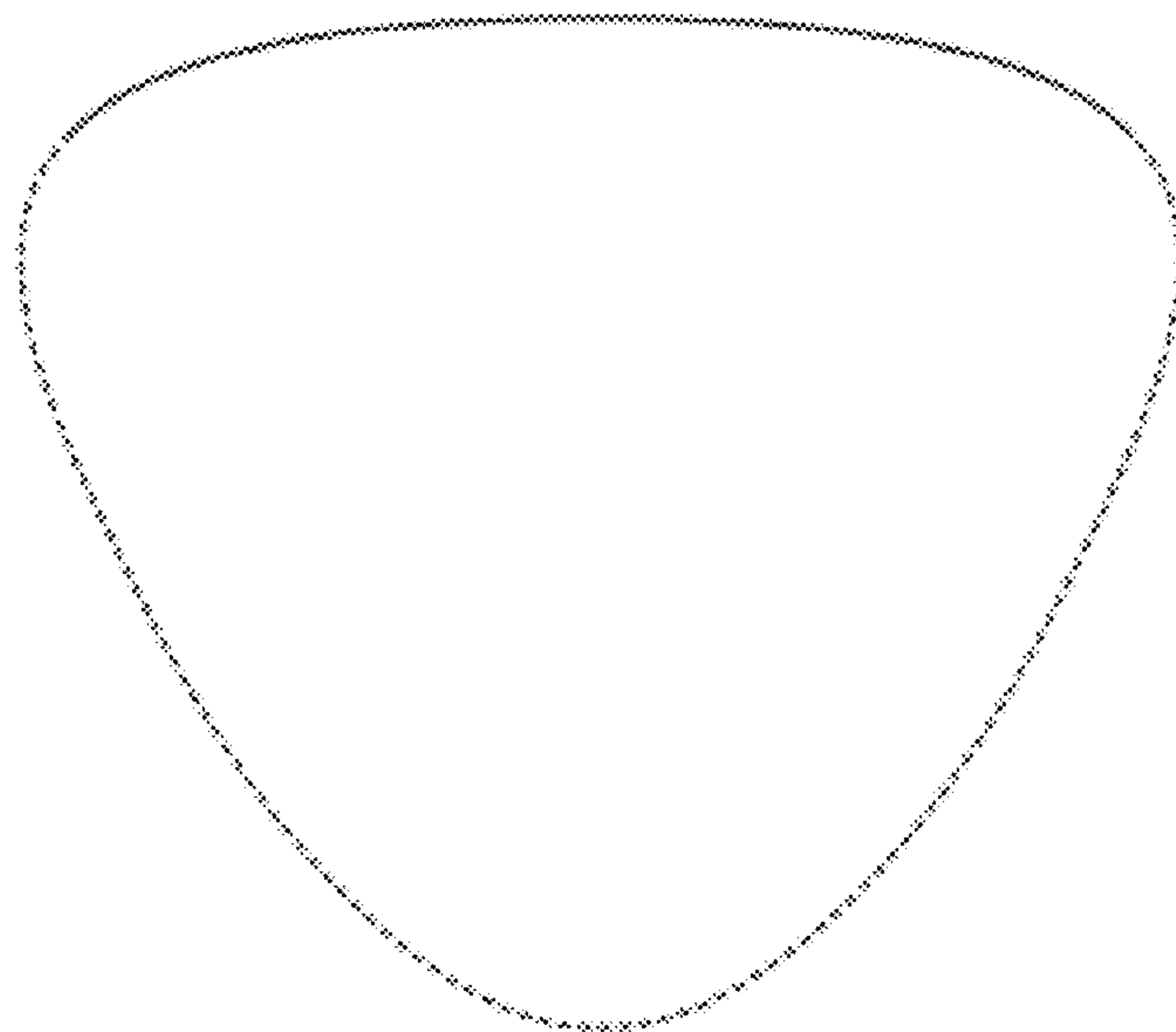


Fig. 77

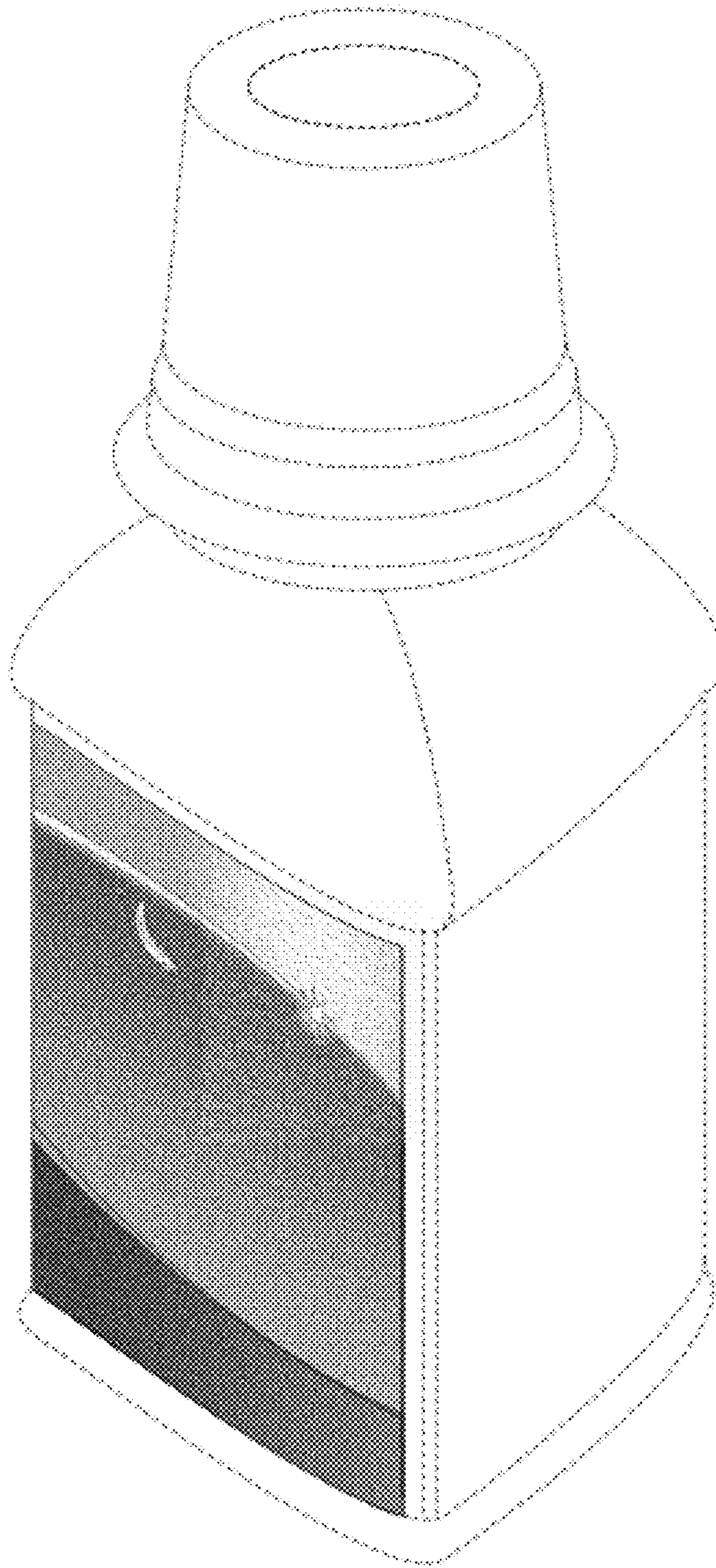


Fig. 78



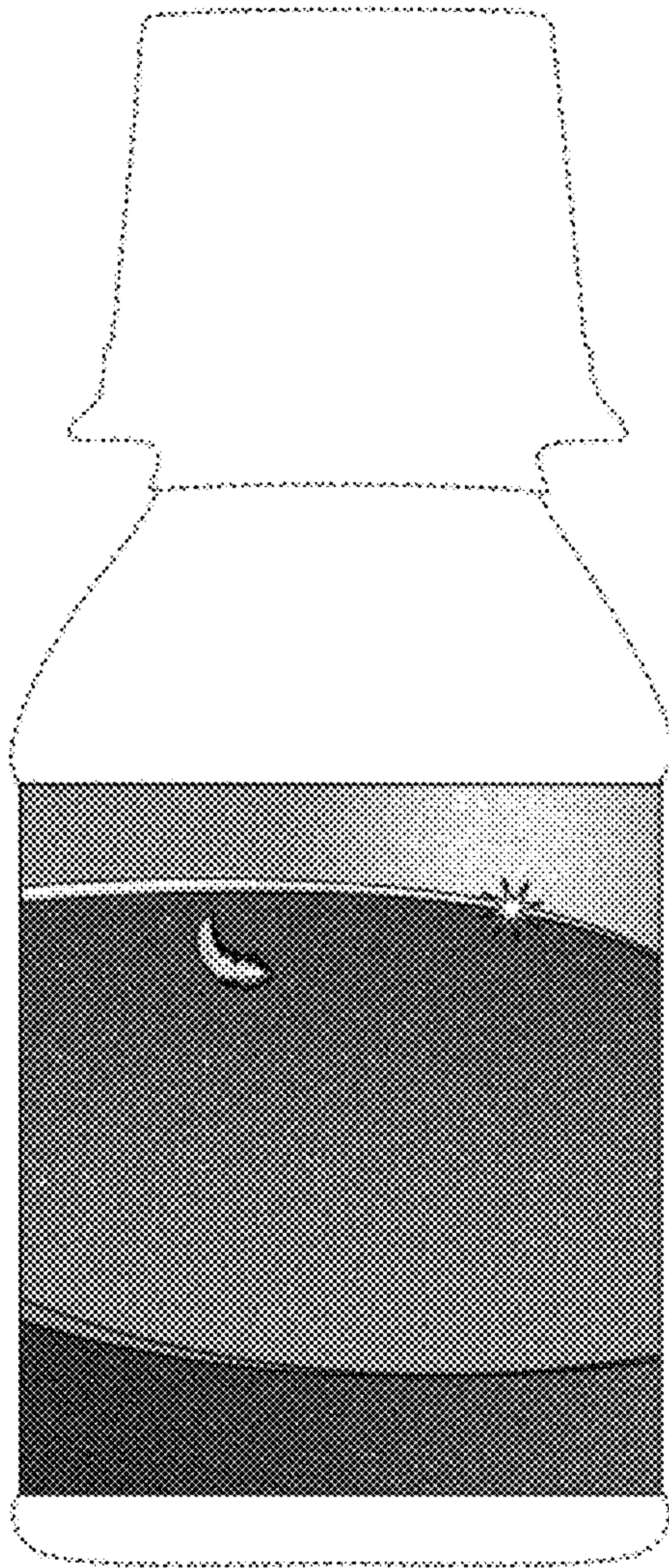


Fig. 79

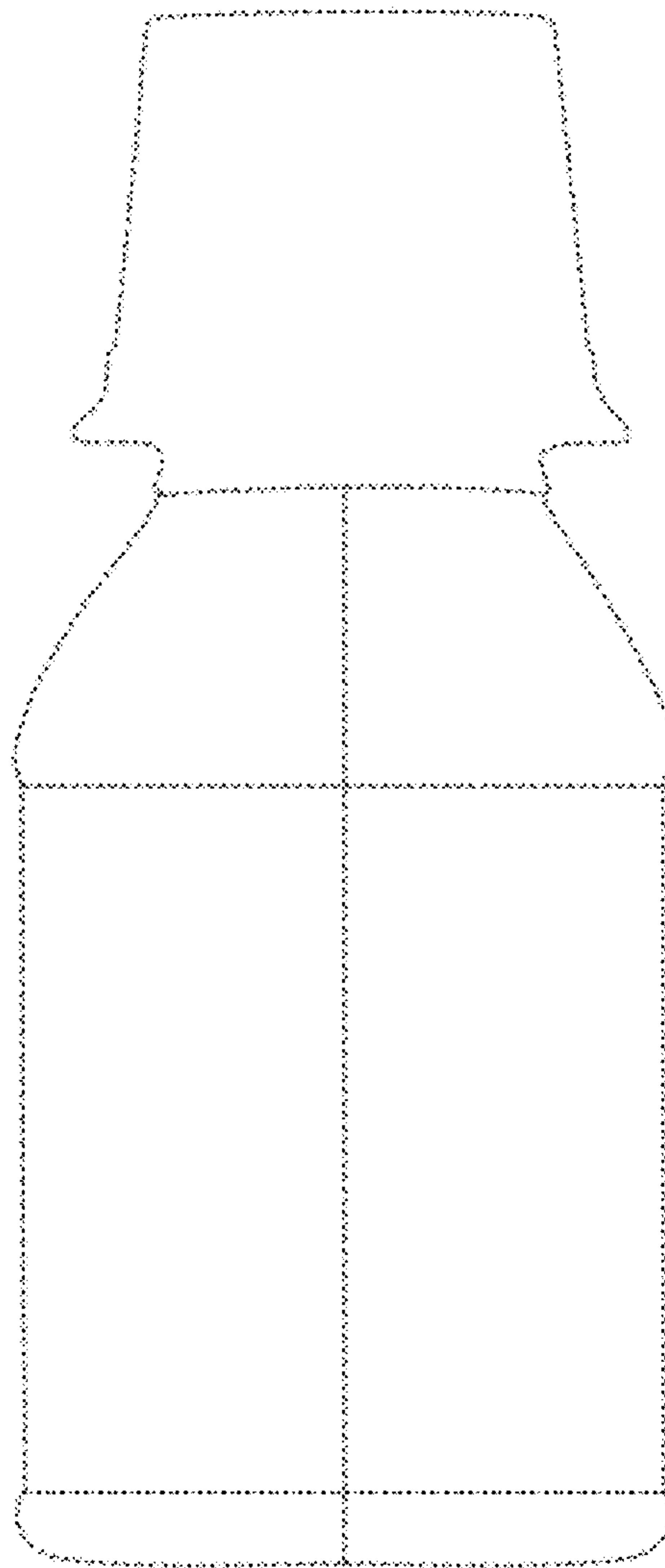


Fig. 80

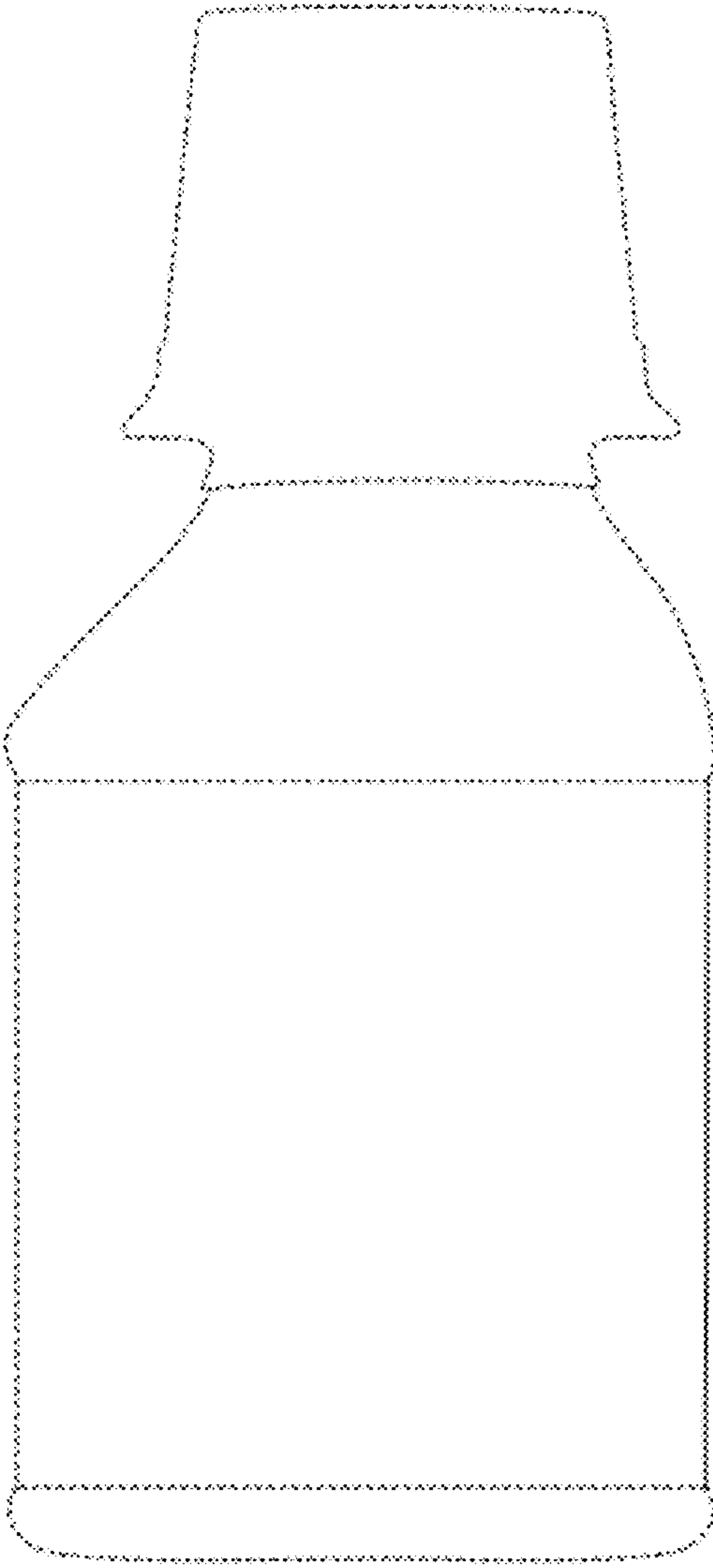


Fig 81

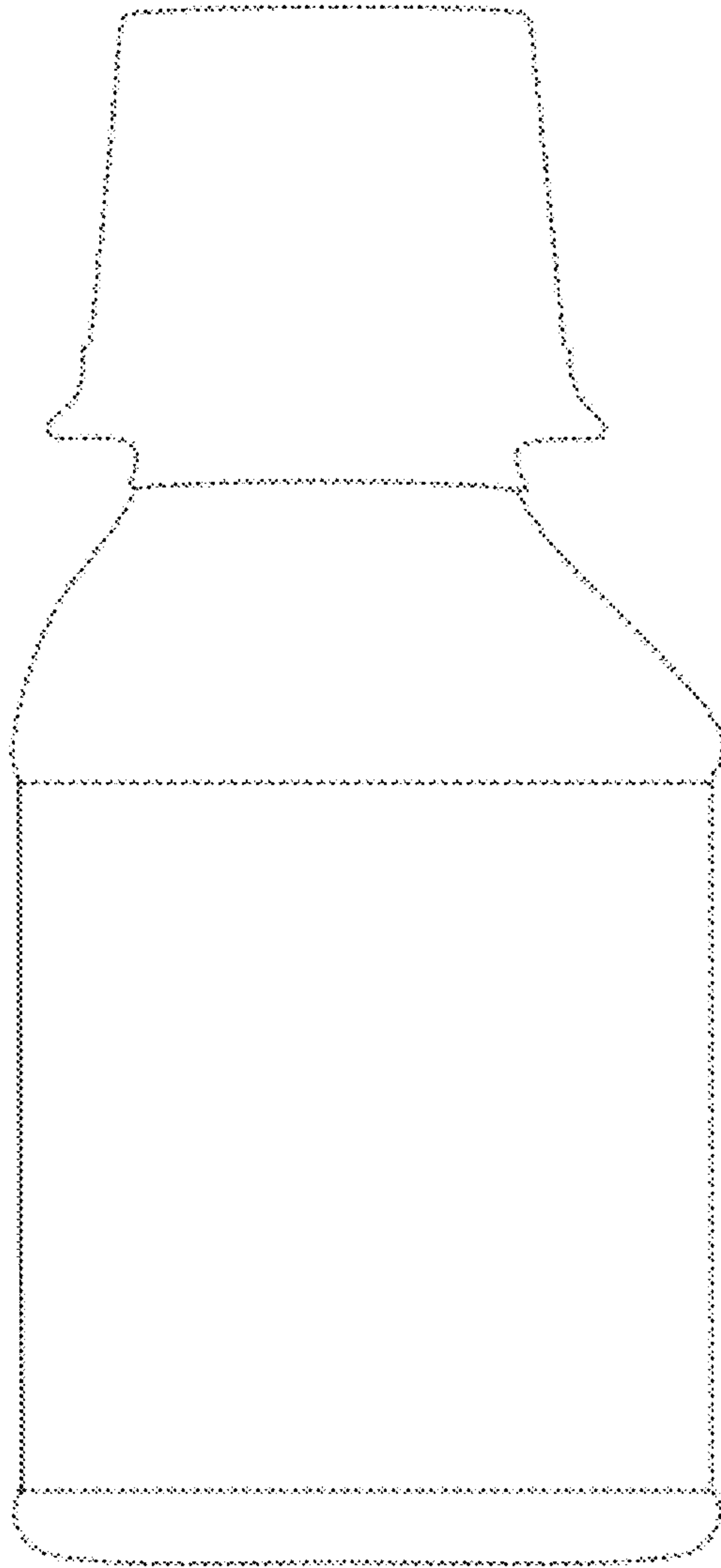


Fig 82



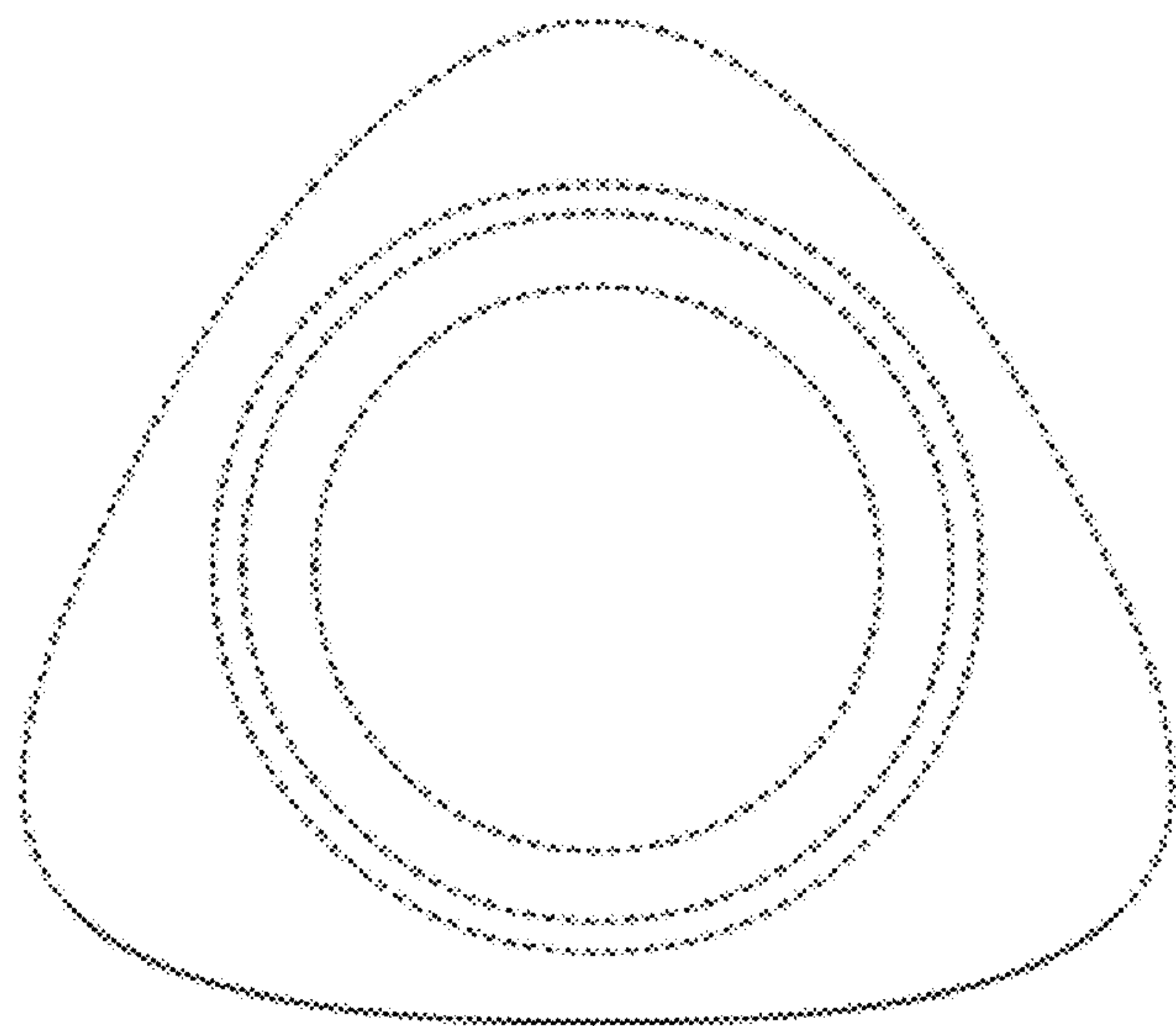


Fig. 83

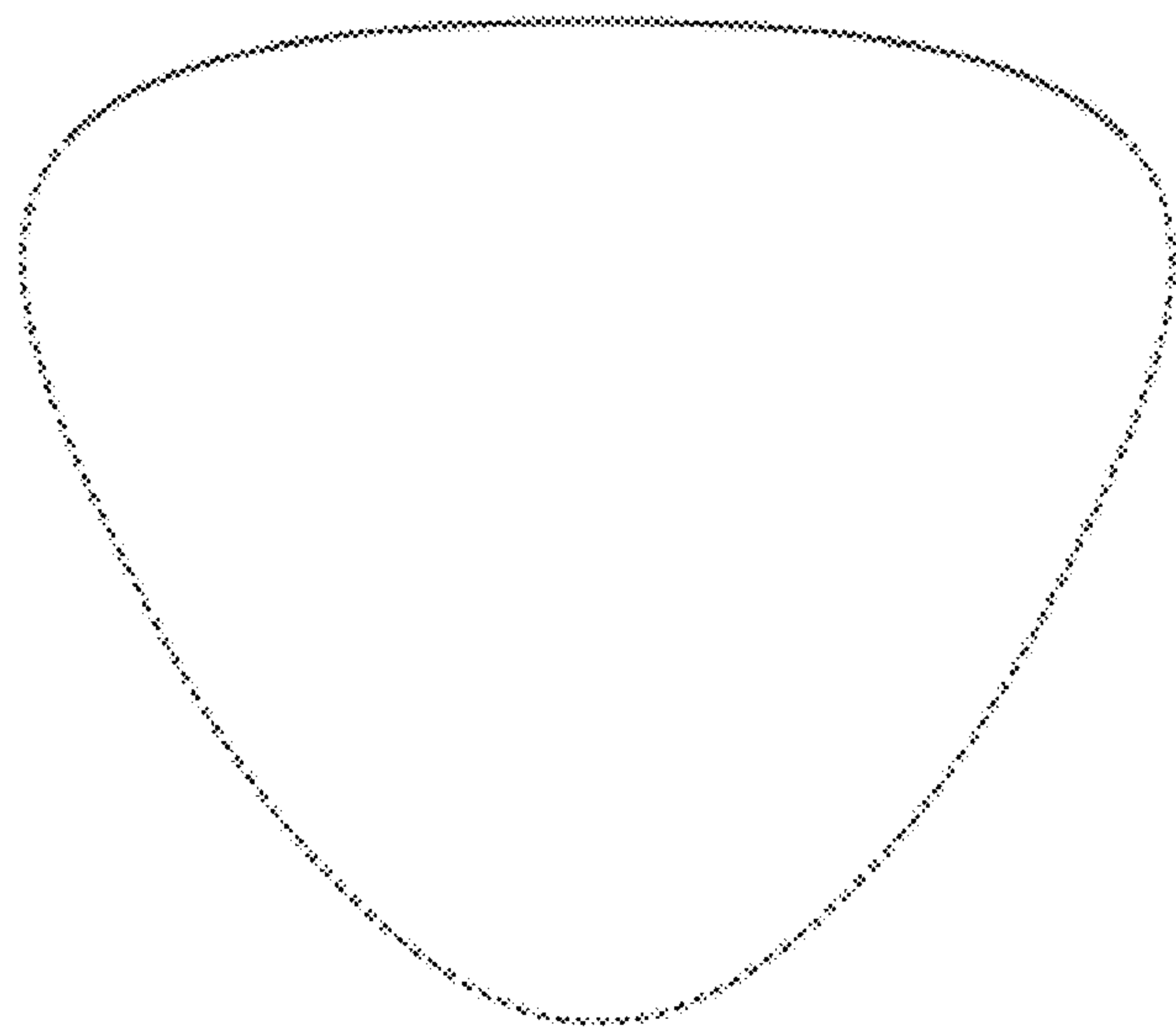


Fig. 84

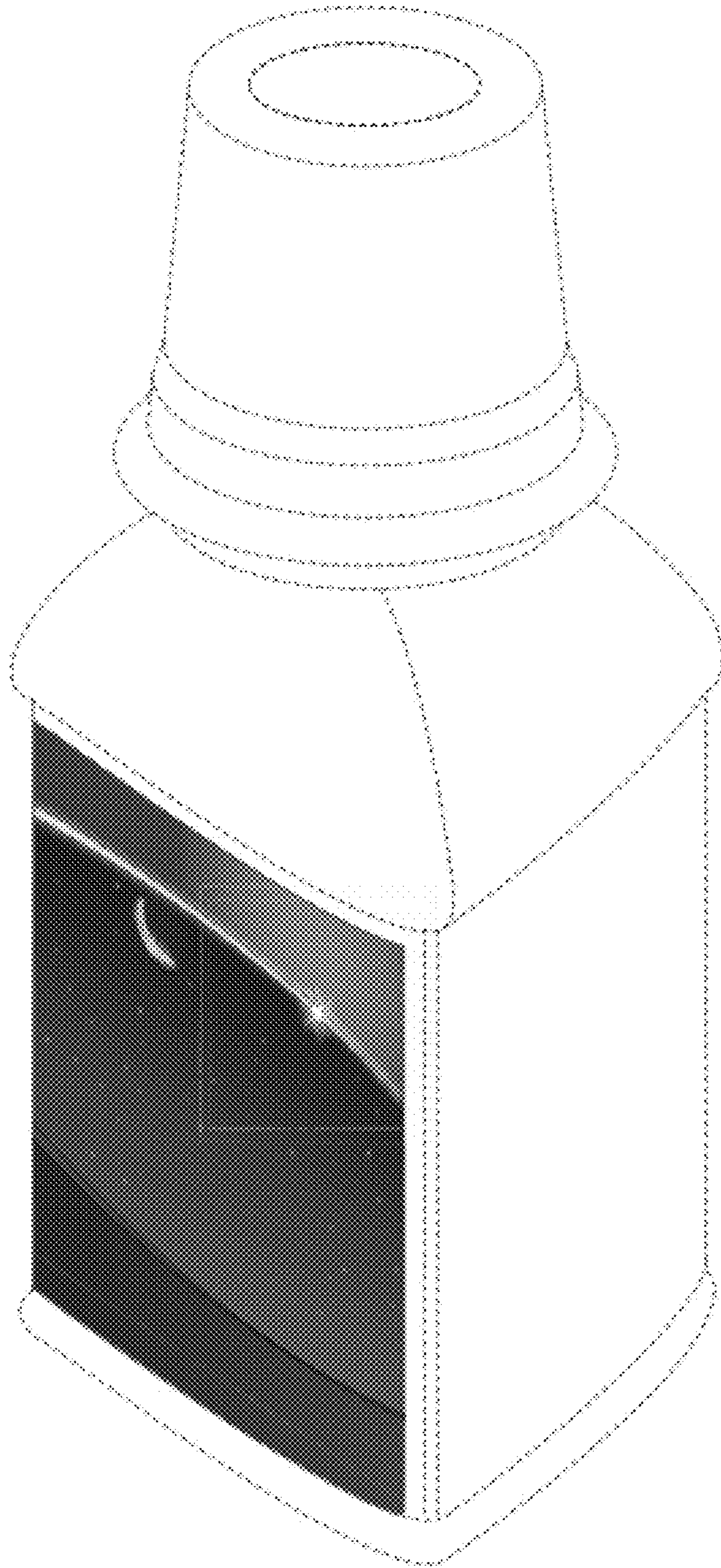


Fig. 85



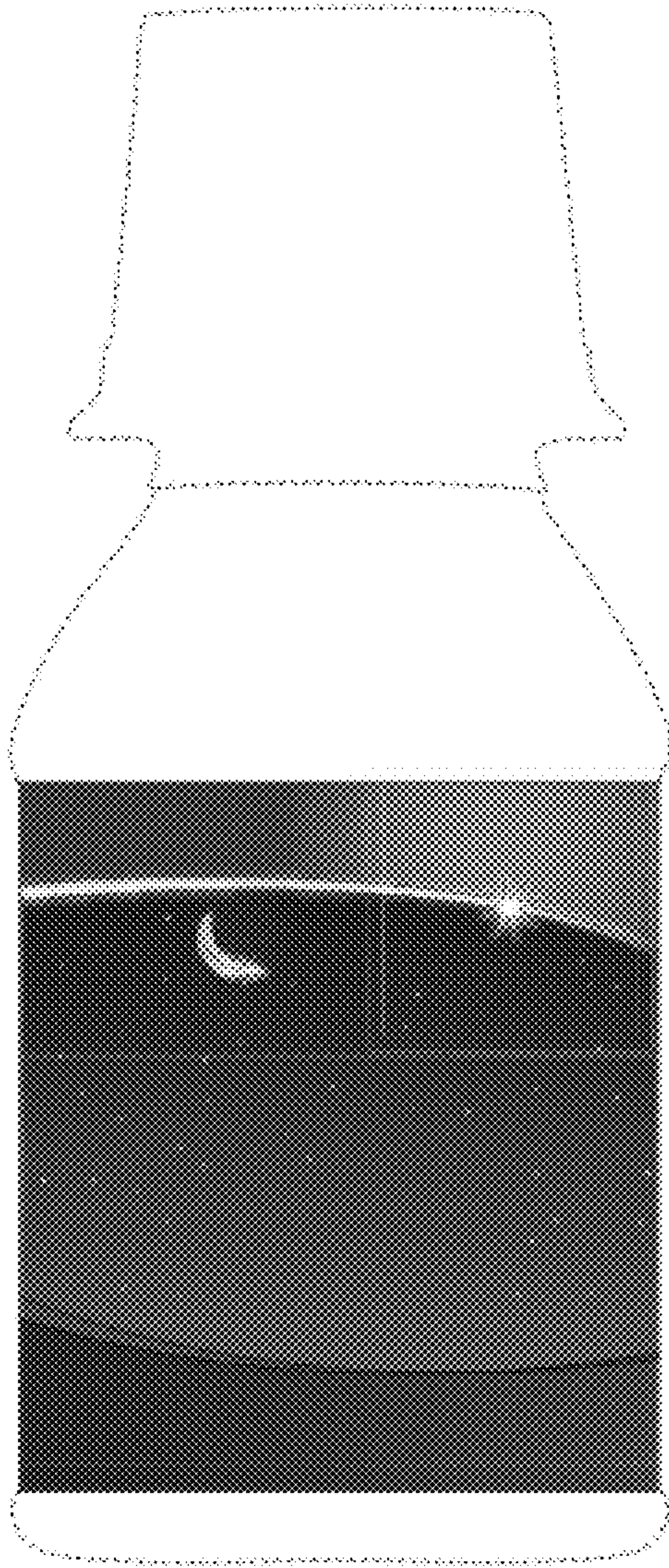


Fig. 86

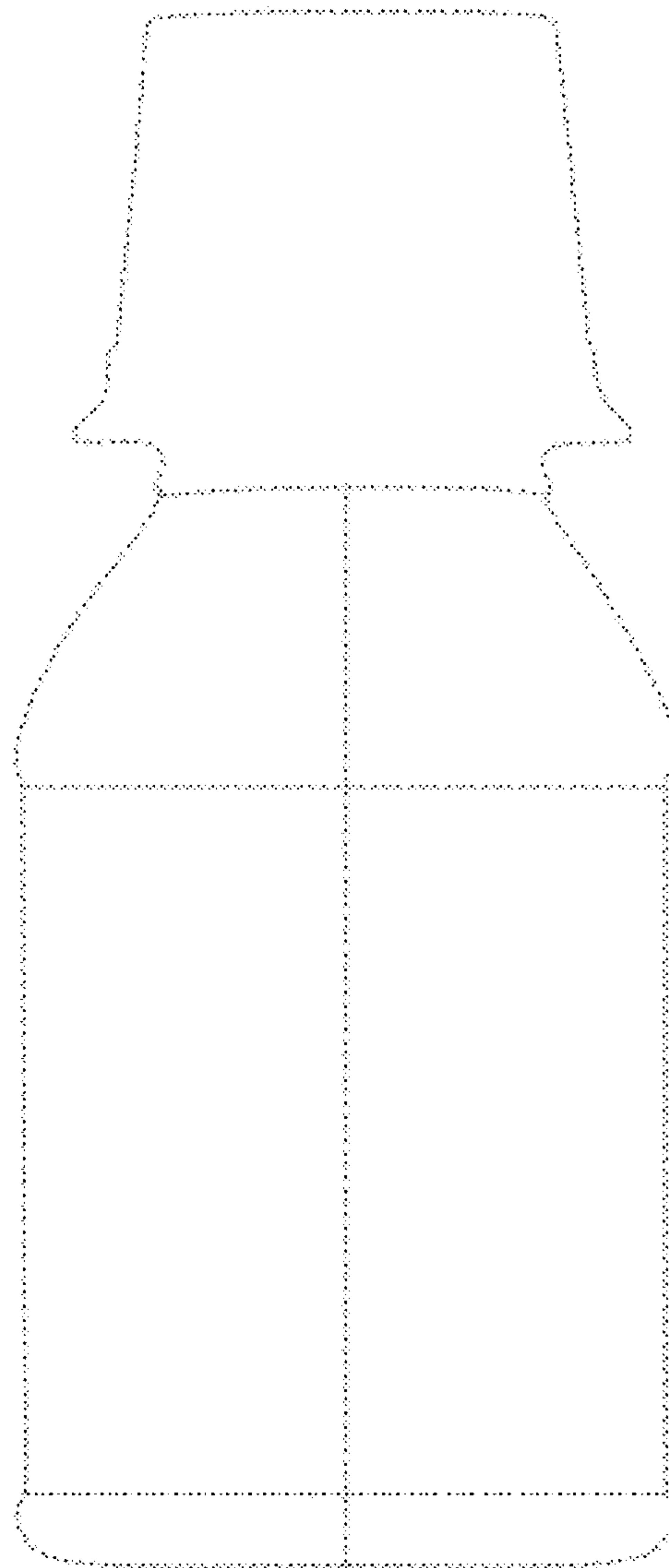


Fig. 87

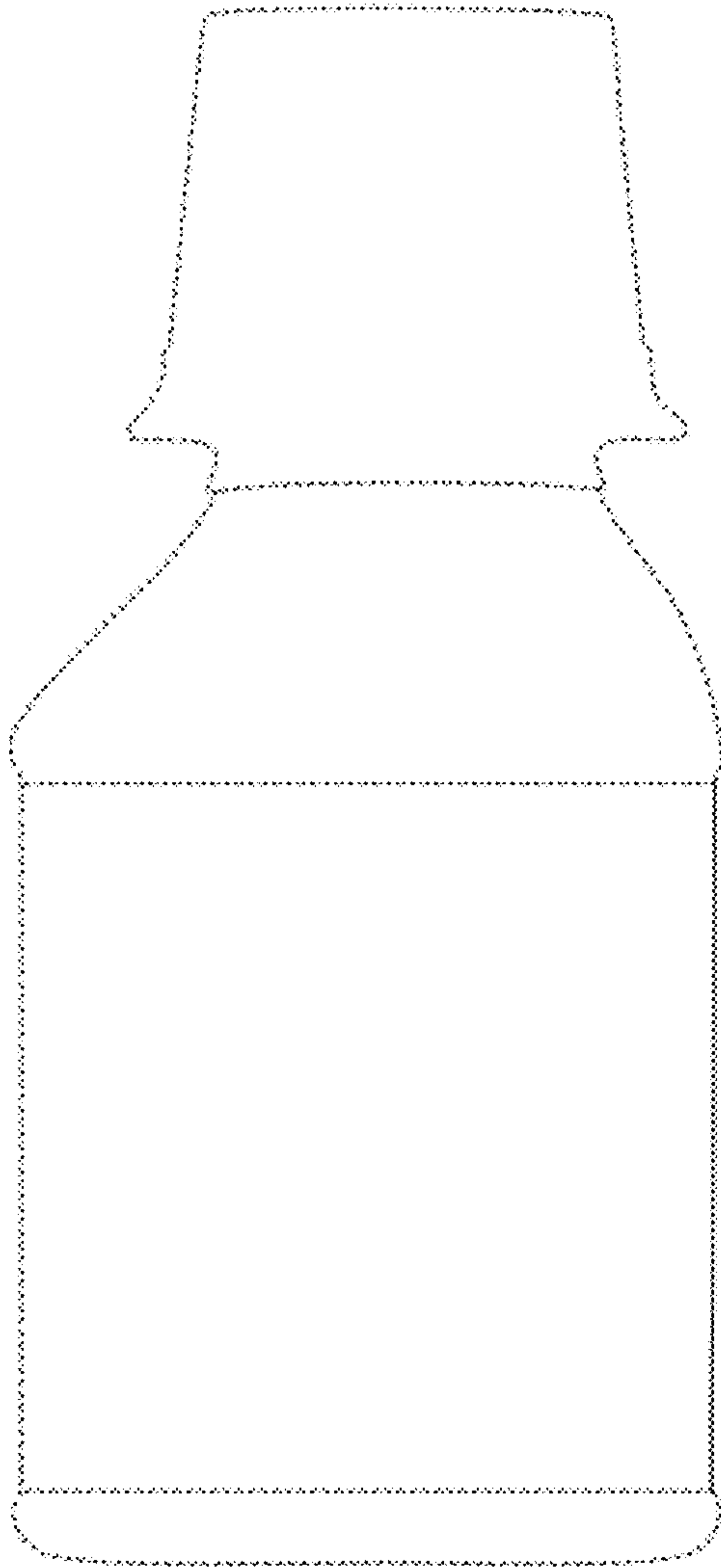


Fig. 88

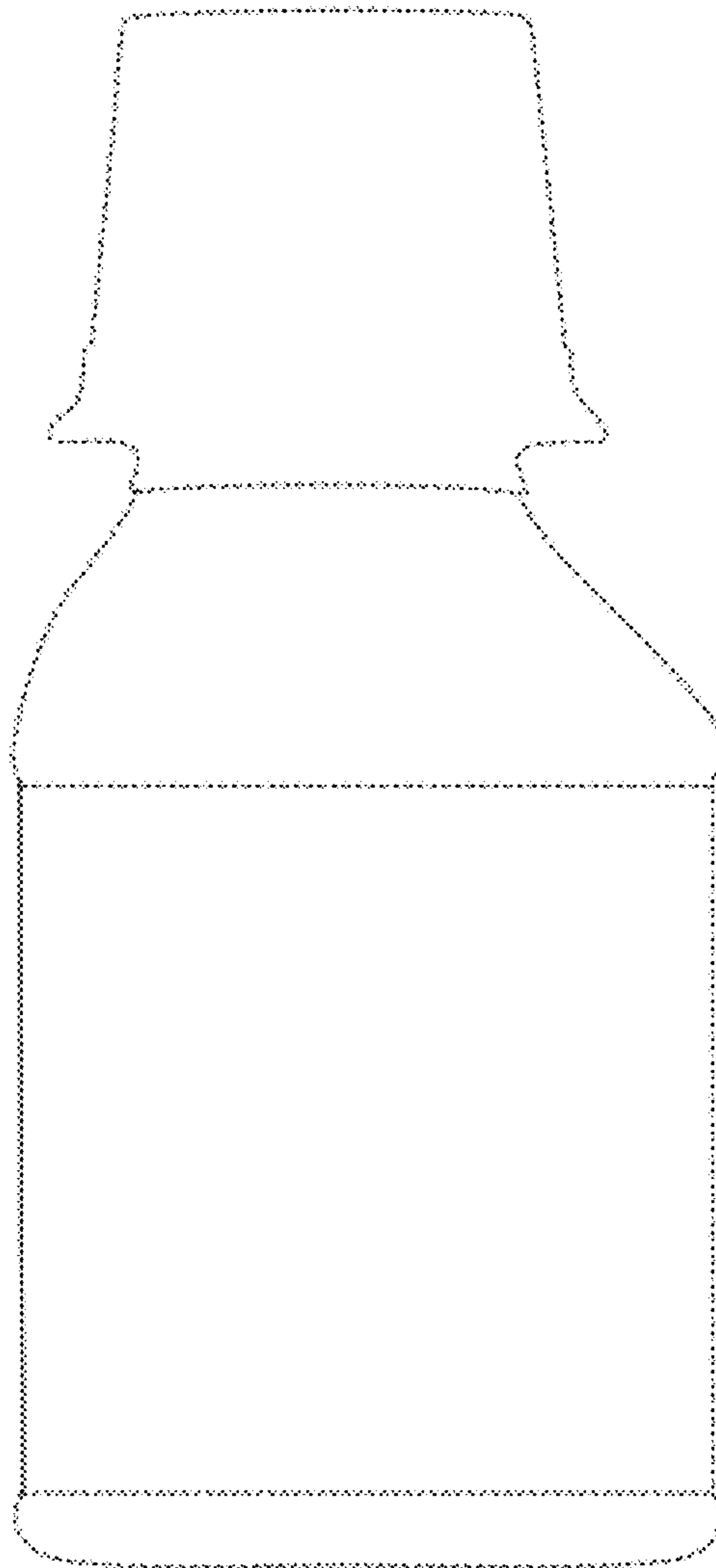


Fig. 89



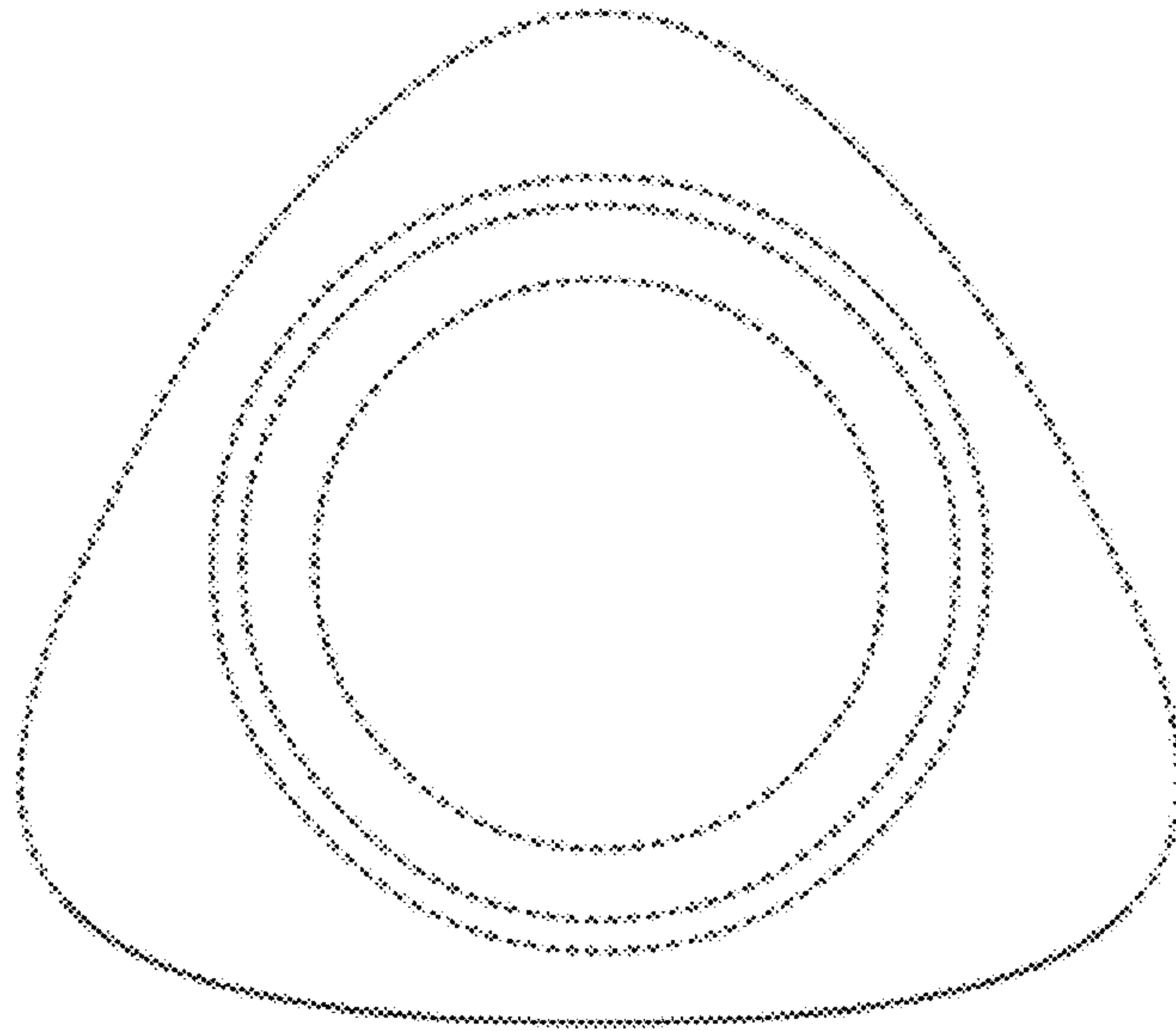


Fig. 90

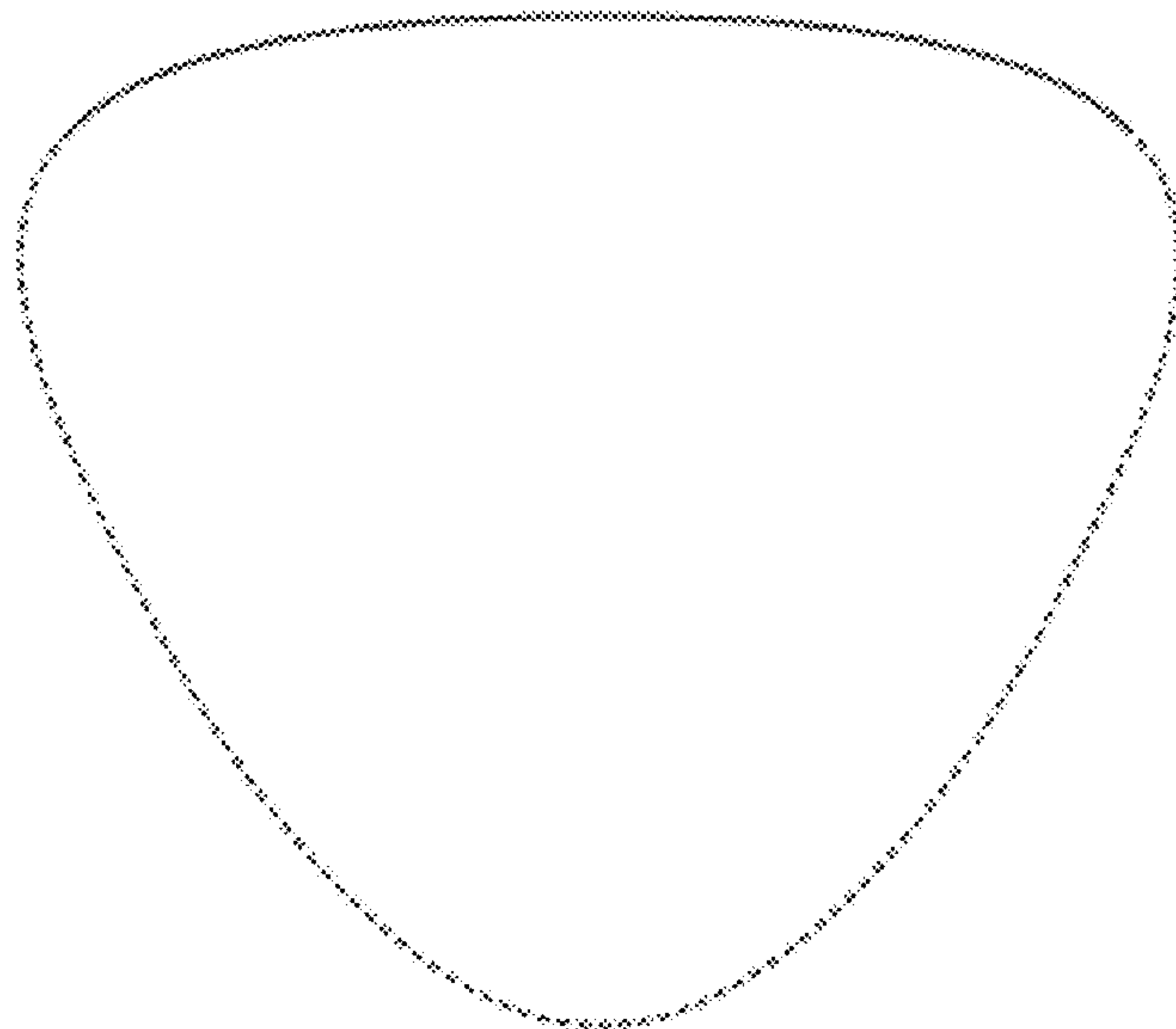


Fig. 91

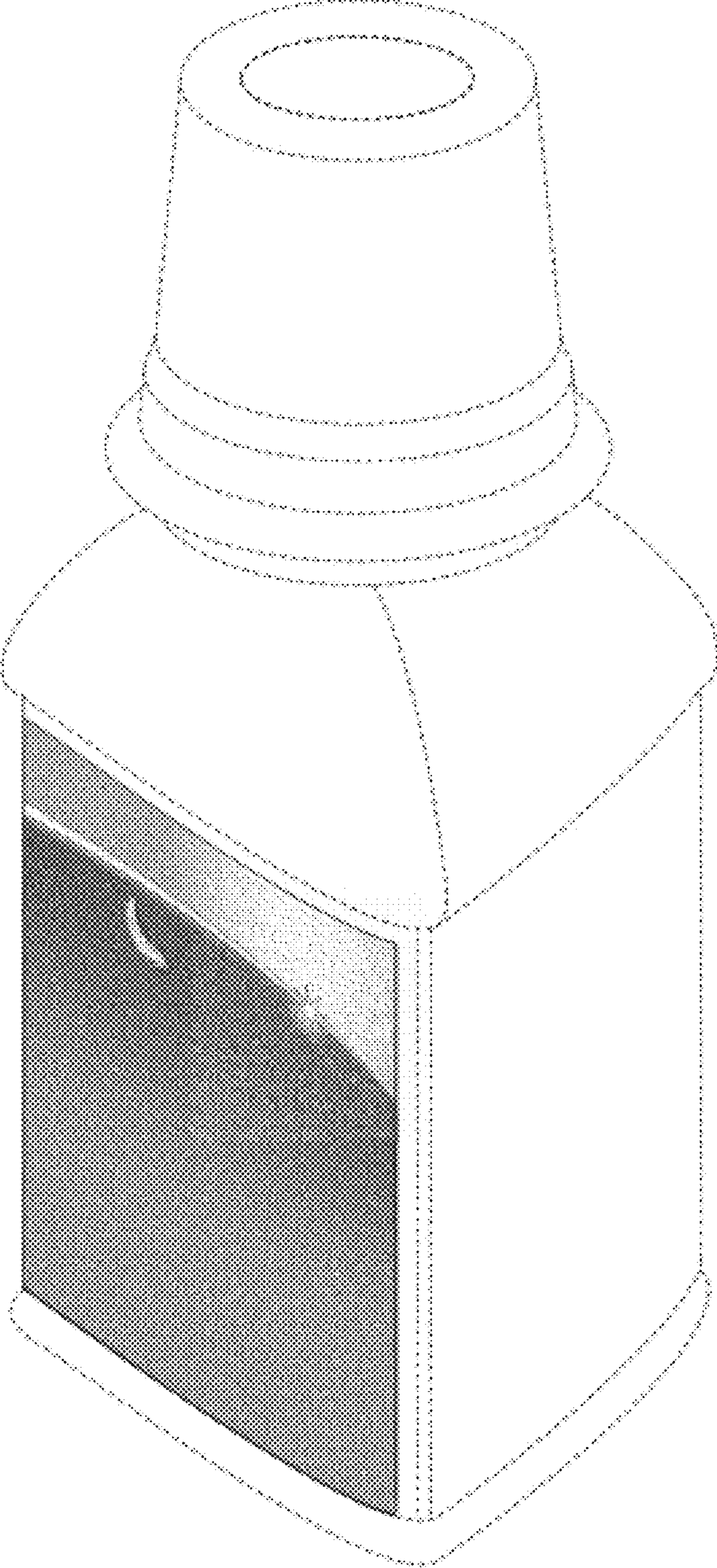


Fig. 92



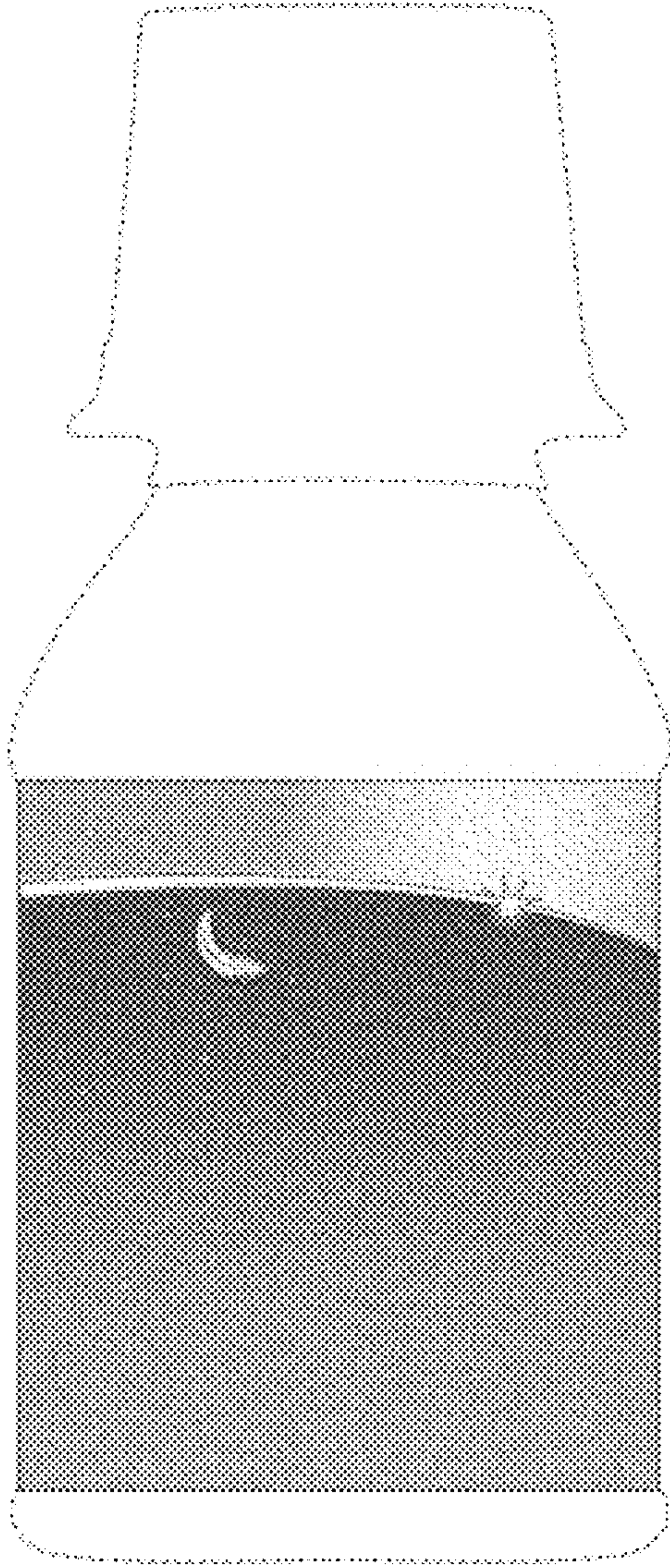


Fig. 93

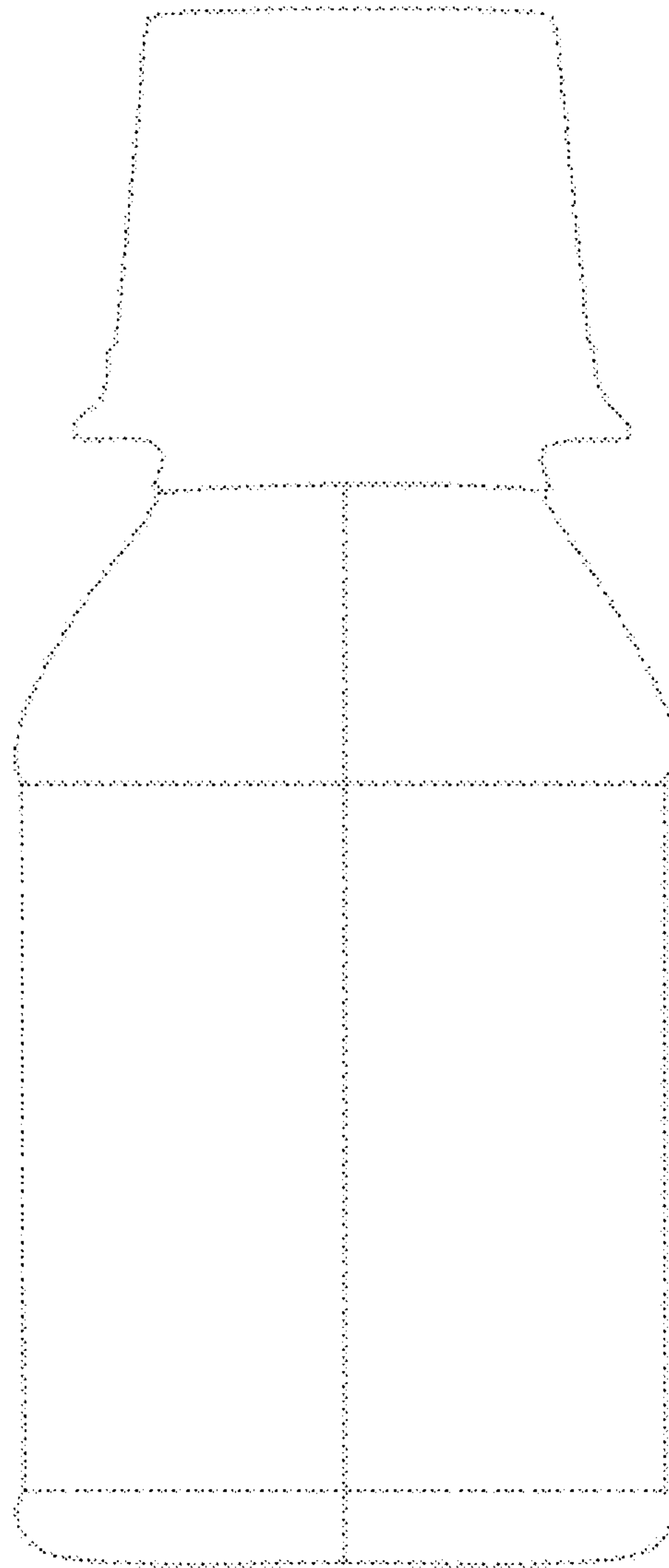


Fig. 94

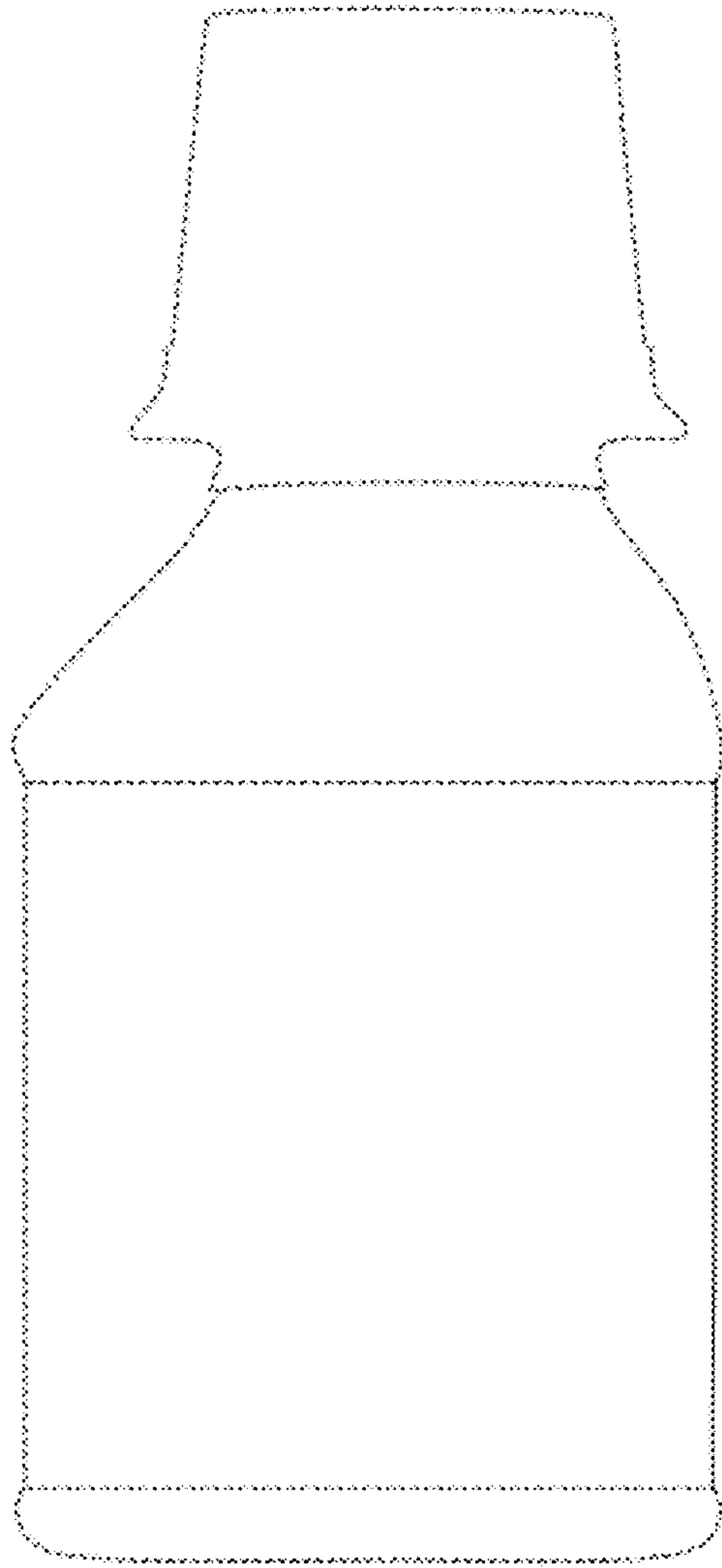


Fig. 95

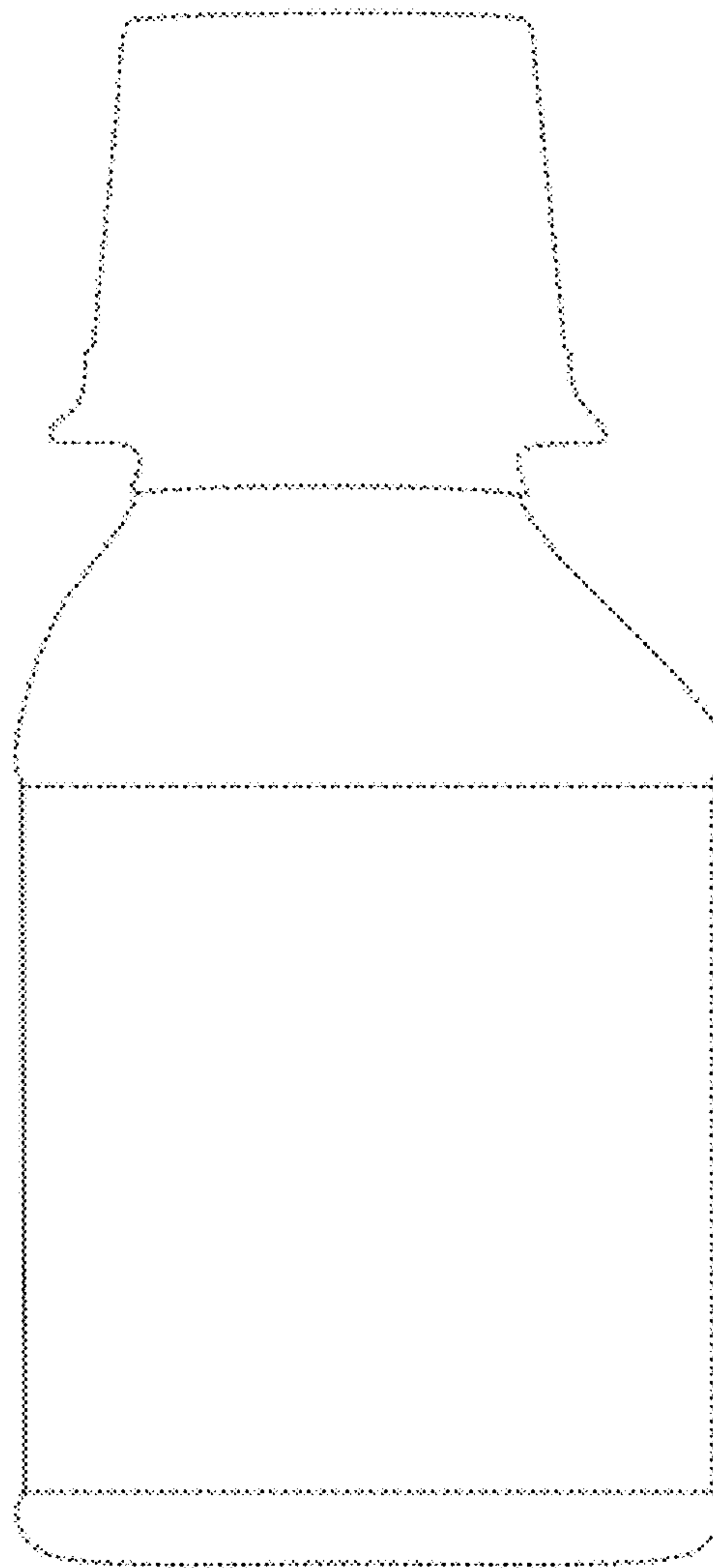


Fig. 96



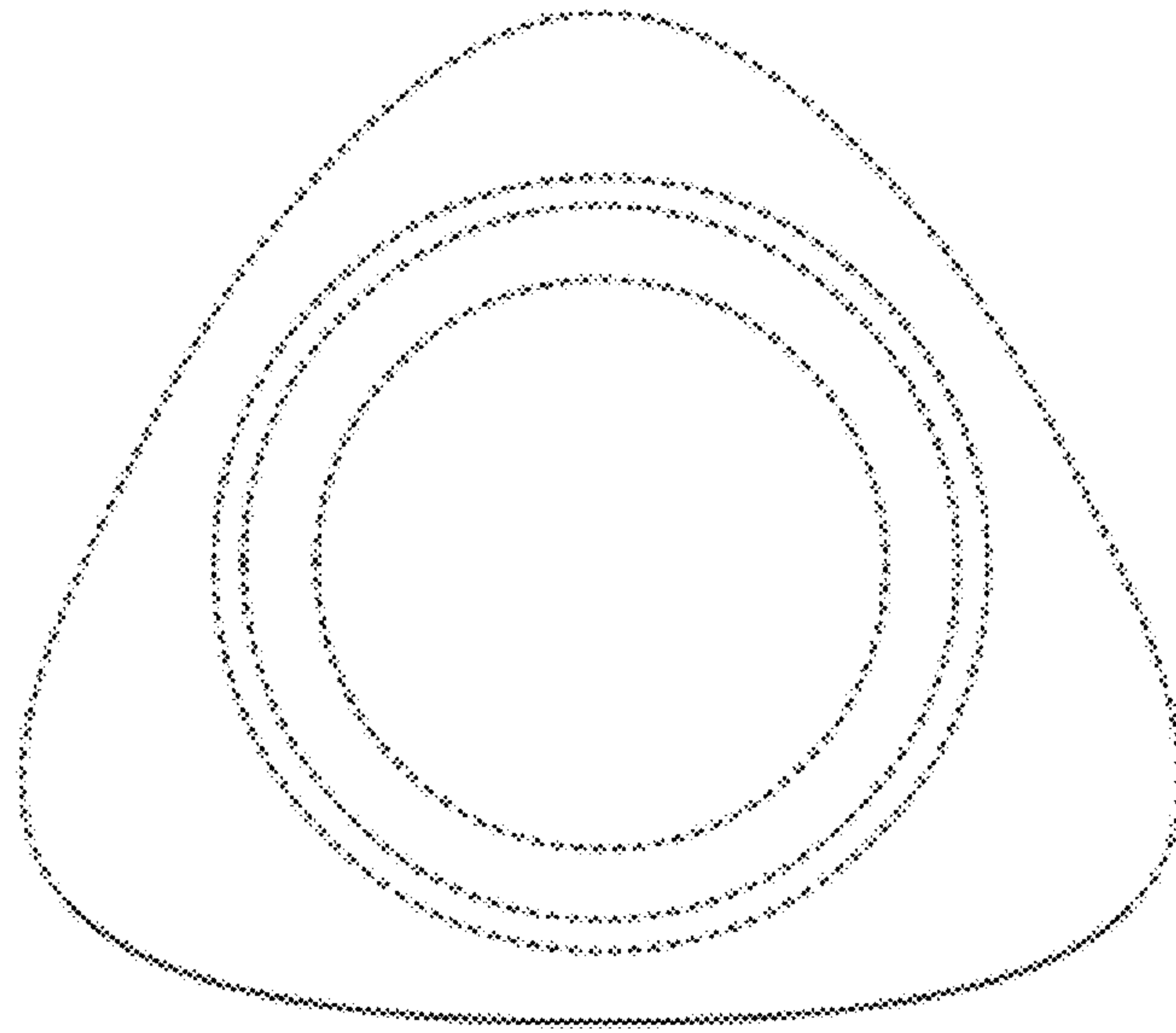


Fig. 97

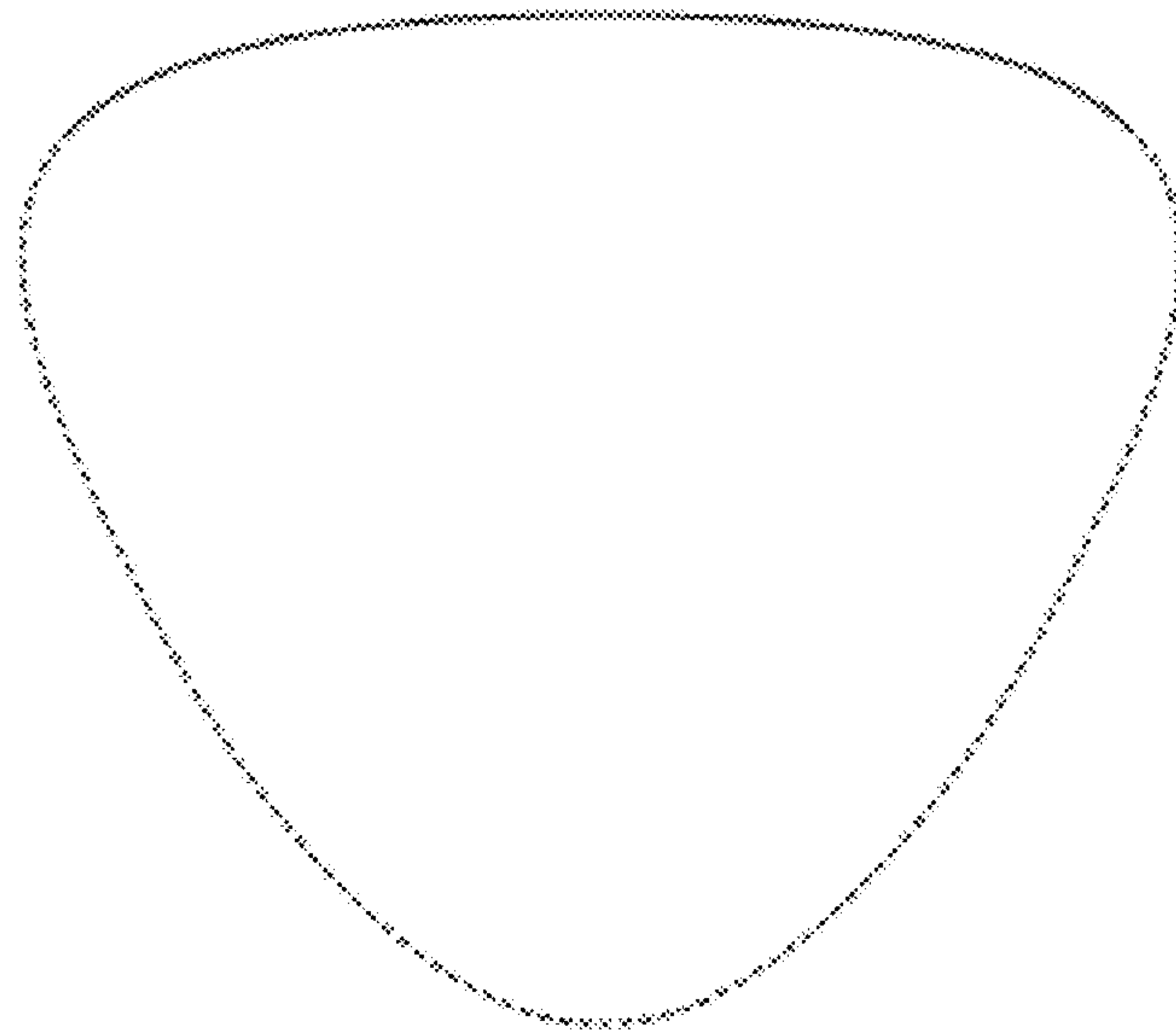


Fig. 98

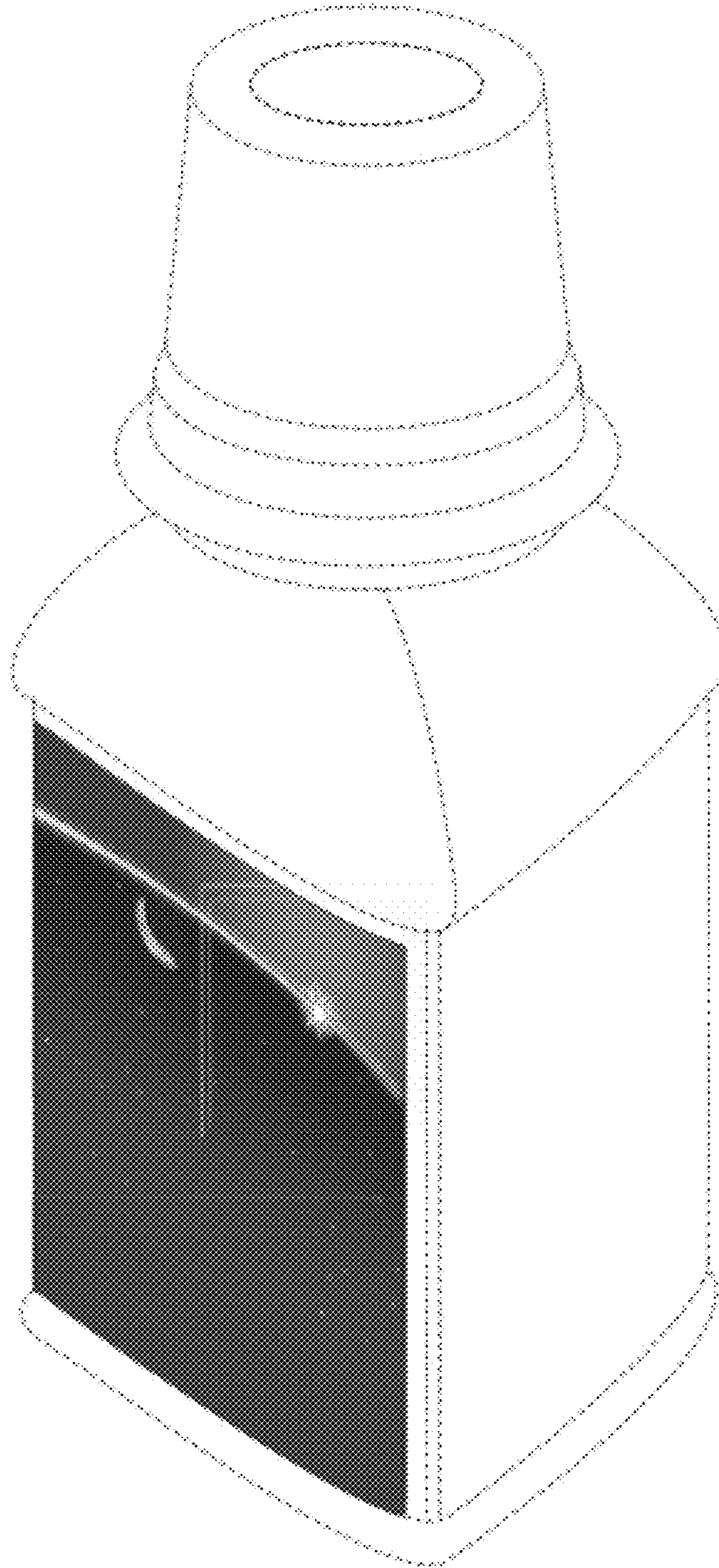


Fig 99



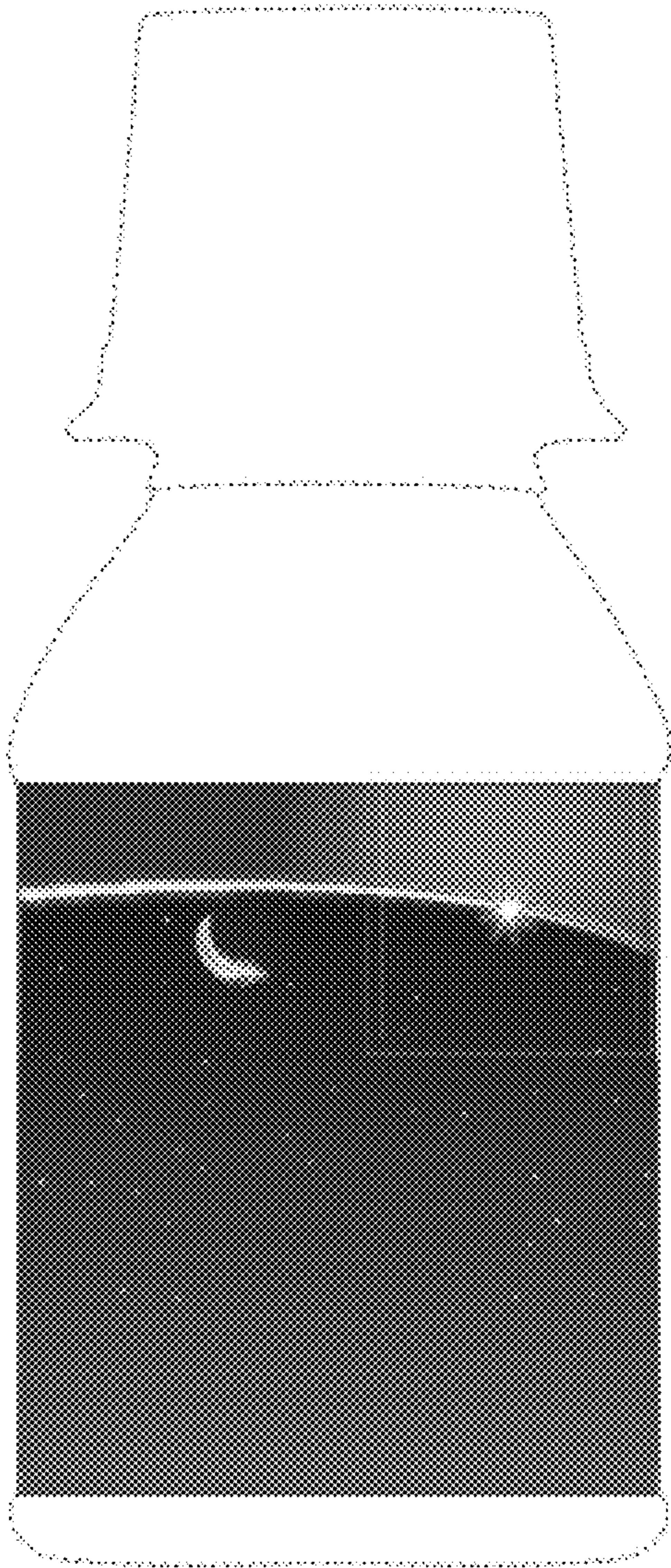


Fig. 100

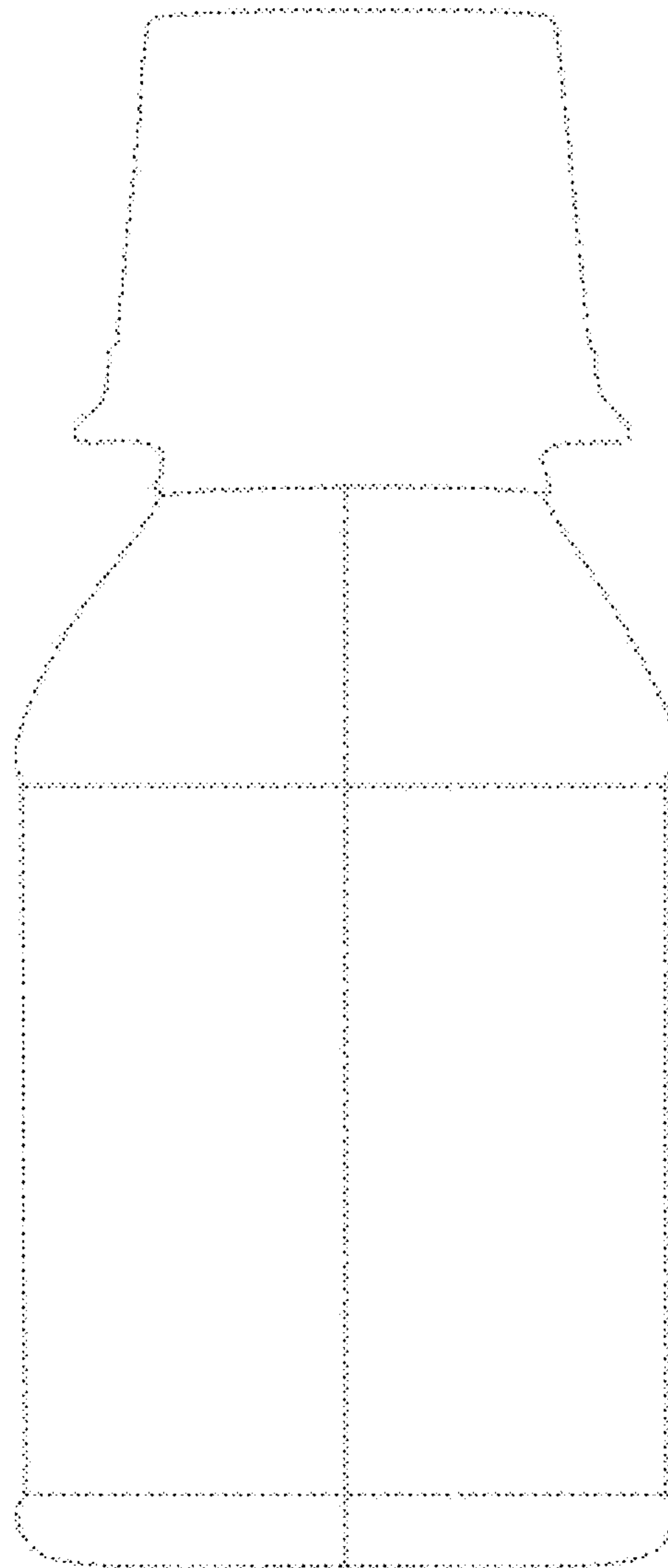


Fig. 101

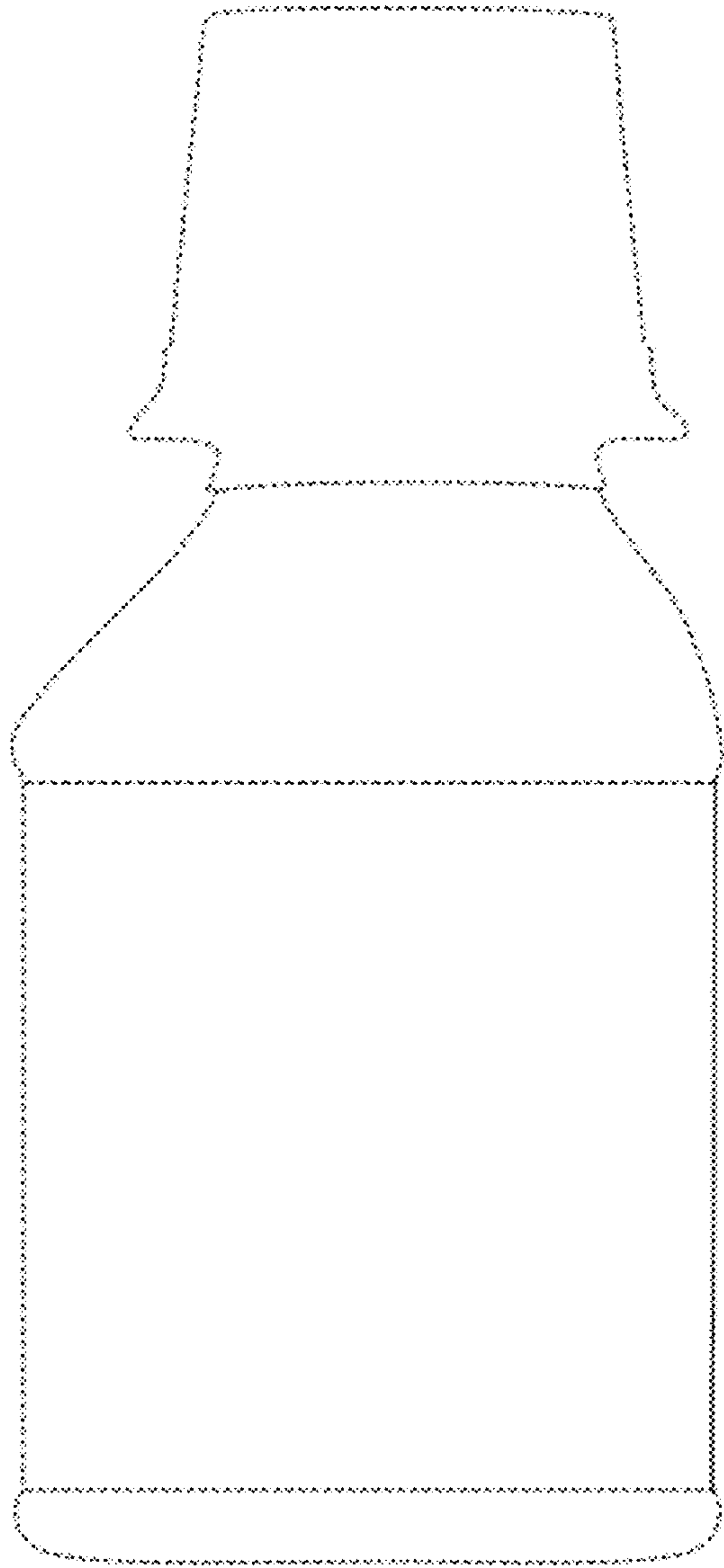


Fig. 102

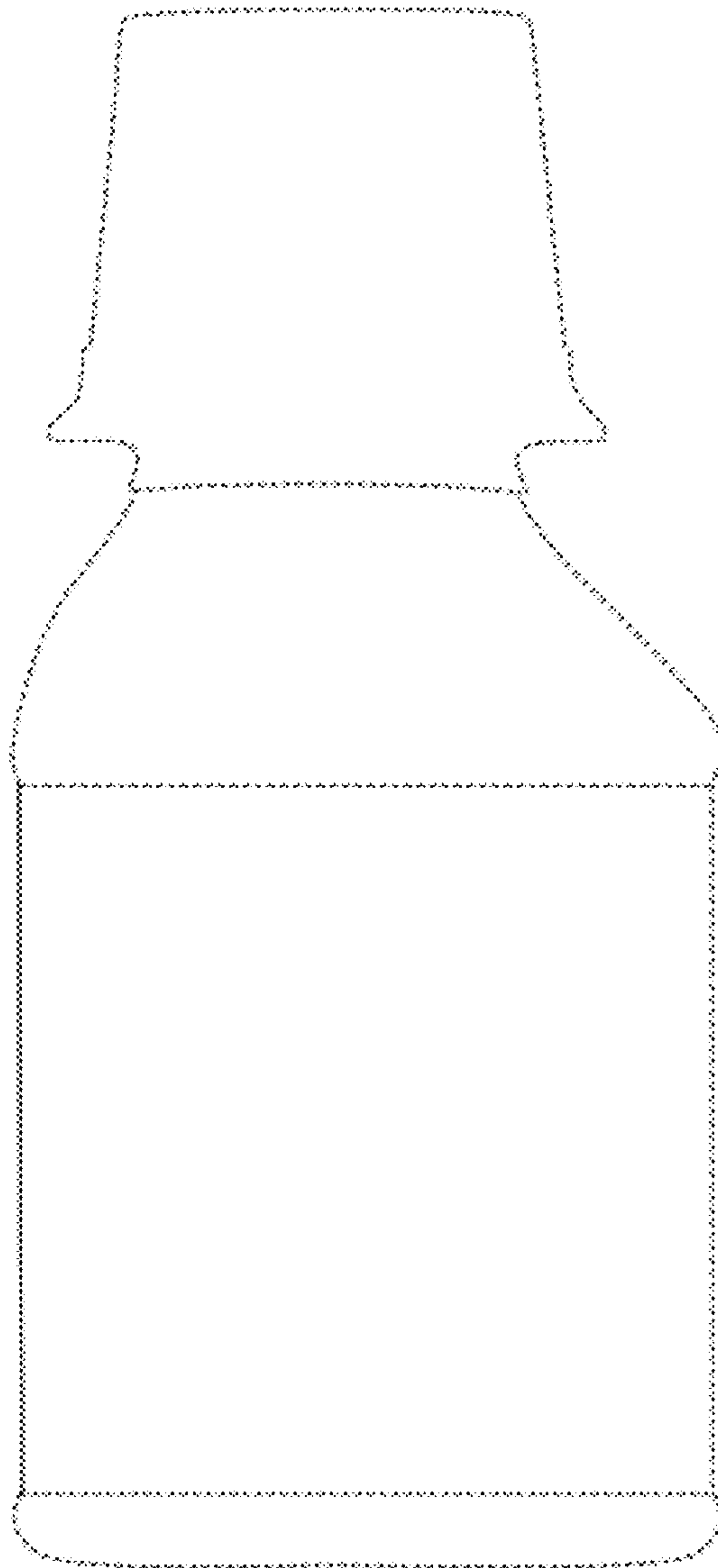


Fig. 103

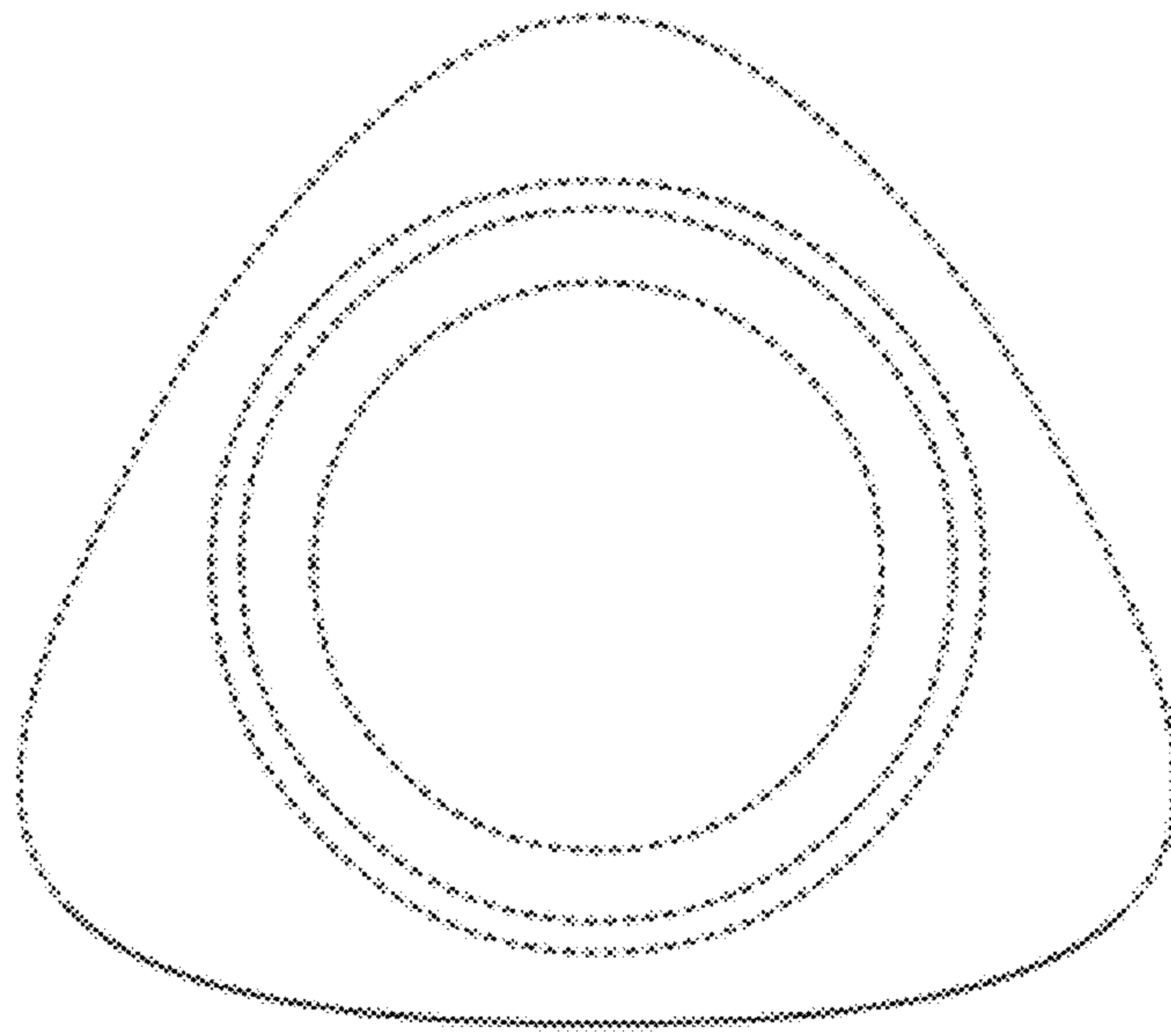


Fig. 104

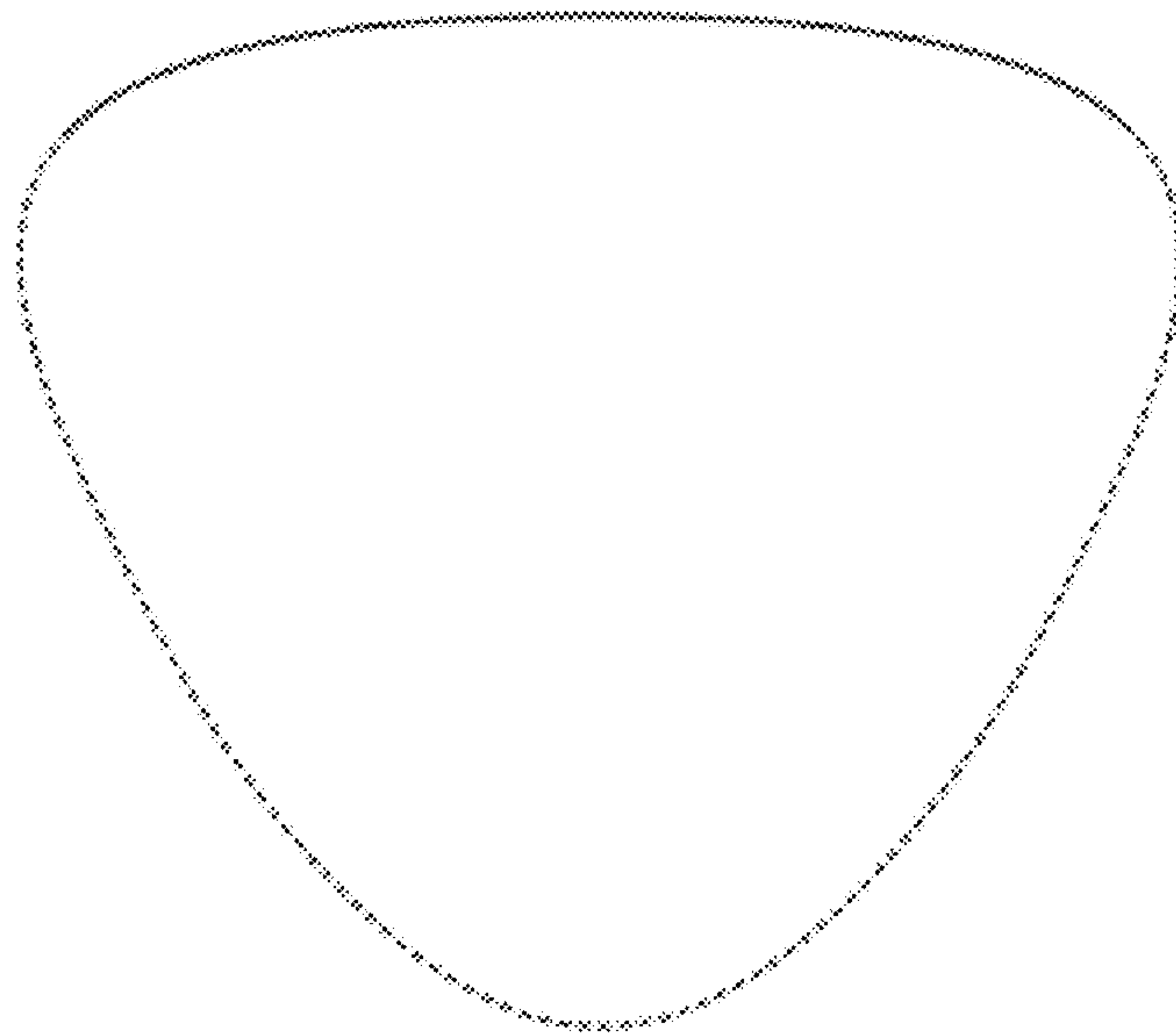


Fig. 105



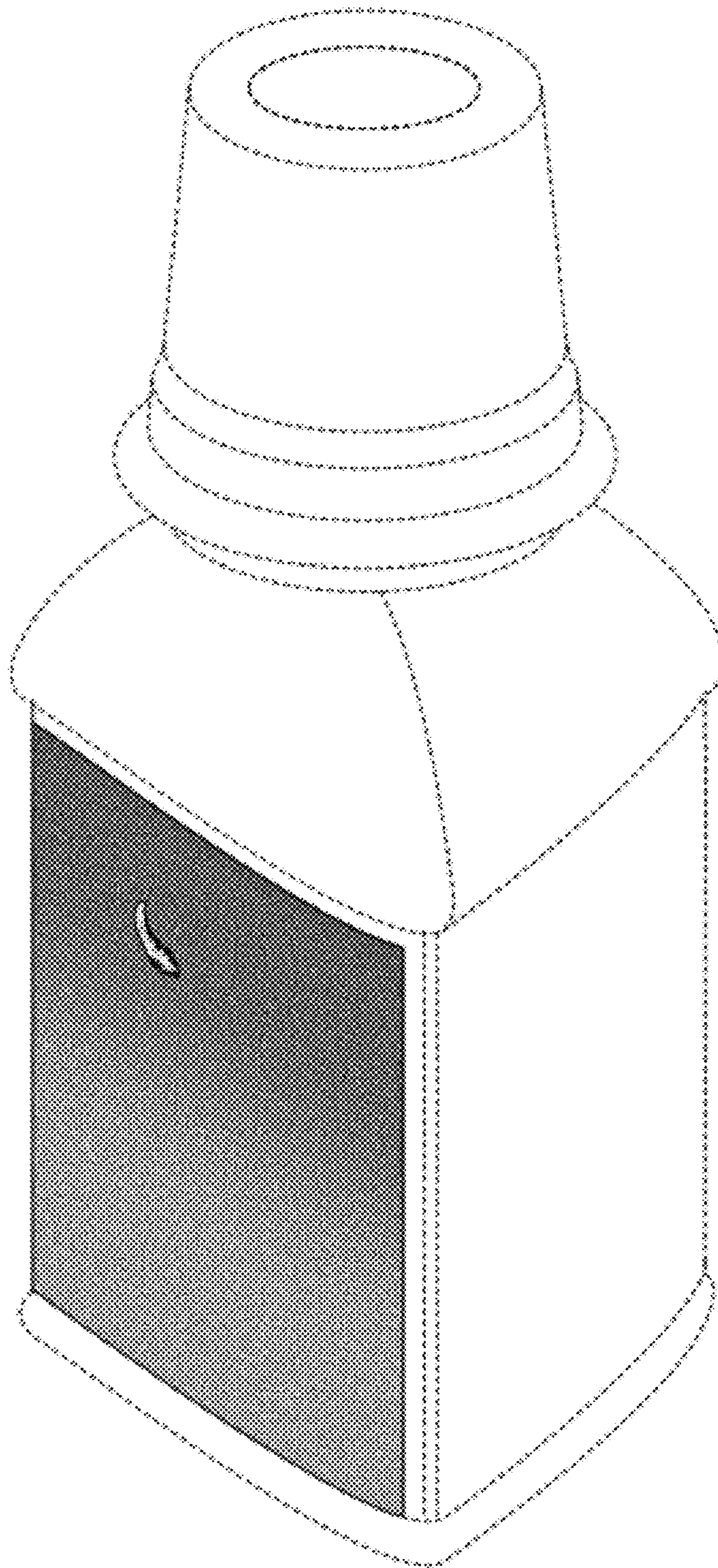


Fig. 106

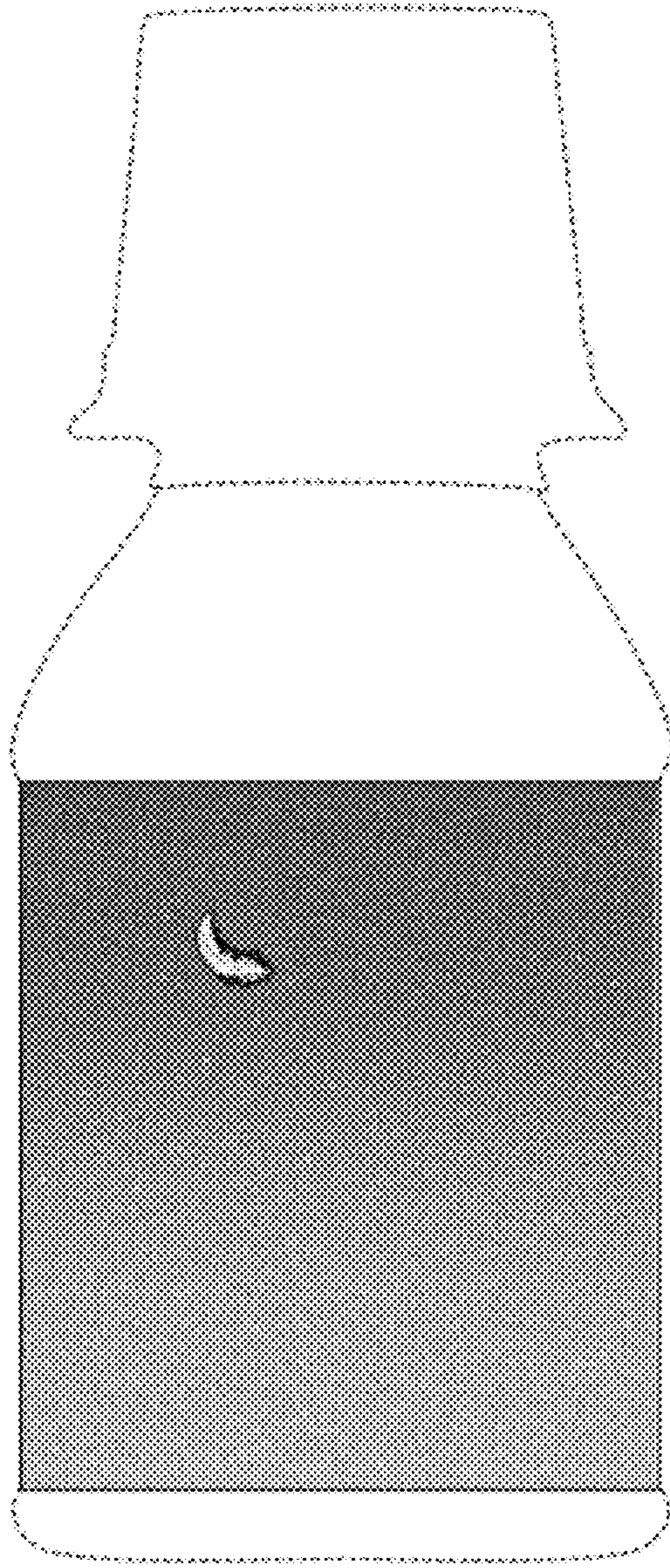


Fig. 107

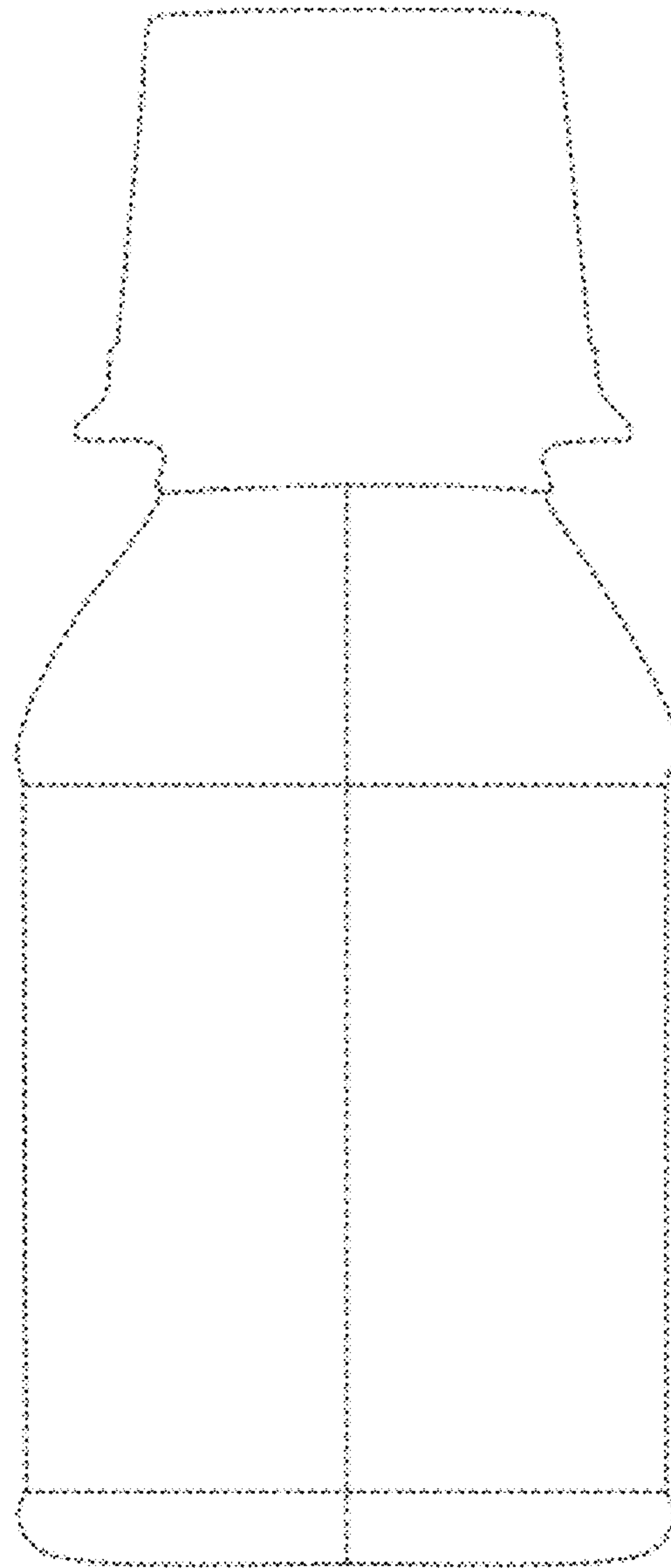


Fig. 108

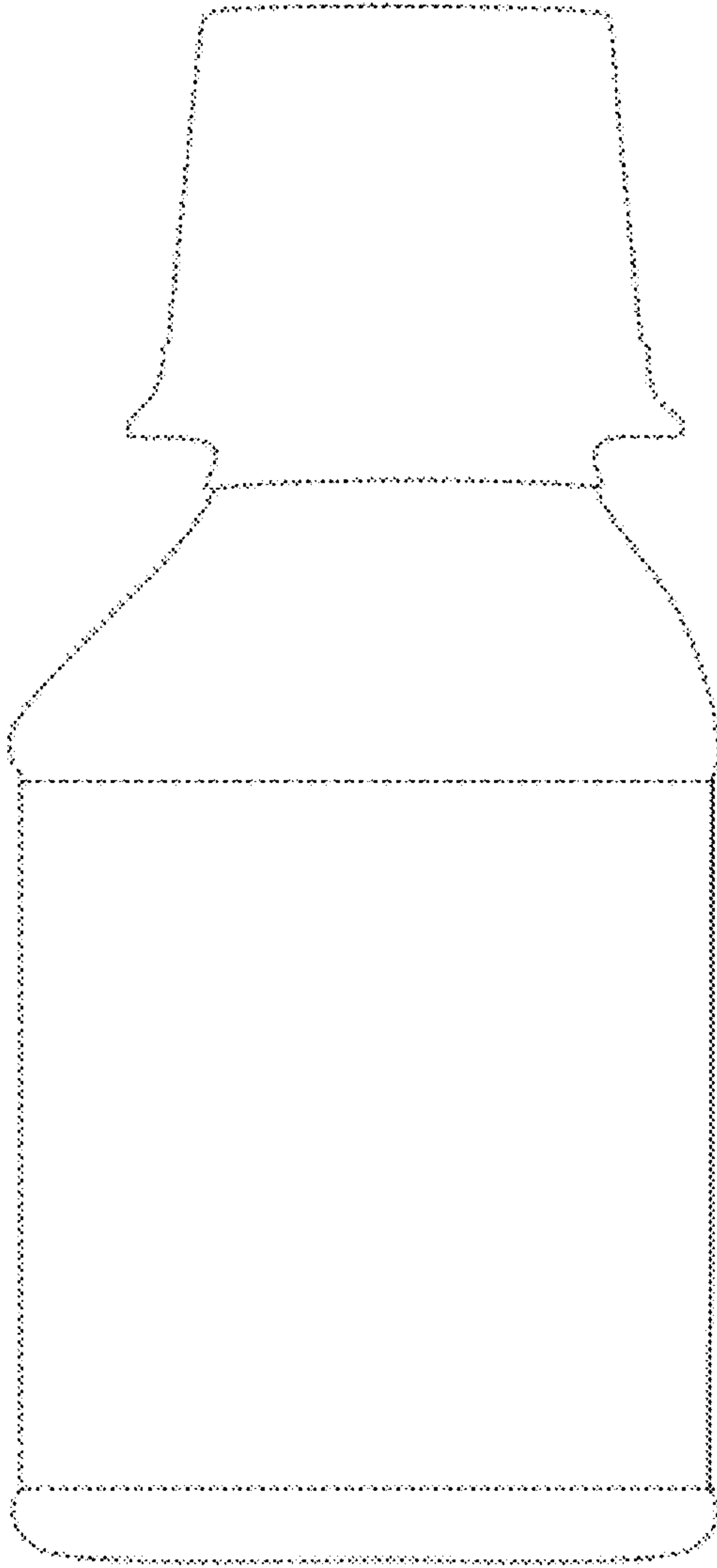


Fig. 109

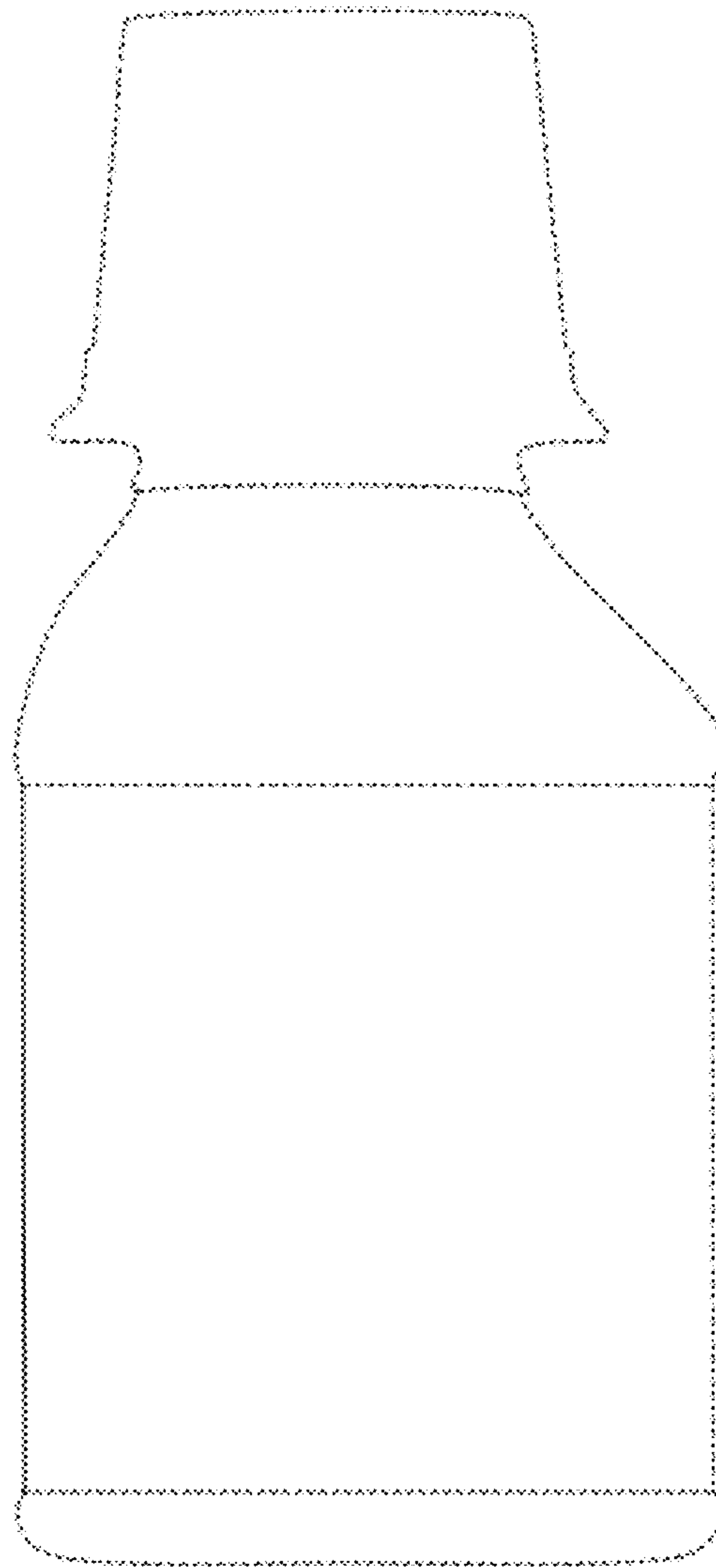


Fig. 110



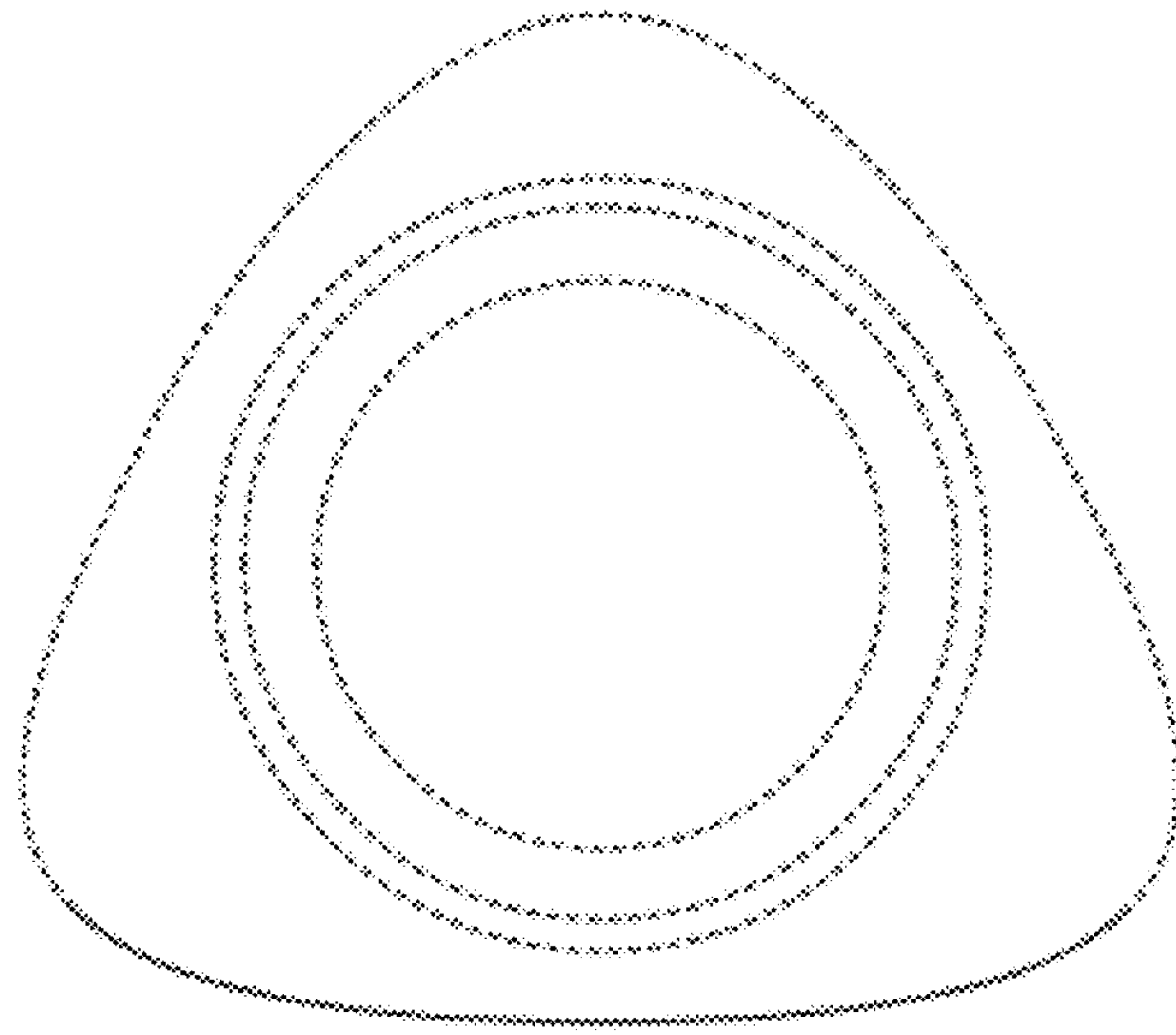


Fig. 111

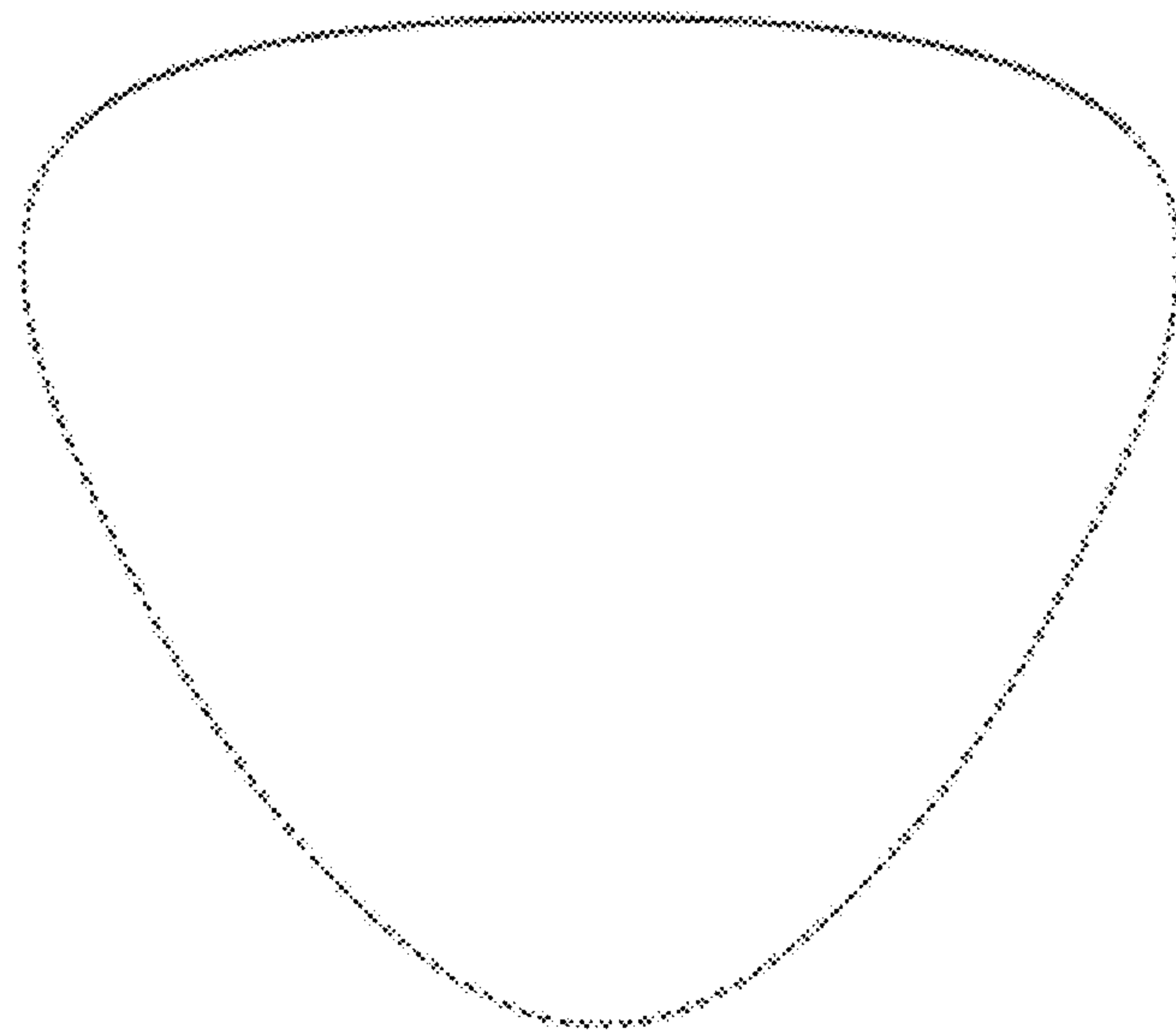


Fig. 112