

US00D669787S

(12) **United States Design Patent**
Braun et al.

(10) **Patent No.:** **US D669,787 S**
(45) **Date of Patent:** **** Oct. 30, 2012**

(54) **CONTAINER**

(75) Inventors: **Jason A. Braun**, Lake Hiawatha, NJ (US); **Farhad Alibhai**, Toronto (CA); **Derek J. Romeo**, Ridgewood, NJ (US); **Mark J. Ramundo**, Waldwick, NJ (US)

(73) Assignee: **Kraft Foods Global Brands LLC**, Northfield, IL (US)

(**) Term: **14 Years**

(21) Appl. No.: **29/419,748**

(22) Filed: **May 1, 2012**

Related U.S. Application Data

(60) Continuation of application No. 29/385,721, filed on Feb. 18, 2011, now Pat. No. Des. 660,161, which is a division of application No. 29/357,740, filed on Mar. 16, 2010, now Pat. No. Des. 635,458, which is a continuation-in-part of application No. 29/339,545, filed on Jul. 1, 2009, now Pat. No. Des. 614,034.

(51) **LOC (9) Cl.** **09-01**

(52) **U.S. Cl.** **D9/538; D9/551; D9/558**

(58) **Field of Classification Search** D9/500, D9/516, 537-541, 549, 551, 558, 564, 574-575; 215/381-385

See application file for complete search history.

(56) **References Cited**

U.S. PATENT DOCUMENTS

D21,711 S	7/1892	Mott
D32,283 S	2/1900	Farnan
D63,326 S	11/1923	Root
D65,143 S	7/1924	Sanford
D77,618 S	1/1929	Mas
D123,235 S	10/1940	Nuschafer
D177,263 S	3/1956	Kilmon
D188,817 S	9/1960	Whittier et al.
D193,031 S	6/1962	Hills

D196,389 S	9/1963	Mason et al.
3,144,152 A	8/1964	Kopp
D200,013 S	1/1965	Lorenzen
D205,802 S	9/1966	Pettengill
D210,571 S	3/1968	Vanderhyde
D211,509 S	6/1968	Vanderhyde
D213,421 S	3/1969	Leary
D214,425 S	6/1969	Vanderhyde
D218,020 S	7/1970	Musson
D222,125 S	10/1971	Roberts
D225,510 S	12/1972	Strand
D236,433 S	8/1975	Strand

(Continued)

FOREIGN PATENT DOCUMENTS

JP 2000043874 2/2000

(Continued)

Primary Examiner — Carol P Rademaker

(74) *Attorney, Agent, or Firm* — Fitch, Even, Tabin & Flannery, LLP

(57) **CLAIM**

The ornamental design for a container, as shown and described.

DESCRIPTION

FIG. 1 is a top, front perspective view of a container showing our new design;

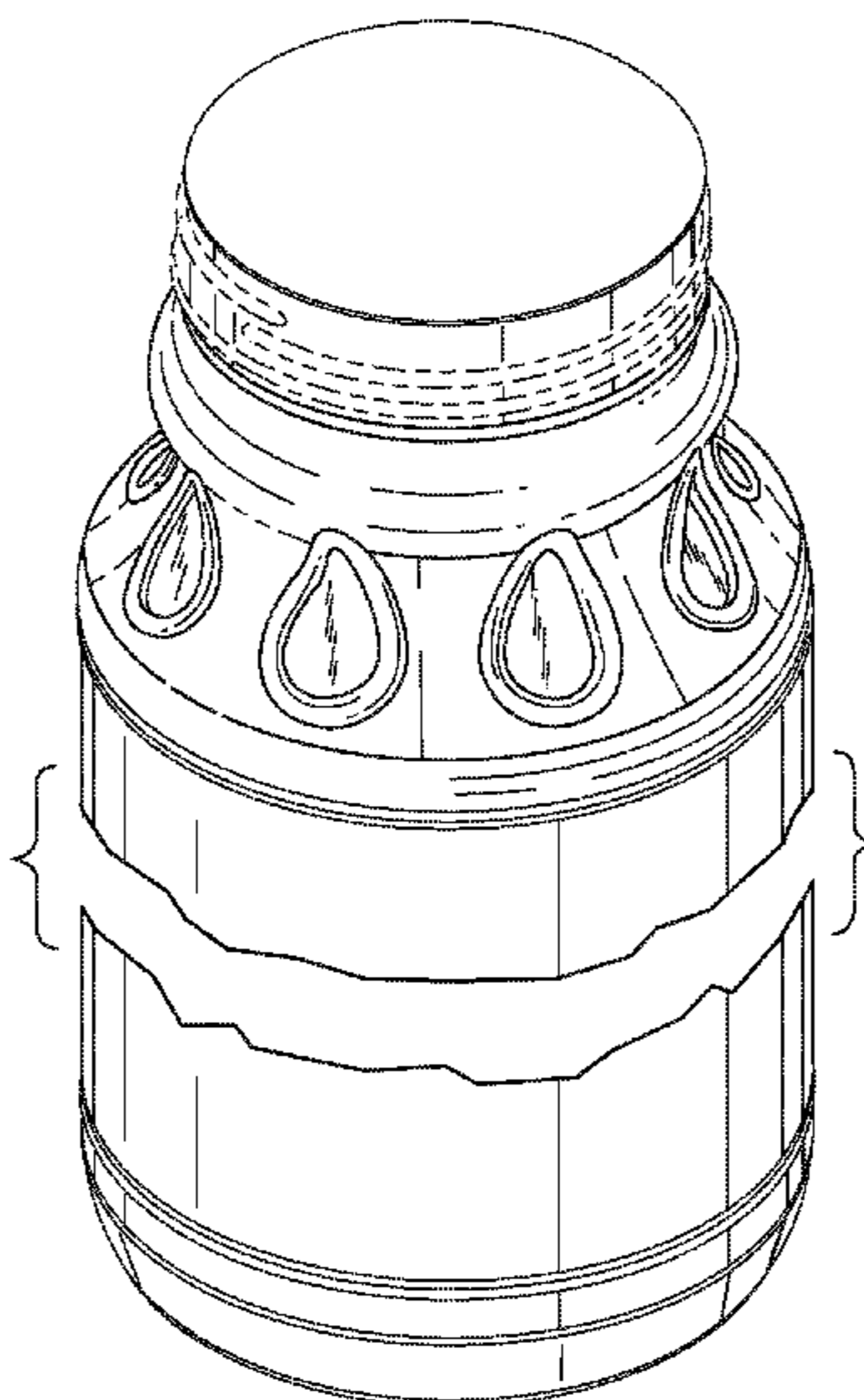
FIG. 2 is a front elevational view thereof, the rear elevational view, the right side elevational view, and the left side elevational view being identical except for the unclaimed thread; and,

FIG. 3 is a top plan view thereof.

The broken lines shown in the drawings are included for the purpose of illustrating environmental structure and form no part of the claimed design.

The bracketed portions shown in the FIGS. 1 & 2 drawing views showing a horizontal break in the sidewall represent indeterminate length.

1 Claim, 3 Drawing Sheets



US D669,787 S

Page 2

U.S. PATENT DOCUMENTS							
D237,586	S	11/1975	Plummer	D467,813	S	12/2002	Silvers et al.
D239,816	S	5/1976	Thomson et al.	6,520,362	B2	2/2003	Heisel et al.
D242,527	S	11/1976	Plummer	D476,234	S	6/2003	Steele, IV et al.
D242,691	S	12/1976	Koenigsberg	D476,575	S	7/2003	Steele, IV et al.
4,108,324	A	8/1978	Krishnakumar et al.	D477,226	S	7/2003	Chirico et al.
D284,550	S	7/1986	Parrack	6,595,480	B1	7/2003	Orlick
4,610,366	A	9/1986	Estes et al.	D480,310	S	10/2003	Yourist
D295,372	S	4/1988	Kletle et al.	6,659,300	B2	12/2003	Wurster et al.
D295,377	S	4/1988	Rogier et al.	6,662,960	B2	12/2003	Hong et al.
D295,378	S	4/1988	Rogier	6,662,961	B2	12/2003	Yourist
D295,379	S	4/1988	Rogier et al.	6,666,001	B2	12/2003	Mero
D304,683	S	11/1989	Hofer	D485,496	S	1/2004	Steele, IV et al.
D309,711	S	8/1990	Biesecker	D485,497	S	1/2004	Steele, IV et al.
D315,678	S	3/1991	Darr	D486,069	S	2/2004	Steele, IV et al.
D320,154	S	9/1991	Alberghini et al.	D487,228	S	3/2004	Heisner et al.
5,067,622	A	11/1991	Garver et al.	D488,719	S	4/2004	Evans et al.
D322,562	S	12/1991	Narsutis	D489,625	S	5/2004	Steele, IV et al.
D327,007	S	6/1992	Olds	D491,812	S	6/2004	Eberle et al.
5,156,285	A	10/1992	Zogg et al.	D495,602	S	9/2004	Daly et al.
5,158,190	A	10/1992	Sosenko	D496,264	S	9/2004	Eaton et al.
D331,880	S	12/1992	Wegner, IV et al.	6,814,248	B2	11/2004	Beck et al.
D332,751	S	1/1993	Pischulti et al.	6,830,158	B2	12/2004	Yourist
5,224,614	A	7/1993	Bono et al.	D501,400	S	2/2005	Bretz et al.
D338,832	S	8/1993	Osip et al.	D503,343	S	3/2005	Canino
5,232,108	A	8/1993	Nakamura	D503,344	S	3/2005	Woolley et al.
5,234,126	A	8/1993	Jonas et al.	D503,885	S	4/2005	Bretz et al.
5,261,543	A	11/1993	Ugarelli	D504,069	S	4/2005	Gross et al.
D345,503	S	3/1994	Murphy	D504,617	S	5/2005	Pedmo et al.
D346,556	S	5/1994	Sirico et al.	D504,618	S	5/2005	Bretz et al.
5,310,068	A	5/1994	Saghri	D505,077	S	5/2005	Piccioli et al.
D347,793	S	6/1994	Wegner, IV et al.	D505,333	S	5/2005	Bretz et al.
D374,826	S	10/1996	Mackinson et al.	D505,334	S	5/2005	Bretz et al.
D376,760	S	12/1996	Sykes	D505,621	S	5/2005	Bretz et al.
5,593,056	A	1/1997	Mere et al.	D506,677	S	6/2005	Bretz et al.
D379,930	S	6/1997	Gobe	D507,492	S	7/2005	Bretz et al.
D380,671	S	7/1997	Young	D507,609	S	7/2005	Bretz et al.
D380,685	S	7/1997	Sleih	D507,610	S	7/2005	Bretz et al.
D381,271	S	7/1997	Paoloski	6,923,334	B2	8/2005	Melrose et al.
D387,284	S	12/1997	Briggs et al.	D509,734	S	9/2005	Bretz et al.
D390,471	S	2/1998	Ito	D510,026	S	9/2005	Nelson et al.
5,732,838	A	3/1998	Young	D510,273	S	10/2005	Bretz et al.
5,758,790	A	6/1998	Ewing, Jr.	D510,526	S	10/2005	Bretz et al.
5,785,197	A	7/1998	Slat	D510,706	S	10/2005	Bretz et al.
5,803,290	A	9/1998	Bongiorno	D510,862	S	10/2005	Bretz et al.
D401,856	S	12/1998	Daniels et al.	D511,103	S	11/2005	Bretz et al.
D409,091	S	5/1999	Beaver et al.	D512,308	S	12/2005	Bretz et al.
5,931,323	A	8/1999	Wilkinson et al.	D513,994	S	1/2006	Bretz et al.
D414,417	S	9/1999	Alt	D514,938	S	2/2006	Zhang
D414,699	S	10/1999	Alt	D515,427	S	2/2006	Schuller et al.
D415,028	S	10/1999	Kuzma et al.	D518,711	S	4/2006	Bretz et al.
5,967,378	A	10/1999	Arispe	7,025,219	B2	4/2006	Heisner et al.
5,988,417	A	11/1999	Cheng et al.	D525,530	S	7/2006	Livingston et al.
6,016,932	A	1/2000	Gaydosh et al.	7,118,002	B2	10/2006	Saito et al.
D427,067	S	6/2000	Miller et al.	D533,065	S	12/2006	Brauner et al.
D431,465	S	10/2000	Cheng et al.	7,159,729	B2	1/2007	Sabold et al.
6,164,474	A	12/2000	Cheng et al.	D538,662	S	3/2007	Goetz et al.
D439,166	S	3/2001	Denner et al.	7,198,165	B2	4/2007	Zhang
D439,167	S	3/2001	Lichtman et al.	7,213,719	B2	5/2007	Pedmo et al.
D440,157	S	4/2001	Lichtman et al.	D544,349	S	6/2007	Hyde et al.
D440,158	S	4/2001	Bretz et al.	D548,082	S	8/2007	Kingsley
6,213,326	B1	4/2001	Denner et al.	D551,083	S	9/2007	Schwarz
D441,294	S	5/2001	Lichtman et al.	7,287,658	B1	10/2007	Johnson et al.
D445,689	S	7/2001	McCutchan	D555,492	S	11/2007	Lockman et al.
D447,411	S	9/2001	Lichtman et al.	D555,493	S	11/2007	Lockman et al.
D447,690	S	9/2001	Lichtman et al.	D555,497	S	11/2007	Lavelli
D448,292	S	9/2001	Lichtman et al.	D559,695	S	1/2008	Lesueur
D448,293	S	9/2001	Bretz et al.	D567,659	S	4/2008	Gran et al.
D448,664	S	10/2001	Lichtman et al.	D568,753	S	5/2008	Woolf
D449,539	S	10/2001	Lakatosh et al.	D571,661	S	6/2008	Ulibarri
D450,246	S	11/2001	Heisel et al.	D572,137	S	7/2008	Dimmel et al.
D450,248	S	11/2001	Ogg	D575,158	S	8/2008	Boon
D450,588	S	11/2001	Lane et al.	D578,896	S	10/2008	Herman
D451,026	S	11/2001	Heisel et al.	D579,339	S	10/2008	Shmagin
D454,790	S	3/2002	Crawford	D584,633	S	1/2009	Trollope et al.
6,354,458	B1	3/2002	Policappelli	D585,281	S	1/2009	Trollope et al.
D461,418	S	8/2002	Lichtman et al.	D586,224	S	2/2009	Darr et al.
D462,013	S	8/2002	Iizuka et al.	D591,155	S	4/2009	Trollope et al.
6,472,007	B2	10/2002	Bezek et al.	D591,161	S	4/2009	Trollope et al.
				D595,143	S	6/2009	Hazelton et al.

US D669,787 S

D598,770 S	8/2009	Delfino	2005/0211660 A1	9/2005	Galownia et al.
7,568,588 B2	8/2009	Yourist	2005/0211661 A1	9/2005	Galownia et al.
D609,104 S	2/2010	Ablo	2005/0269284 A1	12/2005	Pedmo et al.
D611,344 S	3/2010	Longaere	2006/0065566 A1	3/2006	Sleih
D614,034 S	4/2010	Braun et al.	2006/0131258 A1	6/2006	Yourist
D617,195 S	6/2010	Williams	2006/0131259 A1	6/2006	Hatcher et al.
D617,204 S *	6/2010	Lauret	2007/0012650 A1	1/2007	Eble
D619,457 S	7/2010	Walsh	2007/0017892 A1	1/2007	Melrose
D619,458 S	7/2010	Walsh	2007/0062907 A1	3/2007	Heisner
D619,459 S	7/2010	Walsh	2007/0090122 A1	4/2007	Zeypang
7,780,025 B2	8/2010	Simpson et al.	2007/0199917 A1	8/2007	Beaver et al.
D623,070 S	9/2010	Jamison et al.	2007/0210028 A1	9/2007	Heisner et al.
D624,422 S	9/2010	Caldwell et al.	2007/0257003 A1	11/2007	Colloud
7,798,349 B2	9/2010	Maczek et al.	2008/0073316 A1	3/2008	Stowitts
D624,824 S	10/2010	Perez et al.	2008/0169266 A1	7/2008	Kamineni
D633,391 S	3/2011	Caldwell et al.	2008/0197105 A1	8/2008	Boukobza
D633,794 S	3/2011	Cresswell et al.	2008/0251492 A1	10/2008	Shi
D635,458 S	4/2011	Braun et al.	2008/0308522 A1	12/2008	Yeager
D643,290 S	8/2011	Braun et al.	2009/0065468 A1	3/2009	Hala et al.
D645,354 S	9/2011	Doerr et al.	2009/0166240 A1	7/2009	Scarola et al.
D660,161 S *	5/2012	Braun et al.	2009/0283495 A1	11/2009	Lane et al.
2001/0037992 A1	11/2001	Tanabe et al.	2009/0294399 A1	12/2009	Pritchett, Jr.
2002/0070193 A1	6/2002	Mere	2010/0004629 A1	1/2010	Dolhun
2002/0153343 A1	10/2002	Tobias et al.	2011/0000869 A1	1/2011	Braun et al.
2002/0158038 A1	10/2002	Heisel et al.			
2003/0116527 A1	6/2003	Beaver et al.			
2003/0209553 A1	11/2003	Horn et al.			
2005/0139572 A1	6/2005	Pedmo et al.			
2005/0184027 A1	8/2005	Floyd et al.			
2005/0189314 A1	9/2005	Carbone			

FOREIGN PATENT DOCUMENTS

JP	2006315693	11/2006
JP	2008007166	1/2008

* cited by examiner

FIG. 1

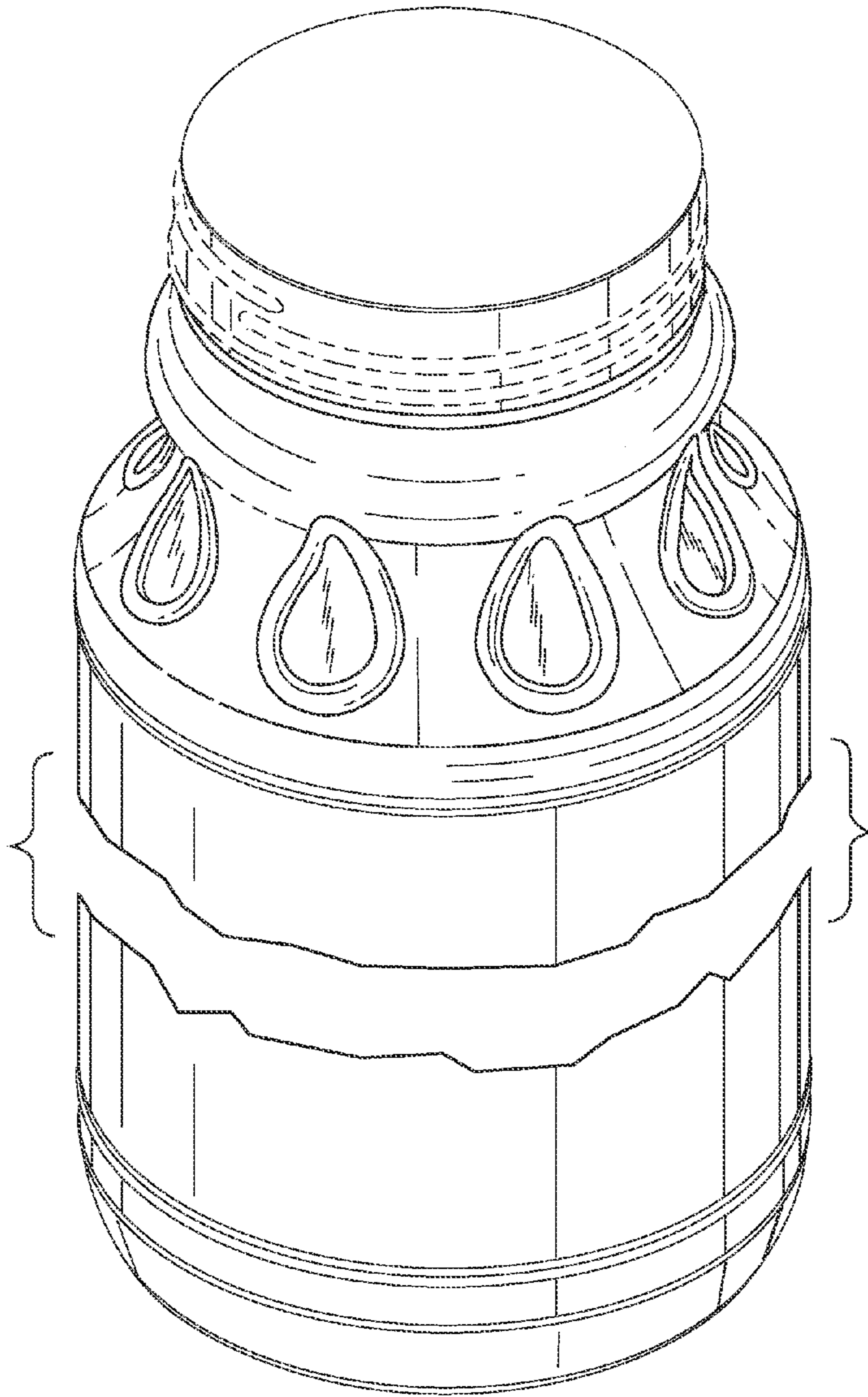


FIG. 2

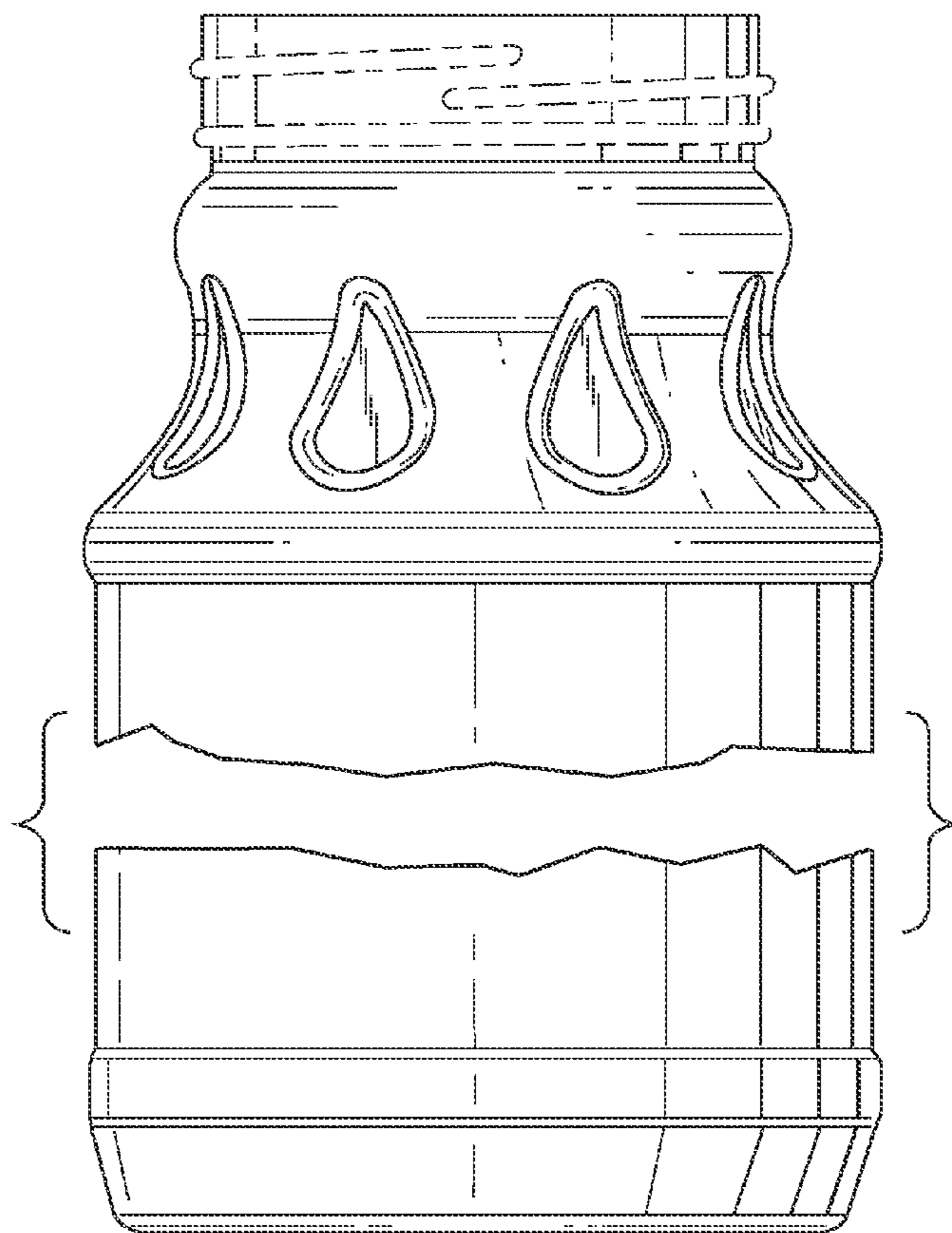


FIG. 3

