

US00D669781S

(12) **United States Design Patent**
Fields

(10) **Patent No.:** **US D669,781 S**
(45) **Date of Patent:** **** Oct. 30, 2012**

(54) **FULL TRANSVERSELY ORIENTED OVAL APERTURE CAN**

(75) Inventor: **Brian Fields**, Lemont, IL (US)
(73) Assignee: **Crown Packaging Technology, Inc.**, Alsip, IL (US)
(**) Term: **14 Years**
(21) Appl. No.: **29/368,324**

(22) Filed: **Aug. 23, 2010**
(51) **LOC (9) Cl.** **09-03**
(52) **U.S. Cl.** **D9/435**
(58) **Field of Classification Search** D8/435, D8/434, 449, 454; D7/387, 396.2, 398, 392.1, D7/608; 220/269-271, 500, 600, 619, 623; 413/31, 6, 8; 426/118; 72/348, 349
See application file for complete search history.

(56) **References Cited**

U.S. PATENT DOCUMENTS

D30,094 S	1/1899	Busch	
D30,338 S	3/1899	Mann	
2,683,579 A	7/1954	Wallace	
3,301,464 A *	1/1967	Amberg	229/125.17
D207,051 S *	2/1967	Bainbridge	D9/447
3,406,866 A	10/1968	Jasper	
3,477,608 A	11/1969	Fraze	
3,485,410 A	12/1969	Boik	
4,002,262 A	1/1977	Khoury	
4,271,778 A	6/1981	Le Bret	
D265,280 S	7/1982	Conti	
D286,508 S	11/1986	Tilden	
4,809,861 A	3/1989	Wilkinson et al.	
5,052,573 A	10/1991	Zysset	

(Continued)

FOREIGN PATENT DOCUMENTS

AU 147710 5/2002

(Continued)

OTHER PUBLICATIONS

U.S. Appl. No. 29/363,498: Notice of Allowance dated Nov. 29, 2010, 6 pages.

(Continued)

Primary Examiner — Cynthia Underwood
(74) *Attorney, Agent, or Firm* — Woodcock Washburn LLP

(57) **CLAIM**

I claim the ornamental design for a full transversely oriented oval aperture can, as shown and described.

DESCRIPTION

This application is related by subject matter to U.S. application Ser. No. 12/797,171 filed Jun. 9, 2010, U.S. application Ser. No. 29/363,492 filed Jun. 10, 2010 and issued on Jul. 12, 2011 as U.S. Design Pat. No. D641,239, U.S. application Ser. No. 29/363,498 filed Jun. 10, 2010 and issued on Jul. 19, 2011 as U.S. Design Pat. No. D641,622, U.S. application Ser. No. 29/363,500 filed Jun. 10, 2010 and issued on Nov. 22, 2011 as U.S. Design Pat. No. D649,049, and U.S. application Ser. No. 29/363,502 filed Jun. 10, 2010 and issued on Oct. 25, 2011 as D647,400. This application is also related by subject matter to U.S. application Ser. No. 29/368,322 filed Aug. 23, 2010 and issued Aug. 23, 2011 as U.S. Design Pat. No. D643,718, entitled "Full Offset-Circular Aperture Can" and U.S. application Ser. No. 29/368,323 filed on Aug. 23, 2010 and issued Jul. 19, 2011 as U.S. Design Pat. No. D641,623, entitled "Full Longitudinally Oriented Oval Aperture Can."

FIG. 1 is a top perspective view of an full transversely oriented oval aperture can according to our new design;

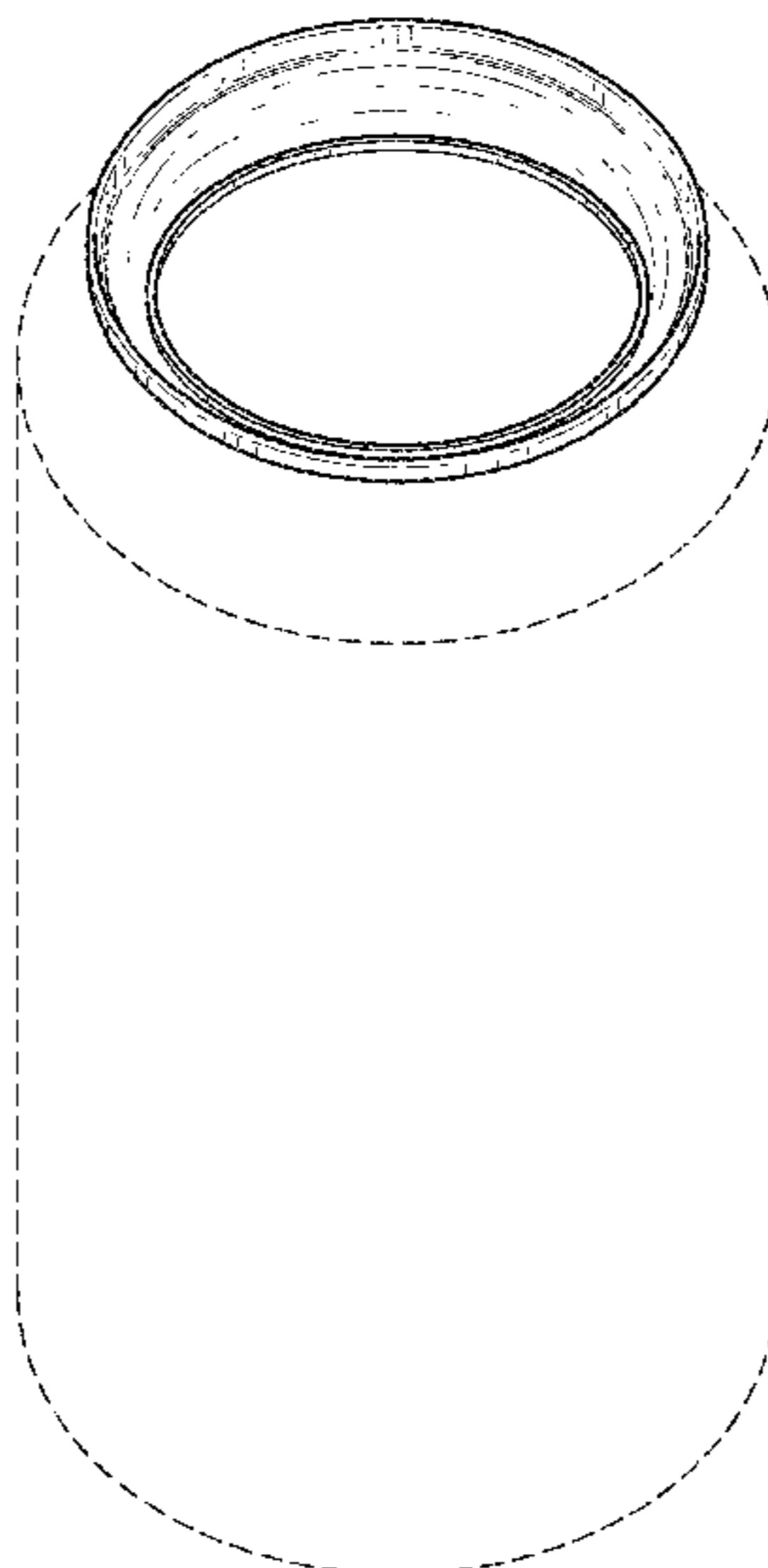
FIG. 2 is a side view thereof, with all sides being the same;

FIG. 3 a top plan view thereof; and,

FIG. 4 is bottom plan view thereof.

The portions of the drawings appearing in broken line are for environment only and do not form a part of the claimed design.

1 Claim, 2 Drawing Sheets



US D669,781 S

Page 2

U.S. PATENT DOCUMENTS

D328,864	S	8/1992	Grunzweig	
5,232,114	A	8/1993	Zysset	
5,356,256	A	10/1994	Turner et al.	
D356,456	S	3/1995	Henry	
D358,988	S	6/1995	Nolte	
5,582,319	A	12/1996	Heyes et al.	
D379,588	S	6/1997	Pledger et al.	
5,645,190	A	7/1997	Goldberg	
5,711,448	A	1/1998	Clarke, III	
5,860,553	A	1/1999	Shubert	
D406,236	S	3/1999	Brifcani et al.	
5,911,551	A	6/1999	Maran	
5,934,498	A	8/1999	Jordan	
5,957,647	A	9/1999	Hinton	
5,971,259	A	10/1999	Bacon	
6,065,634	A	5/2000	Brifcani et al.	
6,089,072	A	7/2000	Fields	
D431,413	S	10/2000	Schaper et al.	
D480,304	S	10/2003	Stodd	
D488,376	S *	4/2004	Chung	D9/434
D489,611	S *	5/2004	Monsanty	D9/435
6,848,875	B2	2/2005	Brifcani et al.	
6,915,553	B2	7/2005	Turner et al.	
D515,353	S	2/2006	Martin	
D525,127	S	7/2006	Cogley et al.	
7,100,789	B2	9/2006	Nguyen et al.	
D558,825	S *	1/2008	Masters	D19/4
D559,680	S	1/2008	Jacobson et al.	
7,341,163	B2	3/2008	Stodd	
D567,657	S	4/2008	Hall et al.	
D570,213	S	6/2008	Newman	
D588,936	S *	3/2009	Ioannides et al.	D9/776
7,500,376	B2	3/2009	Bathurst et al.	
7,506,779	B2	3/2009	Jentzsch et al.	
D591,149	S	4/2009	Bonner et al.	
7,673,768	B2	3/2010	Reed et al.	
7,743,635	B2	6/2010	Jentzsch et al.	
7,922,025	B2	4/2011	Heinicke	
D641,239	S *	7/2011	Ramsey et al.	D9/435
D641,622	S *	7/2011	Fields	D9/435
D641,623	S *	7/2011	Fields	D9/435
D643,718	S *	8/2011	Fields	D9/435
D647,400	S *	10/2011	Fields	D9/435
D649,049	S *	11/2011	Fields	D9/435
2004/0026433	A1	2/2004	Brifcani et al.	
2005/0284869	A1	12/2005	Mills	

2007/0029324	A1	2/2007	Watson et al.
2008/0067171	A1	3/2008	Heinicke
2010/0059530	A1	3/2010	Niec et al.

FOREIGN PATENT DOCUMENTS

CH	527102	8/1972
EP	0737624	10/1996
EP	1577222	9/2005
EP	1813540	8/2007
EP	2070826	6/2009
EP	09169559.3	9/2009
GB	1358427	7/1974
GB	1453131	10/1976
WO	WO 2010/020375	2/2010

OTHER PUBLICATIONS

U.S. Appl. No. 29/363,492: Notice of Allowance dated Nov. 30, 2010, 7 pages.

U.S. Appl. No. 29/363,500: Notice of Allowance dated Nov. 30, 2010, 6 pages.

Ball Packaging Europe, "Full aperture tear-off end", http://www.ball-europe.com/382_349_ENG_PHP.html, accessed Dec. 2, 2010, 1 page.

U.S. Appl. No. 29/368,323: Notice of Allowance dated Dec. 3, 2010, 6 pages.

Opinions on Corporate and Brand Identity Work, "Brand New: The Real Thing. Really.", By JonSel, http://www.underconsideration.com/brandnew/archives/the_real_thing.php, 38 pages, Access date Dec. 15, 2011.

Fanta Redesigns Their Visual Identity, @blogdovborges dated Sep. 30, 2008, <http://vborges.net/vblog/2008/09/30/fanta-redesenha-sua-identidade-visual>, 13 pages, Access date Dec. 15, 2011.

Packaging Creative Treatment, <http://creativetreatment.wordpress.com/category/packaging/page/3/>, 12 pages, Access date Dec. 15, 2011.

Colombian Design Application No. 10-155603, Rejection Resolution No. 71192, Issued on Dec. 15, 2011, 7 pages.

Colombian Design Application No. 10-155603, Rejection Resolution No. 71192, Issued on Dec. 15, 2011, 3 pages (English Translation).

"Nuts About Cans!", Rexam PLC, Beverage Packaging: Product News, Apr. 7, 2005, 2 pages.

* cited by examiner

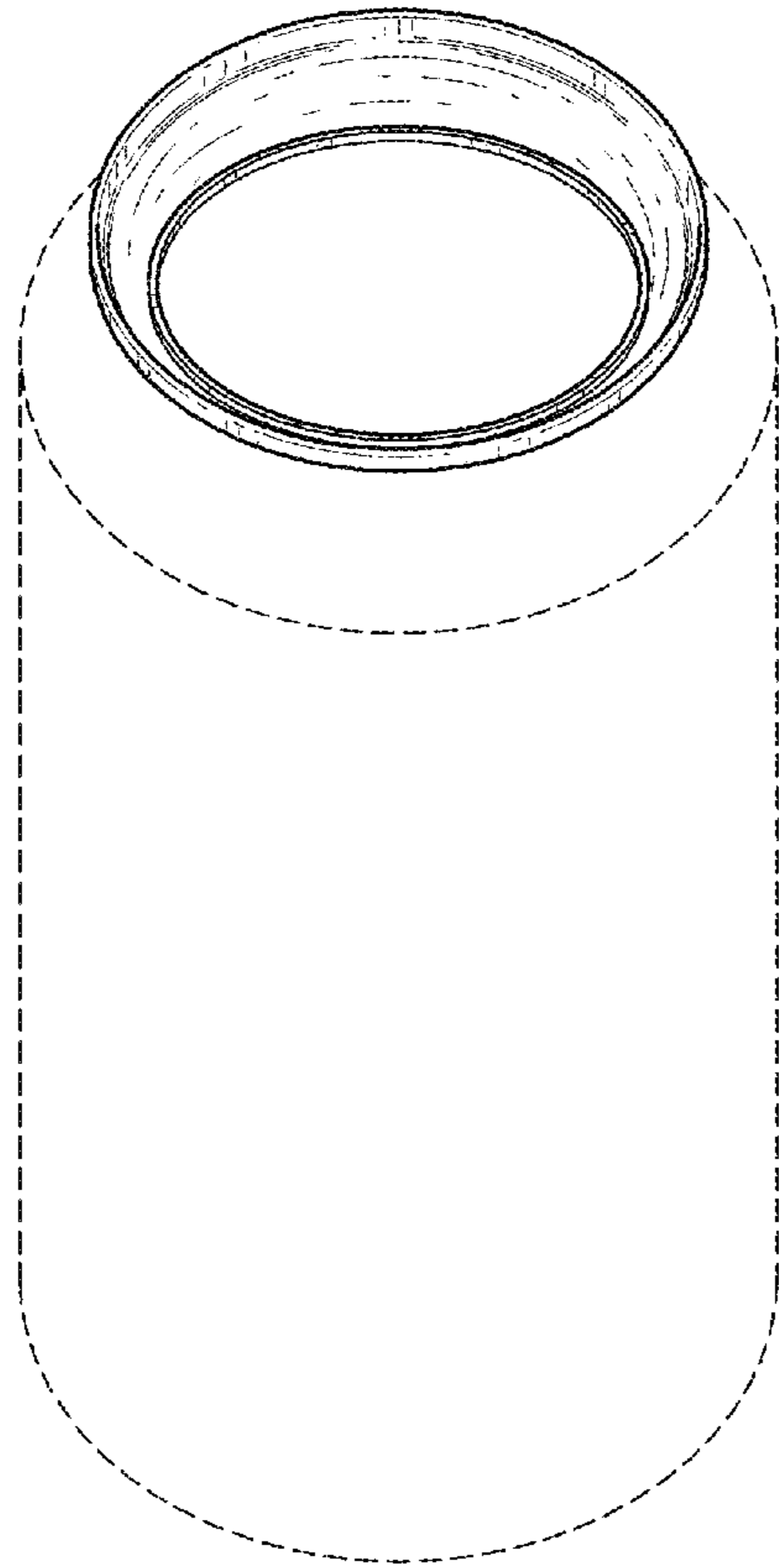


FIG. 1

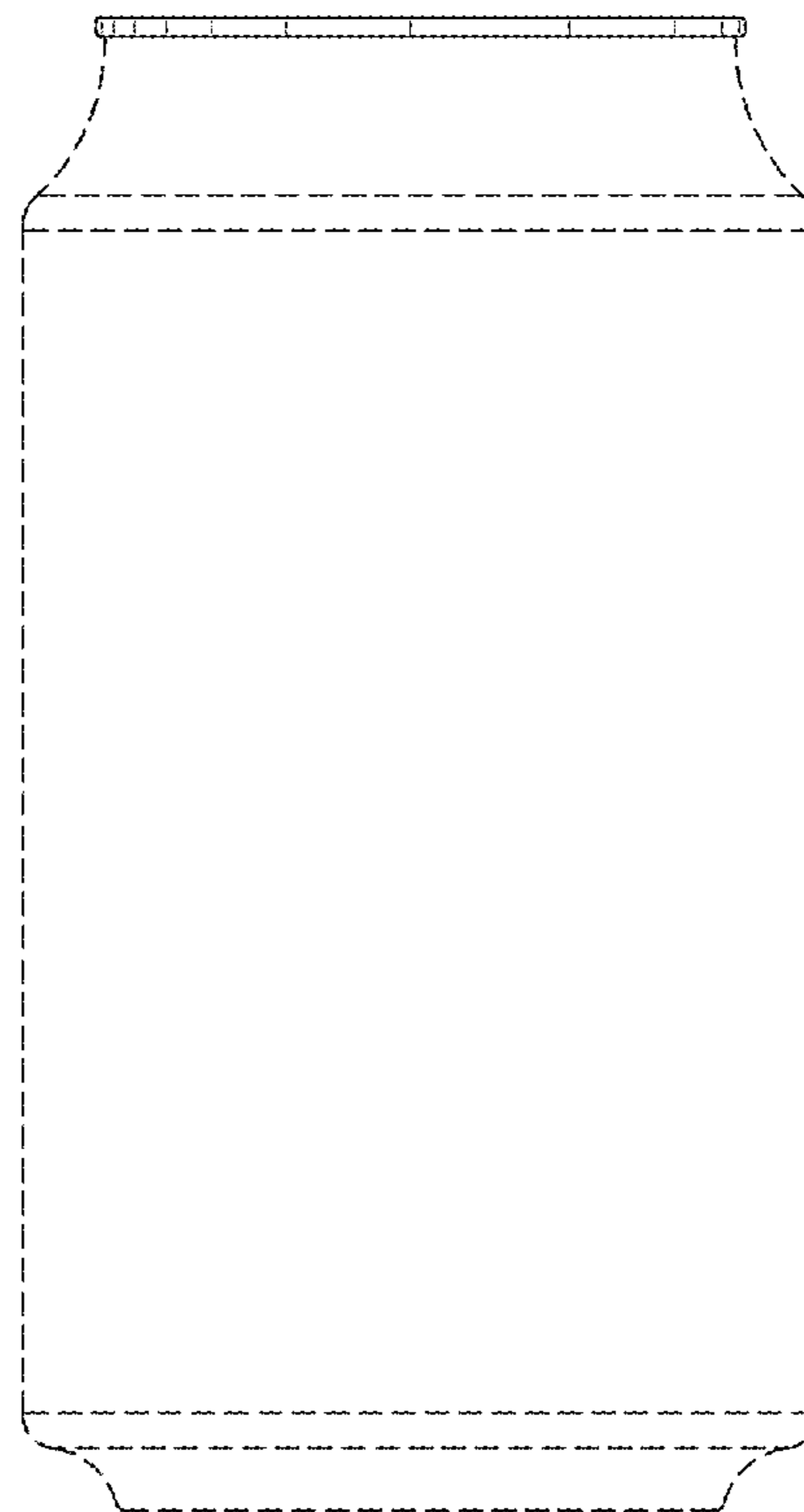


FIG. 2

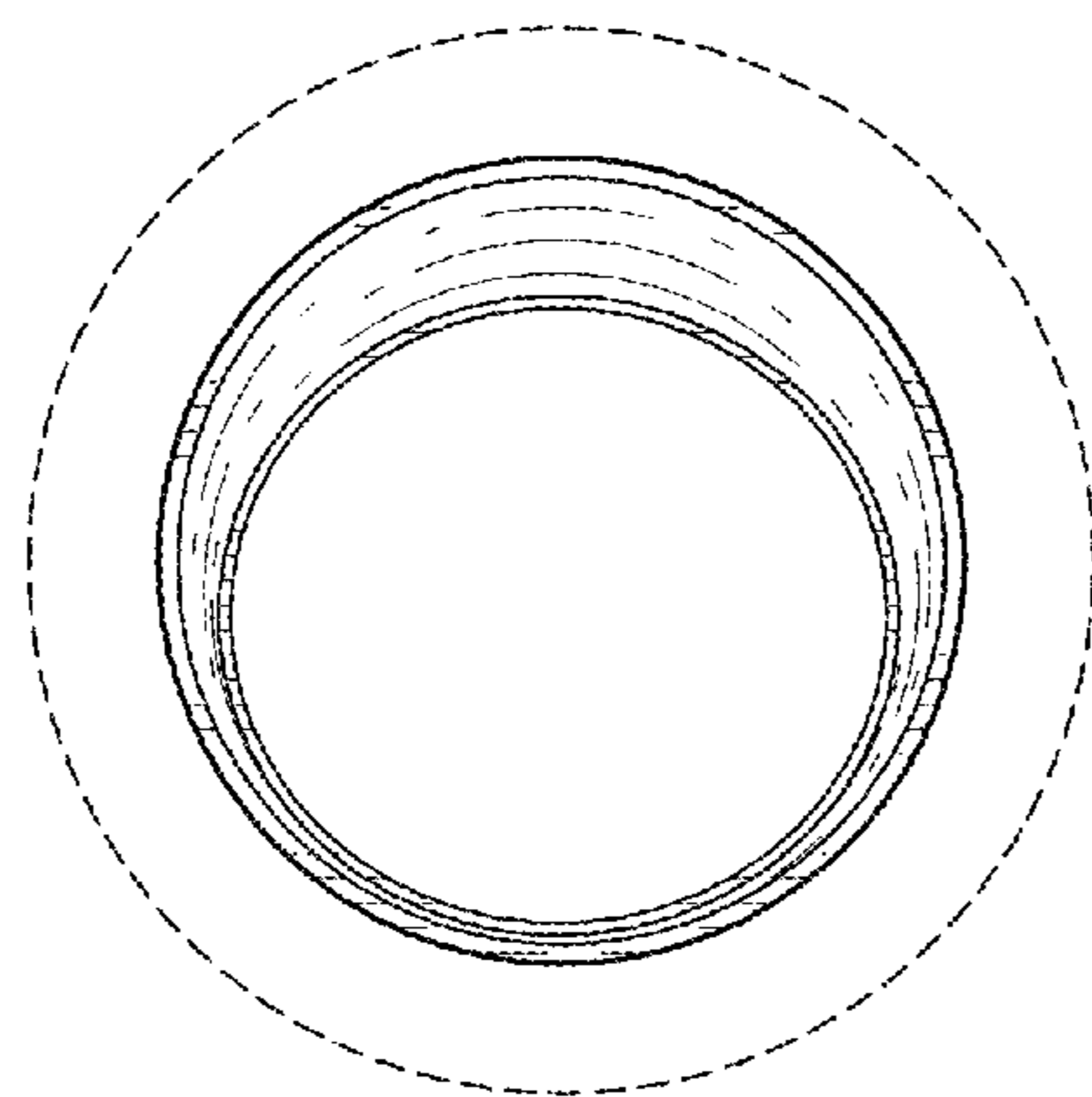


FIG. 3

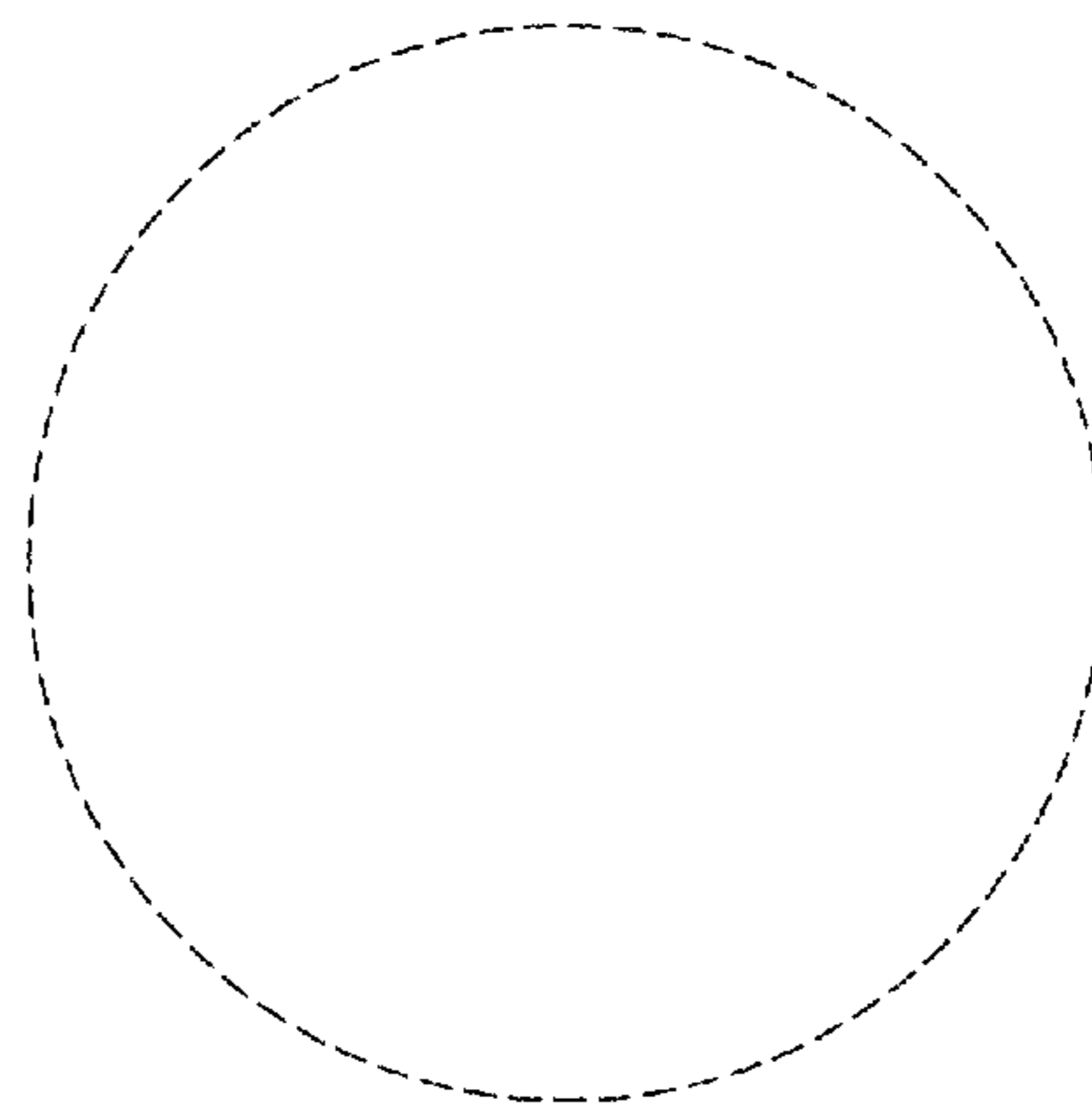


FIG. 4