



US00D669776S

(12) **United States Design Patent**  
**Traldi**

(10) **Patent No.:** **US D669,776 S**

(45) **Date of Patent:** **\*\* Oct. 30, 2012**

(54) **PACKAGE**

(75) Inventor: **Ubaldo Traldi**, Milan (IT)

(73) Assignee: **Perfetti van Melle S.p.A.**, Milan (IT)

(\*\*) Term: **14 Years**

(21) Appl. No.: **29/422,543**

(22) Filed: **May 22, 2012**

**Related U.S. Application Data**

(62) Division of application No. 29/388,292, filed on Mar. 28, 2011.

(51) **LOC (9) Cl.** ..... **09-03**

(52) **U.S. Cl.** ..... **D9/421**

(58) **Field of Classification Search** ..... D9/430-433,  
D9/414, 416, 418, 420-423; D3/272; 206/278,  
206/297, 299, 457, 770, 737, 822; 229/100,  
229/101, 101.3, 106, 108, 108.1, 116.1, 116.3,  
229/116.5, 121, 122, 201, 213, 221, 222,  
229/227, 922, 939, 942, 87.08, 101.2, 193,  
229/195, 197

See application file for complete search history.

(56) **References Cited**

**U.S. PATENT DOCUMENTS**

183,446 A	10/1876	Pearl
425,188 A	4/1890	Riedell
437,042 A	9/1890	Peck
732,844 A	7/1903	Gerbereux
1,515,901 A	11/1924	Helmquest
1,589,118 A	6/1926	Cowen
1,668,572 A	5/1928	Parmele
1,755,375 A	4/1930	Tanner
2,074,451 A	3/1937	Berberian
D110,742 S	8/1938	Wolf

2,158,971 A 5/1939 Stratton

2,192,472 A 3/1940 Huston

2,192,473 A 3/1940 Huston

(Continued)

**FOREIGN PATENT DOCUMENTS**

EM 000720610-0001 A1 6/2007

(Continued)

*Primary Examiner* — Thomas Johannes

(74) *Attorney, Agent, or Firm* — Jacobson Holman PLLC

(57) **CLAIM**

The ornamental design for a package, as shown and described.

**DESCRIPTION**

FIG. 1 is a perspective view of a package showing my new design, in which the package is open and the cover flap is closed.

FIG. 2 is a perspective view thereof, in which the package is open and the cover flap is open.

FIG. 3 is a plan view of the inside thereof, in which the package is open and the cover flap is open.

FIG. 4 is a top elevational plan view thereof, in which the package is open and the cover flap is open.

FIG. 5 is a right side elevational plan view thereof, in which the package is open and the cover flap is open.

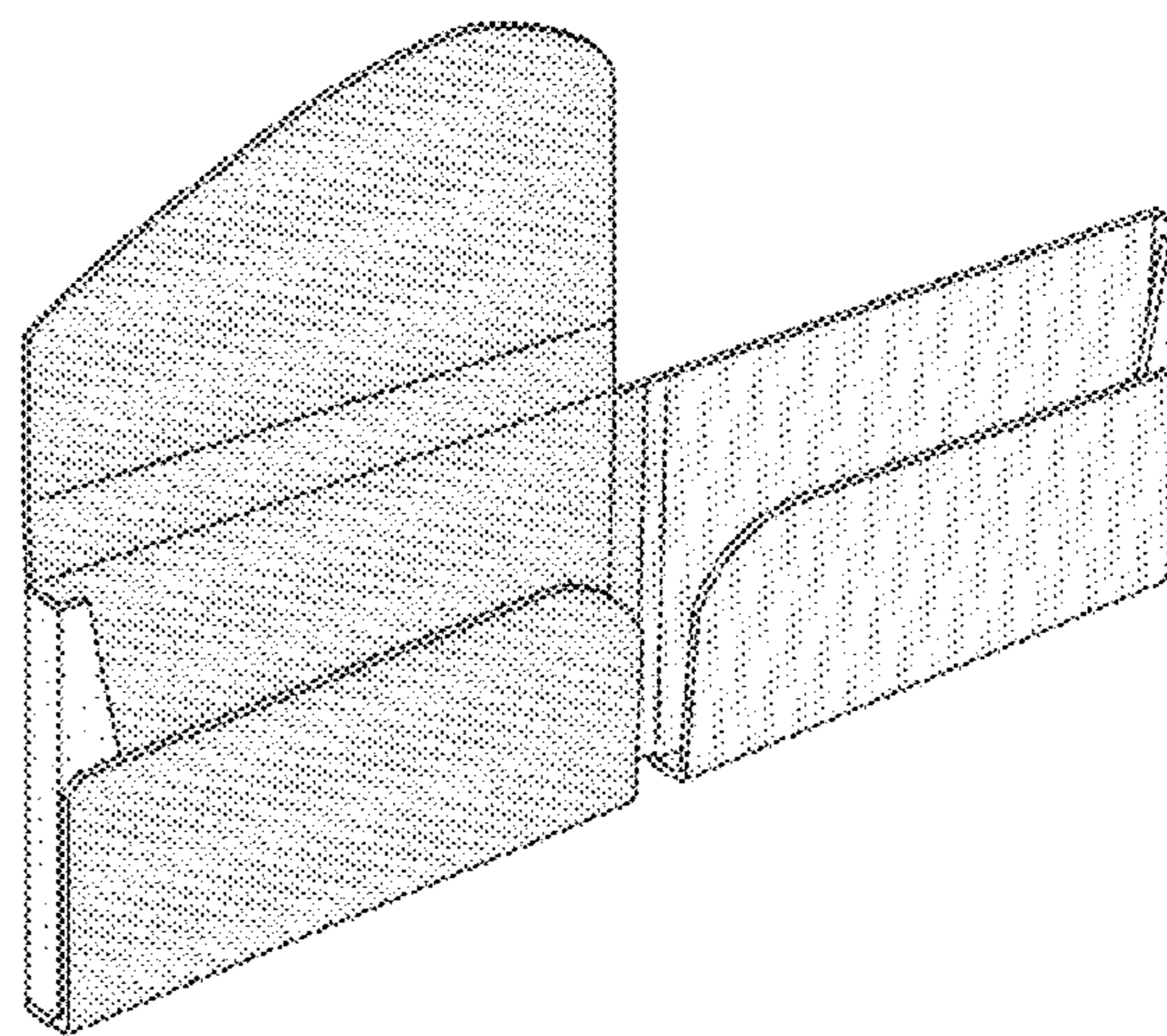
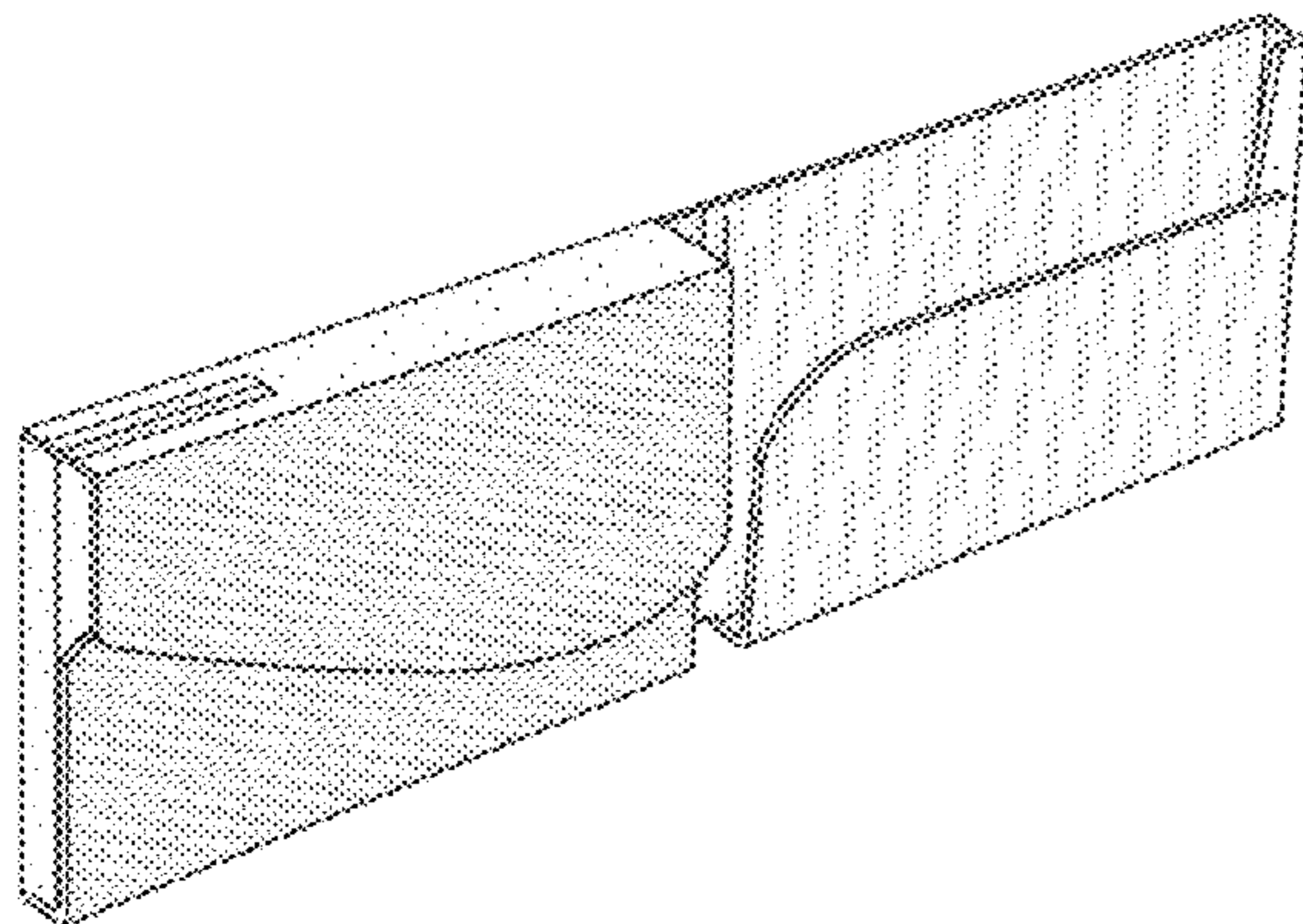
FIG. 6 is a plan view of the outside thereof, in which the package is open and the cover flap is open.

FIG. 7 is a bottom elevational plan view thereof, in which the package is open and the cover flap is open; and,

FIG. 8 is a left side elevational plan view thereof, in which the package is open and the cover flap is open.

The surface stippling in FIGS. 1-8 represents a contrast of appearance.

**1 Claim, 3 Drawing Sheets**



# US D669,776 S

Page 2

## U.S. PATENT DOCUMENTS

3,315,718 A 4/1967 Berman  
3,392,903 A 7/1968 Morgan, Jr.  
D250,748 S 1/1979 Leger  
4,294,353 A 10/1981 Focke et al.  
D264,602 S 5/1982 Plutsky  
4,334,611 A 6/1982 Watson et al.  
D265,889 S 8/1982 Lawrence et al.  
D327,004 S 6/1992 Nadel  
5,226,532 A 7/1993 Davidson et al.  
5,344,008 A 9/1994 De Blasio et al.  
D387,976 S 12/1997 Mori  
D388,951 S 1/1998 Mori  
5,871,142 A 2/1999 Josephson  
D445,332 S 7/2001 Breiding et al.  
D454,303 S 3/2002 Sipinen  
D465,416 S 11/2002 DZwill et al.  
D479,464 S 9/2003 Kopecky  
6,640,967 B2 11/2003 Mathias et al.  
D484,046 S 12/2003 Kopecky  
D489,255 S 5/2004 Kratzert et al.  
D492,814 S 7/2004 Bray et al.  
D503,014 S 3/2005 Bray et al.  
D503,087 S 3/2005 DZwill et al.  
D510,813 S 10/2005 Gilman  
D512,304 S 12/2005 Aldridge  
D519,386 S 4/2006 Aldridge  
7,032,754 B2 4/2006 Kopecky

D520,182 S 5/2006 Bray et al.  
7,159,717 B2 1/2007 Aldridge et al.  
D540,668 S 4/2007 Aldridge  
7,325,686 B2 2/2008 Aldridge  
7,347,033 B2 3/2008 Gamberini et al.  
7,415,812 B2 8/2008 Bray et al.  
D582,268 S 12/2008 Zanaletti  
D590,249 S 4/2009 Yanchev  
D594,323 S 6/2009 Friedman et al.  
7,569,008 B2 8/2009 Aldridge  
7,686,165 B2 3/2010 Aldridge  
D619,454 S 7/2010 Fluegel et al.  
D623,055 S 9/2010 Sano  
D623,939 S 9/2010 Tearle  
D624,401 S 9/2010 Friedman et al.  
D644,923 S 9/2011 Belias et al.  
D645,735 S 9/2011 Clark et al.  
D652,294 S 1/2012 Seneca et al.  
2004/0178252 A1 9/2004 Stone et al.  
2006/0027483 A1 2/2006 Aldridge  
2007/0141199 A1 6/2007 Ishidawa et al.  
2008/0047852 A1 2/2008 Ghini et al.  
2008/0220120 A1 9/2008 Washington  
2008/0283427 A1 11/2008 Polloni et al.

## FOREIGN PATENT DOCUMENTS

WO 8808602 A1 11/1988

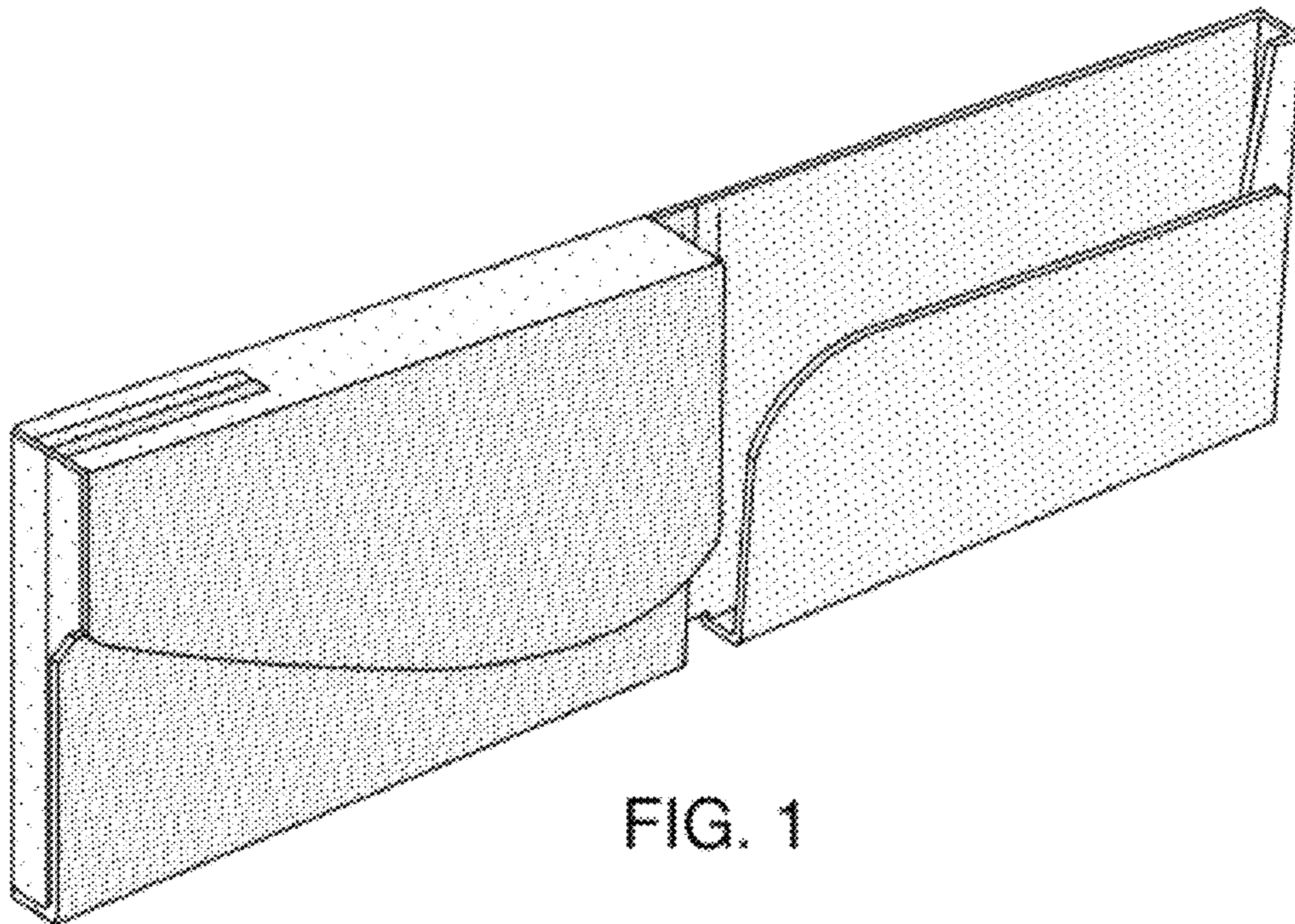


FIG. 1

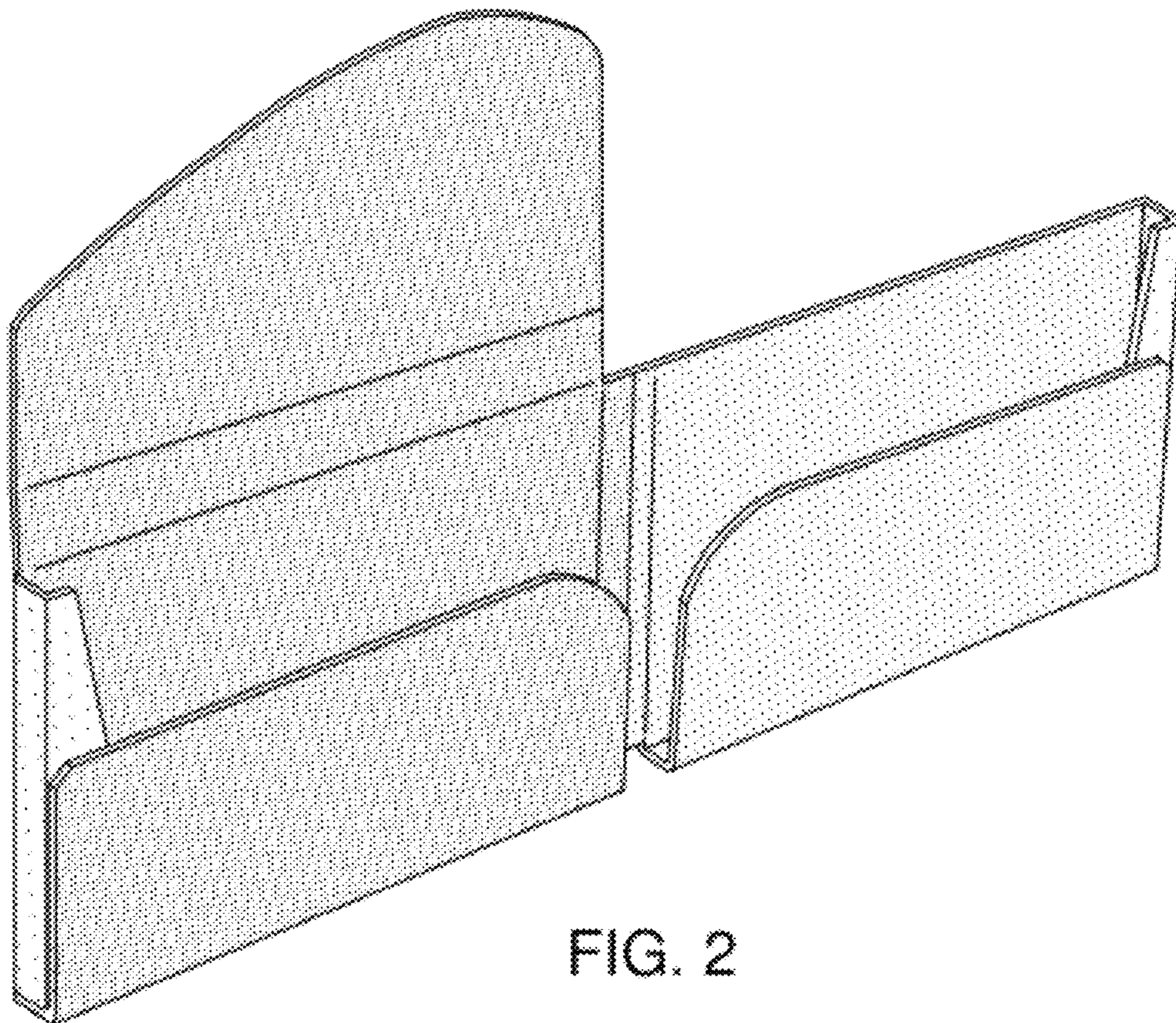


FIG. 2

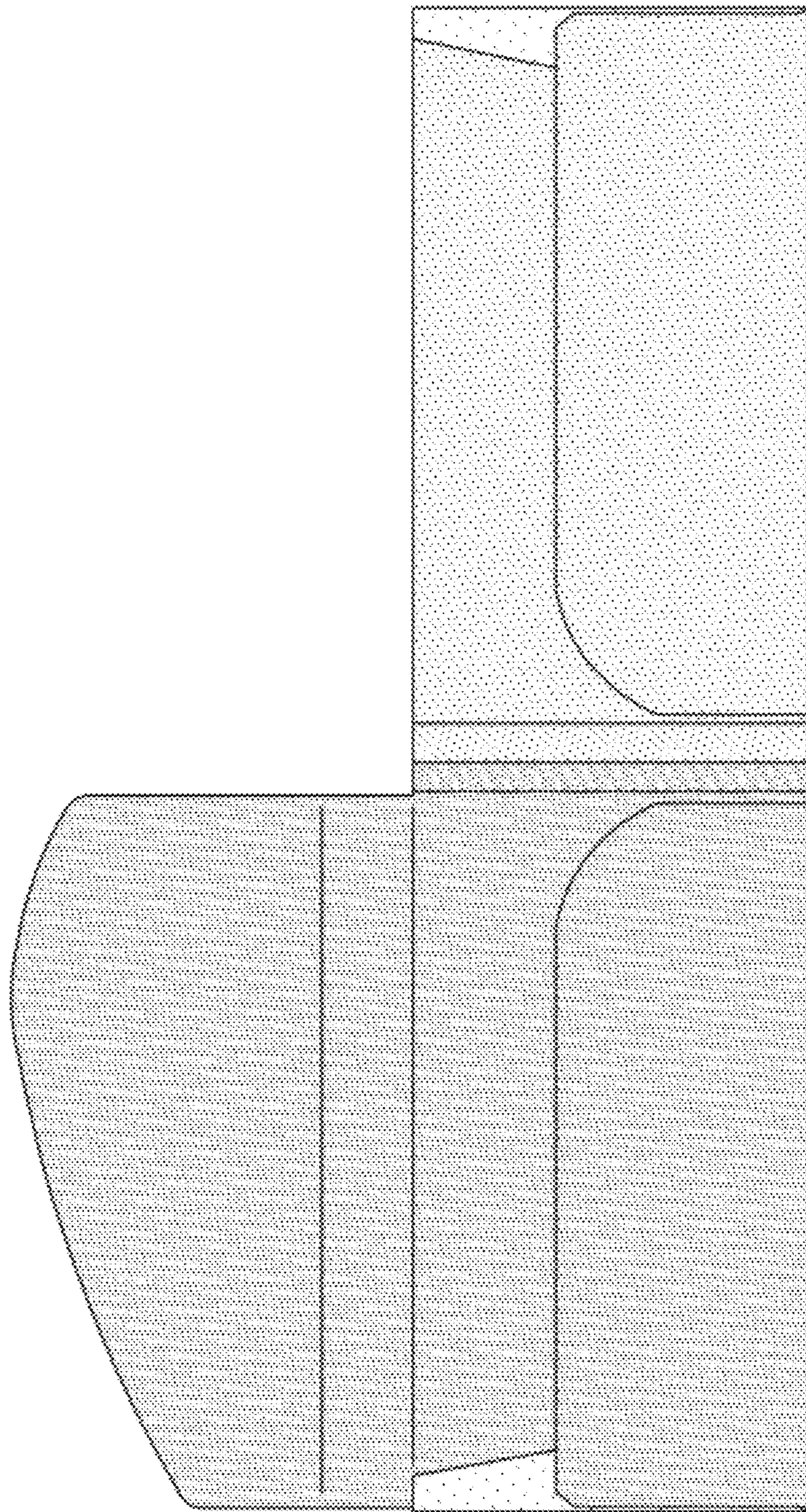


FIG. 3

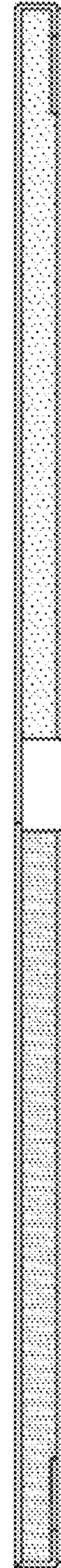


FIG. 4



FIG. 5

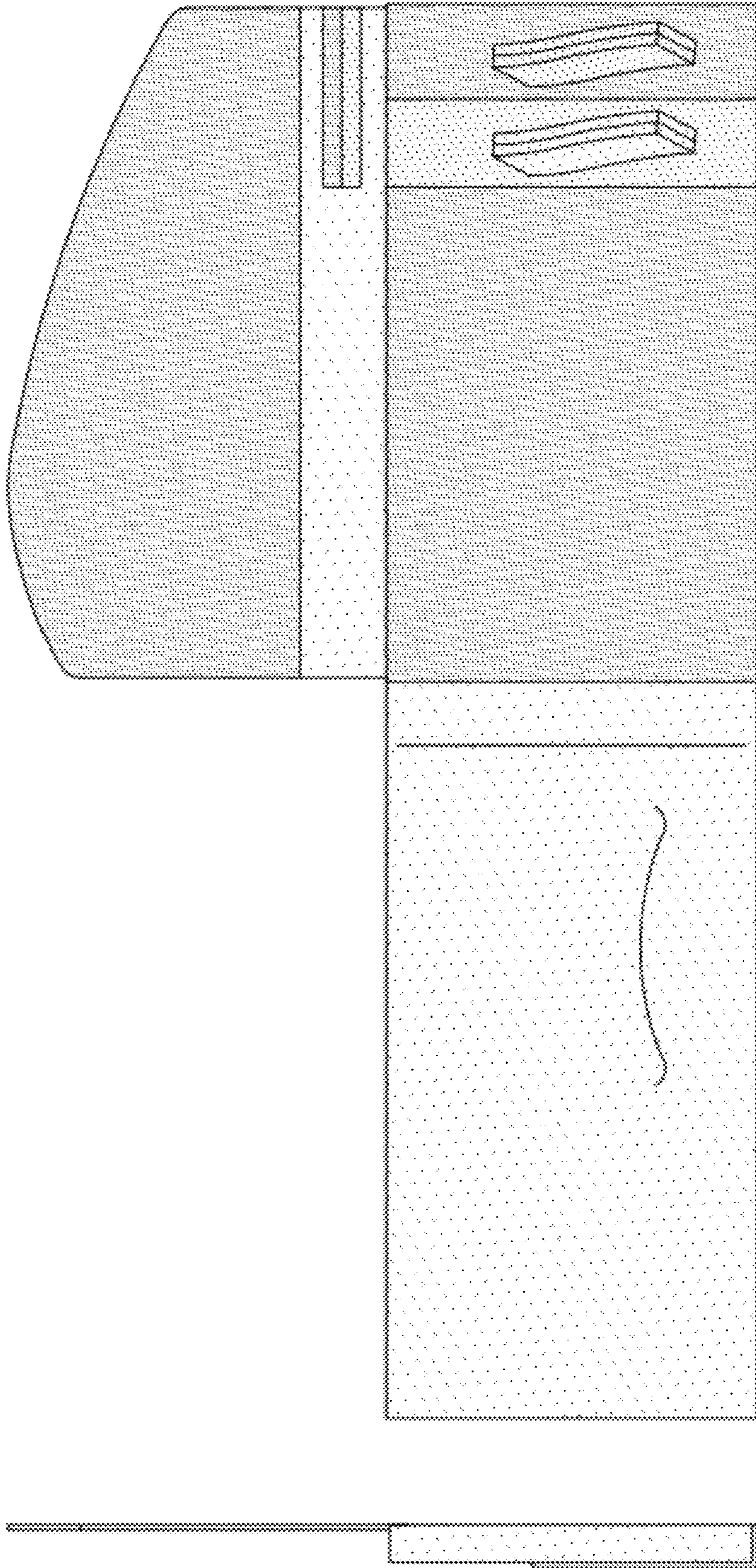


FIG. 6



FIG. 7

FIG. 8