

US00D669774S

(12) **United States Design Patent**
Yamaguchi

(10) **Patent No.:** **US D669,774 S**

(45) **Date of Patent:** **** Oct. 30, 2012**

(54) **PACKAGE**

(75) Inventor: **Shinji Yamaguchi**, Yokohamasi (JP)

(73) Assignee: **JVC Kenwood Corporation**,
Yokohama-shi, Kanagawa (JP)

(**) Term: **14 Years**

(21) Appl. No.: **29/402,335**

(22) Filed: **Sep. 22, 2011**

(30) **Foreign Application Priority Data**

Apr. 20, 2011 (JP) 2011-009136

(51) **LOC (9) Cl.** **09-03**

(52) **U.S. Cl.** **D9/418; D9/424**

(58) **Field of Classification Search** D9/414,
D9/417, 418, 424, 735; D28/85, 86, 87,
D28/88, 89, 90; 215/381-385; 206/528;
229/101.2, 104, 110, 115, 152, 210

See application file for complete search history.

(56) **References Cited**

U.S. PATENT DOCUMENTS

D553,974 S * 10/2007 Croft et al. D9/418
D561,581 S * 2/2008 Croft et al. D9/418
D562,127 S * 2/2008 Croft et al. D9/418
D566,542 S * 4/2008 Gedanke et al. D9/418

D595,126 S * 6/2009 Marcinkowski D9/418
D609,561 S * 2/2010 Baker et al. D9/415
D629,680 S * 12/2010 Sondors D9/418
D637,904 S * 5/2011 Anderson et al. D9/430
D658,494 S * 5/2012 Raimer et al. D9/431
D658,979 S * 5/2012 Gordon et al. D9/418

* cited by examiner

Primary Examiner — Thomas Johannes

(74) *Attorney, Agent, or Firm* — Nath, Goldberg & Meyer;
Jerald L. Meyer; Robert T. Burns

(57) **CLAIM**

The ornamental design for a package, as shown and described.

DESCRIPTION

FIG. 1 is a perspective view of a package showing my new design wherein the surface shading is intended to show that whole portion of the article is transparent;
FIG. 2 is a front view thereof;
FIG. 3 is a rear view thereof,
FIG. 4 is a left side view thereof;
FIG. 5 is a right side view thereof;
FIG. 6 is a top plan view thereof; and,
FIG. 7 is a bottom plan view thereof.

The broken lines showing on the drawing disclosure show unclaimed subject matter only and form no part of the claimed design.

1 Claim, 4 Drawing Sheets

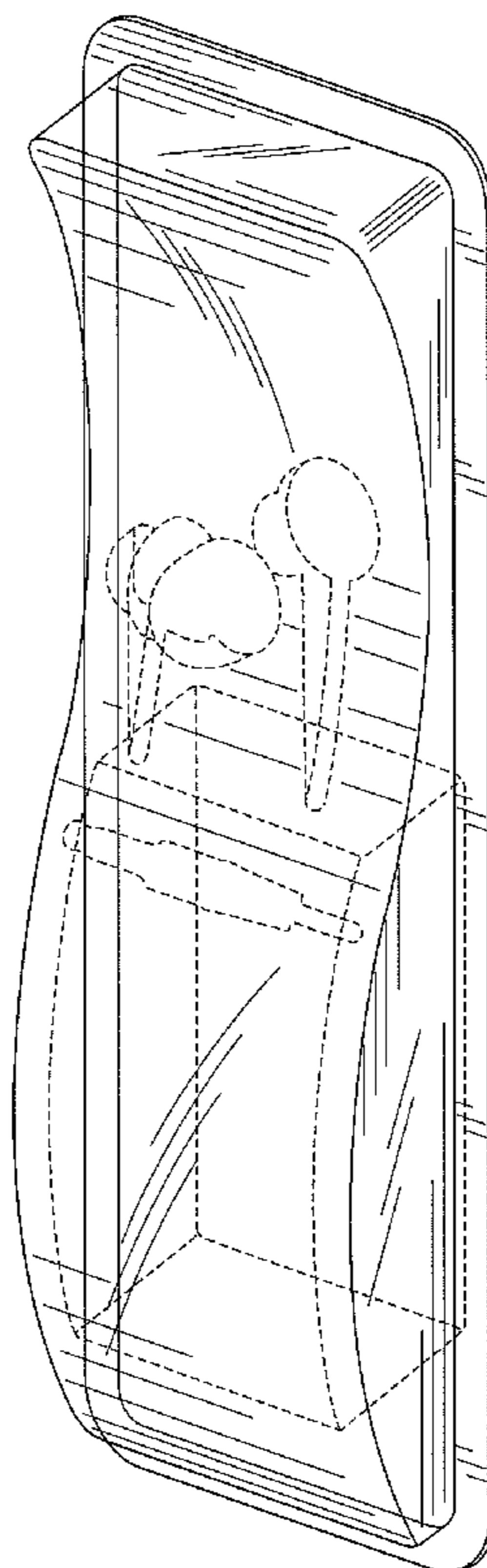


Fig.1

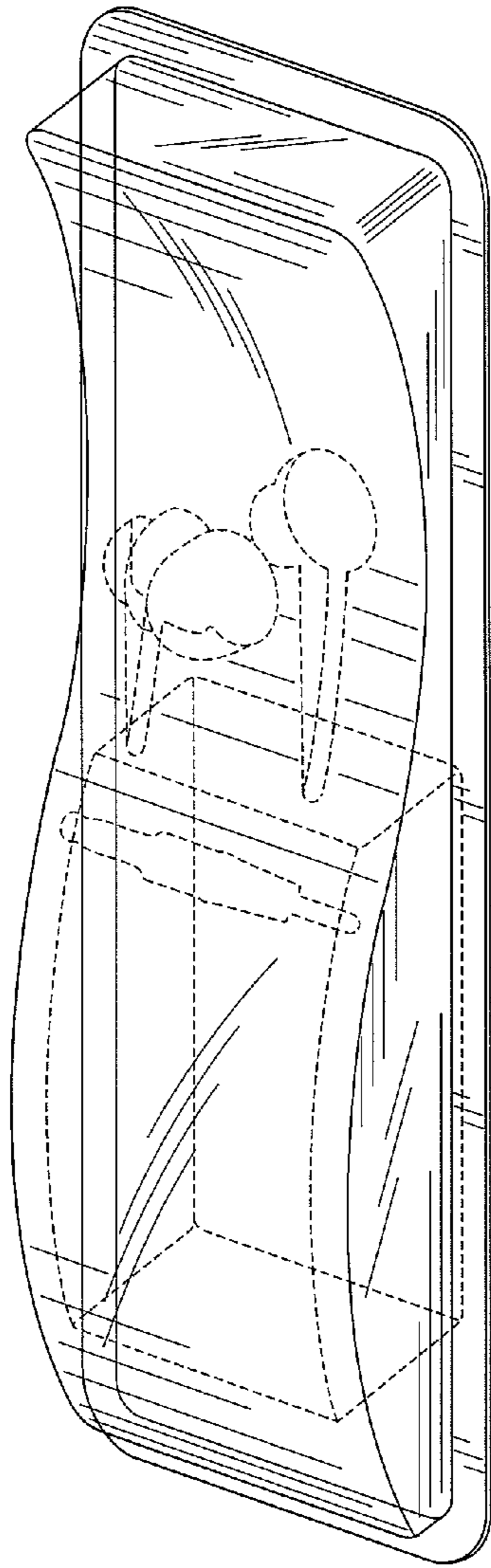


Fig.2

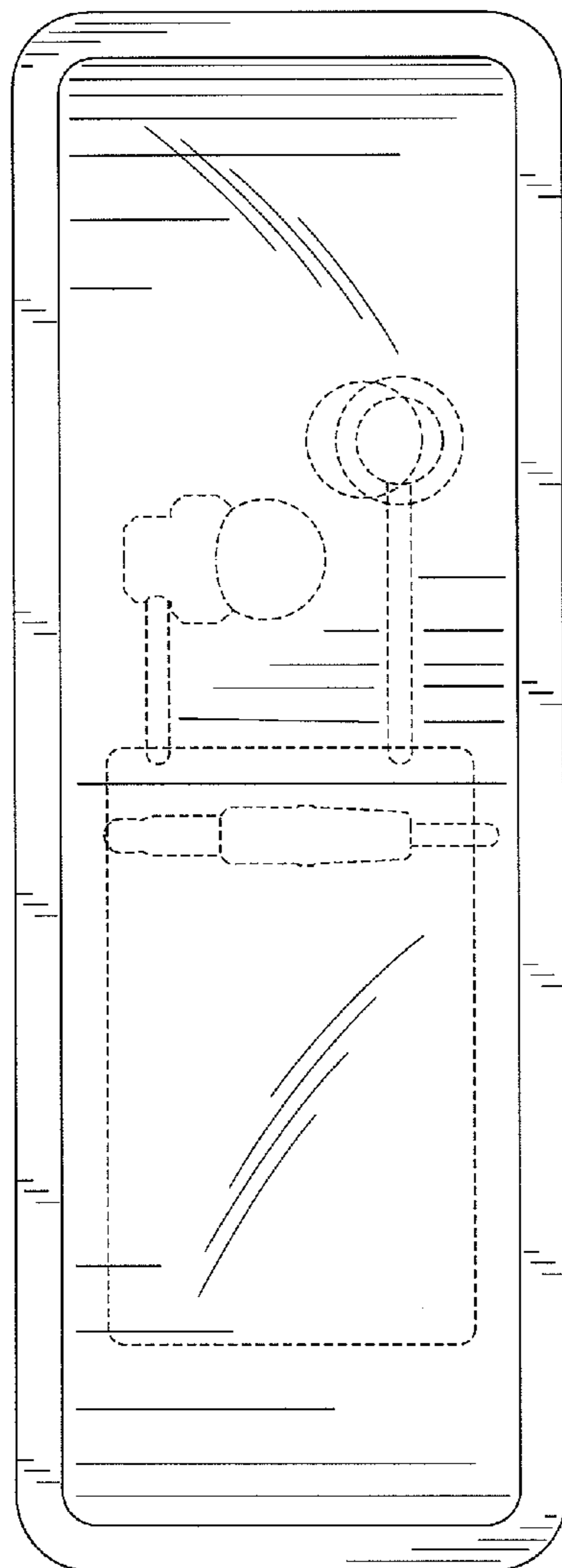


Fig.3

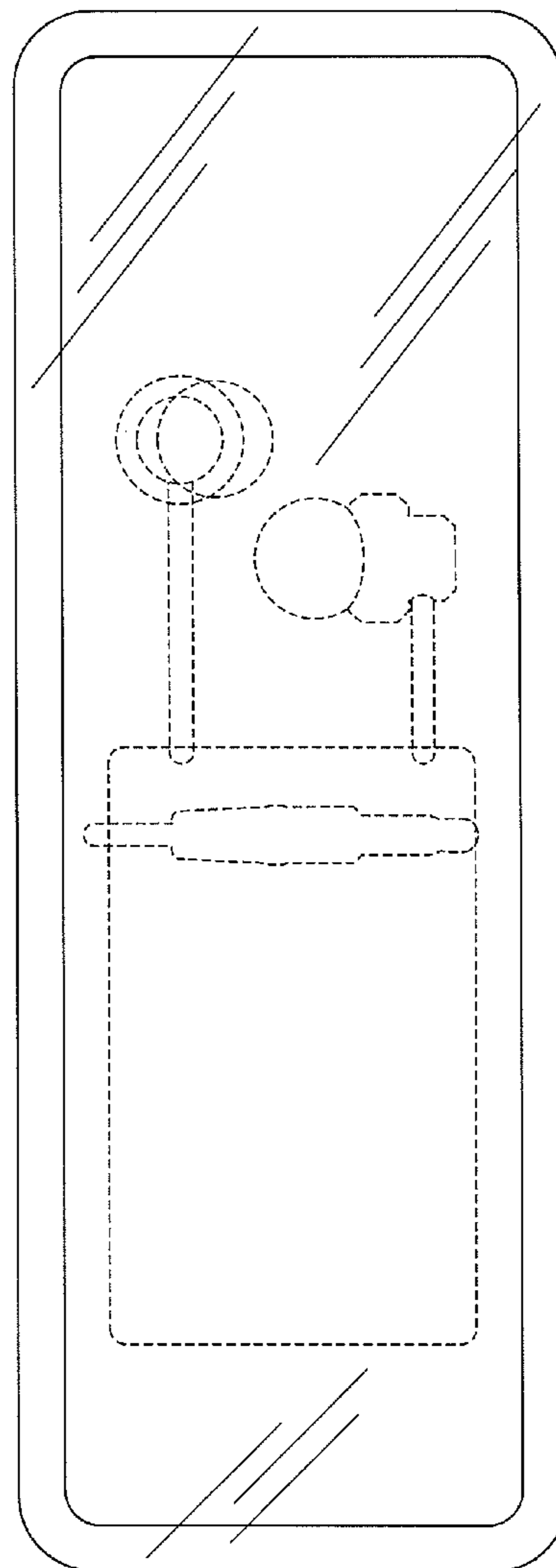


Fig.4

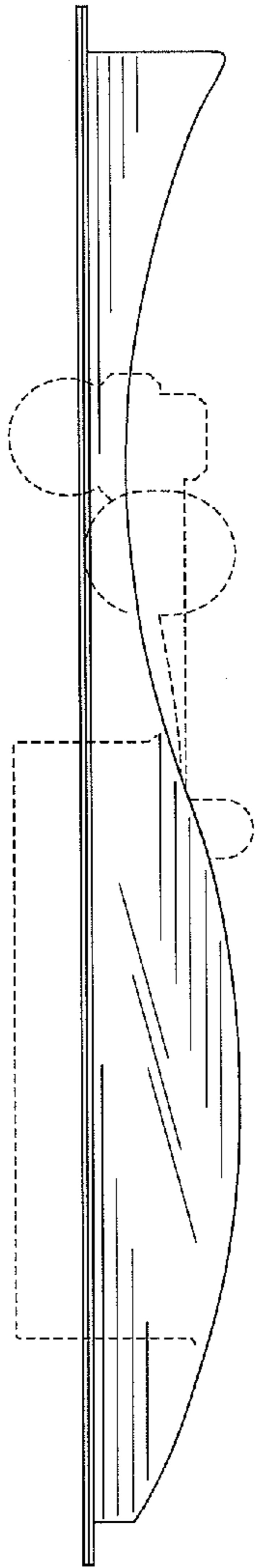


Fig.5

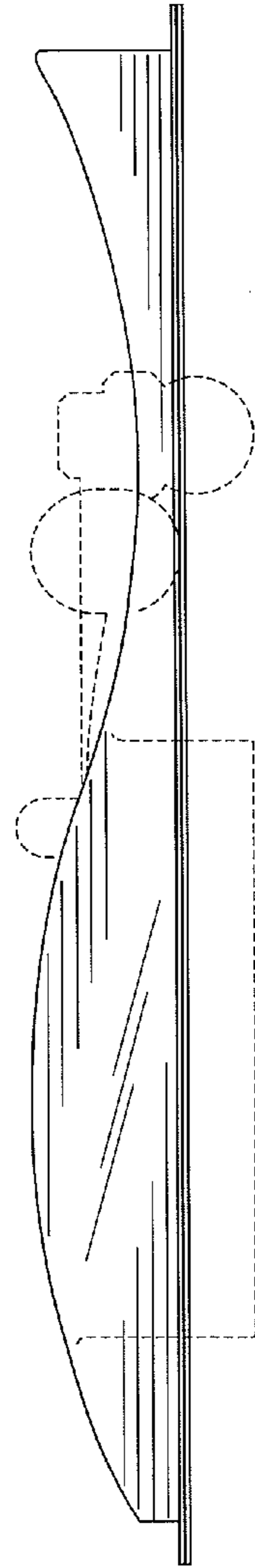


Fig.6

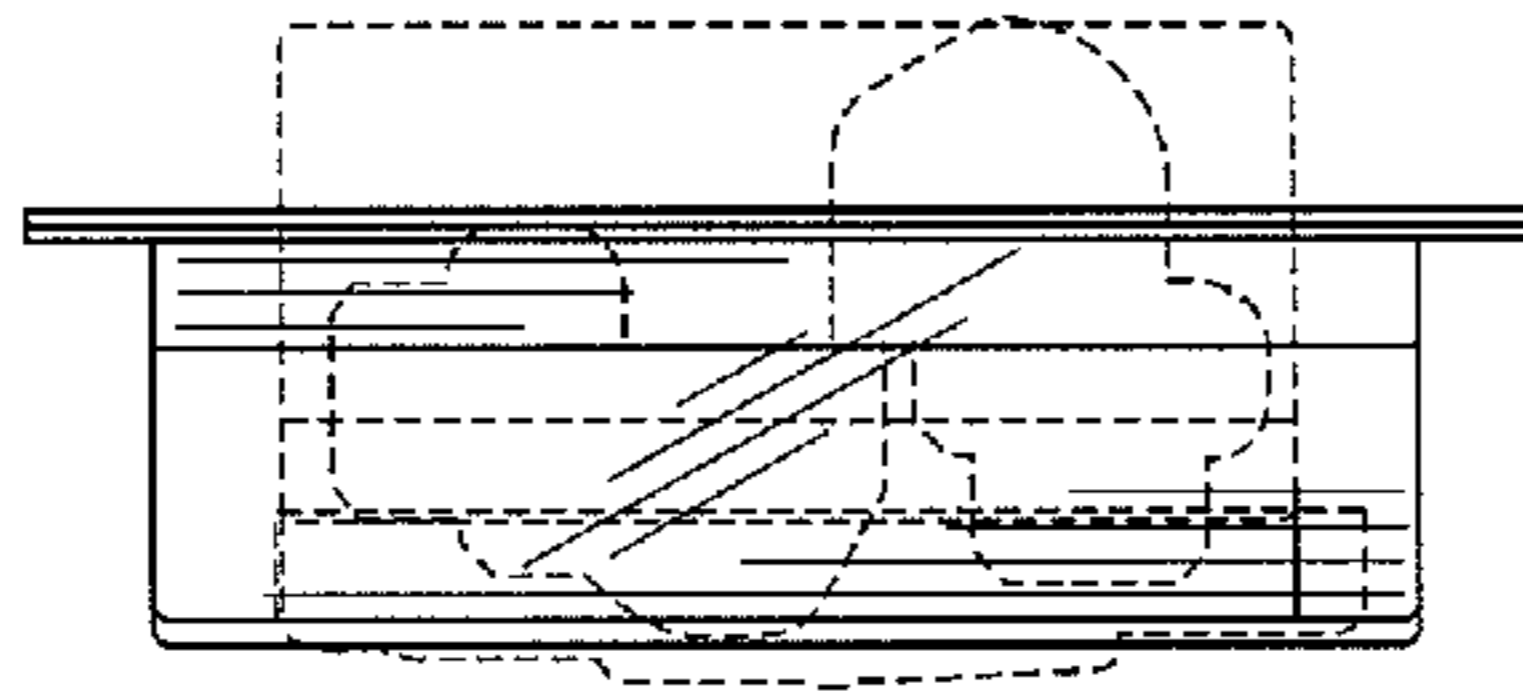


Fig.7

