

US00D669773S

(12) **United States Design Patent**
Colasse

(10) **Patent No.:** **US D669,773 S**

(45) **Date of Patent:** **** Oct. 30, 2012**

(54) **CLIP FOR HOLDING AN EMERGENCY TOOL**

(76) Inventor: **Laurent Colasse**, Santa Barbara, CA
(US)

(**) Term: **14 Years**

(21) Appl. No.: **29/416,502**

(22) Filed: **Mar. 22, 2012**

(51) **LOC (9) Cl.** **08-08**

(52) **U.S. Cl.** **D8/395**

(58) **Field of Classification Search** D8/354,
D8/356, 371, 394-396; D19/65, 86; D24/128;
248/74.2, 215, 227.1, 49, 300, 301, 316.7,
248/51, 489; 24/570, 3.12; D32/61; D11/78.1
See application file for complete search history.

(56) **References Cited**

U.S. PATENT DOCUMENTS

3,836,106	A *	9/1974	Gray	248/229.26
3,983,602	A *	10/1976	Barry	24/11 R
5,409,198	A *	4/1995	Roick	267/107
D385,776	S *	11/1997	Protz, Jr.	D8/395
5,820,095	A *	10/1998	Stone	248/316.7
6,378,827	B1 *	4/2002	Kacines	248/231.81
6,585,204	B1 *	7/2003	Haertzen	248/211
D478,630	S *	8/2003	Riggins	D19/83
D522,852	S *	6/2006	Nawrocki	D8/395

D531,891	S *	11/2006	Nawrocki	D8/395
D552,463	S *	10/2007	French et al.	D8/395
D578,383	S *	10/2008	Adams	D8/395
D592,039	S *	5/2009	Okuda	D8/356
D600,544	S *	9/2009	Klaus et al.	D8/395
D610,441	S *	2/2010	Jones	D8/394
D644,504	S *	9/2011	Rieder	D8/395
2004/0129846	A1 *	7/2004	Adams et al.	248/231.81

* cited by examiner

Primary Examiner — John Windmuller

(74) *Attorney, Agent, or Firm* — Guy Cumberbatch

(57) **CLAIM**

I claim the ornamental design for a clip for holding an emergency tool.

DESCRIPTION

FIGS. 1 and 2 are perspective views of a clip for holding an emergency tool of the present application; FIG. 3 is a perspective view of the clip of the present application, the clip attached to a vehicle visor and holding an emergency tool; and, FIGS. 4-8 are orthogonal views of the clip for holding an emergency tool of the present application. The broken lines in FIG. 3 illustrate environment only and form no part of the claimed design. A clip for attaching to a vehicle visor and holding an emergency tool.

1 Claim, 3 Drawing Sheets

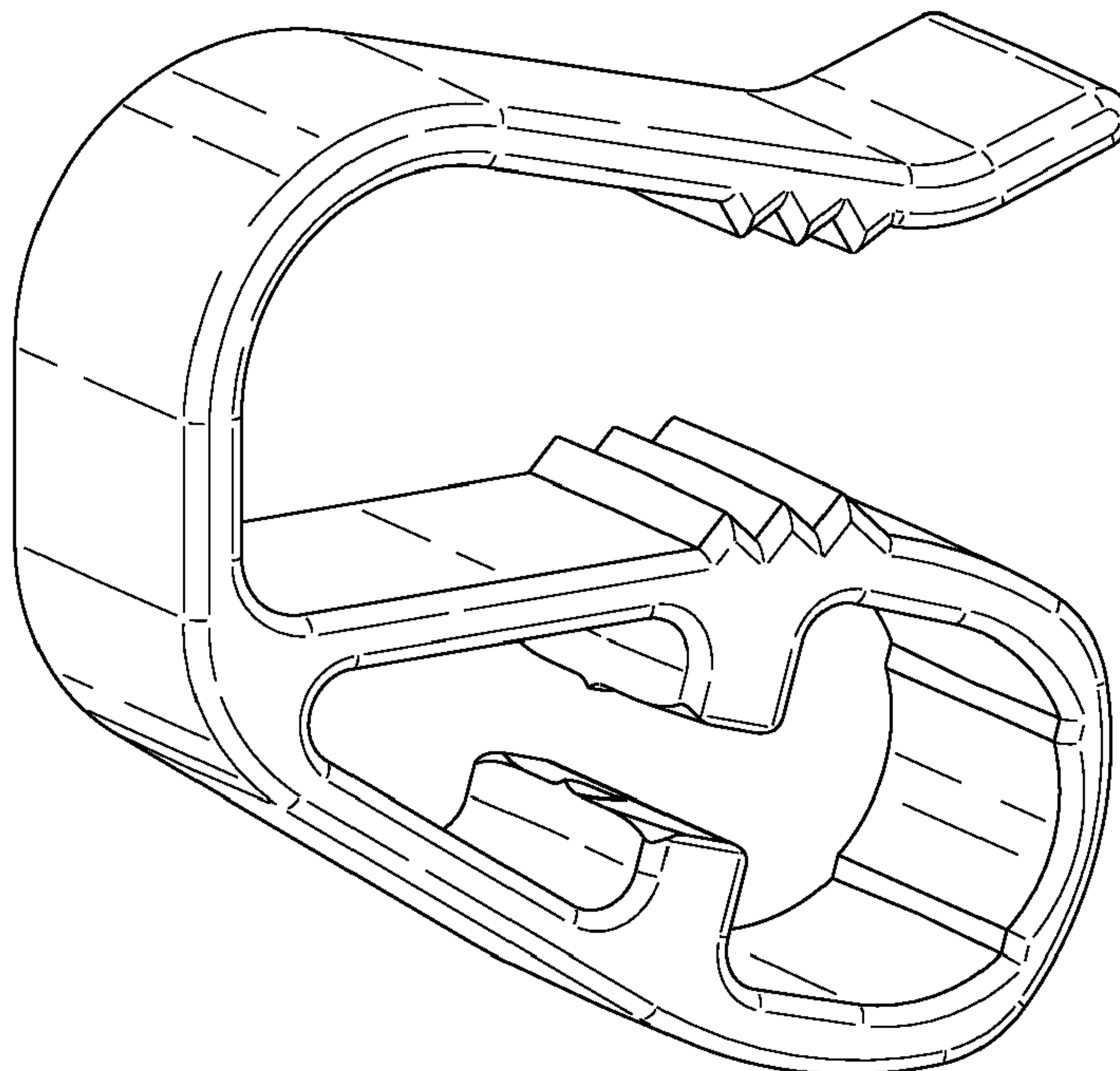


Fig. 1

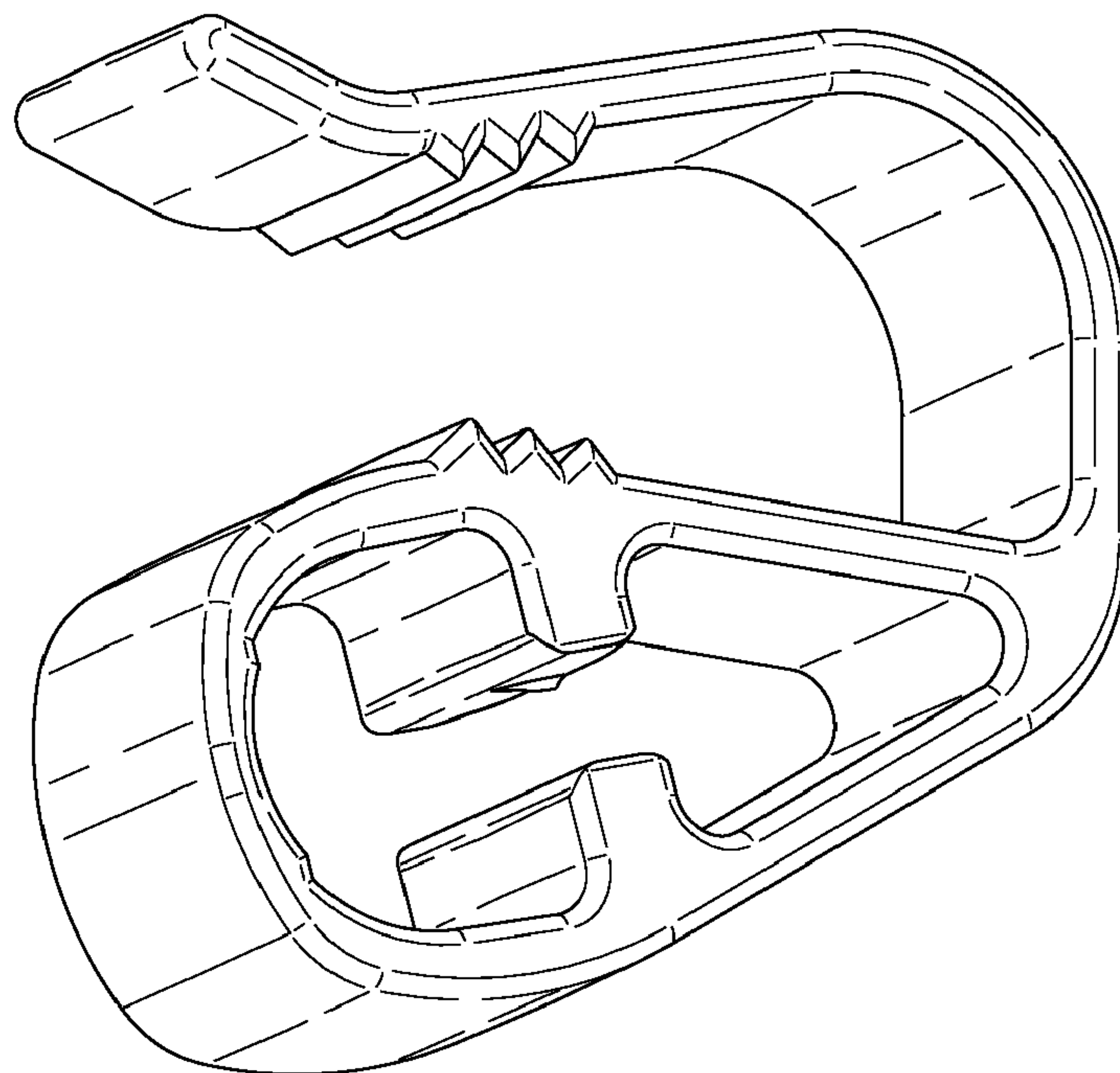


Fig. 2

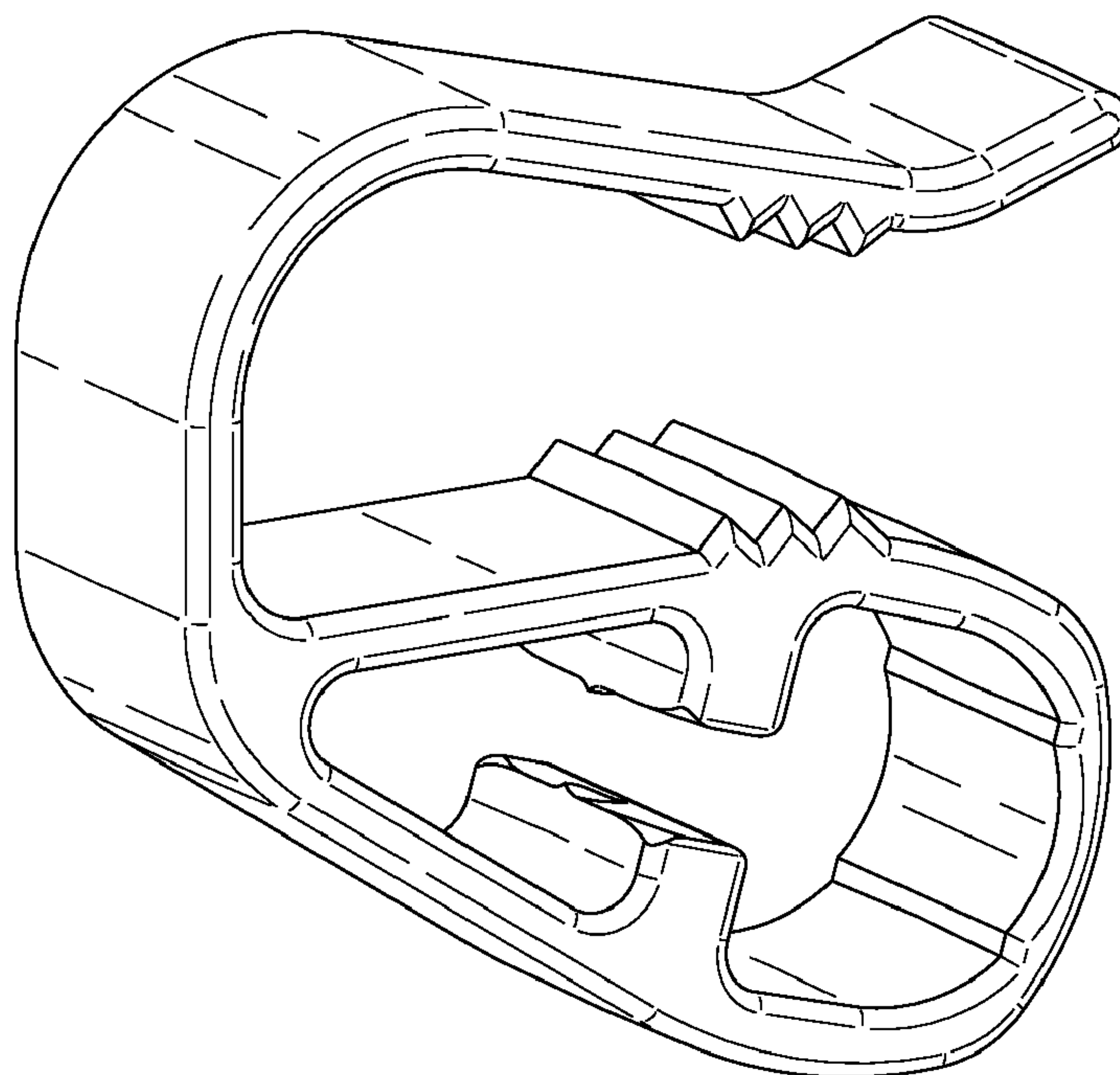


Fig. 3

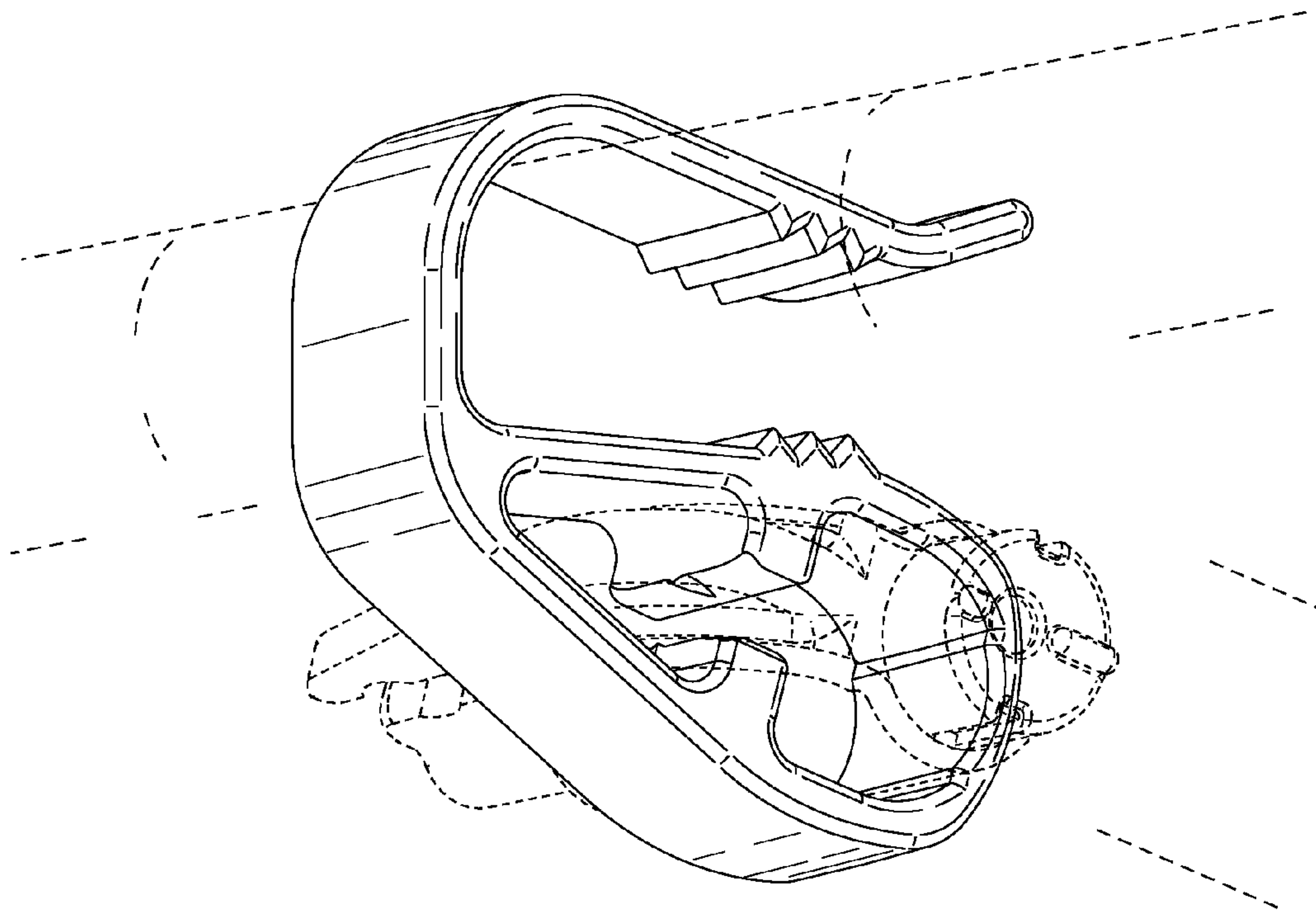


Fig. 7

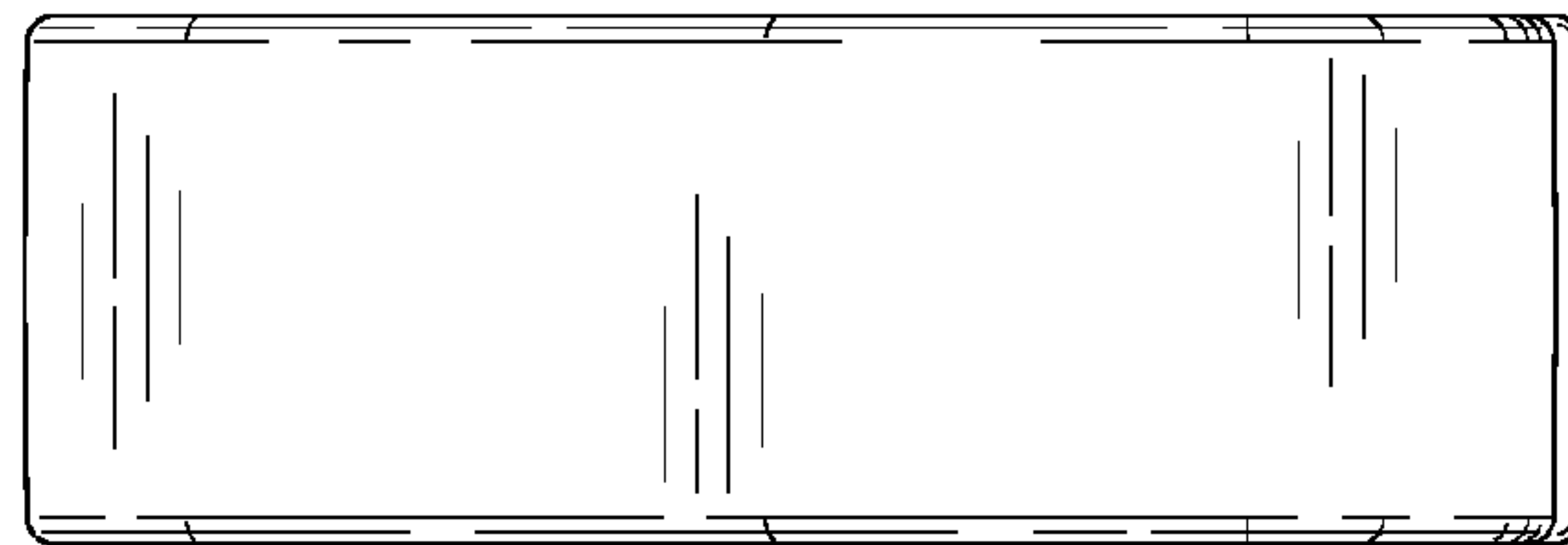


Fig. 5

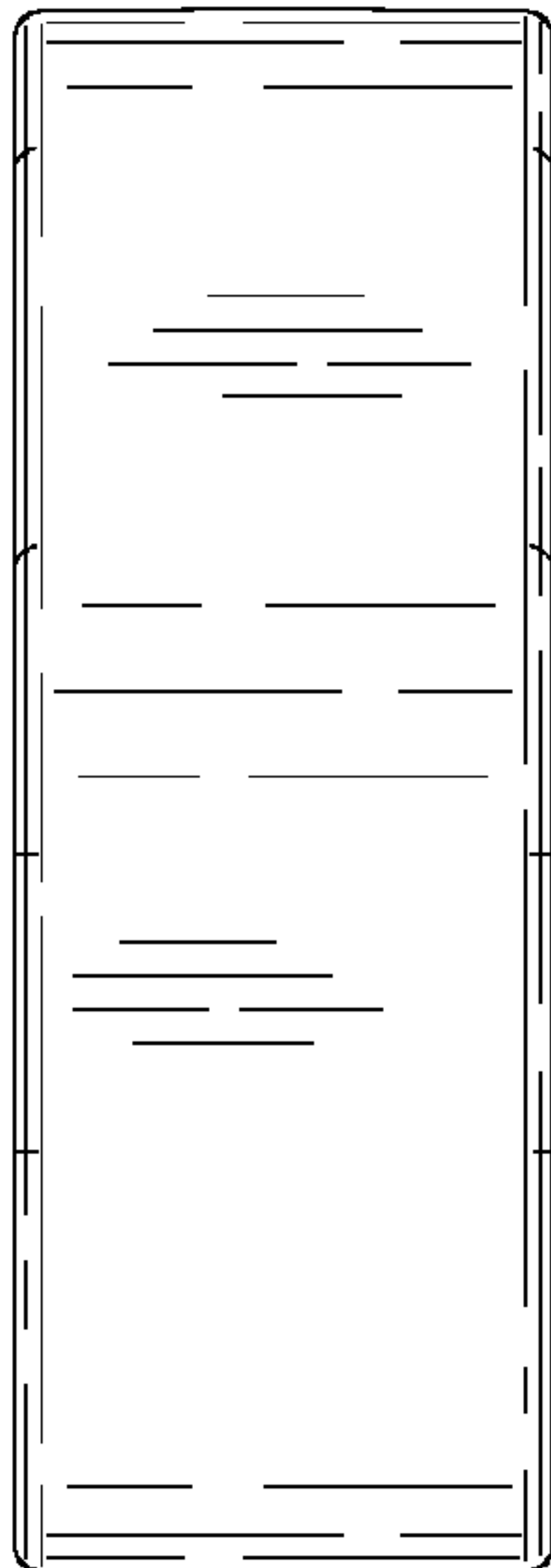


Fig. 4

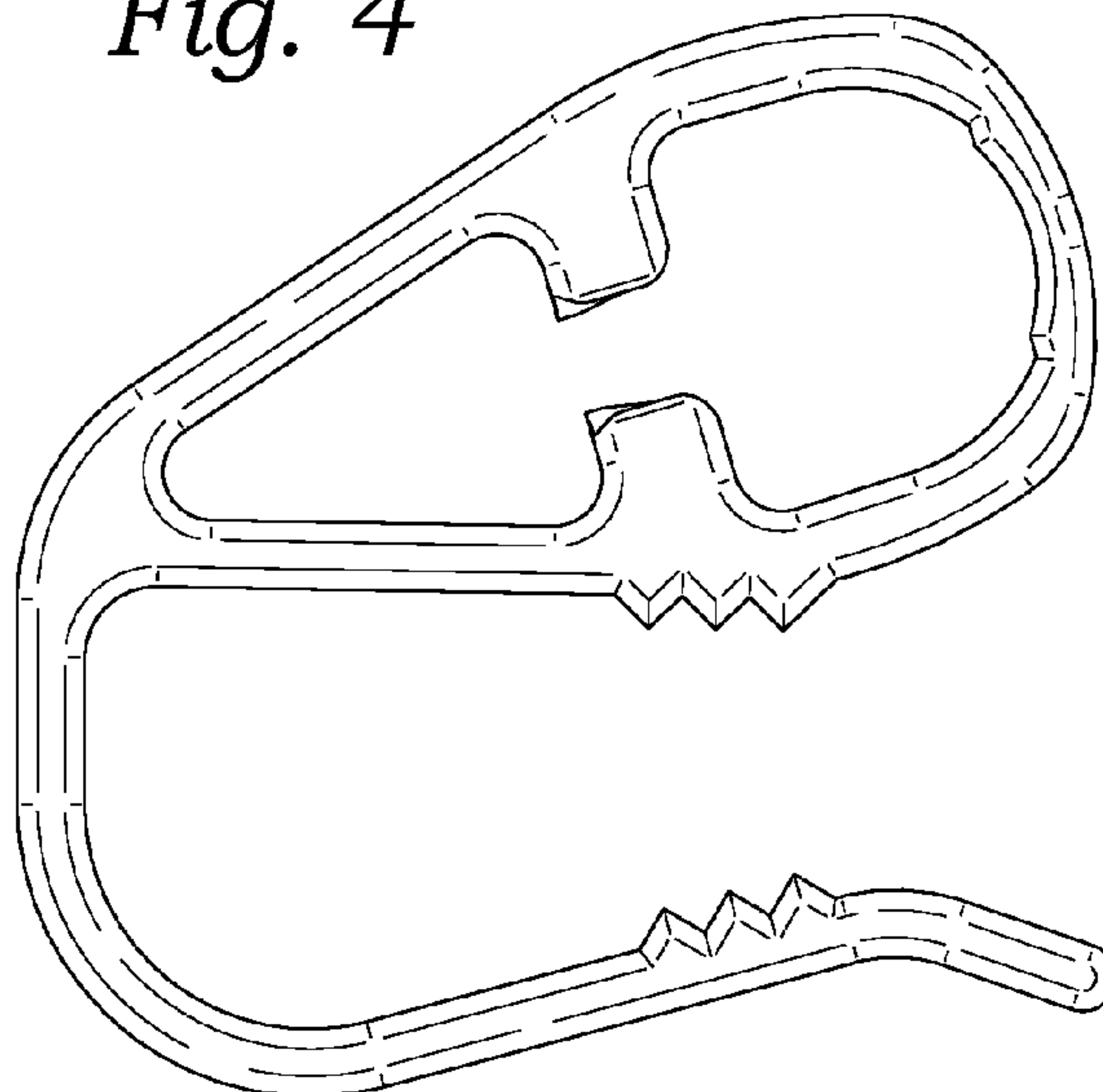


Fig. 6

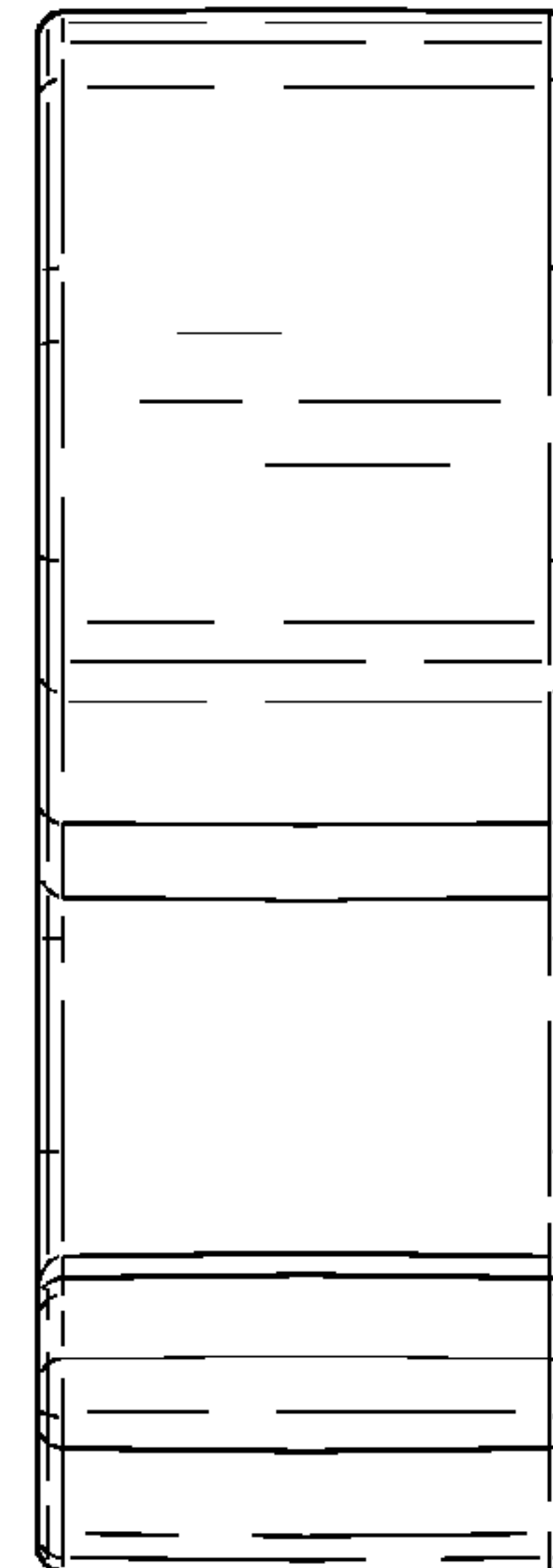


Fig. 8

