

US00D669771S

(12) **United States Design Patent**
Geiger

(10) **Patent No.:** **US D669,771 S**

(45) **Date of Patent:** **** Oct. 30, 2012**

(54) **ROLLER SHADE BRACKET PAIR**

(76) Inventor: **James Erwin Geiger**, Charleston, SC
(US)

(**) Term: **14 Years**

(21) Appl. No.: **29/402,928**

(22) Filed: **Sep. 29, 2011**

(51) **LOC (9) Cl.** **08-05**

(52) **U.S. Cl.** **D8/380**

(58) **Field of Classification Search** D8/40,
D8/349, 353, 354, 366, 373, 380, 381, 394;
248/251, 254, 266, 267, 268, 269, 270, 271,
248/272; 160/294

See application file for complete search history.

(56) **References Cited**

U.S. PATENT DOCUMENTS

- 1,650,744 A * 11/1927 Smith 248/268
- 2,227,859 A * 1/1941 Mollin 160/294
- D596,020 S * 7/2009 Lisowski D8/380

* cited by examiner

Primary Examiner — Susan Bennett Hattan

Assistant Examiner — Barbara B Lohr

(74) *Attorney, Agent, or Firm* — Sinorica, LLC

(57) **CLAIM**

The ornamental design for a roller shade bracket pair, as shown and described.

DESCRIPTION

FIG. 1 is a perspective view of a roller shade bracket pair;
FIG. 2 is a perspective view of a left bracket of the roller shade
bracket pair;

FIG. 3 is front elevational view thereof, the rear elevational
view being a mirror image, the top plan view and the bottom
plan view being an identical image;

FIG. 4 is a right-side elevational view thereof;

FIG. 5 is a left-side elevational view thereof;

FIG. 6 is a perspective view of a right bracket of the roller
shade bracket pair;

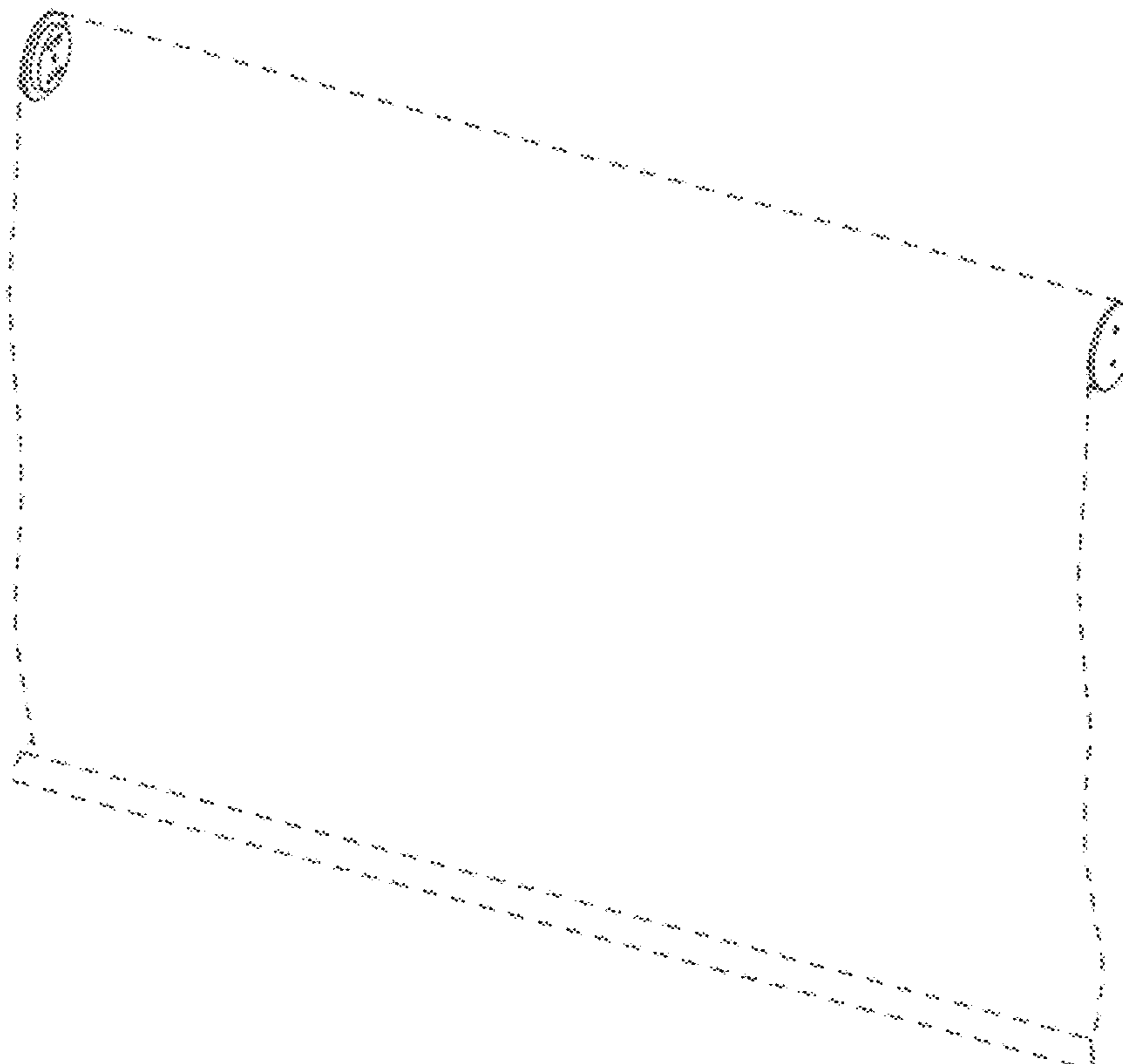
FIG. 7 is a front elevational view thereof, the rear elevational
view being a mirror image, the top plan view and the bottom
plan view being an identical image;

FIG. 8 is a right-side elevational view thereof; and,

FIG. 9 is a left-side elevational view thereof.

The broken lines in the drawing depict environmental subject
matter and form no part of the claimed design.

1 Claim, 5 Drawing Sheets



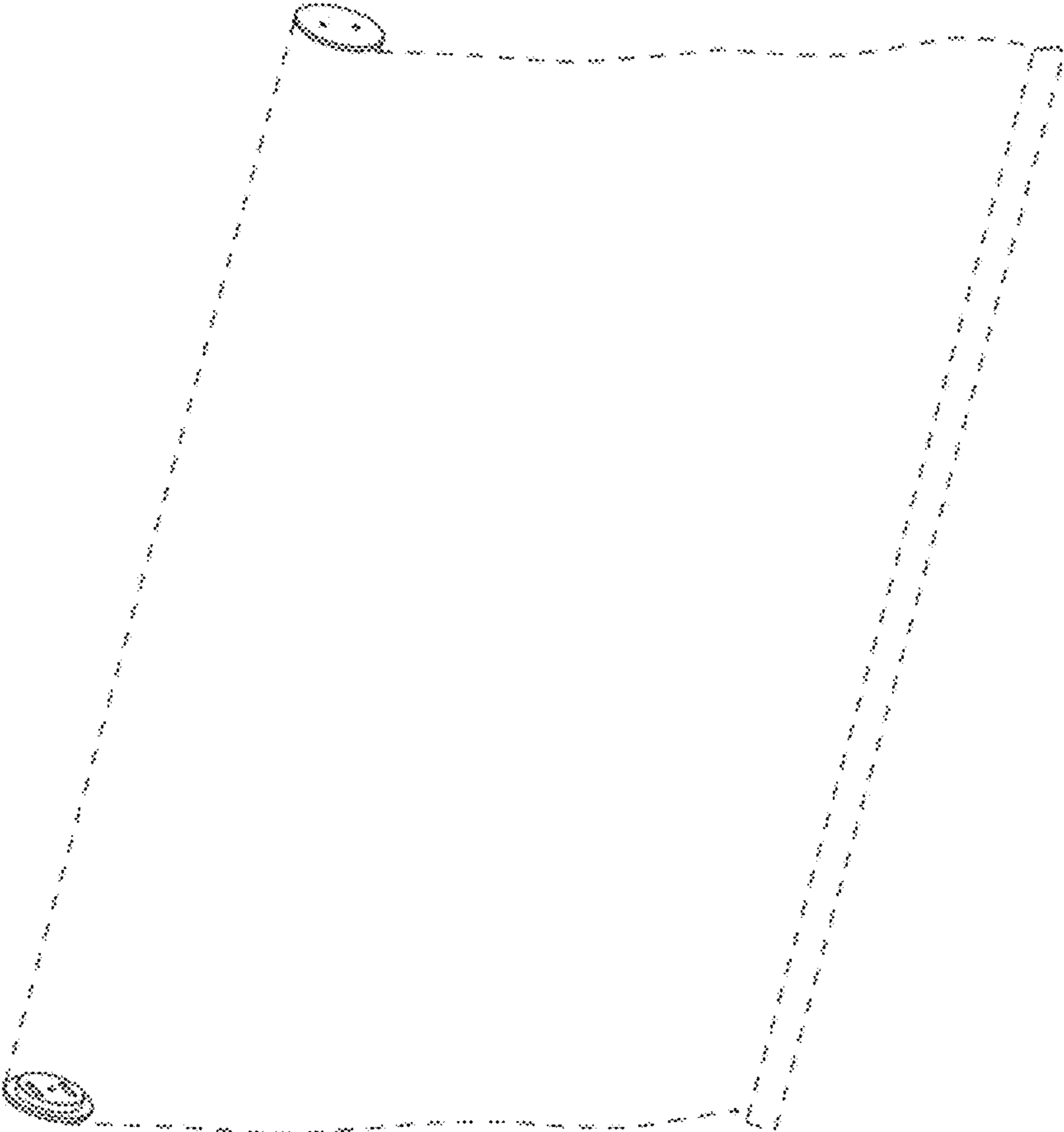


FIG. 1

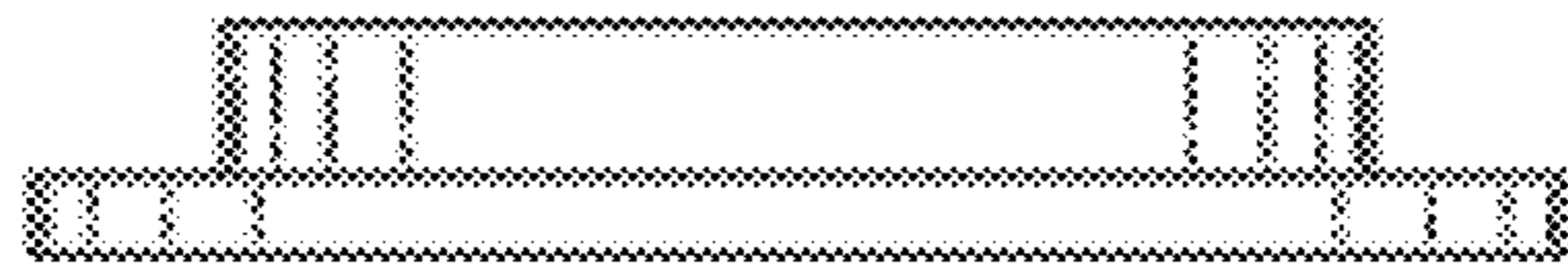


FIG. 3

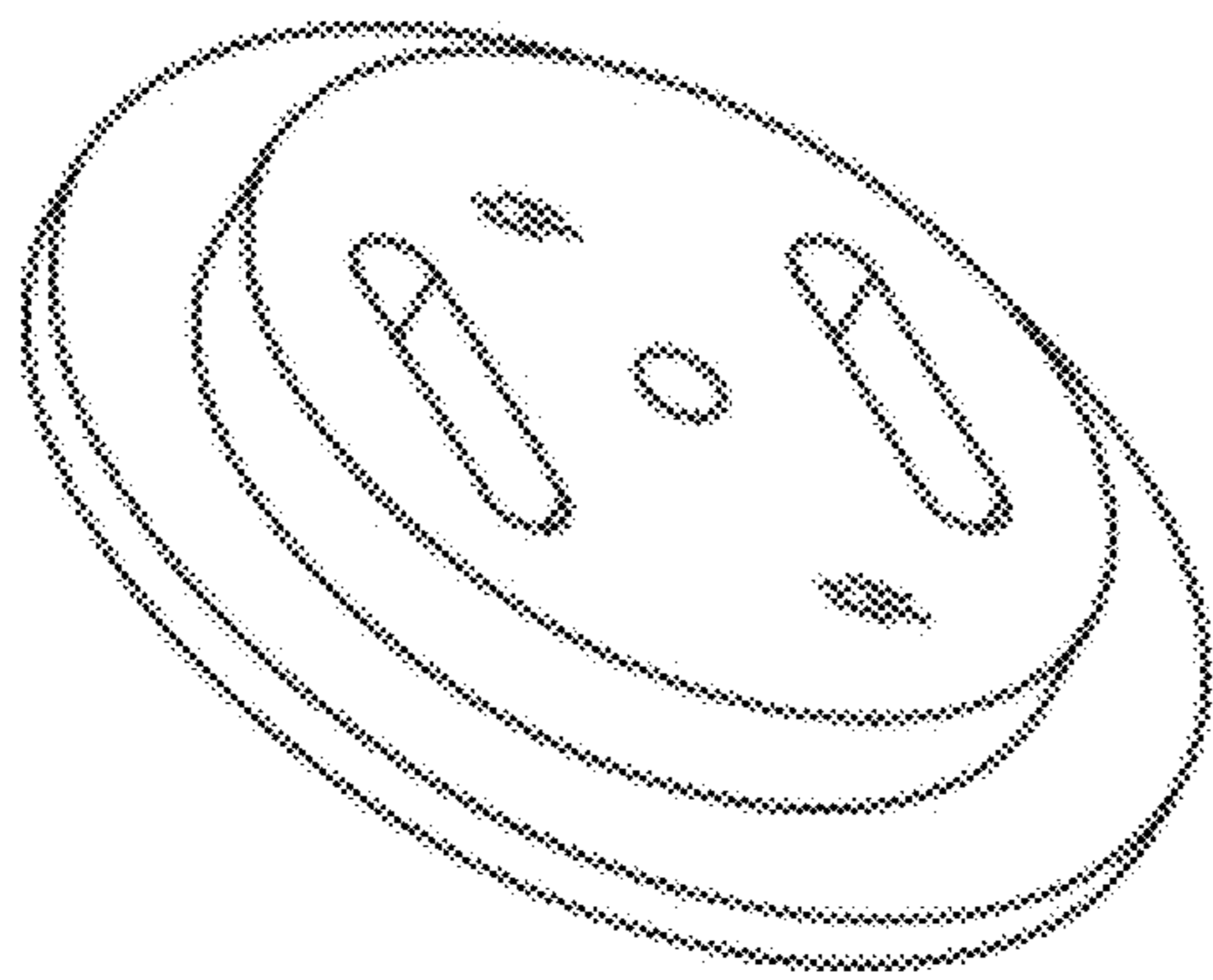


FIG. 2

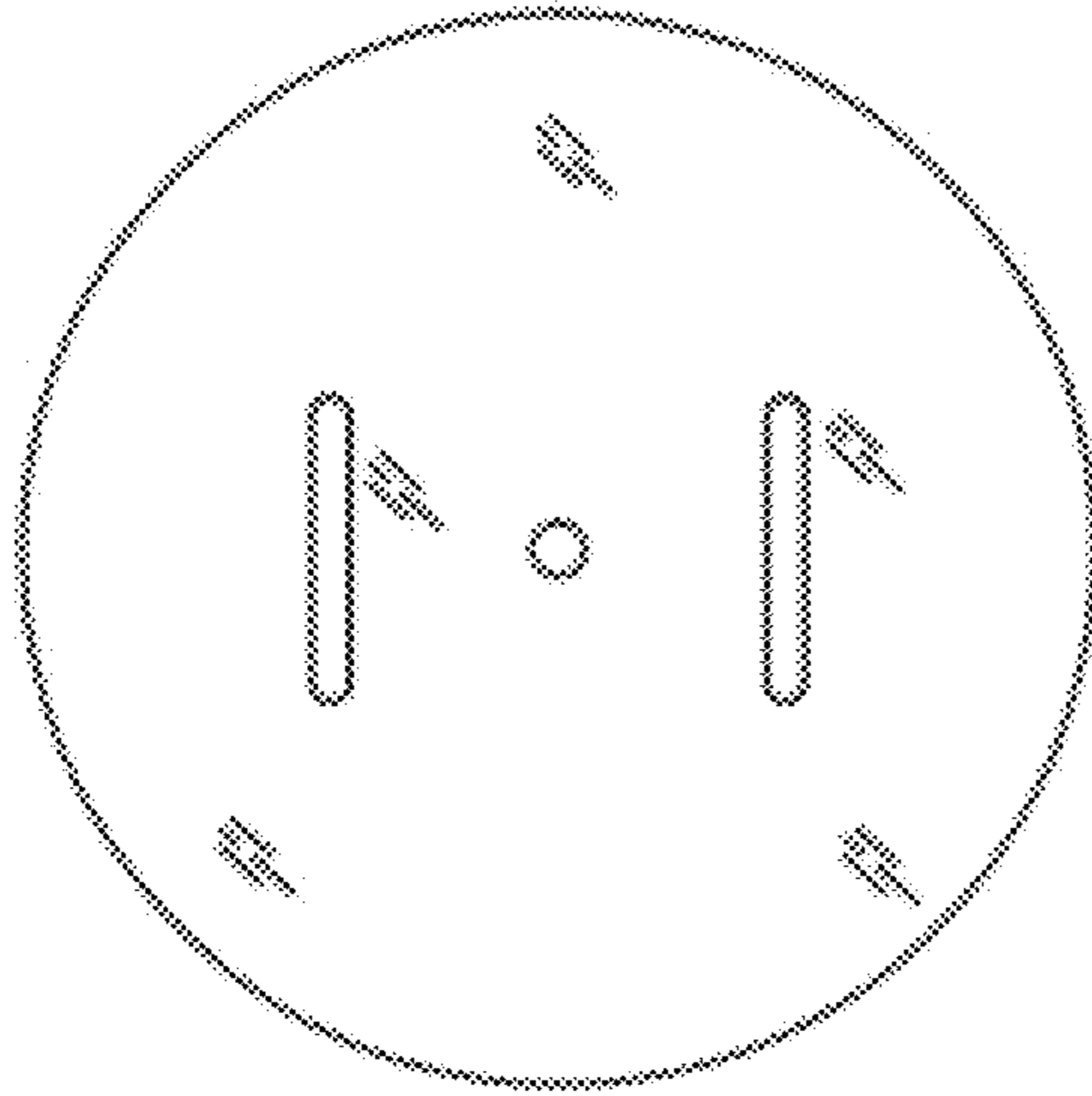


FIG. 5

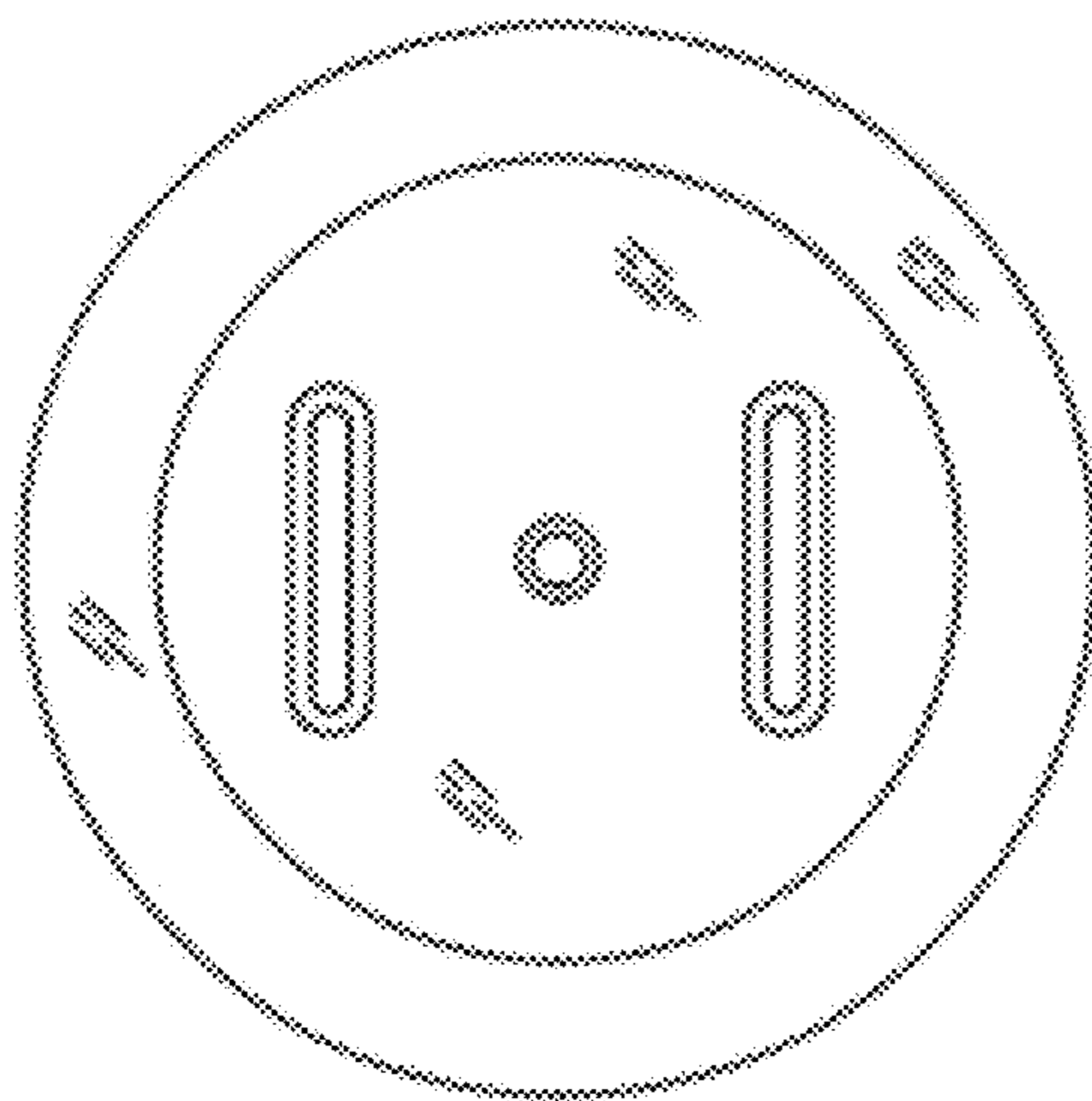


FIG. 4

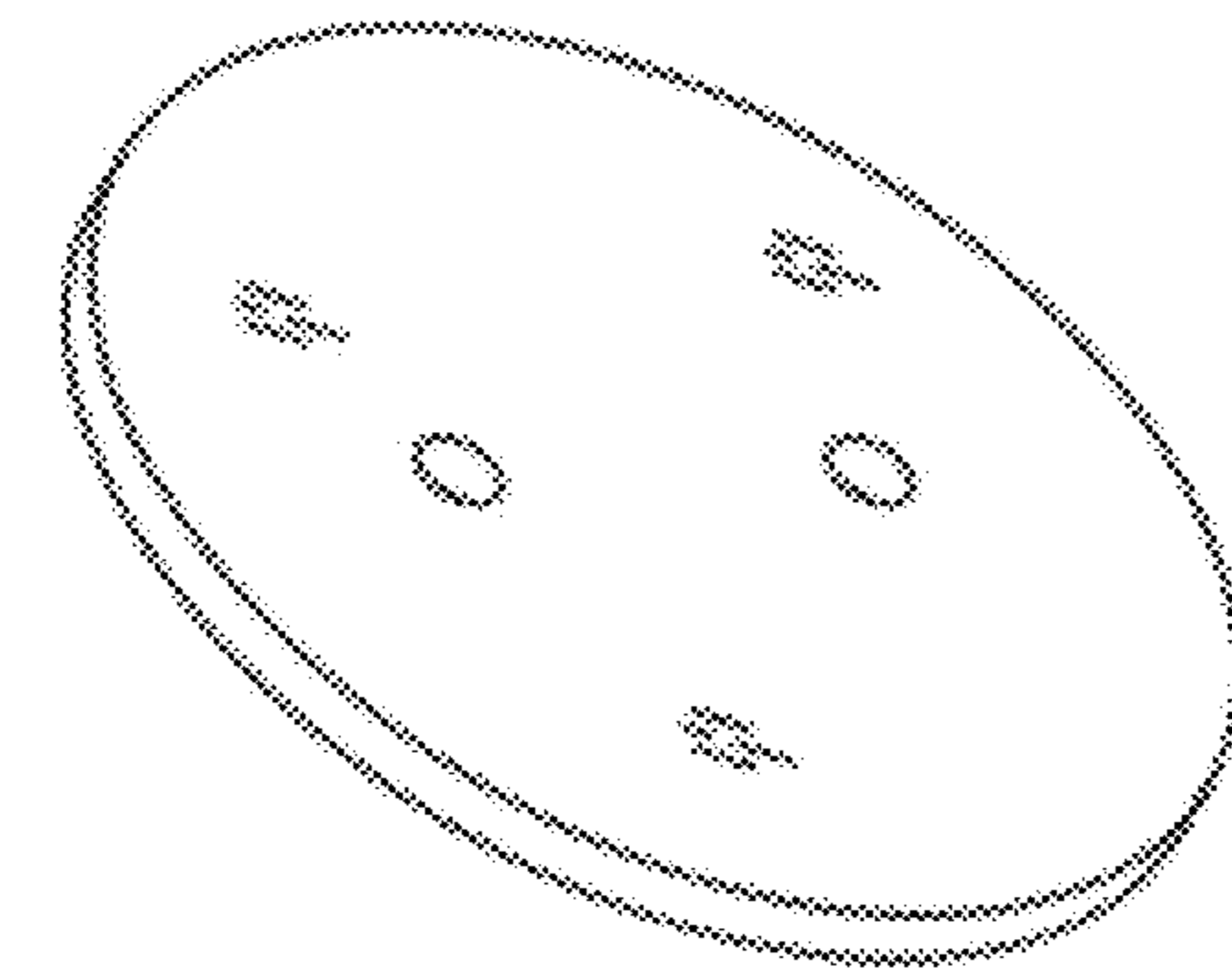


FIG. 6



FIG. 7

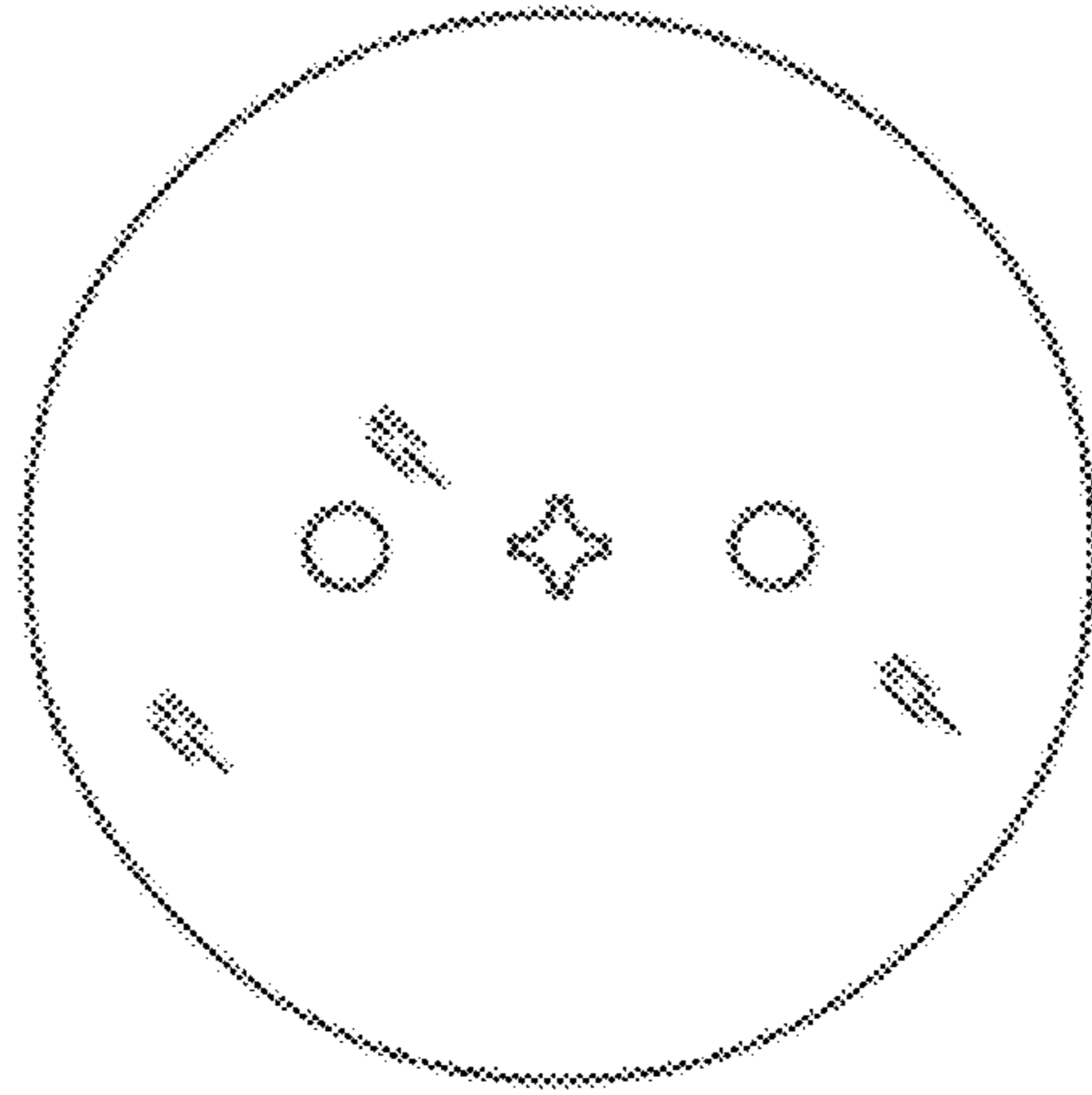


FIG. 9

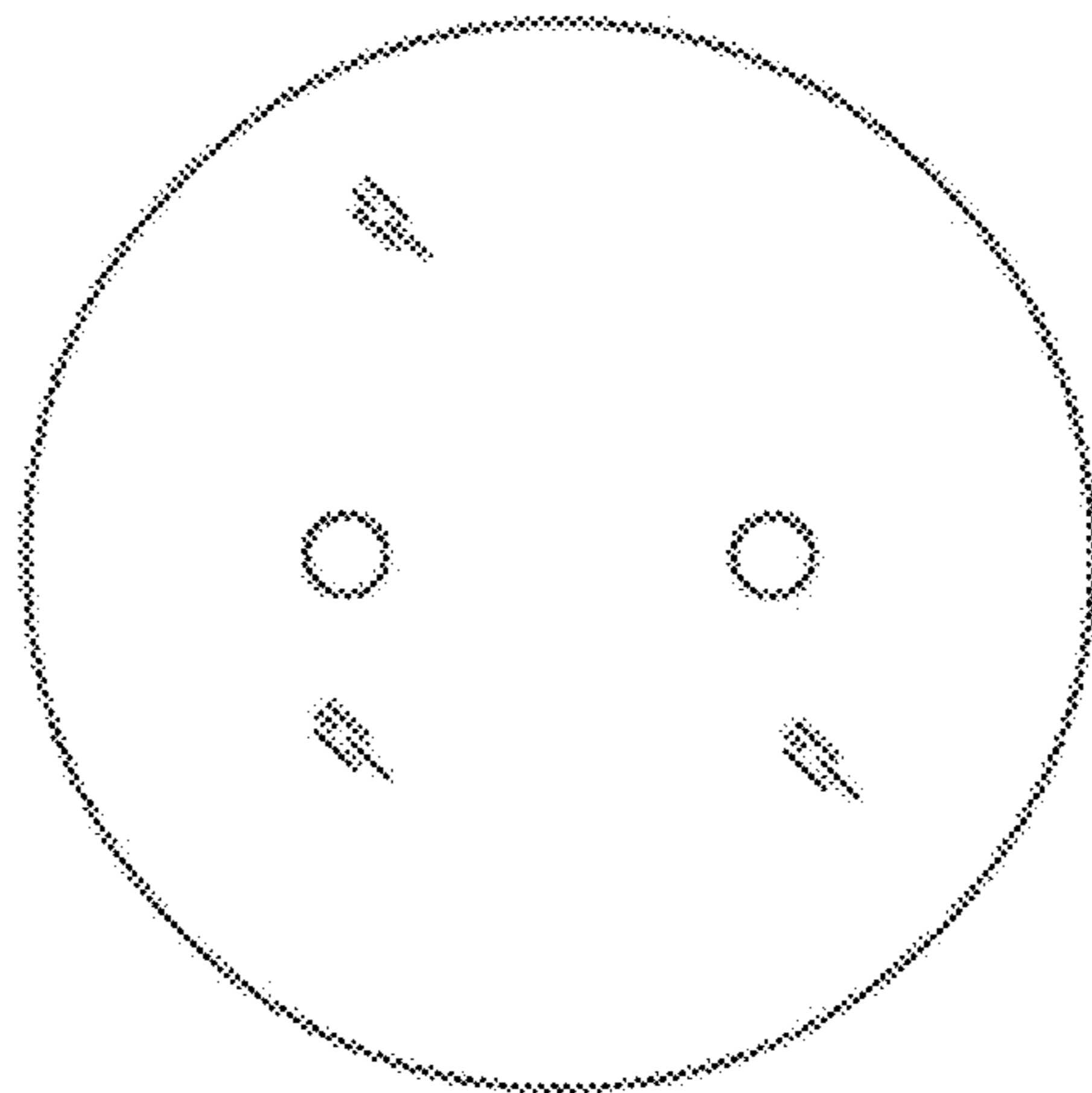


FIG. 8