

US00D669770S

(12) **United States Design Patent**  
**Lapping et al.**

(10) **Patent No.:** **US D669,770 S**

(45) **Date of Patent:** **\*\* Oct. 30, 2012**

(54) **STILE EXTRUSION FOR A SLIDING WARDROBE DOOR OR THE LIKE**

(75) Inventors: **Nigel Lapping**, Guanaba (AU); **David Andrew Hills**, Panania (AU)

(73) Assignee: **JELD-WEN Australia Pty. Ltd.**, Rydalmere NSW (AU)

(\*\*) Term: **14 Years**

(21) Appl. No.: **29/406,570**

(22) Filed: **Nov. 16, 2011**

(30) **Foreign Application Priority Data**

May 16, 2011 (AU) ..... 12188/2011

(51) **LOC (9) Cl.** ..... **08-05**

(52) **U.S. Cl.** ..... **D8/377; D25/122**

(58) **Field of Classification Search** ..... D8/377;  
D25/121, 122, 48.1, 125; 49/69, 130, 155,  
49/176, 212, 410, 411, 423, 428, 434, 440,  
49/453, 457; 52/207

See application file for complete search history.

(56) **References Cited**

U.S. PATENT DOCUMENTS

4,126,912 A \* 11/1978 Johnson ..... 16/81  
D268,809 S \* 5/1983 Marontate ..... D8/377

5,598,665 A \* 2/1997 Guddas ..... 49/404  
D387,973 S \* 12/1997 Layman ..... D8/377  
5,860,264 A \* 1/1999 Gephart et al. .... 52/656.4  
7,124,538 B1 \* 10/2006 Kline ..... 49/316  
D541,953 S \* 5/2007 Deleu ..... D25/122

\* cited by examiner

*Primary Examiner* — Doris Clark

(74) *Attorney, Agent, or Firm* — Stoel Rives LLP

(57) **CLAIM**

We claim the ornamental design for a stile extrusion for a sliding wardrobe door or the like, as shown and described.

**DESCRIPTION**

FIG. 1 is a perspective view of a stile extrusion for a sliding wardrobe door or the like;

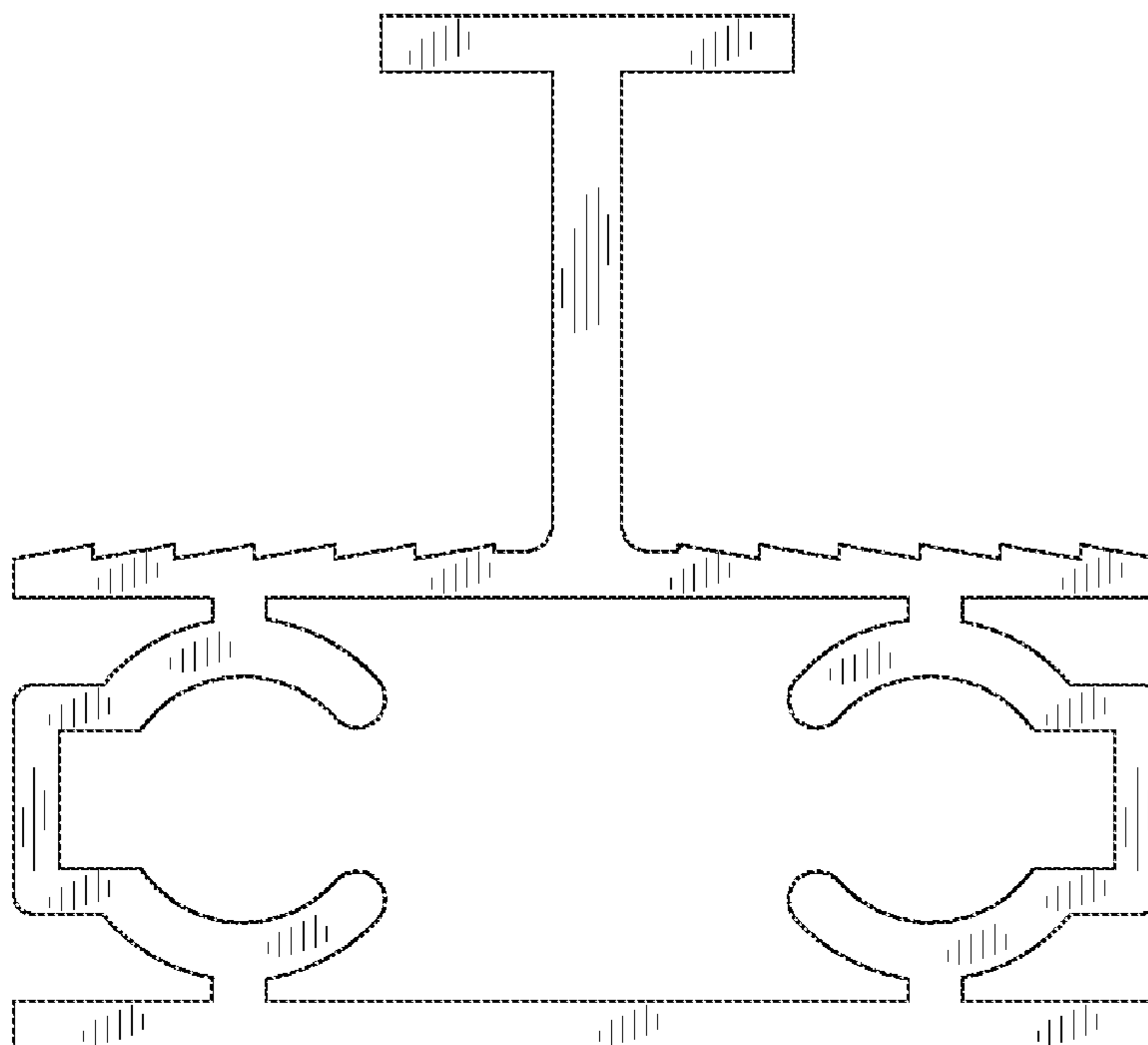
FIG. 2 is an enlarged bottom end view of the stile extrusion for a sliding wardrobe door or the like shown in FIG. 1, of which a top end view is identical;

FIG. 3 is a front elevation view of the stile extrusion for a sliding wardrobe door or the like shown in FIG. 1;

FIG. 4 is a rear elevation view of the stile extrusion for a sliding wardrobe door or the like shown in FIG. 1; and,

FIG. 5 is a right side elevation view of the stile extrusion for a sliding wardrobe door or the like shown in FIG. 1, of which the left side elevation view is a mirror image.

**1 Claim, 2 Drawing Sheets**



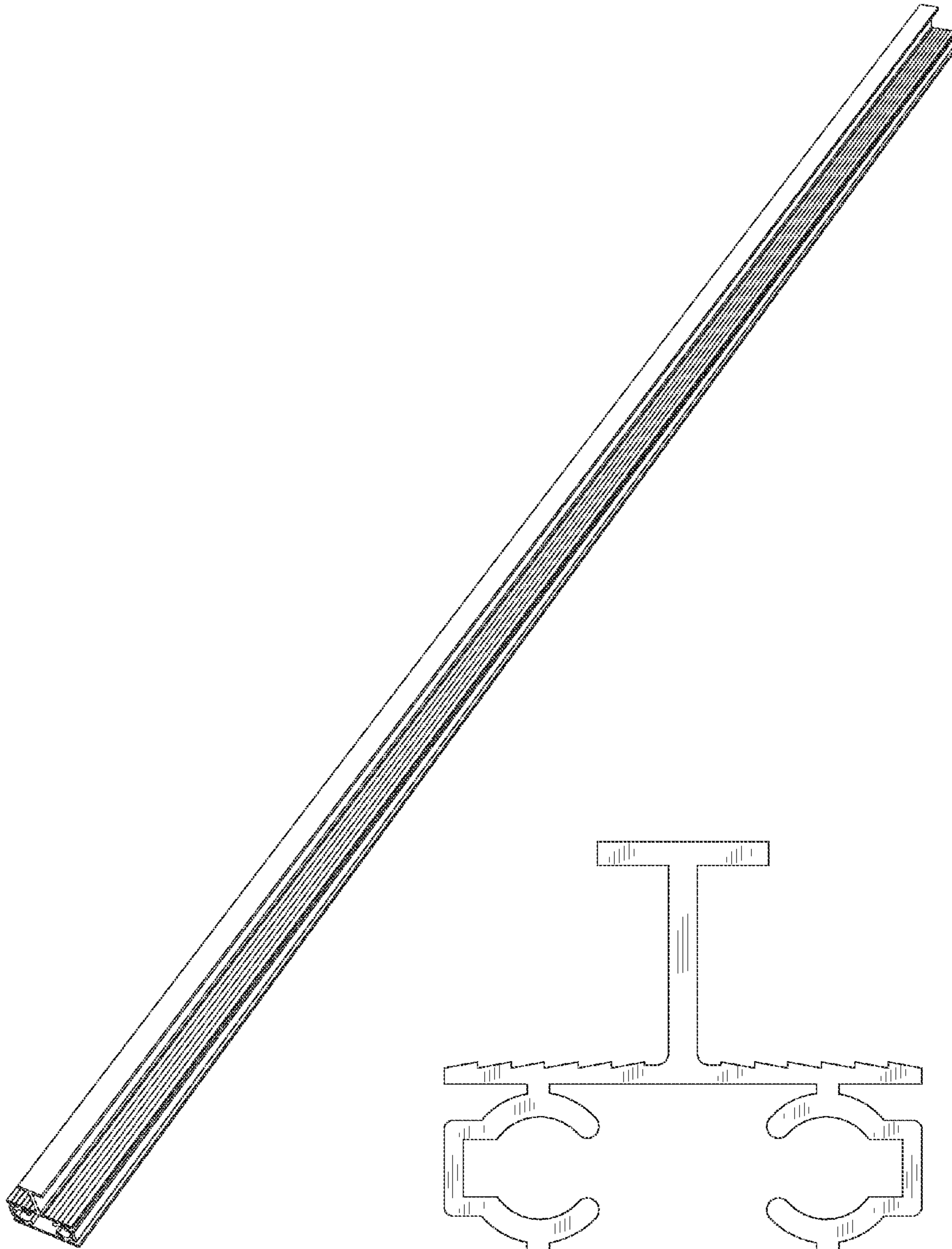


FIG. 1

FIG. 2



FIG. 3

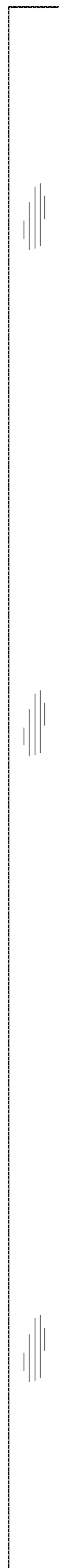


FIG. 4

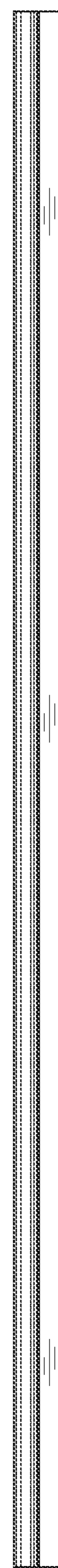


FIG. 5