



US00D669762S

(12) **United States Design Patent**
Miekina

(10) **Patent No.:** **US D669,762 S**
(45) **Date of Patent:** **** Oct. 30, 2012**

(54) **TURNBUCKLE**
(75) Inventor: **William Miekina**, Redondo Beach, CA (US)
(73) Assignee: **Mattel, Inc.**, El Segundo, CA (US)

6,263,572 B1 * 7/2001 Hattan 29/896.7
D535,550 S * 1/2007 Silberman D8/356
D560,985 S * 2/2008 Quorning D8/25
7,657,976 B2 * 2/2010 Nakamura 24/136 A
D631,333 S * 1/2011 Bauer et al. D8/367
D652,710 S * 1/2012 Yokota et al. D8/356

* cited by examiner

(**) Term: **14 Years**

Primary Examiner — Cynthia Underwood

(21) Appl. No.: **29/413,308**

(74) *Attorney, Agent, or Firm* — Edell, Shapiro & Finnan, LLC

(22) Filed: **Feb. 14, 2012**

(51) **LOC (9) Cl.** **08-05**

(52) **U.S. Cl.** **D8/356; D8/25**

(58) **Field of Classification Search** D8/367,
D8/371, 373, 354–356, 349, 25; D6/323;
248/215, 301, 339, 349.1; 160/349.1, 349.2;
24/265 H, 265 R, 599.1, 599.8, 113 R, 573.5;
294/82.18; 29/525.1, 45.3, 896.7; D3/24;
223/106; 403/27

See application file for complete search history.

(57) **CLAIM**

The ornamental design for a turnbuckle, as shown and described.

DESCRIPTION

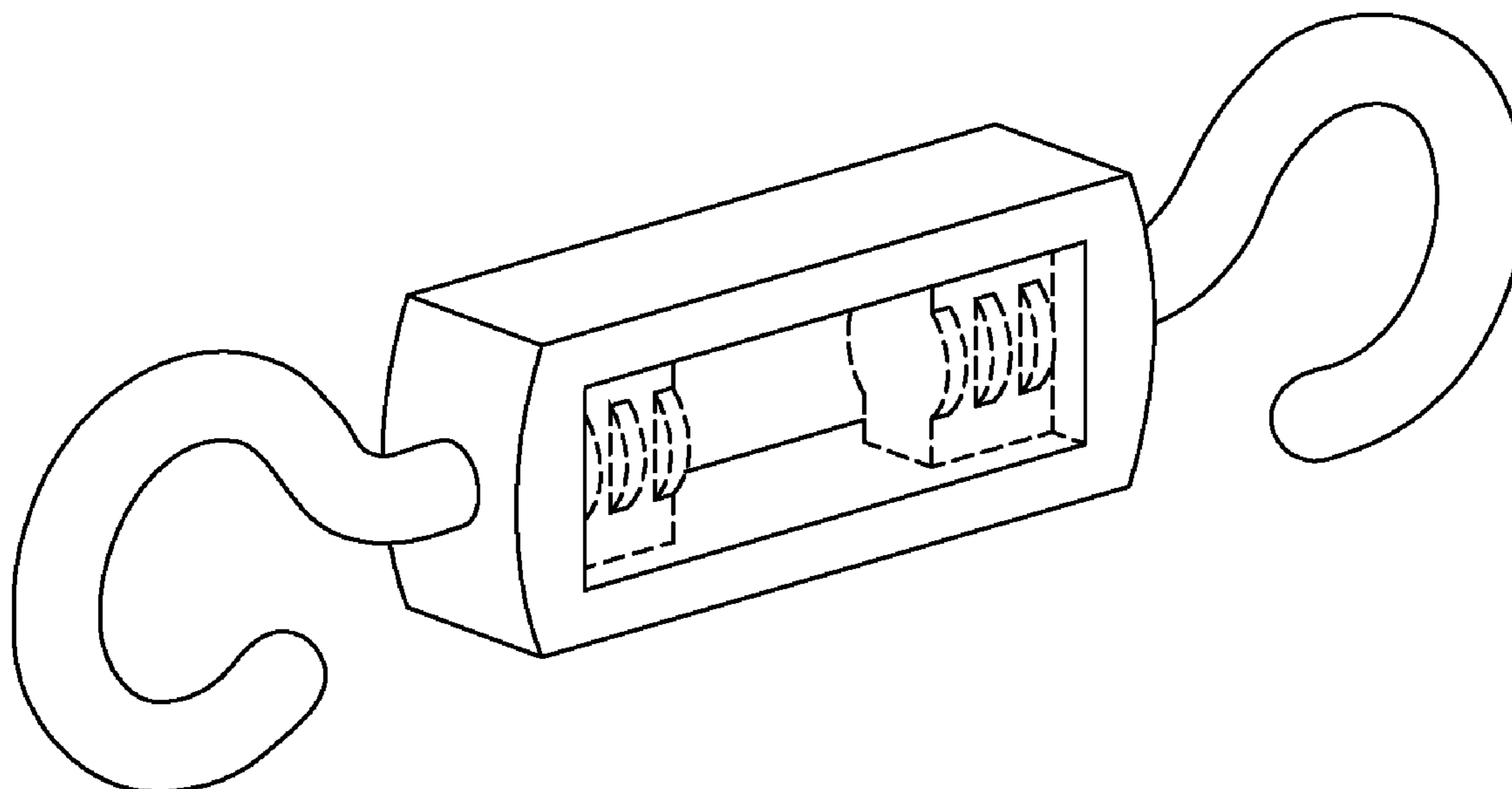
FIG. 1 is a top perspective view of a turnbuckle according to the present invention;
FIG. 2 is front view of the turnbuckle of FIG. 1;
FIG. 3 is a rear view of the turnbuckle of FIG. 1;
FIG. 4 is a right side view of the turnbuckle of FIG. 1;
FIG. 5 is a left side view of the turnbuckle of FIG. 1;
FIG. 6 is a top view of the turnbuckle of FIG. 1; and,
FIG. 7 is a bottom view of the turnbuckle of FIG. 1.
The portions shown in phantom are for illustrative purposes only and form no part of the claimed design.

(56) **References Cited**

U.S. PATENT DOCUMENTS

D137,909 S * 5/1944 Blanchard D8/23
2,353,250 A * 7/1944 Le Doyen 403/43
2,538,757 A * 1/1951 Bratthauer et al. 403/27
2,703,723 A * 3/1955 Hess 403/46
D256,984 S * 9/1980 Leppanen D8/349

1 Claim, 4 Drawing Sheets



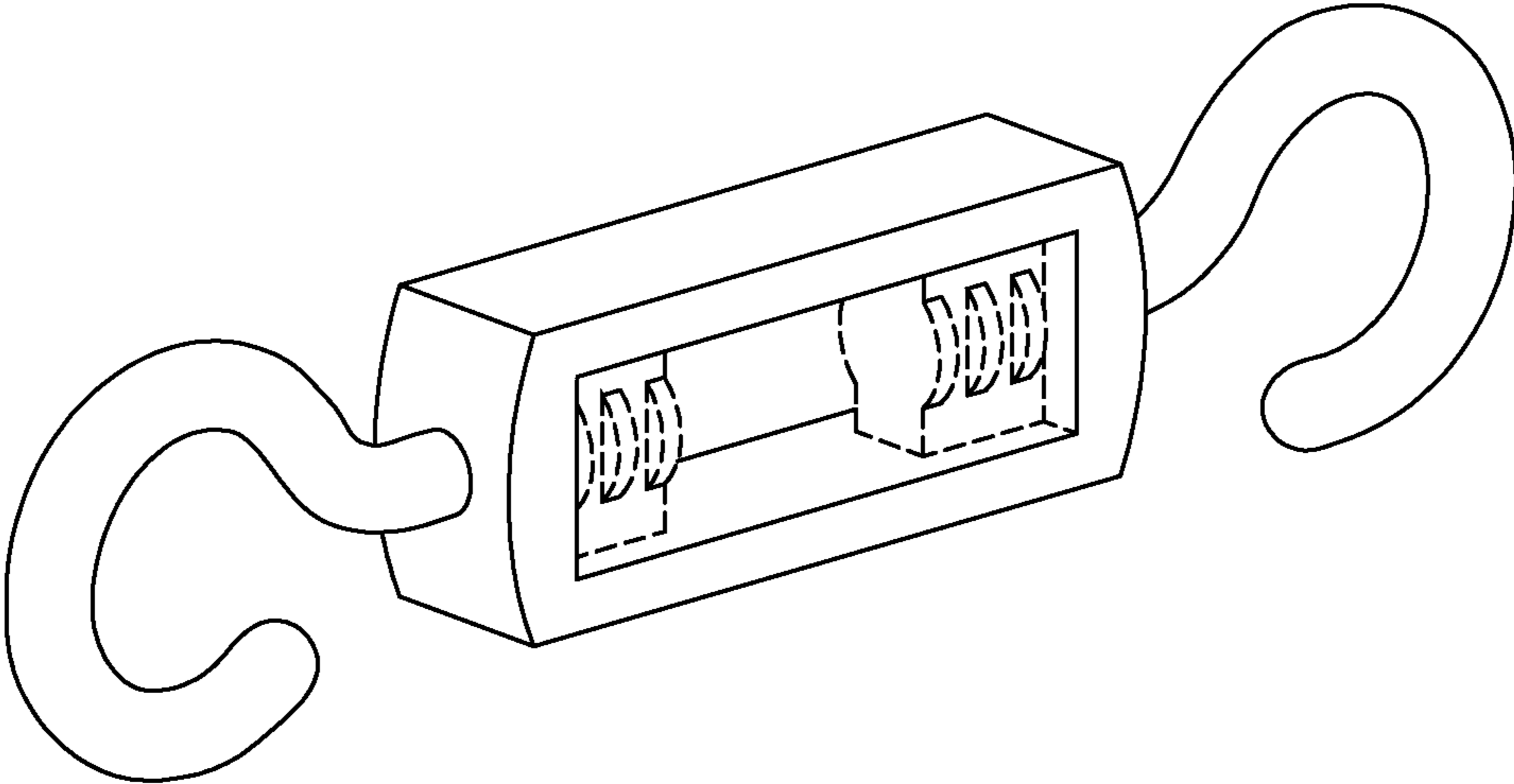


FIG.1

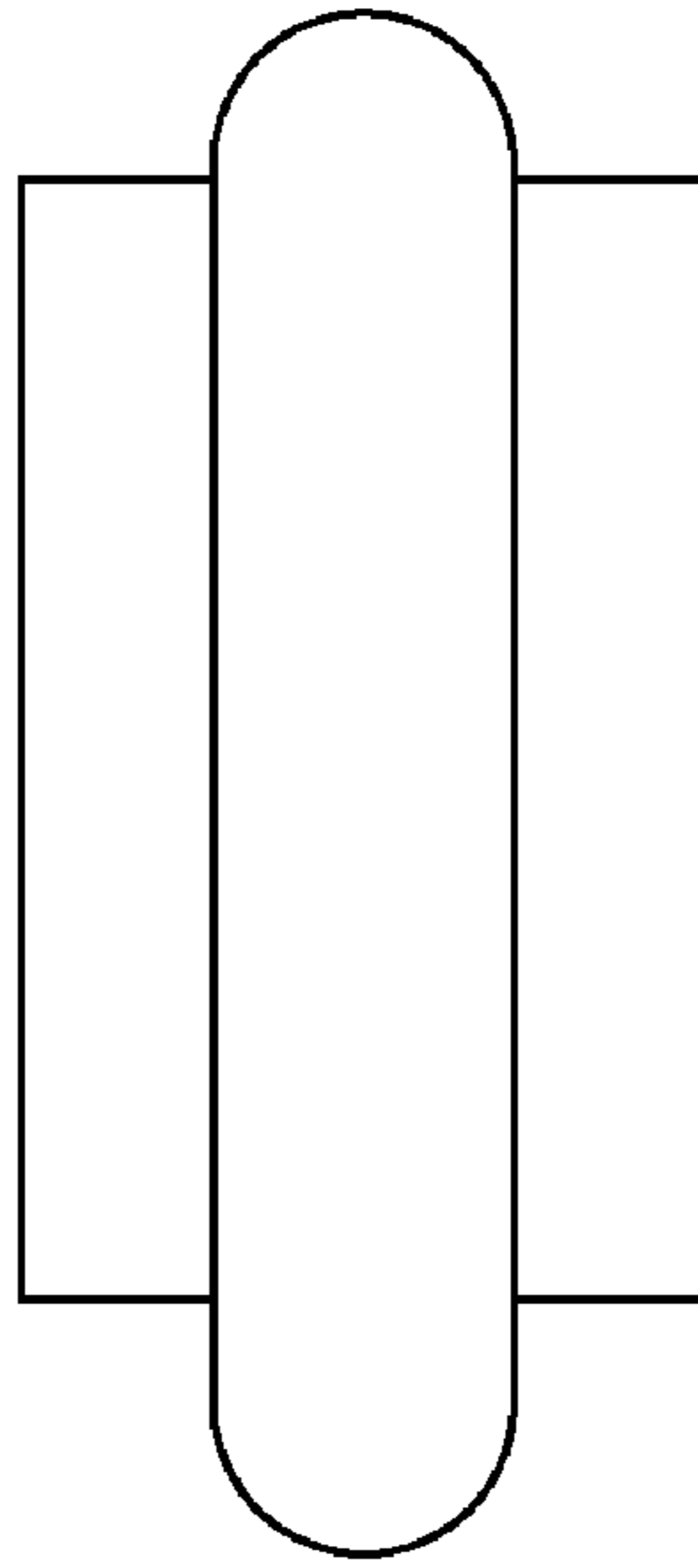


FIG.2

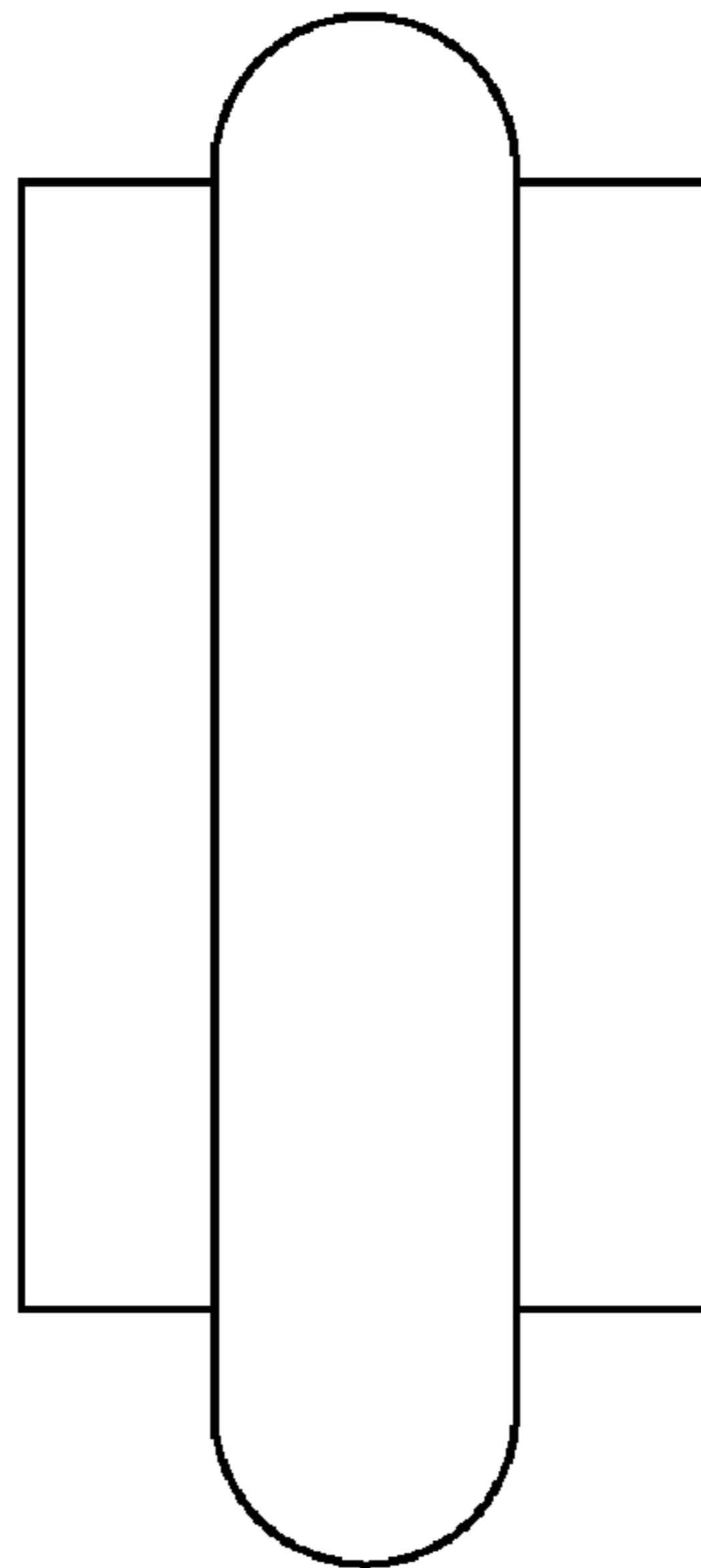


FIG.3

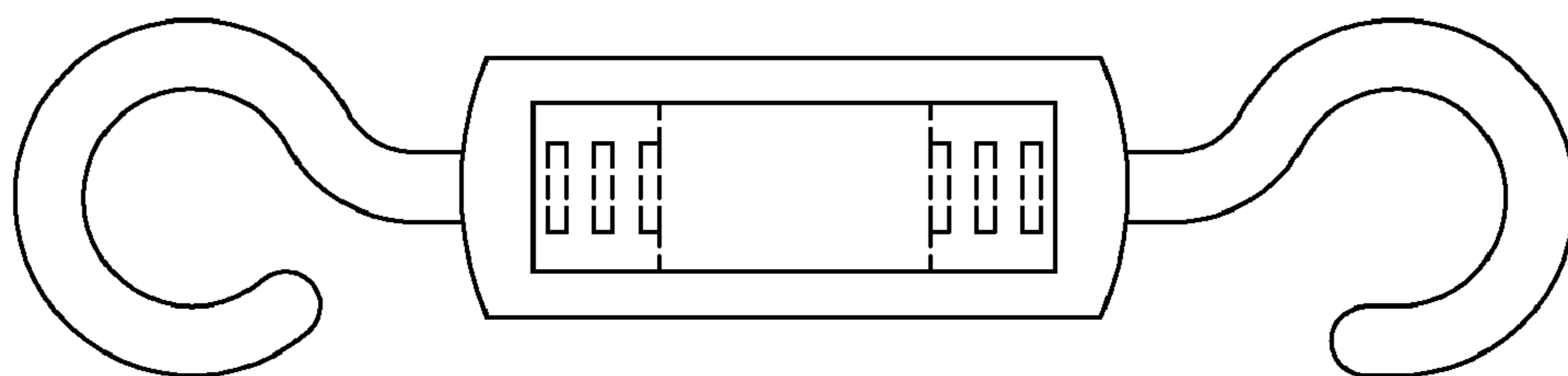


FIG. 4

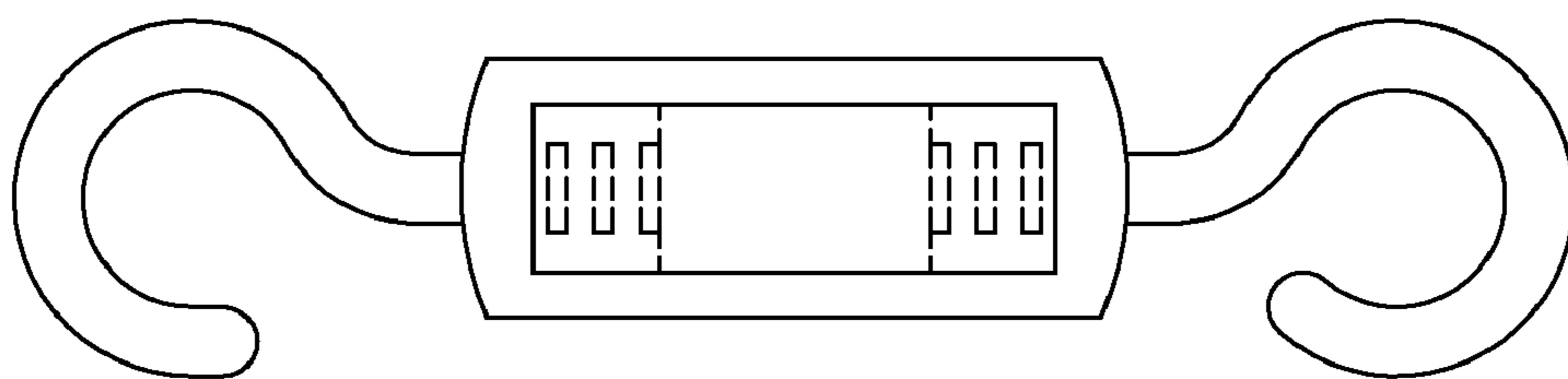


FIG. 5



FIG.6



FIG.7