



(12) **United States Design Patent**
Bucci

(10) **Patent No.:** **US D669,760 S**
(45) **Date of Patent:** **** Oct. 30, 2012**

(54) **DEVICE FOR SUPPORTING AN OBJECT**

434/102, 211, 403; 404/4-16; 405/21, 29;
D30/106

(76) Inventor: **Michael Bucci**, Glen Allen, VA (US)

See application file for complete search history.

(**) Term: **14 Years**

(56) **References Cited**

(21) Appl. No.: **29/415,009**

U.S. PATENT DOCUMENTS

(22) Filed: **Mar. 6, 2012**

Related U.S. Application Data

(60) Continuation of application No. 29/396,375, filed on Jun. 29, 2011, now Pat. No. Des. 657,659, which is a continuation of application No. 29/381,968, filed on Dec. 27, 2010, now Pat. No. Des. 642,447, which is a continuation of application No. 29/355,157, filed on Feb. 3, 2010, now Pat. No. Des. 631,729, which is a continuation of application No. 29/352,511, filed on Dec. 22, 2009, now Pat. No. Des. 613,582, which is a continuation of application No. 29/343,675, filed on Sep. 17, 2009, now Pat. No. Des. 609,077, which is a division of application No. 29/334,086, filed on Mar. 20, 2009, now Pat. No. Des. 603,245, which is a continuation-in-part of application No. 29/326,489, filed on Oct. 20, 2008, now Pat. No. Des. 602,341, which is a continuation-in-part of application No. 29/283,426, filed on Aug. 14, 2007, now Pat. No. Des. 581,251, and a continuation-in-part of application No. 29/295,012, filed on Sep. 20, 2007, now Pat. No. Des. 581,254.

700,049	A	5/1902	Hover	
1,053,873	A	2/1913	Reenstiema	
1,216,840	A	2/1917	Ramsey et al.	
1,522,306	A	1/1925	Lewis	
1,743,834	A	1/1930	Stimson	
1,858,410	A	5/1932	Morey	
2,211,110	A	8/1940	Freiler	
2,483,734	A	10/1944	Neal	
2,549,189	A	4/1951	Gabo	
2,800,099	A	7/1957	Baker	
2,808,803	A	10/1957	Weig	
2,843,971	A	7/1958	Gardellin	
D198,779	S *	8/1964	Bredon	D25/31
3,173,218	A	3/1965	McAlister	
D206,635	S	1/1967	Walter	
3,565,442	A	2/1971	Klein	
3,608,906	A	9/1971	Odier	
3,659,360	A	5/1972	Zeischegg	
3,666,607	A	5/1972	Weissman	

(Continued)

Primary Examiner — Cynthia M Chin

(74) *Attorney, Agent, or Firm* — Brian J. Teague

(51) **LOC (9) Cl.** **08-05**

(52) **U.S. Cl.** **D8/354**

(58) **Field of Classification Search** D8/349,
D8/354, 380, 382, 388, 400, 402, 499; D9/431,
D9/432; D10/109, 113; D21/505, 803, 369,
D21/373, 386, 388, 396; D20/10, 39-43;
D1/105; 116/28 R, 63 R, 63 P, 63 T, 63 C,
116/209; 40/584, 606, 607, 608, 311, 312;
273/113, 153 P, 153 R, 153 S, 155, 157 R,
273/260; 446/69, 70, 121, 122, 125, 126;
248/346.01, 546, 694, 126, 176.1; 434/99,

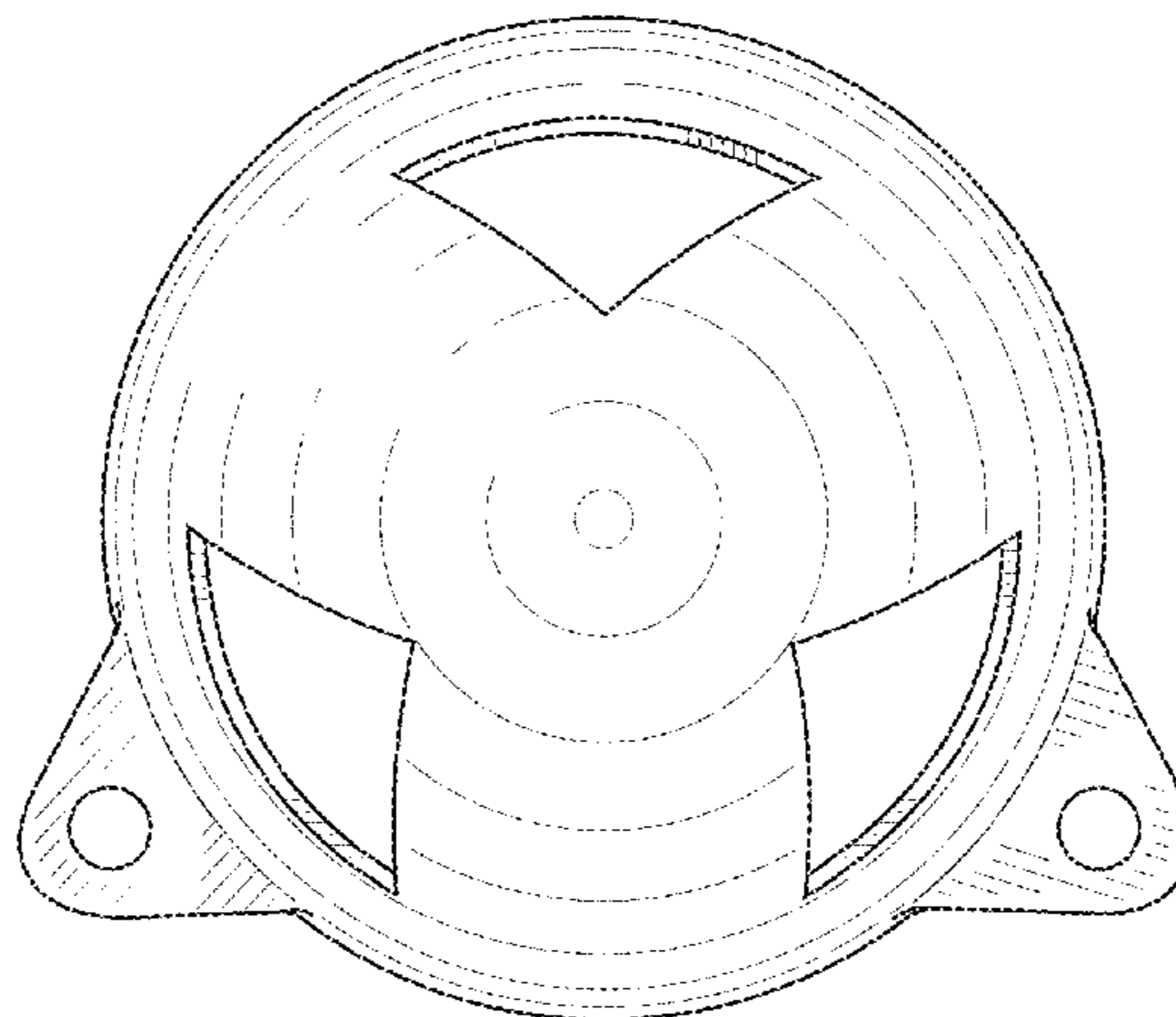
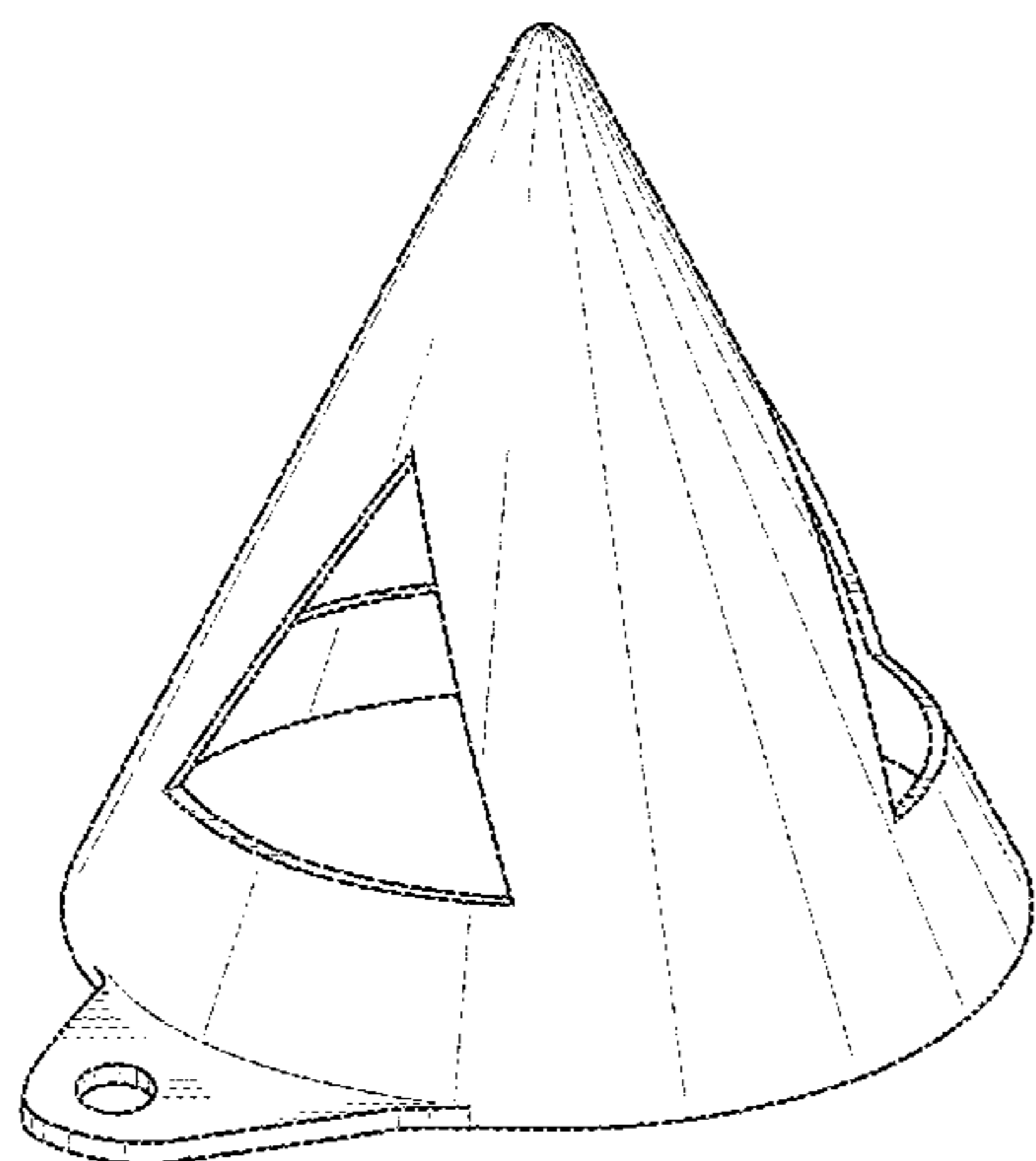
(57) **CLAIM**

I claim the ornamental design for a device for supporting an object, as shown and described.

DESCRIPTION

FIG. 1 is a perspective view of a device for supporting an object showing the new design.
FIG. 2 is a front elevational view thereof.
FIG. 3 is a rear elevational view thereof.
FIG. 4 is a top view thereof; and,
FIG. 5 is a bottom view thereof.

1 Claim, 3 Drawing Sheets



US D669,760 S

Page 2

U.S. PATENT DOCUMENTS			
D224,934 S	*	10/1972 Gilstrap	D30/108
3,779,554 A		12/1973 Brix	
3,782,029 A		1/1974 Bardot	
3,800,735 A		4/1974 Simpson	
D231,787 S		6/1974 Burnley	
3,840,234 A		10/1974 Felsten	
D234,307 S		2/1975 Bowley	
D234,308 S		2/1975 Bowley	
3,940,100 A		2/1976 Haug	
3,974,611 A		8/1976 Satterthwaite	
D242,640 S		12/1976 Mosher	
4,026,087 A		5/1977 White	
D245,279 S		8/1977 Hollendonner	
4,063,725 A		12/1977 Snyder	
D249,240 S		9/1978 Klitzner	
D250,174 S		11/1978 Hedgecock	
D250,687 S		1/1979 Robelen	
4,159,112 A		6/1979 O'Brian et al.	
4,265,261 A	*	5/1981 Barker	135/100
D261,373 S		10/1981 Fisher	
D262,901 S		2/1982 Vukadinovic	
D263,255 S		3/1982 Zima	
4,317,654 A		3/1982 Wahl	
4,323,245 A		4/1982 Beaman	
4,345,761 A		8/1982 China	
4,354,288 A		10/1982 Dennis	
D267,588 S		1/1983 Goodell	
D268,315 S		3/1983 Kirk	
D272,841 S		2/1984 Matsumoto	
D273,095 S		3/1984 Schulze	
4,461,480 A		7/1984 Mitchell	
D275,889 S		10/1984 Nelson	
D276,773 S		12/1984 Rodriguez	
4,558,866 A		12/1985 Alford	
4,761,137 A		8/1988 Taylor et al.	
4,848,263 A		7/1989 Grimm	
D305,343 S		1/1990 Epperson et al.	
4,934,701 A		6/1990 Ting	
D310,497 S		9/1990 Provence, Jr.	
D314,018 S		1/1991 Rosenthal	
D315,186 S	*	3/1991 Peterson	D21/803
D315,773 S		3/1991 Peterson	
5,080,526 A		1/1992 Waters	
D325,168 S		4/1992 Dlabac	
D325,615 S		4/1992 Matsch	
5,184,822 A		2/1993 Bognar et al.	
5,199,375 A		4/1993 Johson	
5,259,695 A		11/1993 Mostkoff	
5,297,012 A		3/1994 Fletcher	
D349,117 S		7/1994 Rasansky et al.	
D350,838 S		9/1994 Johnson	
D351,623 S		10/1994 Seiler	
5,354,224 A		10/1994 Ishiyama	
5,375,845 A		12/1994 Cooter et al.	
5,400,998 A		3/1995 Ma	
5,407,201 A		4/1995 Whitehurst	
D359,587 S		6/1995 Ross	
D367,119 S		2/1996 Trunk	
D367,384 S		2/1996 DiFranco et al.	
D373,528 S		9/1996 Ser Tuen Wei	
D375,421 S		11/1996 Weiner	
D377,606 S		1/1997 Rowe	
D377,852 S	*	2/1997 Iben	D30/118
5,601,645 A		2/1997 Nonomura et al.	
5,615,429 A		4/1997 Williams	
D380,538 S		7/1997 Muller et al.	
D383,864 S		9/1997 Billings	
D389,550 S		1/1998 Williams	
5,769,598 A		6/1998 MacNeil	
5,788,933 A		8/1998 Peddicord	
D400,814 S		11/1998 Sheng	
5,839,590 A	*	11/1998 Weiner	206/577
D403,981 S		1/1999 Dillard	
5,895,304 A		4/1999 Dixon	
D409,414 S		5/1999 Weiner	
D409,687 S		5/1999 Mak	
5,945,161 A		8/1999 Hashimoto et al.	
5,947,786 A		9/1999 Glick	
D417,314 S		11/1999 Smith, Jr.	
D417,329 S		11/1999 Ramadei	
D423,342 S		4/2000 Popesco	
D429,387 S		8/2000 Wise	
6,224,453 B1		5/2001 McKinley et al.	
D443,900 S		6/2001 Eklund	
6,247,424 B1		6/2001 Huang	
D444,728 S		7/2001 Dohrmann	
D445,721 S		7/2001 McLeish et al.	
D447,973 S		9/2001 Dohrmann	
6,425,646 B1		7/2002 Andrews	
D471,832 S		3/2003 Dohrmann	
D478,194 S		8/2003 McGinty	
D482,111 S		11/2003 Laferriere et al.	
D483,200 S		12/2003 Udommahuntisuk	
D492,018 S		6/2004 Schroder	
D493,198 S		7/2004 Starkel	
D504,315 S		4/2005 Lee	
D506,193 S		6/2005 Shoushtari	
6,921,314 B2		7/2005 Miller	
6,931,812 B1		8/2005 Lipscomb	
6,976,768 B2		12/2005 Hewson	
D514,463 S		2/2006 Levine	
D514,971 S		2/2006 Burch et al.	
D515,683 S		2/2006 LaBlaine	
7,047,681 B2		5/2006 Perelli et al.	
D522,348 S		6/2006 Hansen	
D522,898 S		6/2006 Yarski et al.	
D529,377 S		10/2006 Heiss	
D551,116 S		9/2007 Devory, Jr.	
D562,915 S		2/2008 Davis	
D569,076 S		5/2008 Lebrand	
D574,293 S		8/2008 Devory, Jr.	
D574,440 S		8/2008 Goodrich	
D578,379 S		10/2008 Sorkin	
D579,369 S		10/2008 Spataro	
D597,432 S		8/2009 Auberger	
D603,303 S		11/2009 Noble et al.	
D618,738 S		6/2010 Bodin et al.	
D624,154 S		9/2010 Galloway	
D630,137 S		1/2011 Noble et al.	
D630,265 S		1/2011 Bodin et al.	
D632,619 S		2/2011 Noble et al.	
7,931,275 B1		4/2011 Strickland	
D641,617 S	*	7/2011 Steenberg	D9/431
8,061,713 B2		11/2011 Cook	
2004/0159280 A1		8/2004 Mohelsky et al.	
2005/0014112 A1		1/2005 Fentress	
2006/0157544 A1		7/2006 Chomic, Jr. et al.	
2009/0241855 A1		10/2009 Stocki	

* cited by examiner

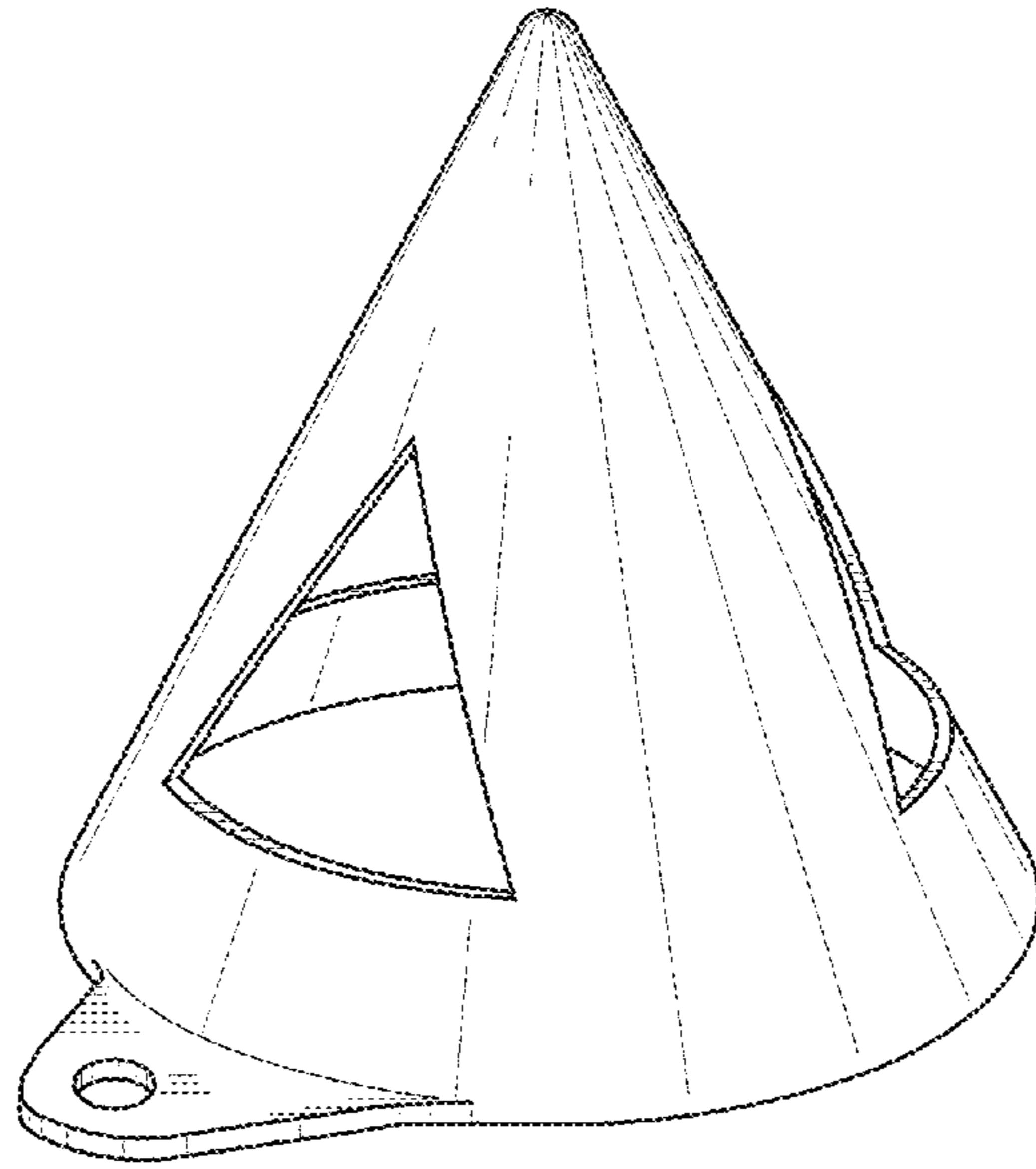


FIG. 1

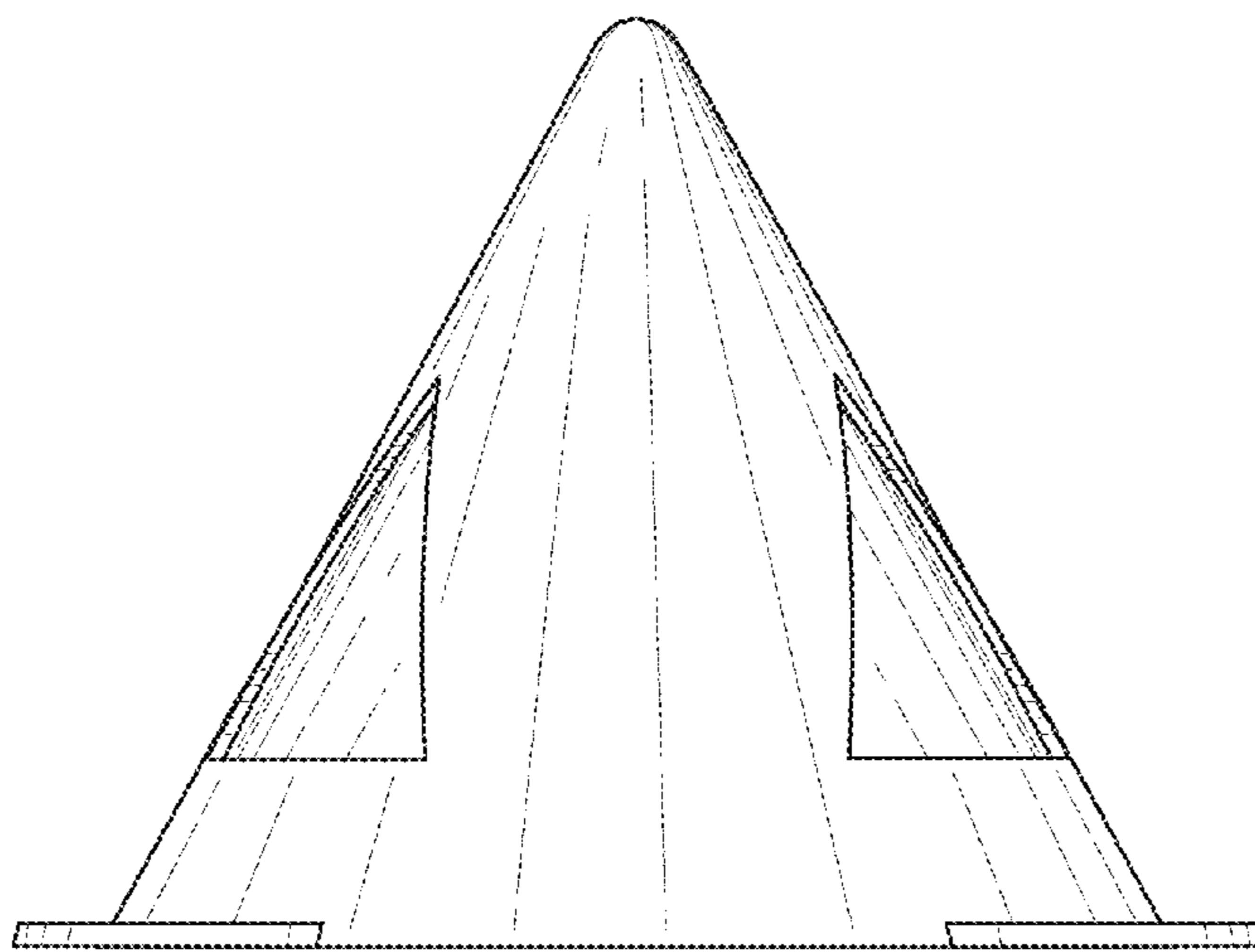


FIG. 2

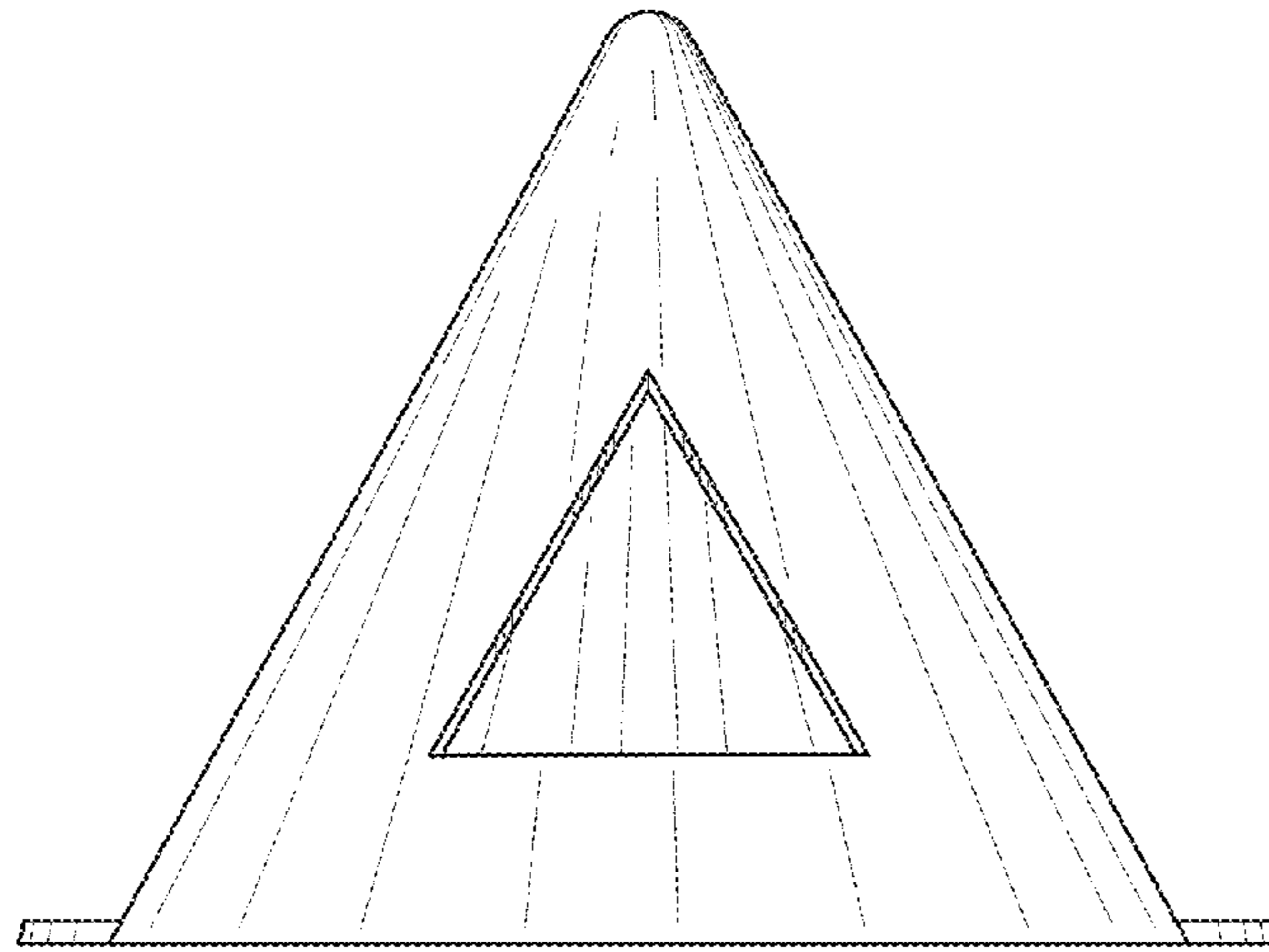


FIG. 3

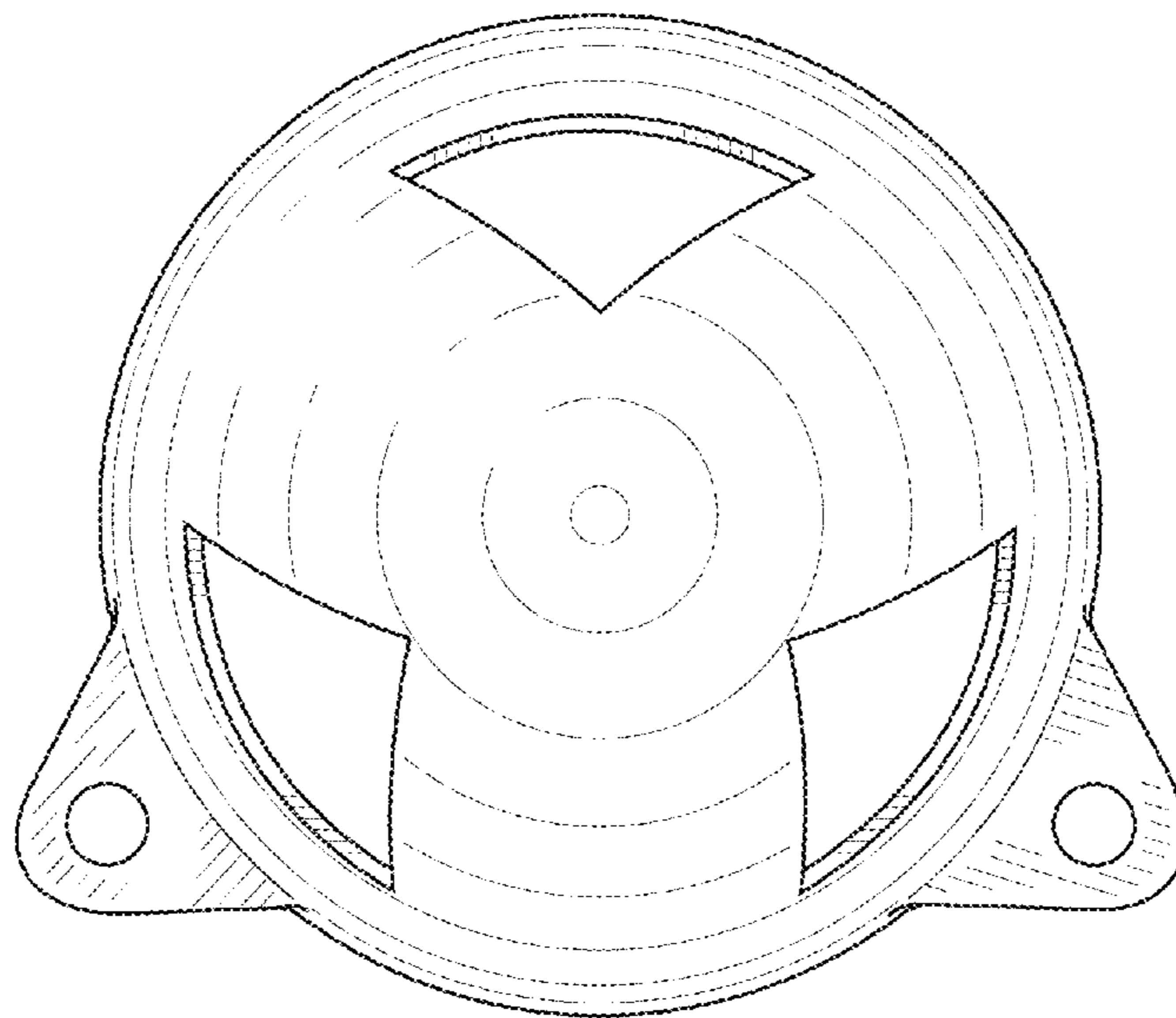


FIG. 4

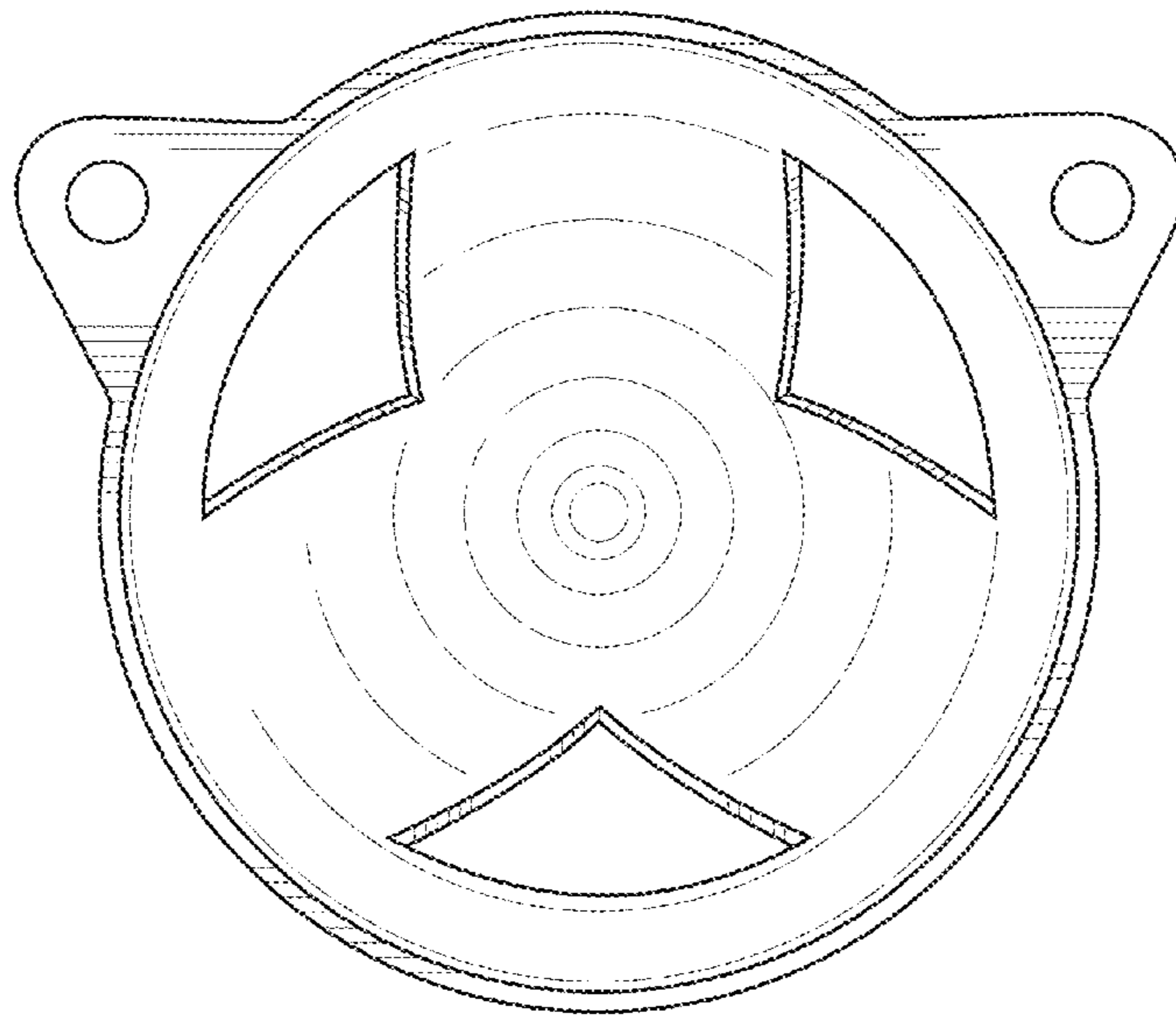


FIG. 5