



US00D669759S

(12) **United States Design Patent**
Castilleja et al.

(10) **Patent No.:** **US D669,759 S**

(45) **Date of Patent:** **** Oct. 30, 2012**

(54) **METAL STACKING BAR**

(75) Inventors: **Daniel Joseph Castilleja**, Albuquerque, NM (US); **Kenneth Costen Babayan**, Los Angeles, CA (US)

(73) Assignee: **David H. Fell & Company**, Los Angeles, CA (US)

(**) Term: **14 Years**

(21) Appl. No.: **29/376,902**

(22) Filed: **Oct. 13, 2010**

(51) **LOC (9) Cl.** **08-05**

(52) **U.S. Cl.** **D8/354; D9/456**

(58) **Field of Classification Search** D8/354, D8/349, 382, 384, 385, 363, 380, 499; 405/251, 405/252, 255, 230; 248/346.5; 249/83; 52/699, 52/250, 274, 285.2, 293.2, 293.3, 295-298, 52/708, 745.2, 745.21, 707, 170, 698, 689, 52/741.15, 378, 712; D9/456; D15/139
See application file for complete search history.

(56) **References Cited**

U.S. PATENT DOCUMENTS

450,378	A *	4/1891	Robinson	451/461
2,075,472	A *	3/1937	Watson et al.	99/645
2,075,473	A *	3/1937	Schwary et al.	99/645
4,335,984	A *	6/1982	Zweekly	407/114
4,555,114	A *	11/1985	Dozier	473/588
D305,239	S *	12/1989	Niebauer	D15/139
5,032,050	A *	7/1991	Niebauer et al.	407/114
5,046,899	A *	9/1991	Nishi	407/102
D338,620	S *	8/1993	Brozowski	D9/430
D345,985	S *	4/1994	Ishikawa et al.	D15/139
D350,808	S *	9/1994	Warshawsky	D23/213
D353,642	S *	12/1994	Callaghan	D21/386
5,476,346	A *	12/1995	Lundstrom	407/114
D380,680	S *	7/1997	Sun	D9/456
D393,270	S *	4/1998	Muren et al.	D15/139

D393,408	S *	4/1998	Mladineo	D8/354
D395,663	S *	6/1998	Muren et al.	D15/139
D400,780	S *	11/1998	Wurdack	D8/374
D401,582	S *	11/1998	Gremchuck	D14/210
D409,632	S *	5/1999	Hartlohner et al.	D15/139
5,947,786	A *	9/1999	Glick	446/85
6,168,356	B1 *	1/2001	Sjoo et al.	407/104
D448,393	S *	9/2001	Hartlohner et al.	D15/139
6,343,898	B1 *	2/2002	Sjoo et al.	407/101
D470,869	S *	2/2003	Pinchot	D15/139
D487,755	S *	3/2004	Kasperik et al.	D15/139
D505,164	S *	5/2005	McCabe	D21/505
D538,357	S *	3/2007	Salmon	D21/505
D544,006	S *	6/2007	Pinchot	D15/139
D544,506	S *	6/2007	Pinchot	D15/139

(Continued)

OTHER PUBLICATIONS

“Scottsdale Stacker Silver Bar”, *You Tube Video*.

(Continued)

Primary Examiner — Mark Goodwin

(74) *Attorney, Agent, or Firm* — Deborah A. Peacock; Isaac Estrada; Peacock Myers, P.C.

(57) **CLAIM**

The ornamental design for a metal stacking bar, as shown and described.

DESCRIPTION

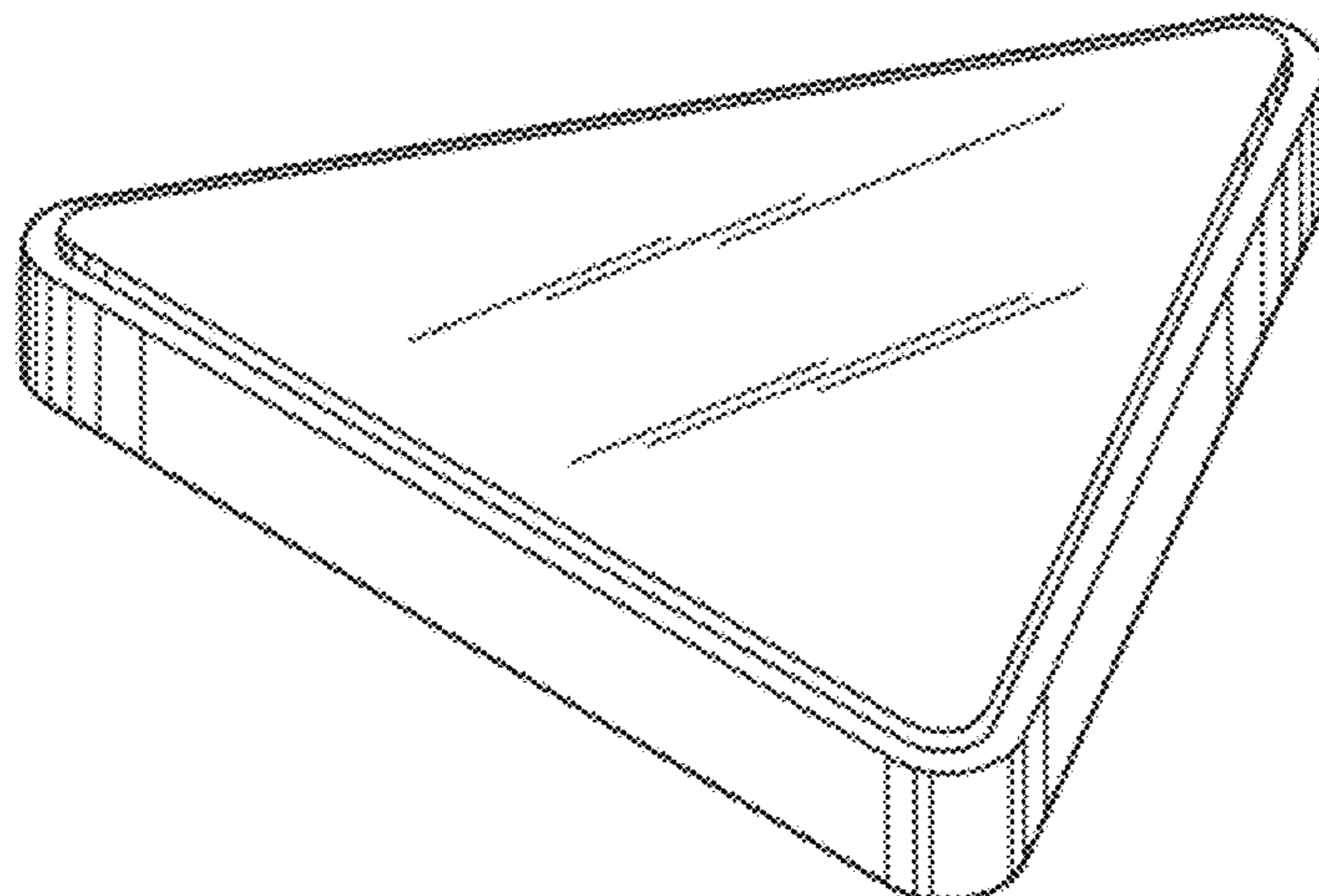
FIG. 1 is a top perspective view of the metal stacking bar showing our new design;

FIG. 2 is a bottom perspective view of the metal stacking bar of FIG. 1;

FIG. 3 is a side view of the metal stacking bar of FIG. 1, all three sides looking the same;

FIG. 4 is a top view of the metal stacking bar of FIG. 1; and, FIG. 5 is a bottom view of the metal stacking bar of FIG. 1.

1 Claim, 5 Drawing Sheets



US D669,759 S

Page 2

U.S. PATENT DOCUMENTS

D547,237 S * 7/2007 Tiede D12/7
D562,385 S * 2/2008 Camillo D19/41
D570,410 S * 6/2008 Moro D19/41
D594,512 S * 6/2009 Richards et al. D21/484
D598,756 S * 8/2009 Robichaud et al. D9/456
D628,218 S * 11/2010 Tommassini D15/138
2002/0002886 A1* 1/2002 Hansson et al. 82/161
2002/0050482 A1* 5/2002 Kamdar et al. 215/379

2003/0077131 A1* 4/2003 Wiman et al. 407/114
2004/0084839 A1* 5/2004 Yang 273/157 R
2005/0254908 A1* 11/2005 Norstrom et al. 407/113
2008/0075543 A1* 3/2008 Zhu et al. 407/119

OTHER PUBLICATIONS

“Triangle Gold Bars”, www.tulving.com/bullion/ntr.

* cited by examiner

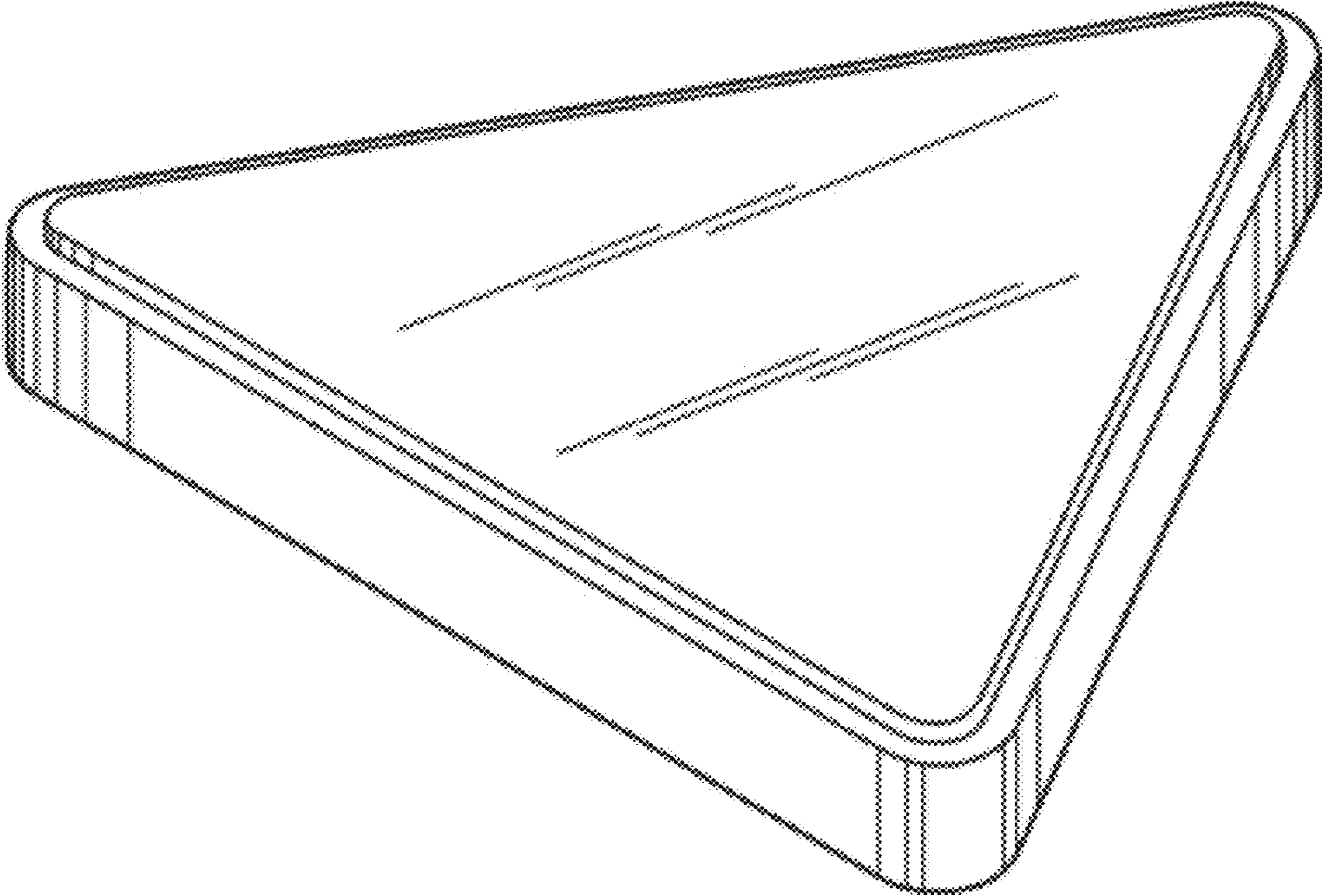


FIG. 1

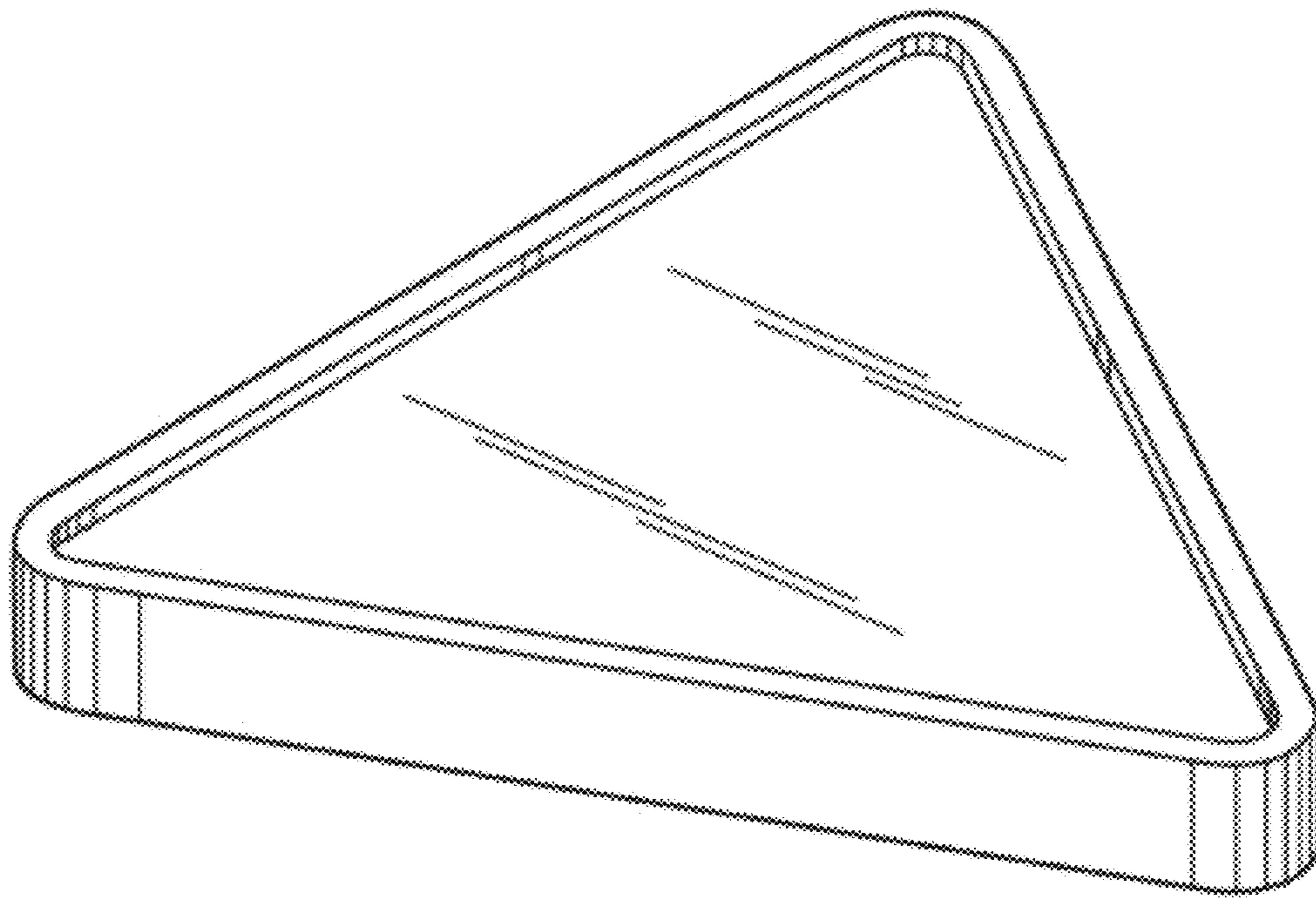


FIG. 2

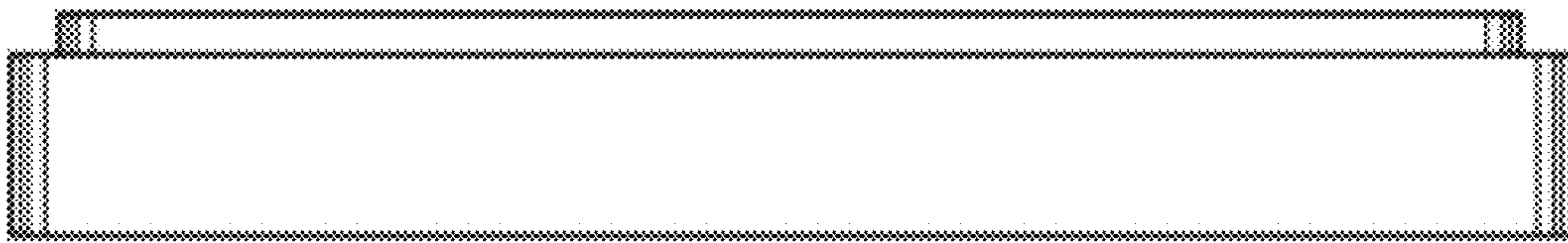


FIG. 3

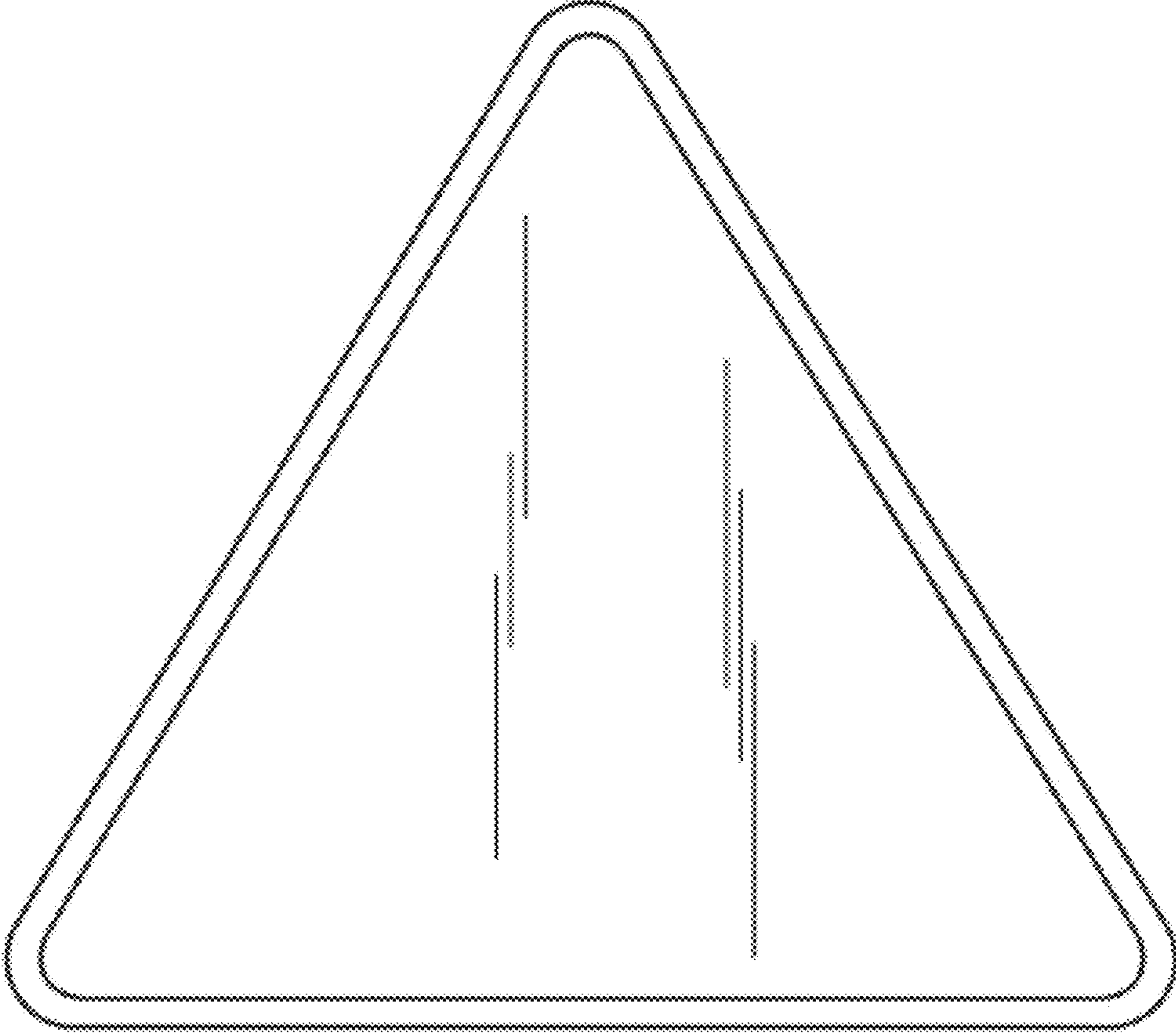


FIG. 4

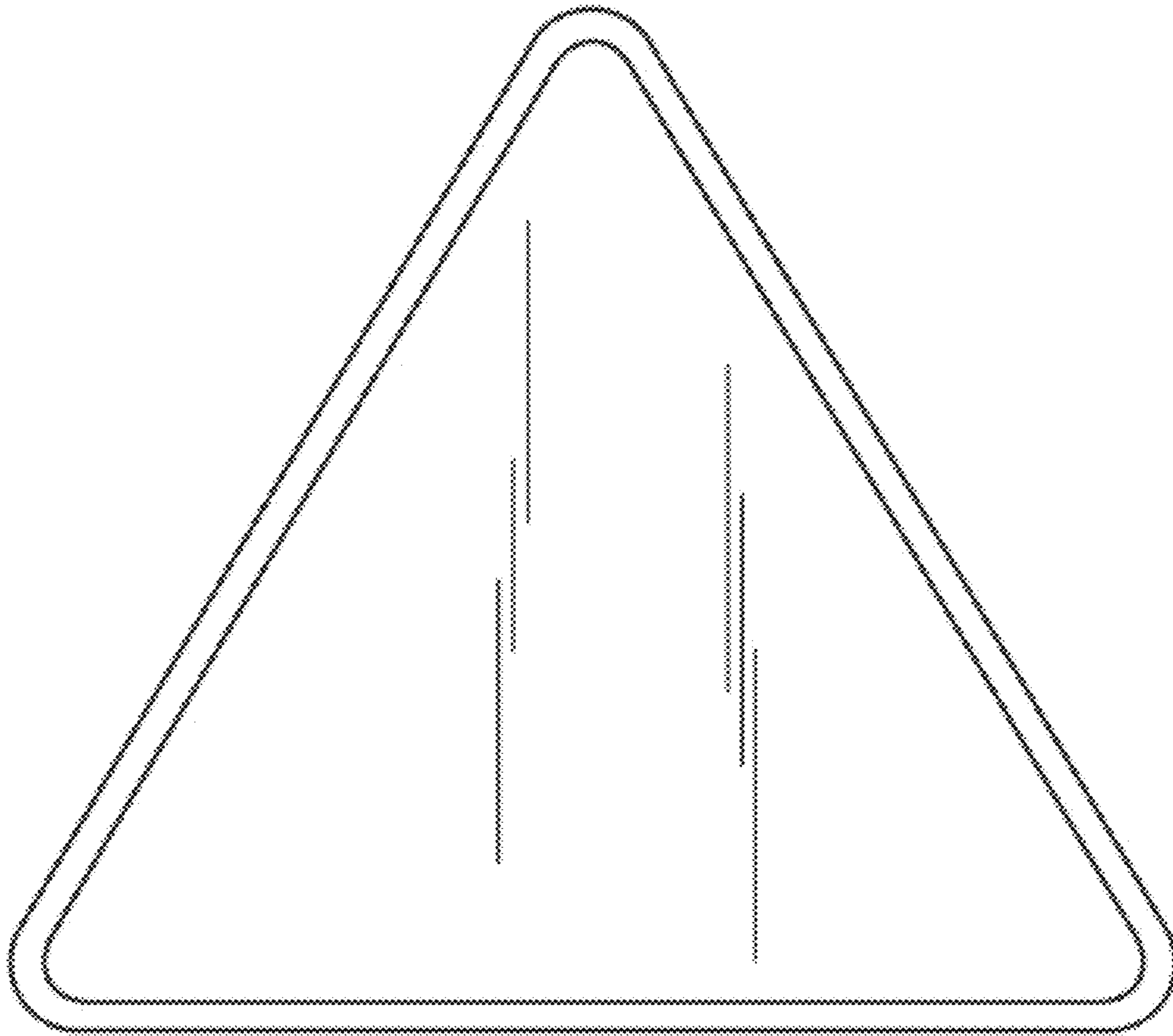


FIG. 5