

US00D669757S

(12) **United States Design Patent**  
**Dent**

(10) **Patent No.:** **US D669,757 S**  
(45) **Date of Patent:** **\*\* Oct. 30, 2012**

(54) **REMOTE LOCK ACTUATOR**

(76) Inventor: **Valerie Dent**, Hyattsville, MD (US)

(\*\*) Term: **14 Years**

(21) Appl. No.: **29/403,262**

(22) Filed: **Oct. 4, 2011**

(51) **LOC (9) Cl.** ..... **08-07**

(52) **U.S. Cl.** ..... **D8/330; D8/331**

(58) **Field of Classification Search** ..... D8/301,  
D8/302, 330, 331, 349, 400, 499; 70/57,  
70/57.1, 14, 20, 91, 92, 102, 141, 237, 262,  
70/263, 266, 278.1, 279.1, 416, 465, 442,  
70/443; 340/5.6, 5.61, 5.64, 5.73, 286.01,  
340/542, 547, 545.1, 545.7; 292/336.3

See application file for complete search history.

(56) **References Cited**

**U.S. PATENT DOCUMENTS**

4,270,783 A \* 6/1981 Sorensen et al. .... 292/336.3  
4,293,640 A \* 10/1981 Weinberg ..... 430/421  
5,477,214 A \* 12/1995 Bartel ..... 340/5.64  
5,855,130 A \* 1/1999 Rorabacher et al. .... 70/277

6,739,633 B2 \* 5/2004 Holloway et al. .... 292/199  
6,963,281 B2 \* 11/2005 Buckley ..... 340/547  
8,025,096 B2 \* 9/2011 Kang et al. .... 165/202  
8,058,971 B2 \* 11/2011 Harkins et al. .... 340/5.73  
8,063,735 B2 \* 11/2011 Shoenfeld ..... 340/5.73

\* cited by examiner

*Primary Examiner* — Prabhakar Deshmukh

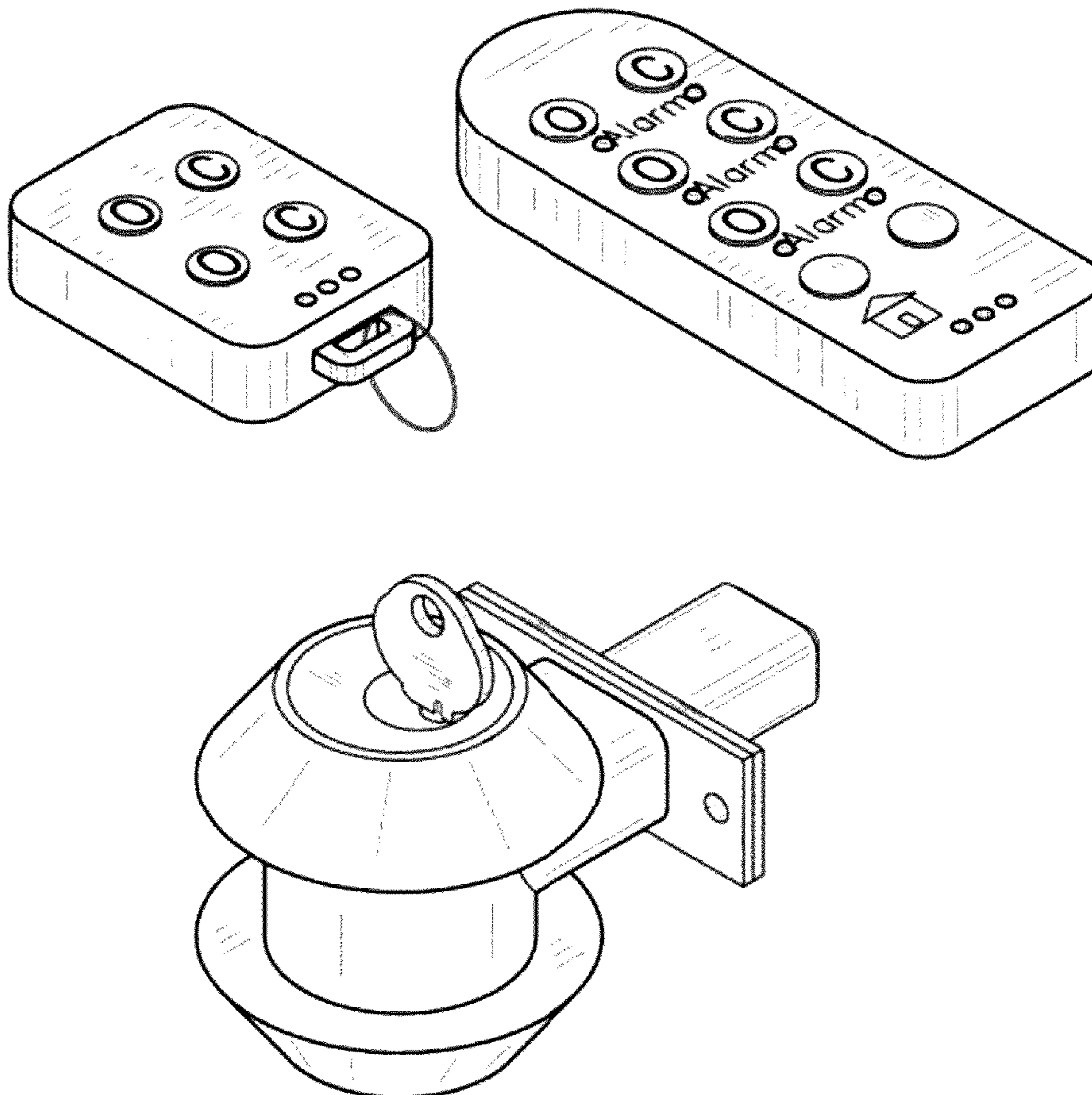
(57) **CLAIM**

I claim the ornamental design for a remote lock actuator, as shown and described.

**DESCRIPTION**

FIG. 1 is a front elevational view of a remote lock actuator showing my new design;  
FIG. 2 is a rear elevational view thereof;  
FIG. 3 is a left side elevational view thereof;  
FIG. 4 is a right side elevational view thereof;  
FIG. 5 is a top plan view thereof;  
FIG. 6 is a bottom plan view thereof; and,  
FIG. 7 is a perspective view thereof.

**1 Claim, 7 Drawing Sheets**



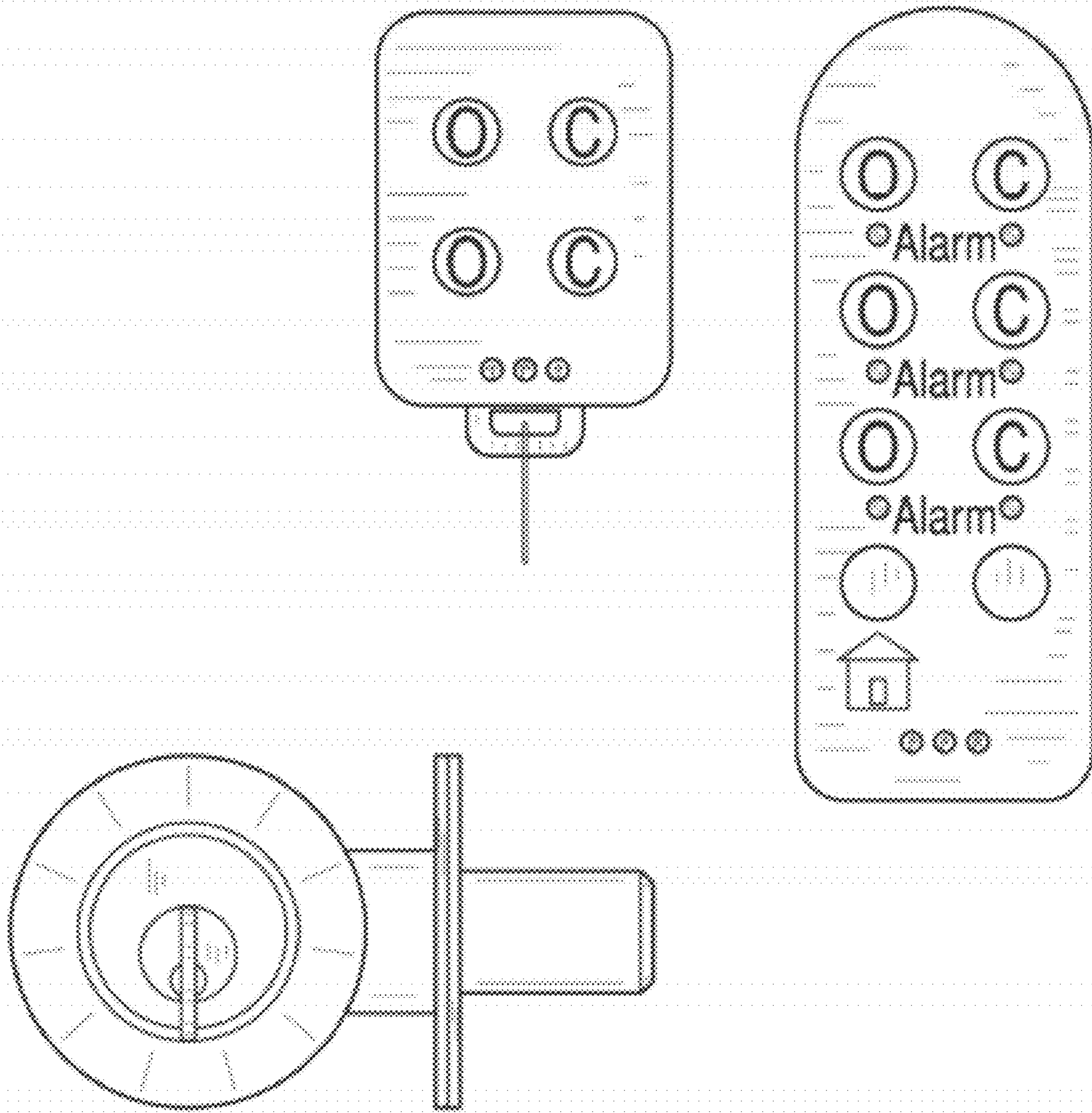


FIG. 1

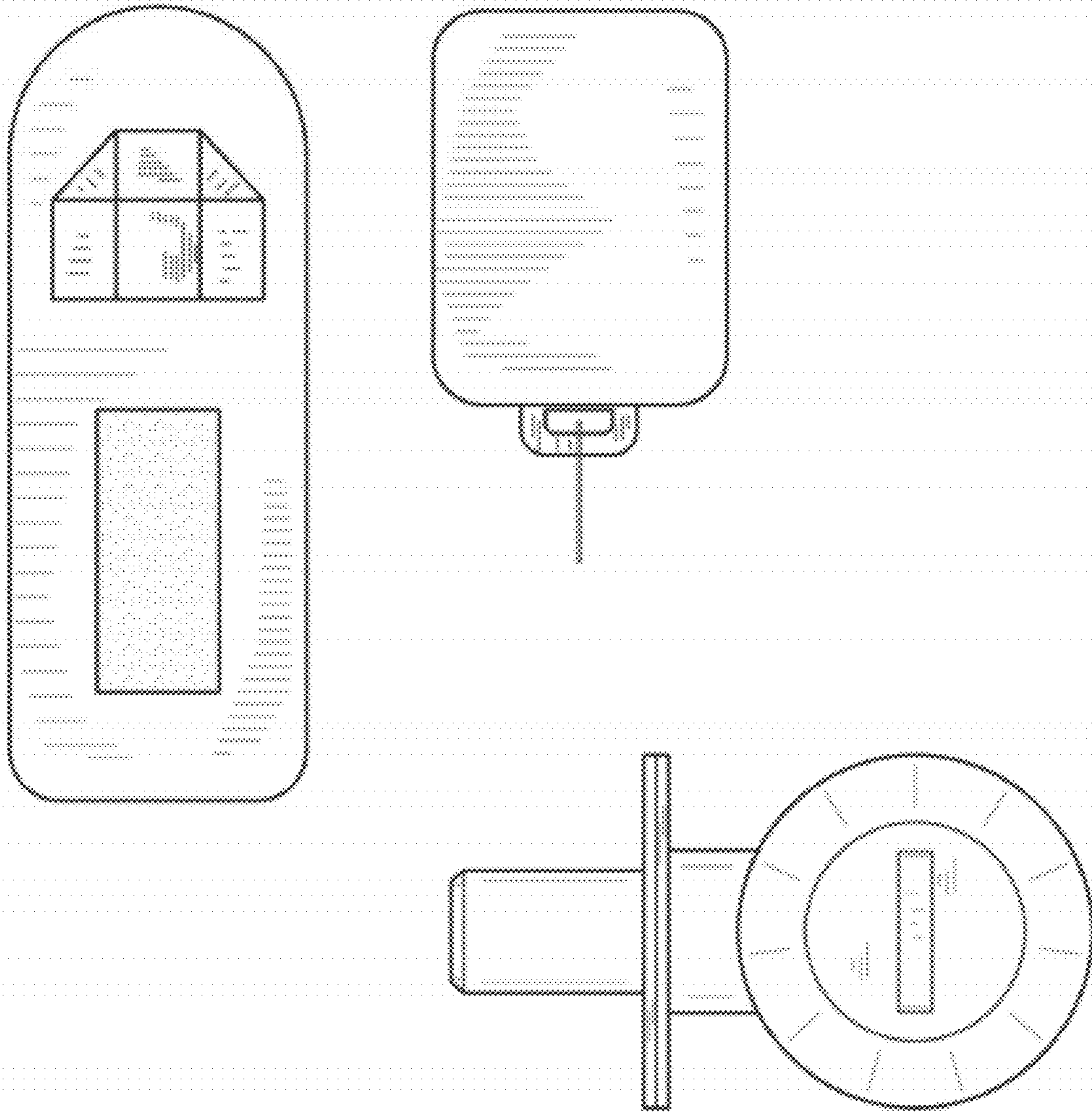


FIG. 2

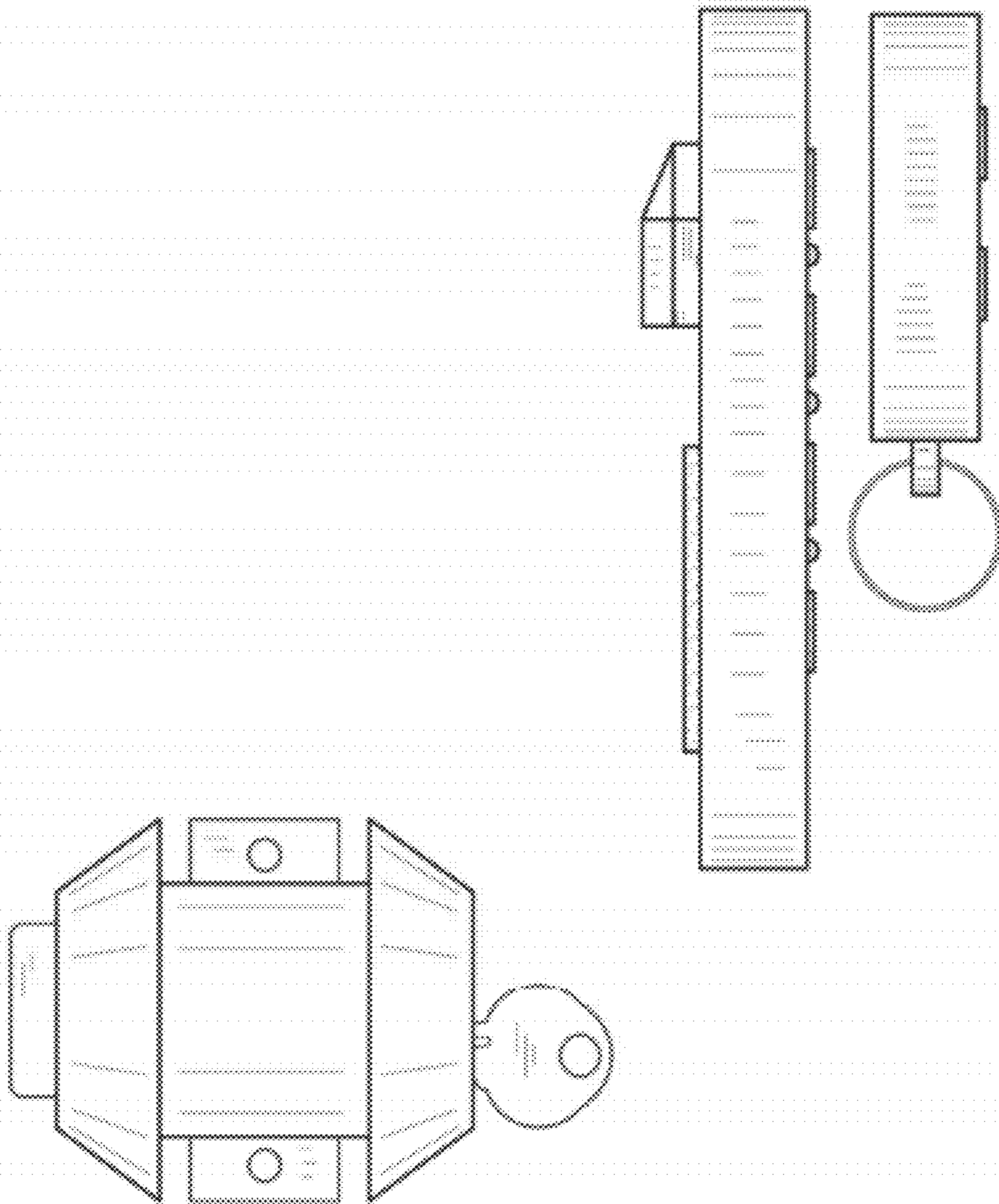


FIG. 3

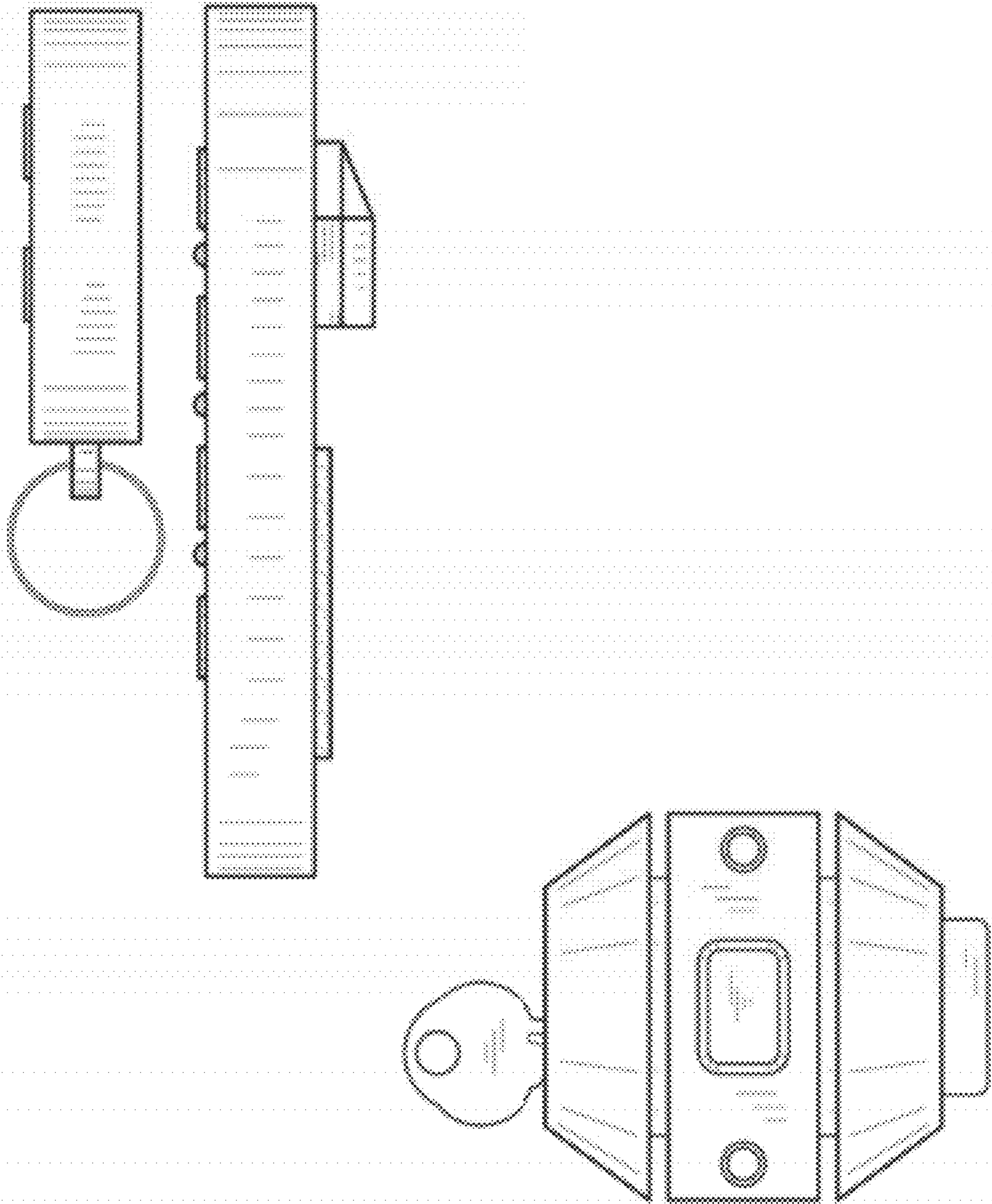


FIG. 4

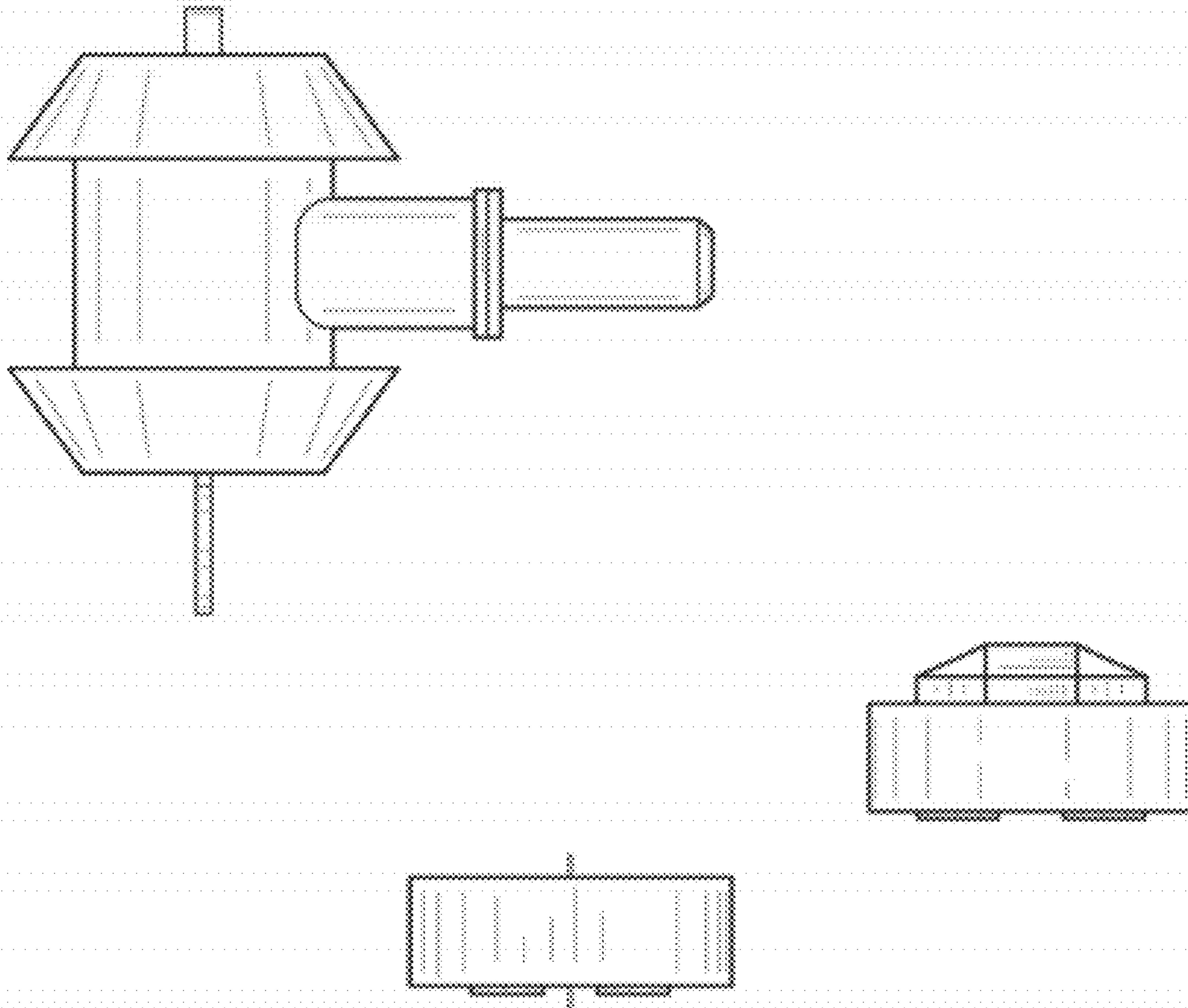


FIG. 5

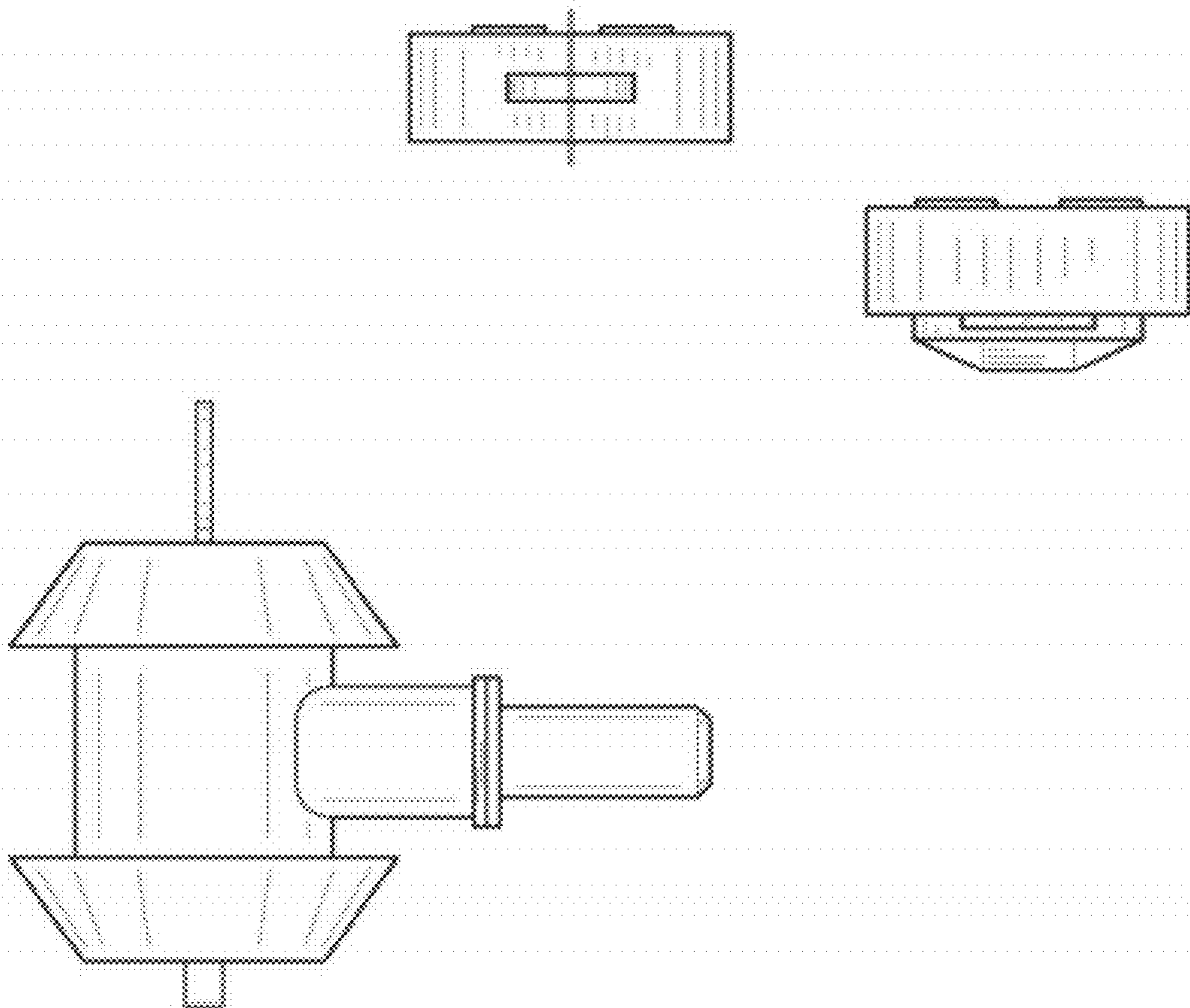


FIG. 6

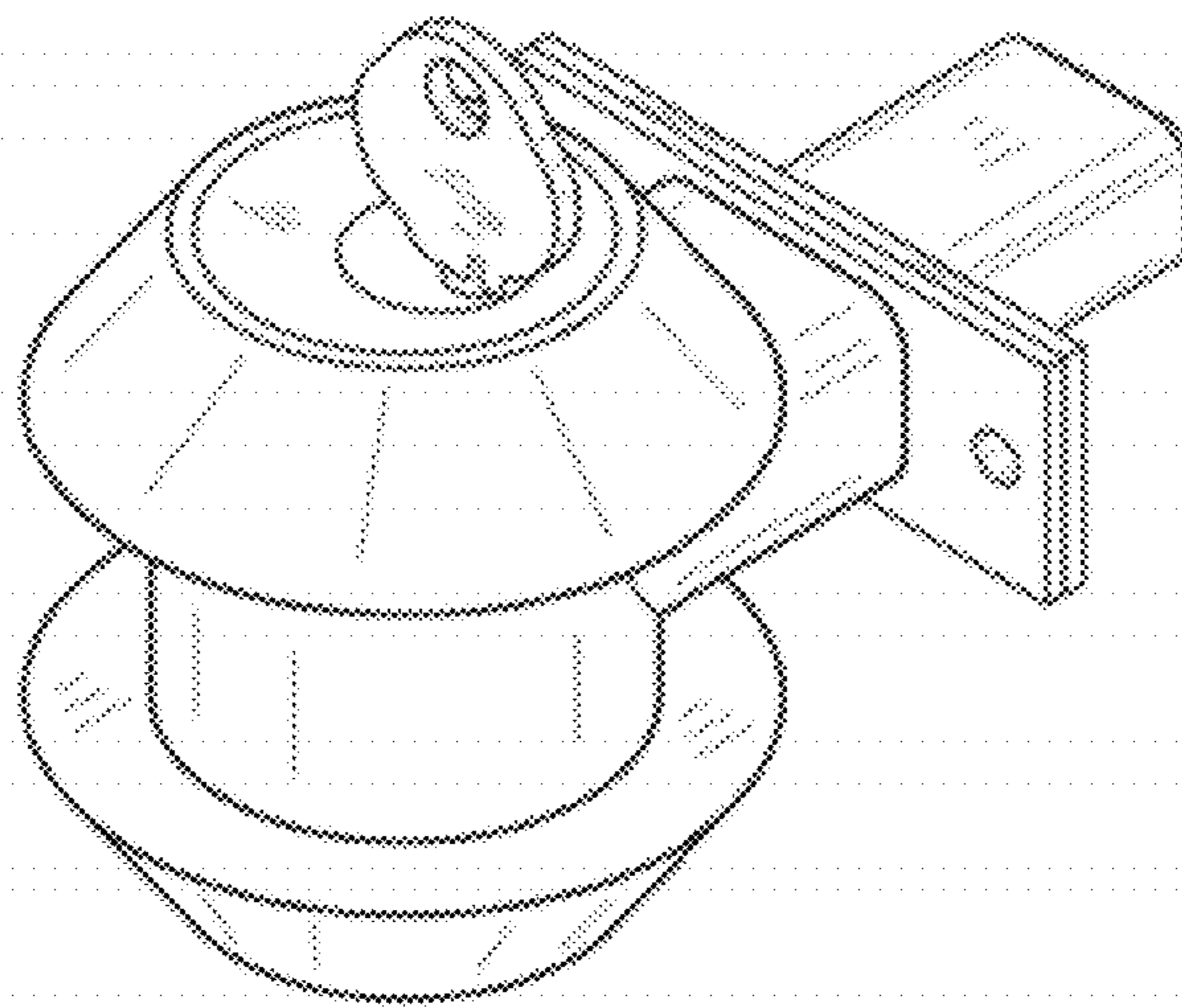
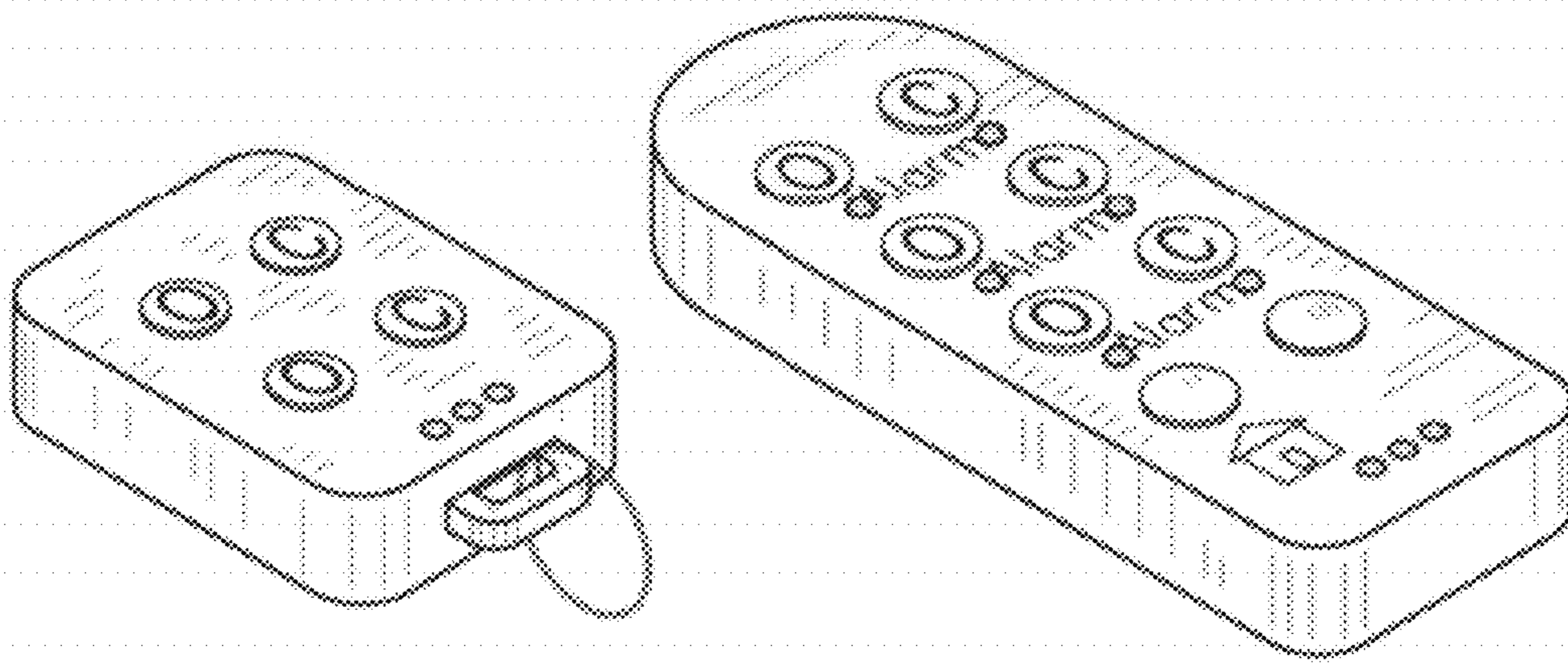


FIG. 7