

US00D669754S

(12) **United States Design Patent**  
**Wackwitz**

(10) **Patent No.:** **US D669,754 S**  
(45) **Date of Patent:** **\*\* Oct. 30, 2012**

(54) **ACCESSORY**

(75) Inventor: **Jeffrey M. Wackwitz**, Waukesha, WI  
(US)

(73) Assignee: **Milwaukee Electric Tool Corporation**,  
Brookfield, WI (US)

(\*\*) Term: **14 Years**

(21) Appl. No.: **29/388,254**

(22) Filed: **Mar. 25, 2011**

**Related U.S. Application Data**

(62) Division of application No. 29/375,918, filed on Sep. 29, 2010, now Pat. No. Des. 651,062.

(51) **LOC (9) Cl.** ..... **08-05**

(52) **U.S. Cl.** ..... **D8/70**

(58) **Field of Classification Search** ..... D8/70;  
D15/140; 30/166.3, 169, 272.1, 277.4, 294,  
30/339, 347, 389, 392; 83/665, 666, 676,  
83/835, 886; 125/15, 25, 13.01; 403/3, 316,  
403/359.3, 163; 451/8, 28, 57, 163, 294,  
451/342, 344, 349, 353, 356, 357, 359, 360,  
451/41, 490, 494, 508, 509, 510, 511, 548,  
451/559

See application file for complete search history.

(56) **References Cited**

**U.S. PATENT DOCUMENTS**

81,661 A	9/1868	McDonald
197,650 A	11/1877	Milligan
223,103 A	12/1879	Berstler
241,178 A	5/1881	Amazeen
390,134 A	9/1888	Miller
519,892 A	5/1894	Newton
742,000 A	10/1903	Brooks

1,947,662 A	2/1934	Robinson
2,132,917 A	10/1938	Albertson
2,550,768 A	5/1951	Burleigh
2,649,868 A	8/1953	Gommel
2,822,648 A	2/1958	Metzger et al.
2,846,826 A	8/1958	Miller
2,854,042 A	9/1958	Robinson
2,912,021 A	11/1959	Gommel
2,997,819 A	8/1961	Schacht

(Continued)

**FOREIGN PATENT DOCUMENTS**

DE 10061559 A1 6/2002

(Continued)

**OTHER PUBLICATIONS**

Milwaukee Electric Tool Corporation, Bosch tool, photo, 2010.

(Continued)

*Primary Examiner* — Antoine D Davis

(74) *Attorney, Agent, or Firm* — Michael Best & Friedrich LLP

(57) **CLAIM**

I claim the ornamental design for an accessory, as shown.

**DESCRIPTION**

FIG. 1 is a perspective view of an accessory, such as a sanding pad, having a tool interface.

FIG. 2 is a top view of the accessory shown in FIG. 1.

FIG. 3 is a bottom view of the accessory shown in FIG. 1.

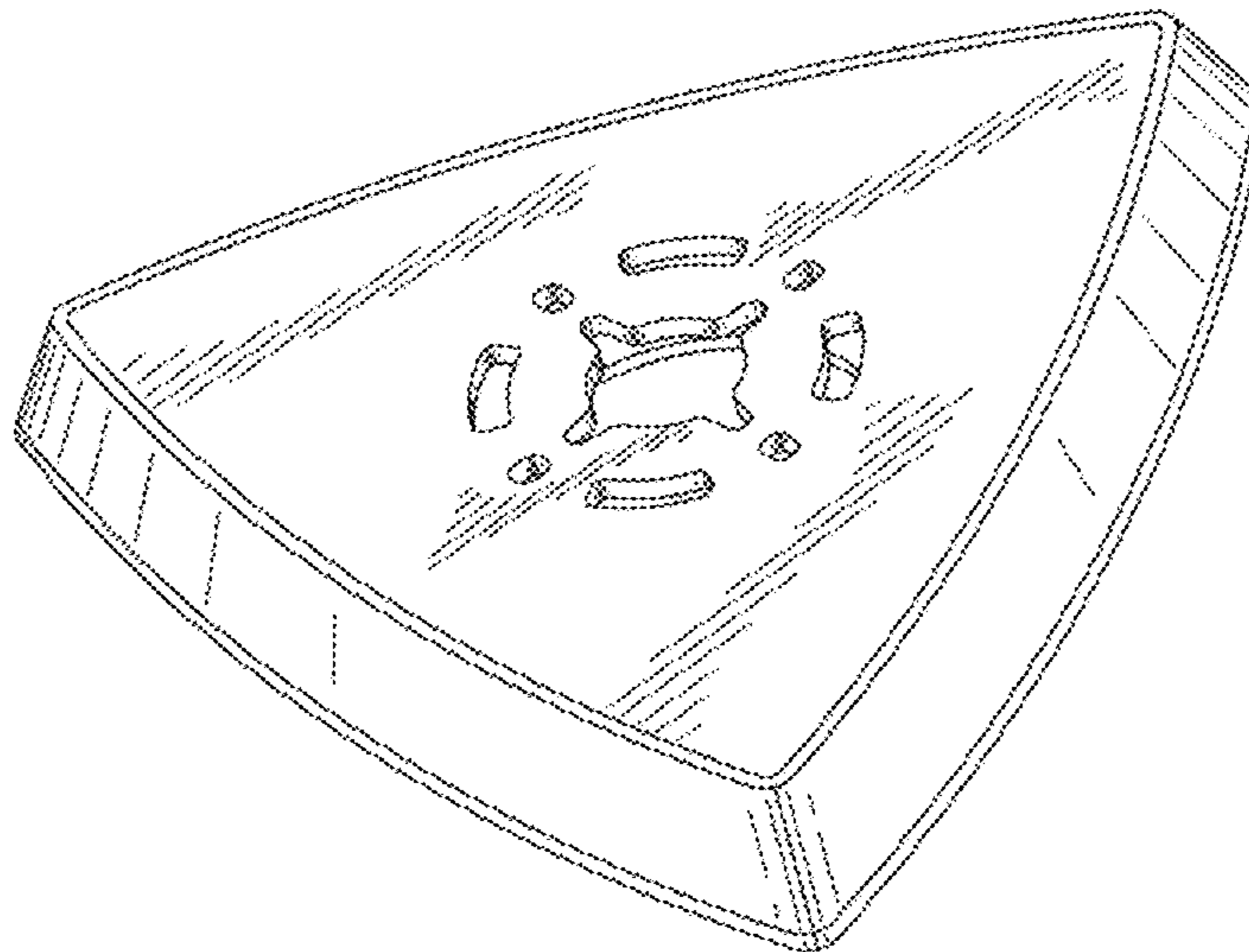
FIG. 4 is a rear view of the accessory shown in FIG. 1.

FIG. 5 is a front view of the accessory shown in FIG. 1.

FIG. 6 is a right side view of the accessory shown in FIG. 1; and,

FIG. 7 is a left side view of the accessory shown in FIG. 1.

**1 Claim, 3 Drawing Sheets**



**US D669,754 S**

Page 2

U.S. PATENT DOCUMENTS						
			D435,571 S *	12/2000	Dibbern et al.	..... D15/140
3,041,797 A	7/1962	Moffly	6,155,916 A	12/2000	Rudolf et al.	
3,308,703 A	3/1967	Sauer	6,159,084 A	12/2000	Tiede	
3,440,915 A	4/1969	Weyant	6,257,969 B1	7/2001	Bosten et al.	
3,623,281 A	11/1971	Moffat	6,277,012 B1	8/2001	Halliley	
3,667,169 A	6/1972	MacKay, Jr.	6,293,859 B1	9/2001	Fink et al.	
3,908,499 A	9/1975	Reed	6,299,078 B1	10/2001	Fugere	
3,943,934 A	3/1976	Bent	6,306,024 B1	10/2001	Kai et al.	
4,015,371 A	4/1977	Grayston	6,332,836 B1	12/2001	Tseng	
4,343,214 A	8/1982	Schadlich	6,340,022 B1	1/2002	Schroer	
4,361,956 A *	12/1982	Kirk ..... 30/166.3	6,349,446 B1	2/2002	Krause et al.	
4,393,626 A	7/1983	Schroer	6,361,424 B1	3/2002	Manor et al.	
4,432,264 A	2/1984	Scott	6,371,837 B1	4/2002	Luedeke	
4,436,006 A	3/1984	Nakamura et al.	6,379,236 B1	4/2002	Takizawa et al.	
4,436,009 A	3/1984	Ask	6,401,342 B1	6/2002	Kloss et al.	
4,461,195 A	7/1984	Barnick	D466,597 S	12/2002	Carr	
D276,310 S	11/1984	Frieberg	D467,845 S	12/2002	Pfeiffer et al.	
4,497,141 A	2/1985	Jarby	6,503,253 B1	1/2003	Fletcher et al.	
4,637,170 A	1/1987	Block	6,520,055 B1	2/2003	Reusch et al.	
4,637,391 A *	1/1987	Schlein ..... 30/166.3	6,523,214 B1	2/2003	Kaiser	
4,657,428 A	4/1987	Wiley	6,533,650 B2	3/2003	Yoshida et al.	
4,683,683 A	8/1987	Block	6,569,001 B2	5/2003	Rudolf et al.	
4,700,478 A	10/1987	Mezger et al.	6,629,484 B2	10/2003	Soyama et al.	
4,706,386 A	11/1987	Wiley	6,640,377 B2	11/2003	Krause et al.	
4,730,952 A	3/1988	Wiley	D486,839 S	2/2004	Sunagawa et al.	
4,787,147 A	11/1988	Wiley	6,699,112 B2	3/2004	Bergner et al.	
4,852,261 A	8/1989	Wittek	6,723,101 B2	4/2004	Fletcher et al.	
4,905,420 A	3/1990	Flachenecker et al.	6,749,493 B2	6/2004	Wuensch	
D308,011 S	5/1990	Norris	D493,683 S	8/2004	Hortenbury et al.	
4,989,320 A	2/1991	Borkott et al.	6,780,093 B2	8/2004	Krondorfer et al.	
D315,667 S	3/1991	Johnson	6,786,811 B2	9/2004	Krondorfer et al.	
5,038,478 A	8/1991	Mezger et al.	6,796,888 B2	9/2004	Jasch	
D327,111 S	6/1992	Hemming	6,802,127 B2	10/2004	Thomaschewski	
5,263,283 A	11/1993	Rudolf et al.	6,802,764 B2	10/2004	Besch	
5,265,340 A	11/1993	Nitz et al.	6,814,655 B2	11/2004	Hofmann et al.	
5,292,352 A	3/1994	Rudolf et al.	6,814,657 B2	11/2004	Spangenberg et al.	
5,303,688 A	4/1994	Chiuminatta et al.	6,827,074 B2	12/2004	Gardner	
5,309,805 A	5/1994	Mezger et al.	6,860,792 B2	3/2005	Krondorfer et al.	
5,319,886 A	6/1994	Steere, Jr.	6,869,346 B2	3/2005	Wendt et al.	
5,366,312 A	11/1994	Raines	6,902,471 B2	6/2005	Krondorfer et al.	
5,373,834 A	12/1994	Chiuminatta et al.	6,942,558 B2	9/2005	Wuensch	
5,382,249 A	1/1995	Fletcher	6,942,560 B2	9/2005	Hofmann et al.	
D362,065 S	9/1995	Goris	6,945,862 B2	9/2005	Jasch et al.	
5,468,247 A	11/1995	Matthai et al.	7,000,606 B2	2/2006	Gardner	
5,477,845 A	12/1995	Zuzelo	7,077,734 B2	7/2006	Tiede et al.	
5,482,499 A	1/1996	Satoh	7,077,735 B2	7/2006	Krondorfer et al.	
5,491,896 A	2/1996	Stolzer et al.	7,097,548 B2	8/2006	Krondorfer et al.	
5,496,316 A	3/1996	Goris	D528,407 S	9/2006	Schwab	
5,554,066 A	9/1996	Bosten et al.	7,108,077 B2	9/2006	Zaiser	
5,555,788 A	9/1996	Gakhar et al.	7,115,027 B2	10/2006	Thomaschewski	
5,597,347 A	1/1997	Bosten et al.	7,115,028 B1	10/2006	Chen	
5,601,483 A	2/1997	Rudolf et al.	7,137,329 B1	11/2006	Moser	
5,626,510 A	5/1997	Bergner et al.	7,143,760 B2	12/2006	Gardner	
5,637,034 A	6/1997	Everts et al.	7,169,025 B2	1/2007	Schumacher	
5,681,213 A	10/1997	Hashii	7,201,644 B2	4/2007	Gardner	
5,694,693 A	12/1997	Hutchins et al.	7,207,873 B2	4/2007	Hesse et al.	
5,702,415 A	12/1997	Matthai et al.	7,217,177 B2	5/2007	Frech et al.	
5,709,595 A	1/1998	Bergner et al.	7,273,412 B1	9/2007	Sun et al.	
5,729,904 A	3/1998	Trott	7,313,838 B2	1/2008	Long et al.	
5,743,791 A	4/1998	Bosten et al.	D563,186 S	3/2008	Ahn	
5,749,770 A	5/1998	Uzumcu et al.	7,402,095 B2	7/2008	Gardner	
5,759,094 A	6/1998	Bosten et al.	7,438,629 B2	10/2008	Bosten et al.	
5,842,278 A	12/1998	Gmeilbauer	7,506,877 B1	3/2009	Henderson et al.	
5,846,244 A	12/1998	Cripe	7,510,464 B2	3/2009	Stierle et al.	
5,901,629 A	5/1999	Stroud	7,527,628 B2	5/2009	Fletcher et al.	
5,911,620 A	6/1999	Spangenberg et al.	7,588,484 B2	9/2009	Momosaki	
5,967,886 A	10/1999	Wuensch et al.	D609,545 S	2/2010	Ueno et al.	
D417,598 S *	12/1999	Dibbern et al. .... D8/70	D619,152 S	7/2010	Evatt et al.	
6,004,194 A	12/1999	Hild et al.	D621,427 S	8/2010	Dow et al.	
6,022,353 A	2/2000	Fletcher et al.	D623,034 S	9/2010	Evatt et al.	
D421,566 S *	3/2000	Achterberg ..... D8/70	D626,978 S	11/2010	Huh	
6,042,460 A	3/2000	Bosten et al.	D628,218 S *	11/2010	Tommassini ..... D15/138	
D424,076 S *	5/2000	Dibbern et al. .... D8/70	D633,769 S	3/2011	Evatt et al.	
D427,042 S *	6/2000	Dibbern et al. .... D8/70	2002/0016143 A1	2/2002	Bosten et al.	
6,099,311 A	8/2000	Wagner et al.	2002/0022444 A1	2/2002	Littlefield	
6,099,397 A	8/2000	Wurst	2002/0066351 A1	6/2002	Sumida et al.	
6,110,028 A	8/2000	Chung	2003/0000716 A1	1/2003	Hofmann et al.	
6,129,618 A	10/2000	Frech	2003/0153254 A1	8/2003	Bosten et al.	
6,142,858 A	11/2000	Luedeke	2004/0192180 A1	9/2004	Bosten et al.	

2004/0243136 A1 12/2004 Gupta et al.  
 2005/0153640 A1 7/2005 Stein et al.  
 2006/0150428 A1 7/2006 Baculy  
 2006/0272468 A1 12/2006 Gupta et al.  
 2007/0079489 A1 4/2007 Cirino  
 2007/0094877 A1 5/2007 Bohne et al.  
 2007/0295156 A1 12/2007 Ziegler et al.  
 2008/0003929 A1 1/2008 Degen  
 2008/0017007 A1 1/2008 Weber et al.  
 2008/0029134 A1 2/2008 Long et al.  
 2008/0057846 A1 3/2008 Schumacher  
 2008/0160886 A1 7/2008 Palushaj  
 2008/0190259 A1 8/2008 Bohne  
 2008/0210212 A1 9/2008 Baratta  
 2009/0013540 A1 1/2009 Bohne  
 2009/0023371 A1 1/2009 Blickle et al.  
 2009/0083916 A1 4/2009 Lampka et al.  
 2009/0191799 A1 7/2009 Rivard  
 2009/0209186 A1 8/2009 Krauss et al.  
 2009/0293696 A1 12/2009 Rauscher et al.  
 2009/0318065 A1 12/2009 Zaiser et al.  
 2010/0009613 A1 1/2010 Frueh et al.  
 2010/0052269 A1 3/2010 Zaiser et al.  
 2010/0056029 A1 3/2010 Grunikiewicz

FOREIGN PATENT DOCUMENTS

DE 20309329 U1 8/2003  
 DE 102004050798 A1 4/2006  
 DE 202006013890 U1 11/2006  
 DE 102006021969 A1 11/2007  
 DE 102007039367 A1 3/2008  
 DE 102007018467 A1 10/2008  
 DE 102007036786 A1 10/2008  
 DE 102007035045 A1 1/2009  
 DE 202007018679 U1 1/2009  
 DE 102008027671 A1 12/2009  
 EP 1213107 A1 6/2002

EP 1302286 A1 4/2003  
 EP 1852218 A1 11/2007  
 EP 2017036 A1 1/2009  
 EP 2143531 A1 1/2010  
 EP 2159000 A1 3/2010  
 WO 2008128813 A1 10/2008  
 WO 2008128862 A1 10/2008

OTHER PUBLICATIONS

Milwaukee Electric Tool Corporation, Bosch tool and accessories, photo, 2010.  
 Milwaukee Electric Tool Corporation, Bosch tool and adapter, photo, 2010.  
 Milwaukee Electric Tool Corporation, Rockwell tool, photo, 2010.  
 Milwaukee Electric Tool Corporation, Rockwell tool and accessories, photo, 2010.  
 Milwaukee Electric Tool Corporation, Craftsman tool, photo, 2010.  
 Milwaukee Electric Tool Corporation, Craftsman tool and accessories, photo, 2010.  
 Milwaukee Electric Tool Corporation, Dremel tool, photo, 2010.  
 Milwaukee Electric Tool Corporation, Dremel tool and accessories, photo, 2010.  
 Milwaukee Electric Tool Corporation, Fein tool, photo, 2010.  
 Milwaukee Electric Tool Corporation, Fein tool and accessories, photo, 2010.  
 EP Designs 000535174-0001 and 000535174-0002 for cutting discs, show at <http://oami.europa.eu/RCDOOnline/RequestManager>.  
 Bosch, Plunge cut blade, photo.  
 Bosch, Scraper blade, photo.  
 Bosch, Flush cut blade, photo.  
 Bosch, Grout blade, photo.  
 Notice of Allowance from the United States Patent Office for U.S. Appl. No. 29/375,916 dated Sep. 22, 2011 (8 pages).

\* cited by examiner

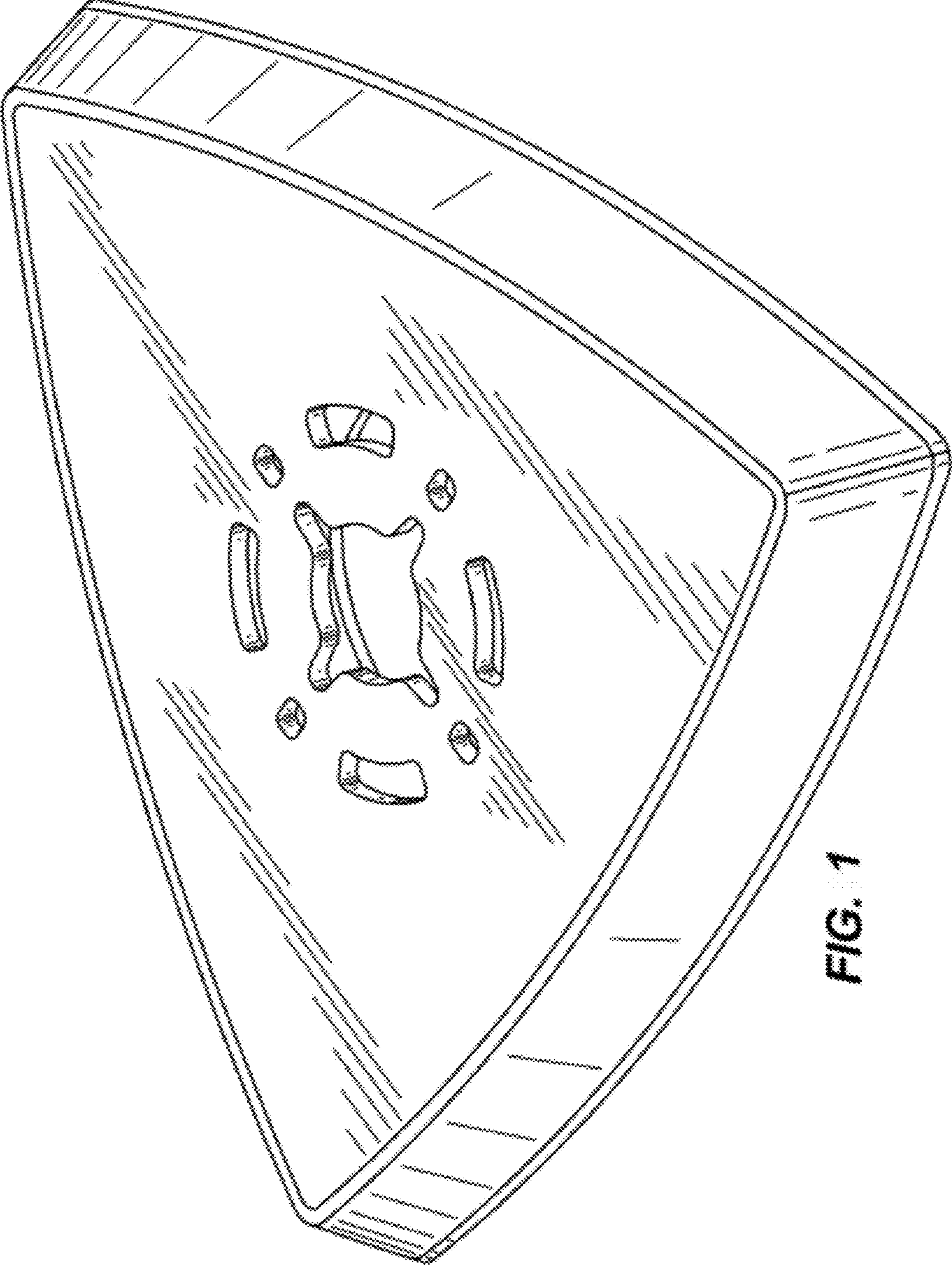


FIG. 1

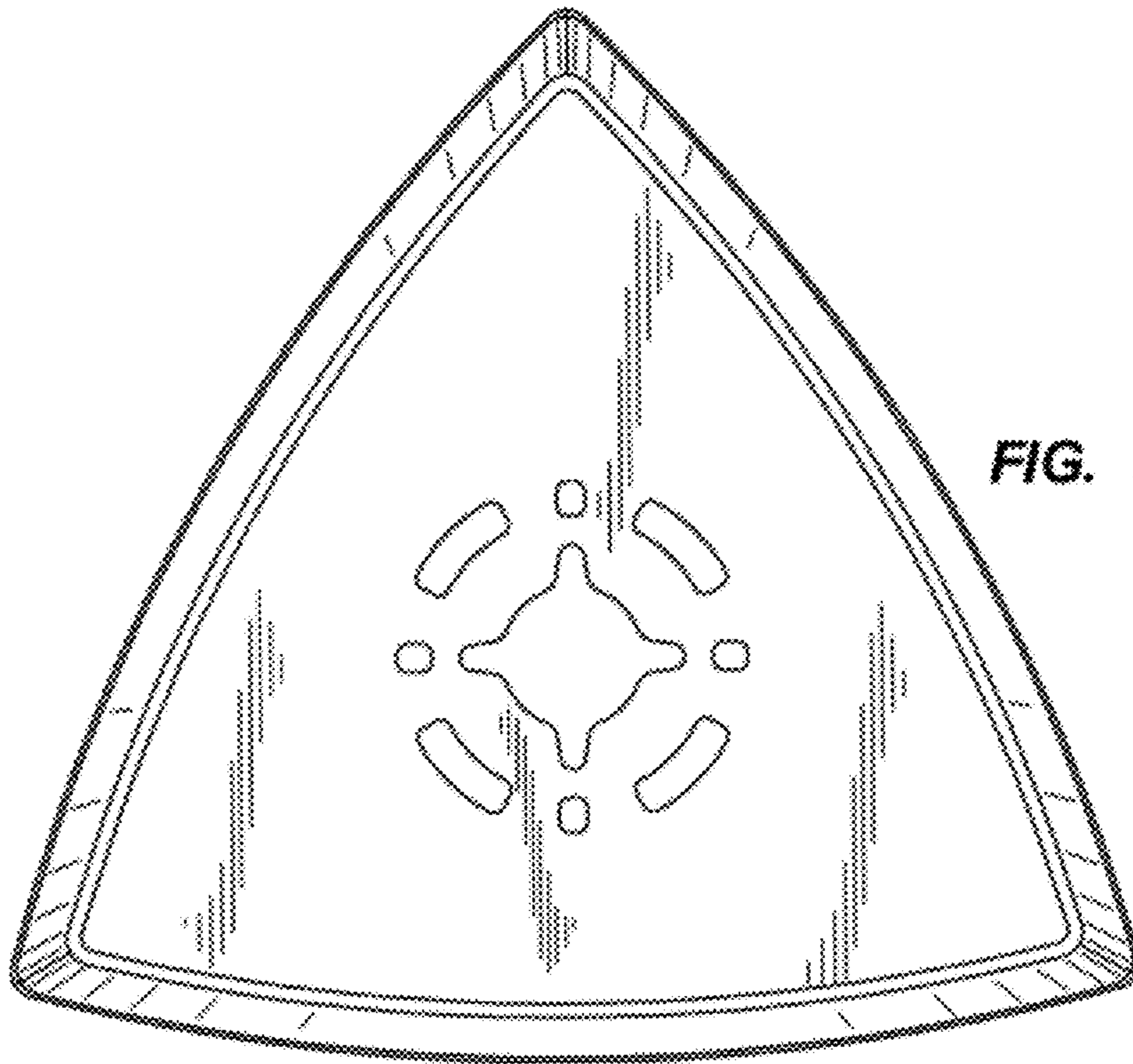


FIG. 2

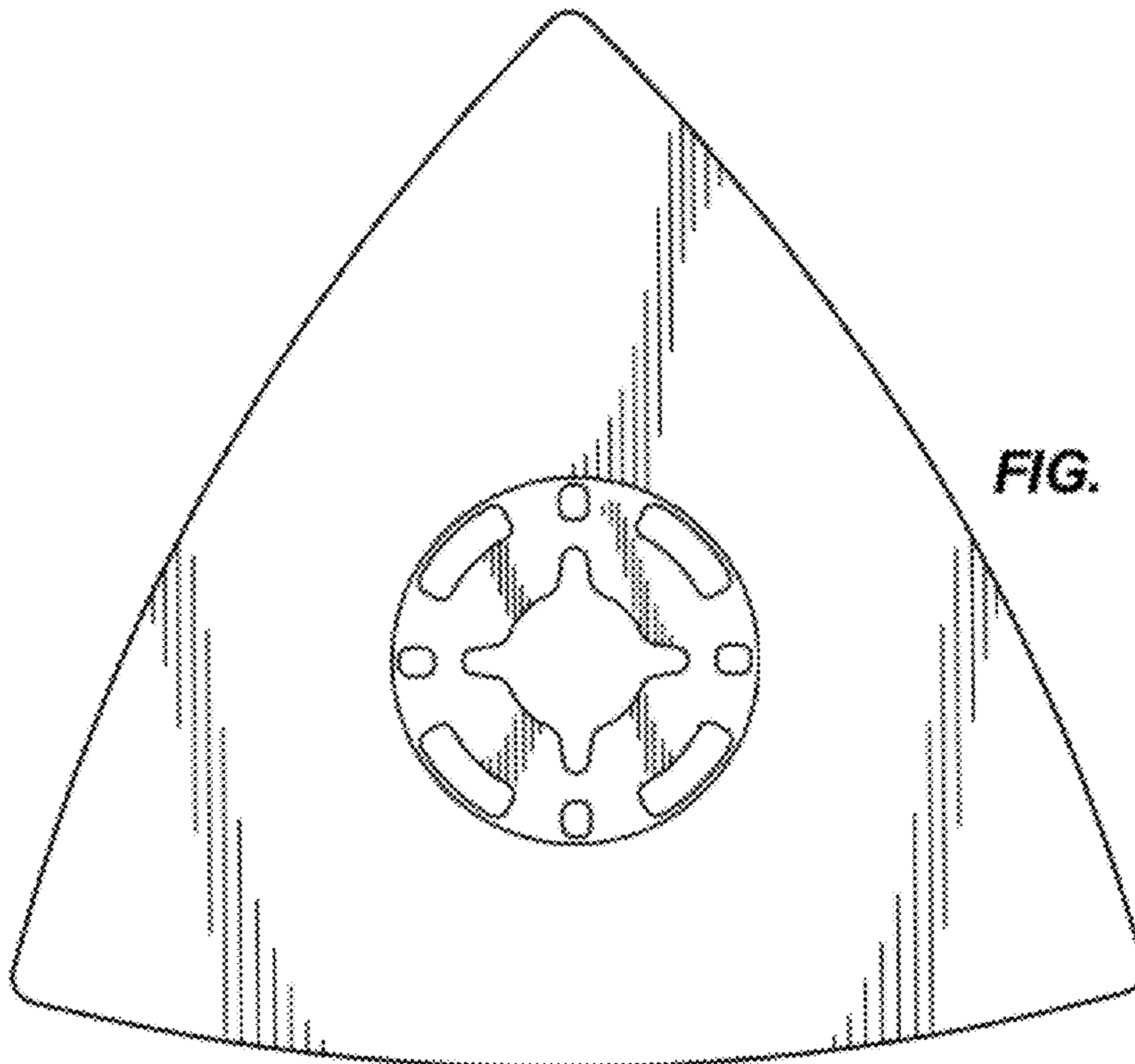


FIG. 3

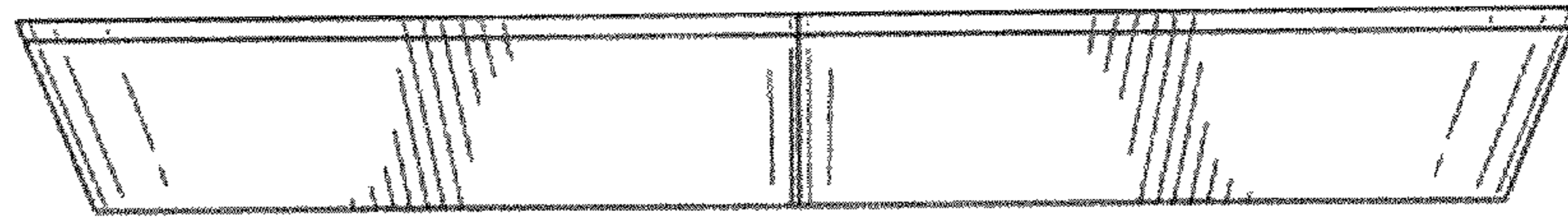


FIG. 4

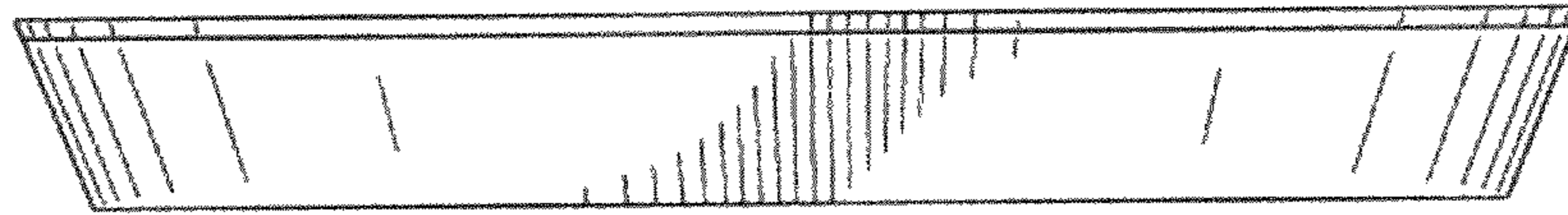


FIG. 5

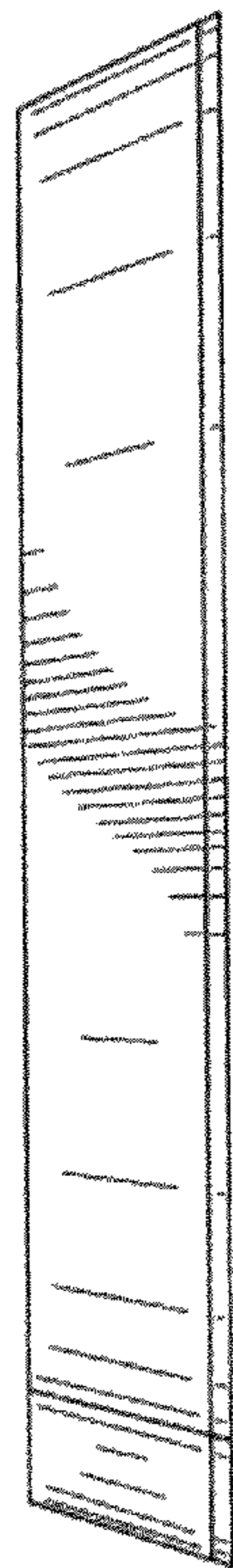


FIG. 6

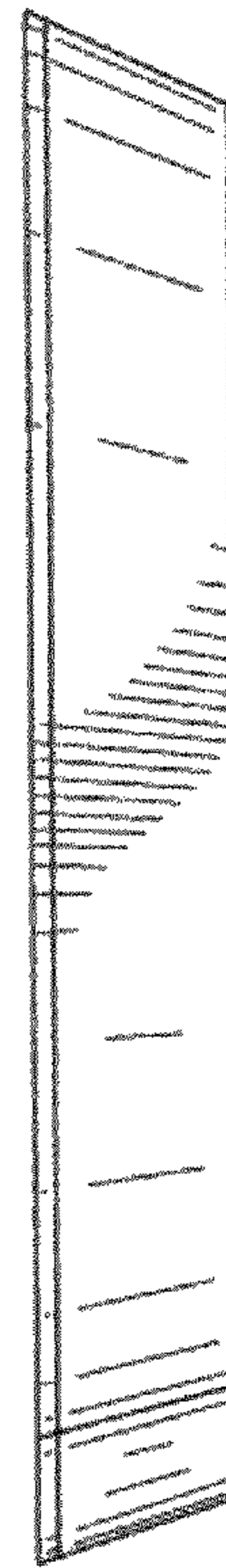


FIG. 7