



US00D669753S

(12) **United States Design Patent**
Stinson

(10) **Patent No.:** **US D669,753 S**

(45) **Date of Patent:** **** Oct. 30, 2012**

(54) **TOOL EXTENSION**

(75) Inventor: **Ralph Dudley Stinson**, Lutz, FL (US)

(73) Assignee: **Madi, LLC**, Greenville, SC (US)

(**) Term: **14 Years**

(21) Appl. No.: **29/402,861**

(22) Filed: **Sep. 28, 2011**

(51) **LOC (9) Cl.** **08-05**

(52) **U.S. Cl.** **D8/29**

(58) **Field of Classification Search** D8/21-29;
81/58.3-59.16, 177.1, 177.85, 121.1, 124.3,
81/165-170, 110.1, 176.2, 124.6, 176.1,
81/176.15, 177.2; 16/110.1; D15/144.1;
219/75, 227, 229, 121.16, 121.18
See application file for complete search history.

(56) **References Cited**

U.S. PATENT DOCUMENTS

4,602,534	A *	7/1986	Moetteli	81/177.85
4,960,015	A *	10/1990	Mathews	81/177.2
D318,997	S *	8/1991	Baker	D8/29
D319,562	S *	9/1991	Ballard	D8/29
5,090,275	A *	2/1992	McCann	81/177.85
5,813,296	A *	9/1998	Hoff et al.	81/177.85
6,523,441	B2 *	2/2003	Lee	81/177.85
D526,546	S *	8/2006	Jirele et al.	D8/29

7,340,984	B2 *	3/2008	Hsieh	81/177.85
D582,242	S *	12/2008	Bryan	D8/107
D600,521	S *	9/2009	Butler	D8/29
2004/0214646	A1 *	10/2004	Chiou	464/158

* cited by examiner

Primary Examiner — Raphael Barkai
Assistant Examiner — Randall Gholson

(74) *Attorney, Agent, or Firm* — Trego, Hines & Ladenheim, PLLC

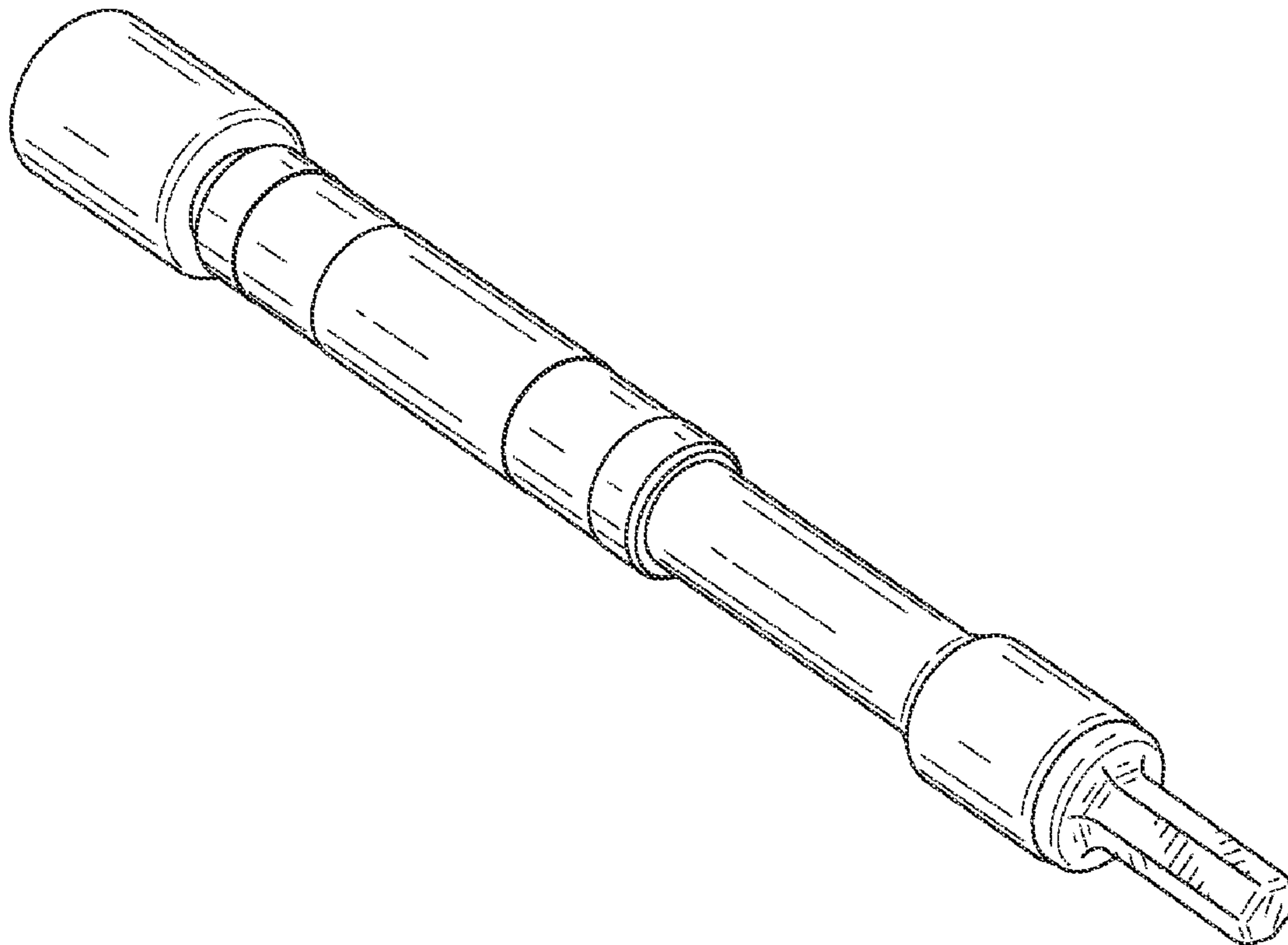
(57) **CLAIM**

I claim the ornamental design for a tool extension, as shown and described.

DESCRIPTION

FIG. 1 is a perspective view of a tool extension, showing my design;
FIG. 2 is a front elevational view of the tool extension of FIG. 1;
FIG. 3 is a rear elevational view of the tool extension of FIG. 1;
FIG. 4 is a right side elevational view of the tool extension of FIG. 1;
FIG. 5 is a left side elevational view of the tool extension of FIG. 1;
FIG. 6 is a bottom view of the tool extension of FIG. 1; and,
FIG. 7 is a top view of the tool extension of FIG. 1.

1 Claim, 4 Drawing Sheets



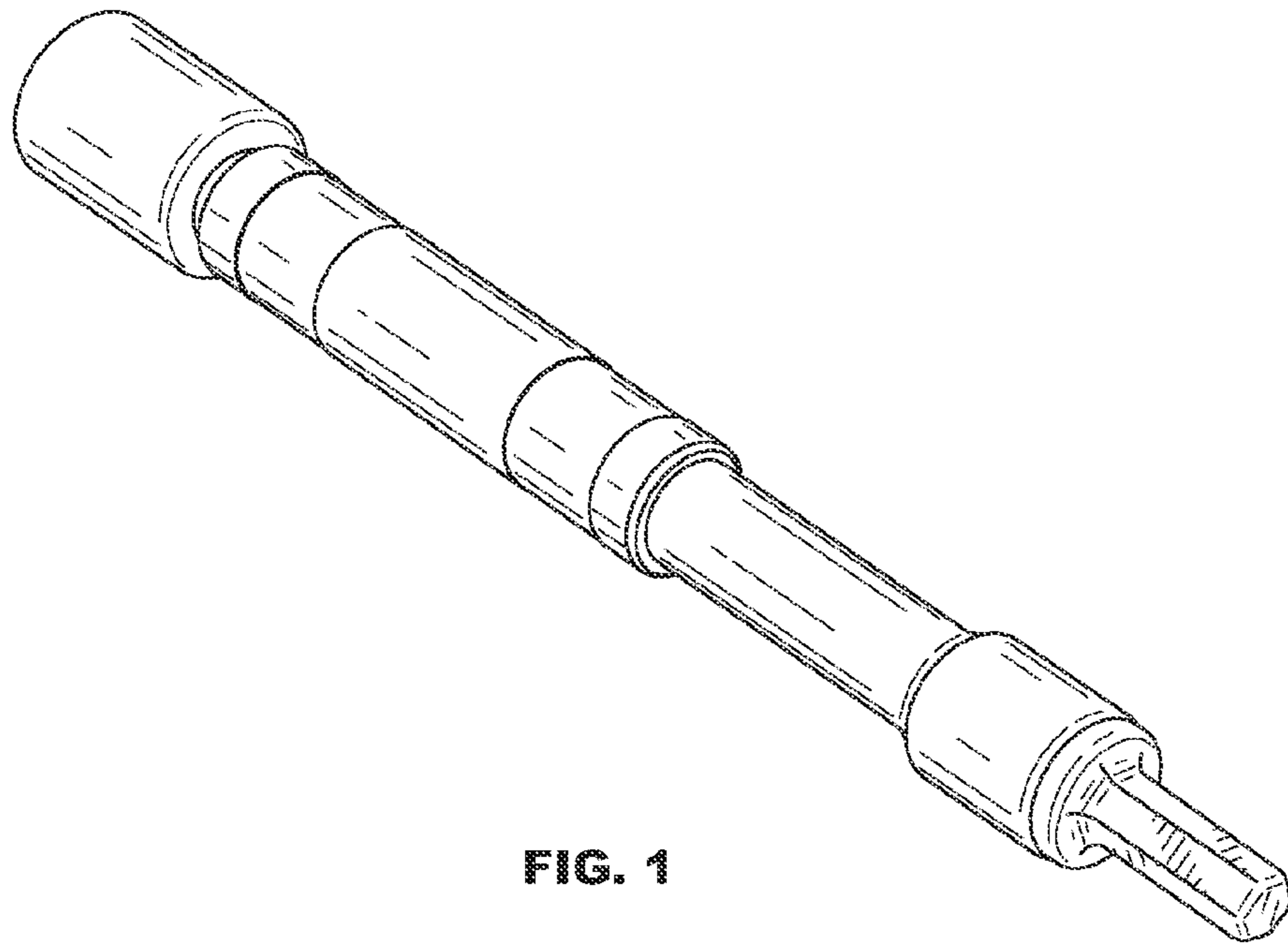


FIG. 1

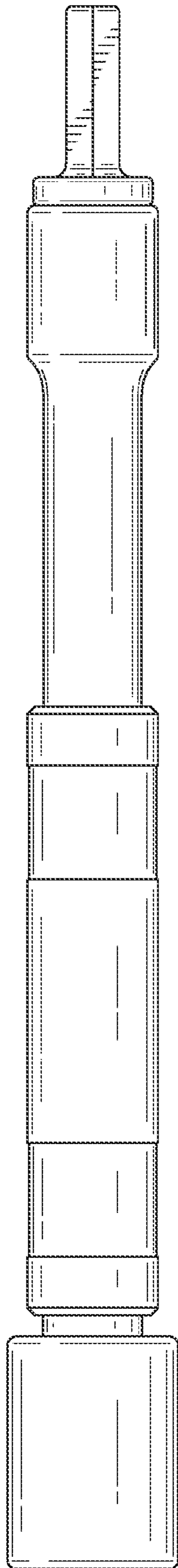


FIG. 2

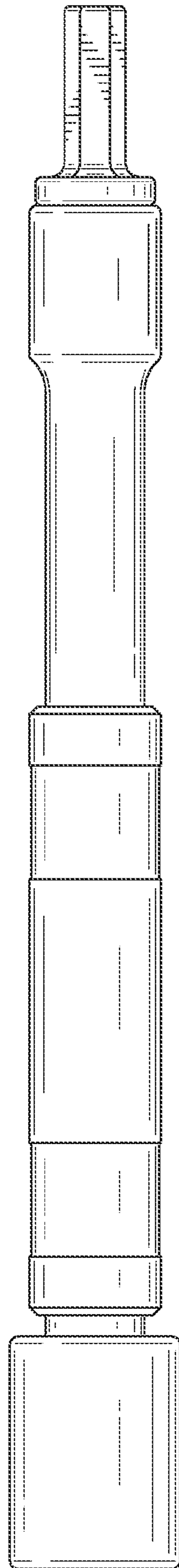


FIG. 3

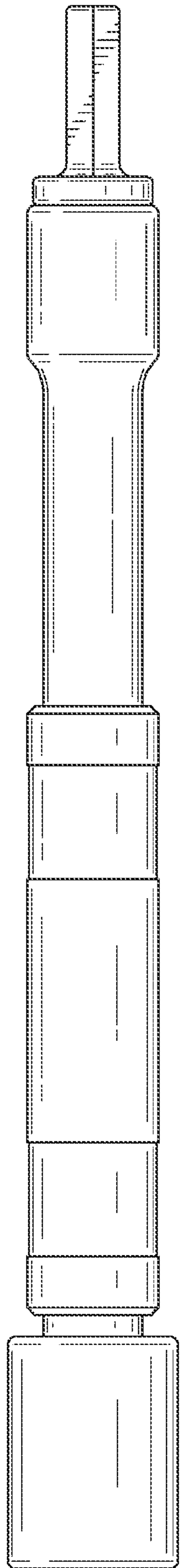


FIG. 4

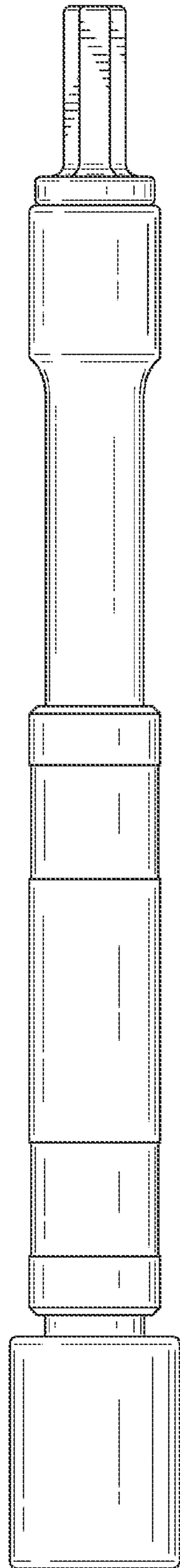


FIG. 5

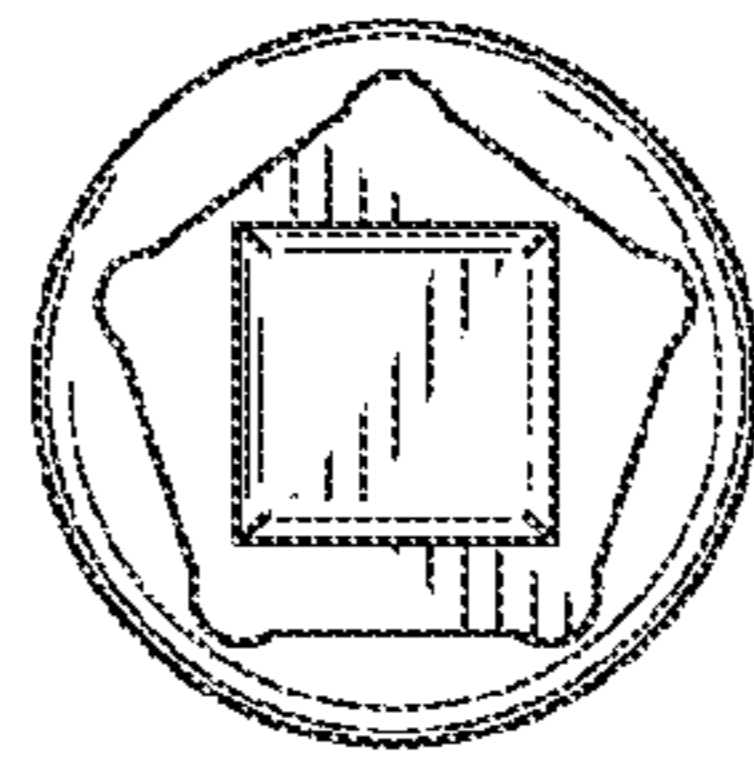


FIG. 6

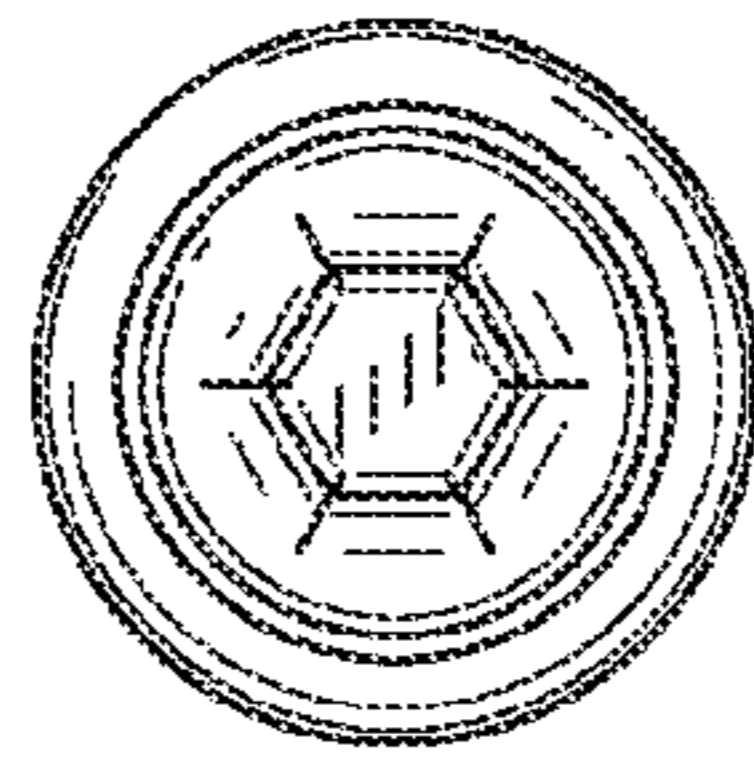


FIG. 7