

US00D669751S

(12) **United States Design Patent**
Kent

(10) **Patent No.:** **US D669,751 S**

(45) **Date of Patent:** **** Oct. 30, 2012**

(54) **CANNING FUNNEL**

(75) **Inventor:** **Joseph Kent**, Seattle, WA (US)

(73) **Assignee:** **Progressive International Corporation**,
Kent, WA (US)

(**) **Term:** **14 Years**

(21) **Appl. No.:** **29/407,856**

(22) **Filed:** **Dec. 2, 2011**

(51) **LOC (9) Cl.** **07-99**

(52) **U.S. Cl.** **D7/700**

(58) **Field of Classification Search** D7/700,
D7/400, 368; D23/200; D15/150-152;
141/297-300, 331-345, 95-98, 319-321;
100/104, 110, 295

See application file for complete search history.

(56) **References Cited**

U.S. PATENT DOCUMENTS

585,172	A *	6/1897	Ashbaugh	141/340
3,982,570	A *	9/1976	Devoe	141/95
4,108,220	A *	8/1978	Pantek	141/98
5,762,120	A *	6/1998	Smith	141/340

D404,617	S *	1/1999	Mick et al.	D7/700
5,871,037	A *	2/1999	Feldt	141/391
6,539,991	B1 *	4/2003	Ackerman	141/331
D589,764	S *	4/2009	Randolph	D7/700

* cited by examiner

Primary Examiner — Terry Wallace

(74) *Attorney, Agent, or Firm* — Lowe Graham Jones PLLC

(57) **CLAIM**

I claim the ornamental design for the canning funnel, as shown and described.

DESCRIPTION

FIG. 1 is a perspective view of a canning funnel, showing my new design

FIG. 2 is a top view of the canning funnel.

FIG. 3 is a front view of the canning funnel, the back view being a mirror image.

FIG. 4 is a left side view of the canning funnel.

FIG. 5 is a right side view of the canning funnel; and,

FIG. 6 is a bottom view of the canning funnel, in which portions illustrated in phantom lines form no part of the claimed invention.

1 Claim, 4 Drawing Sheets

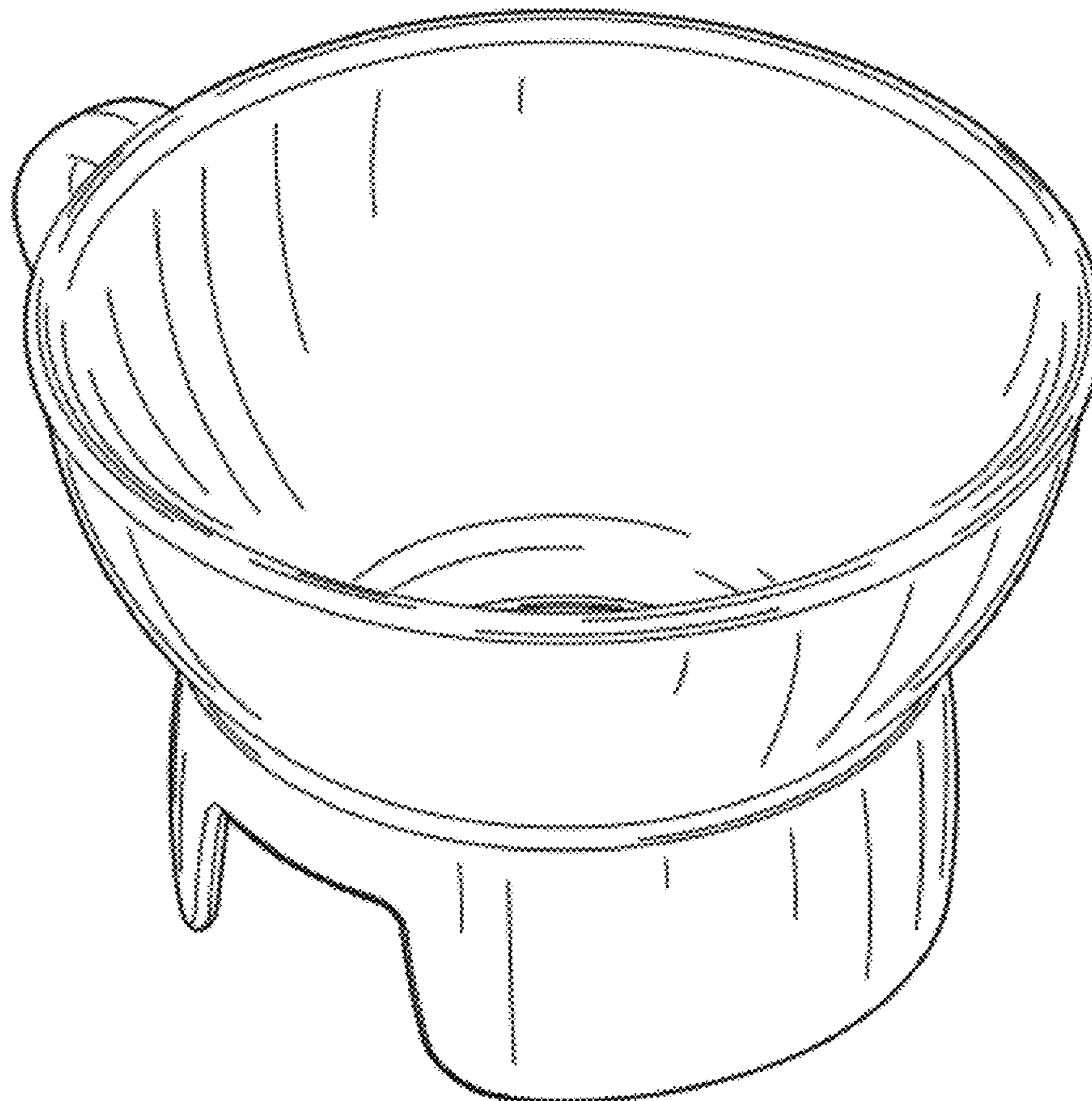




FIG.1

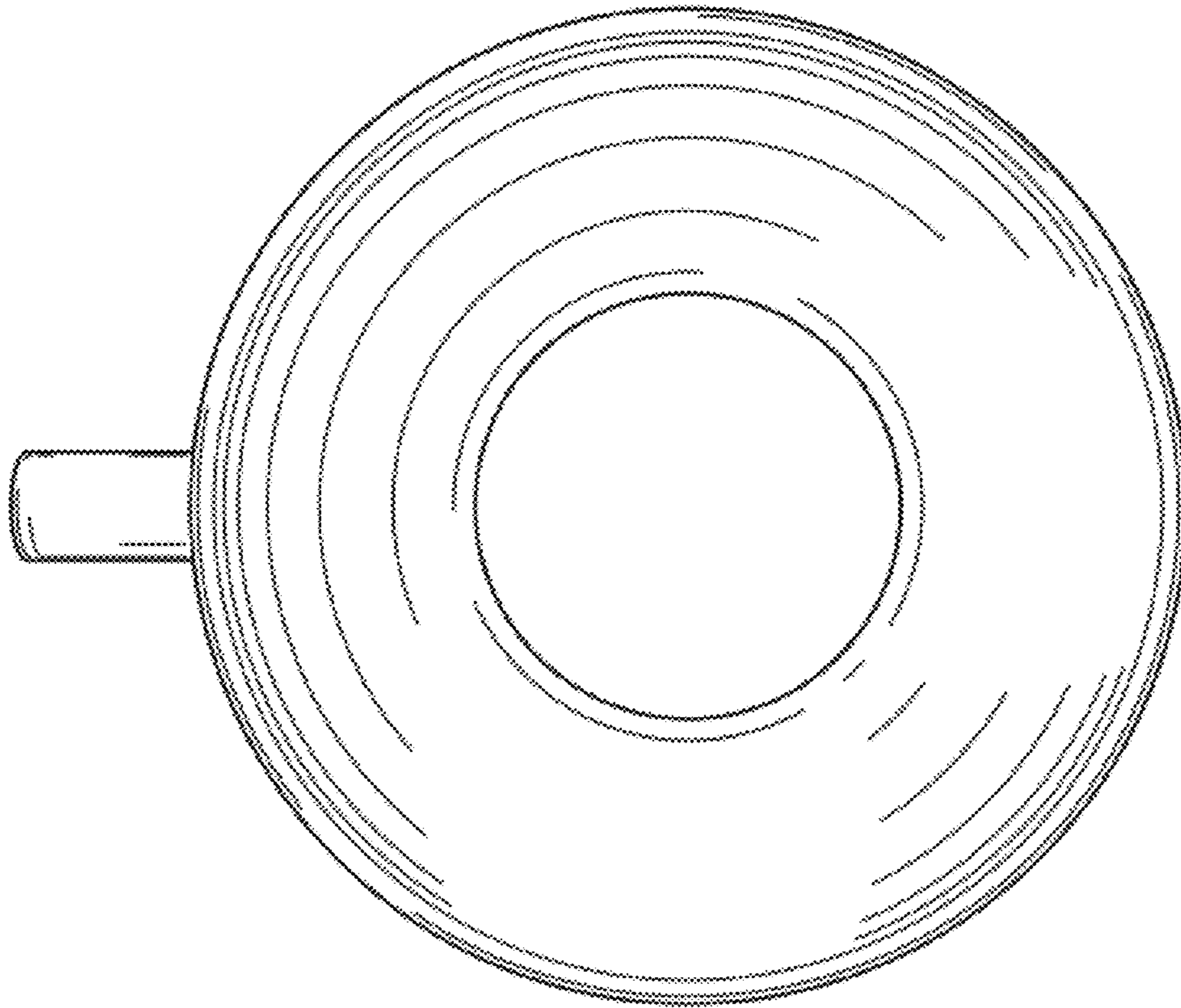


FIG. 2

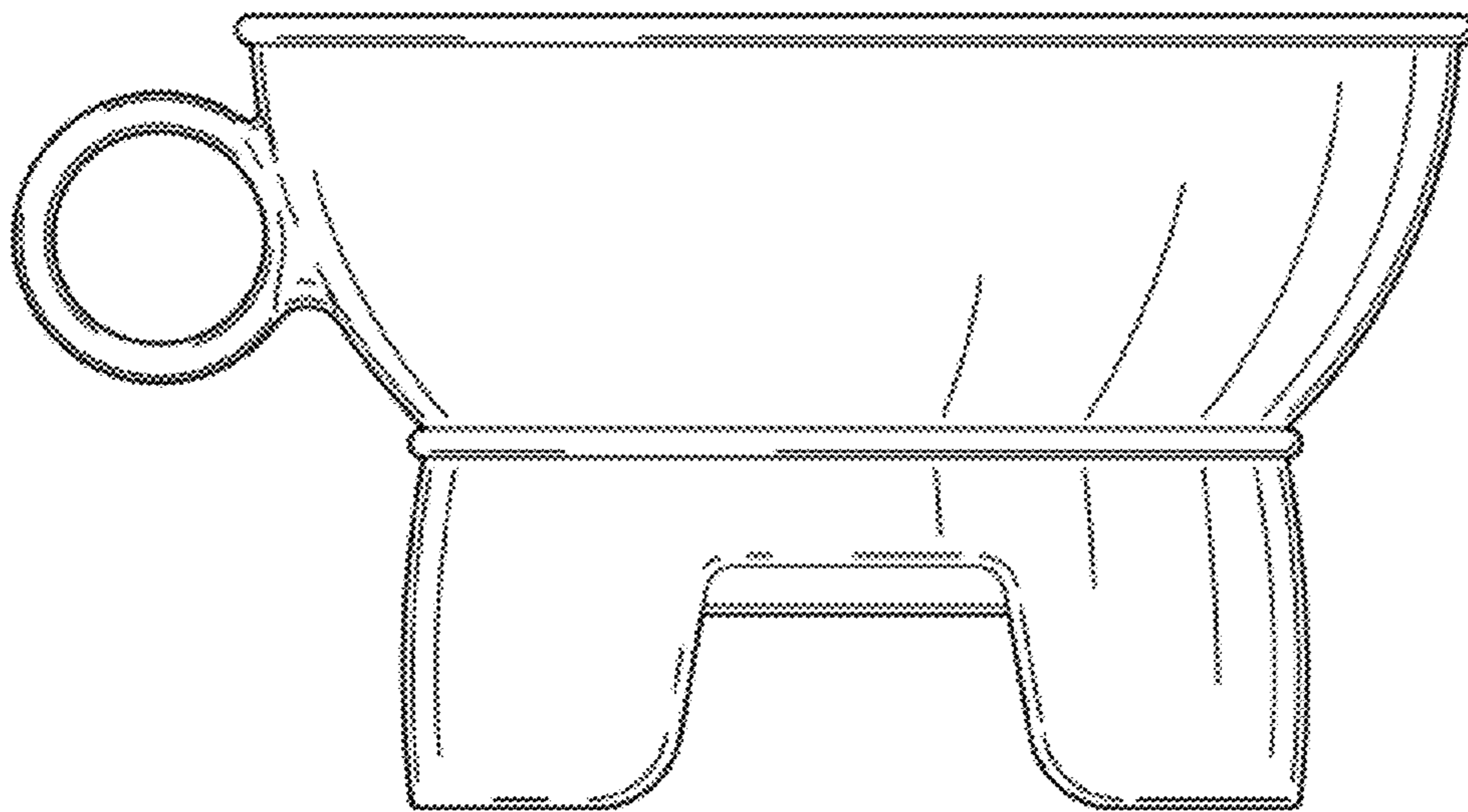


FIG. 3

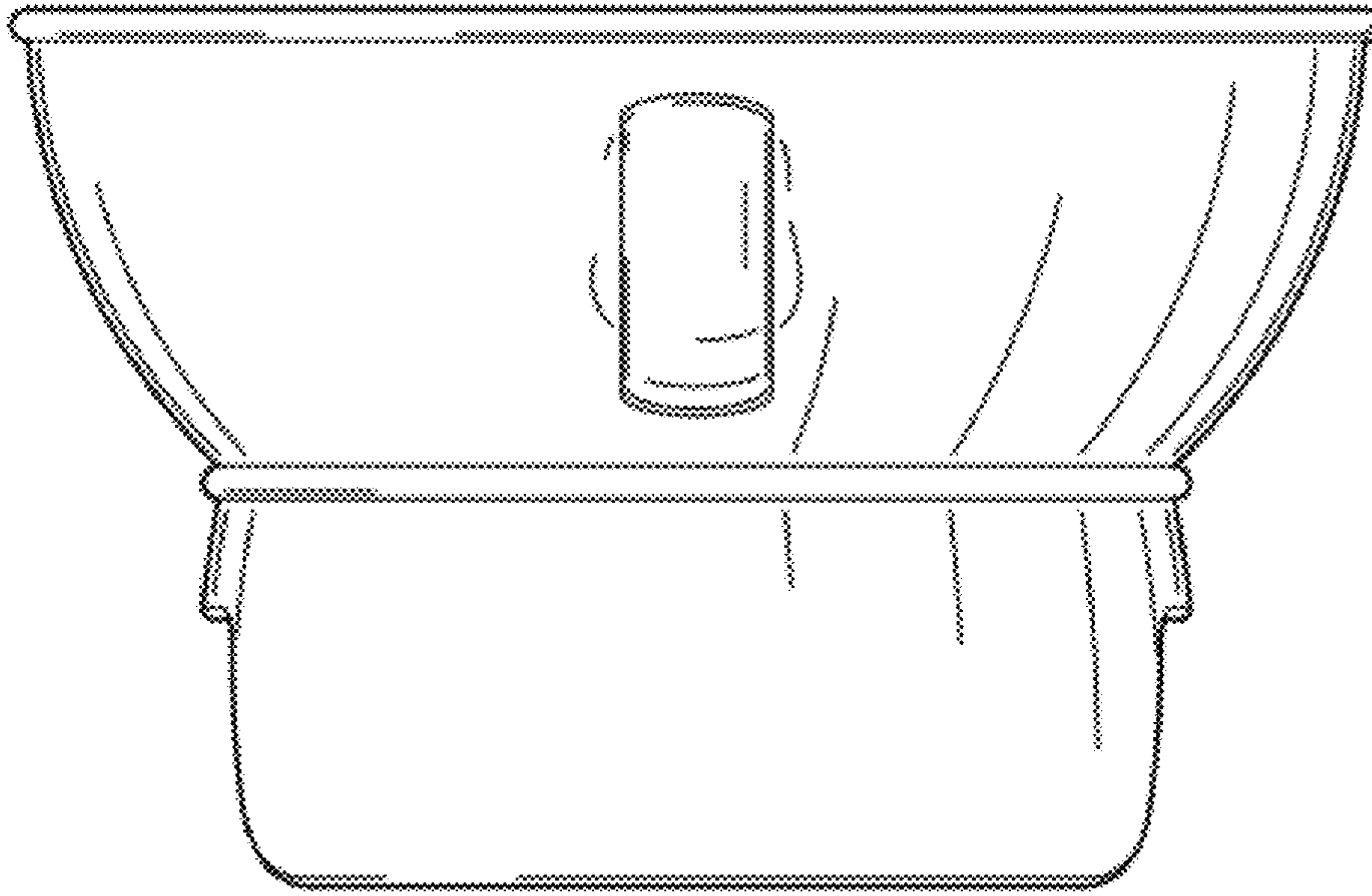


FIG. 4

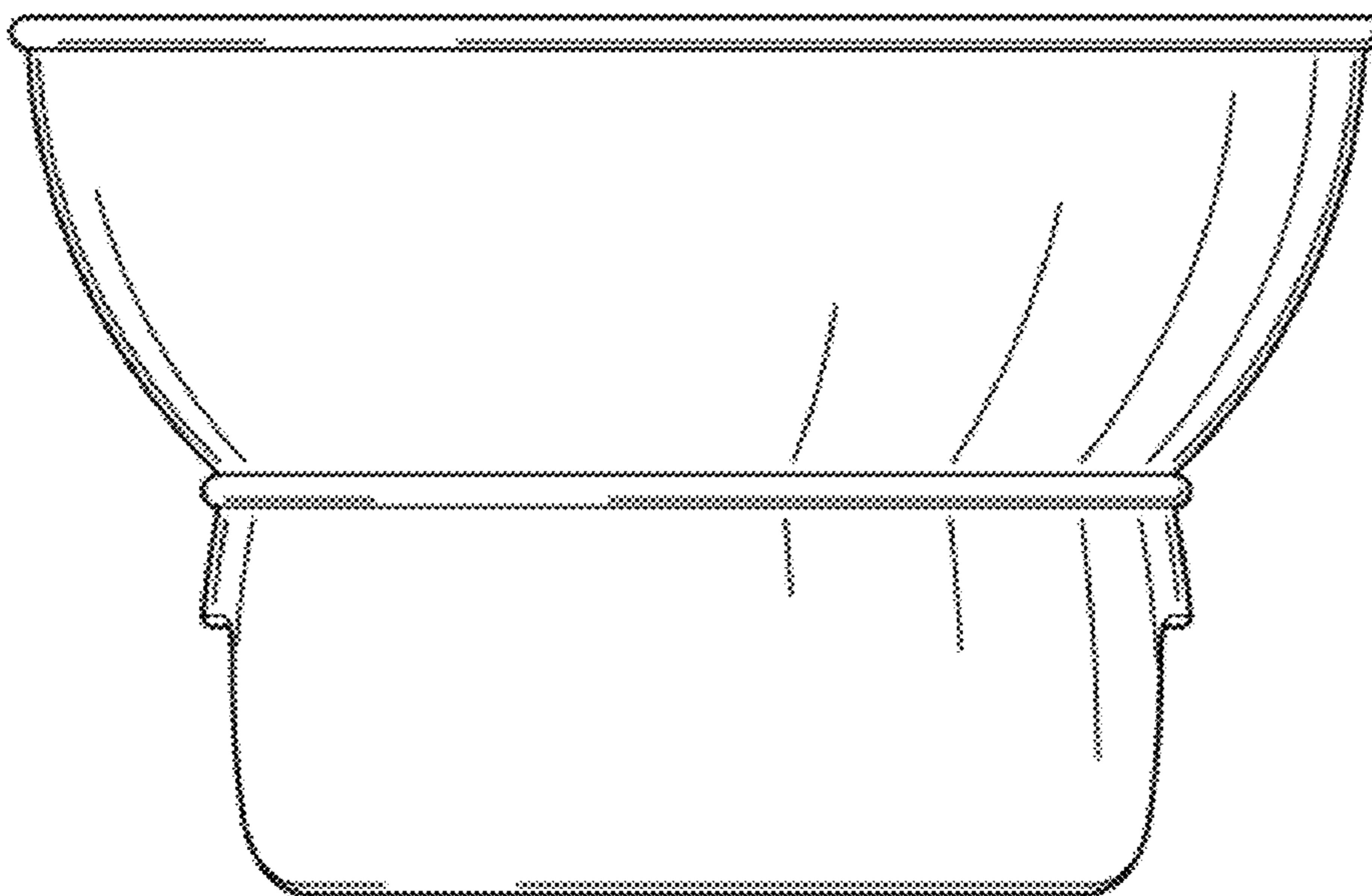


FIG. 5

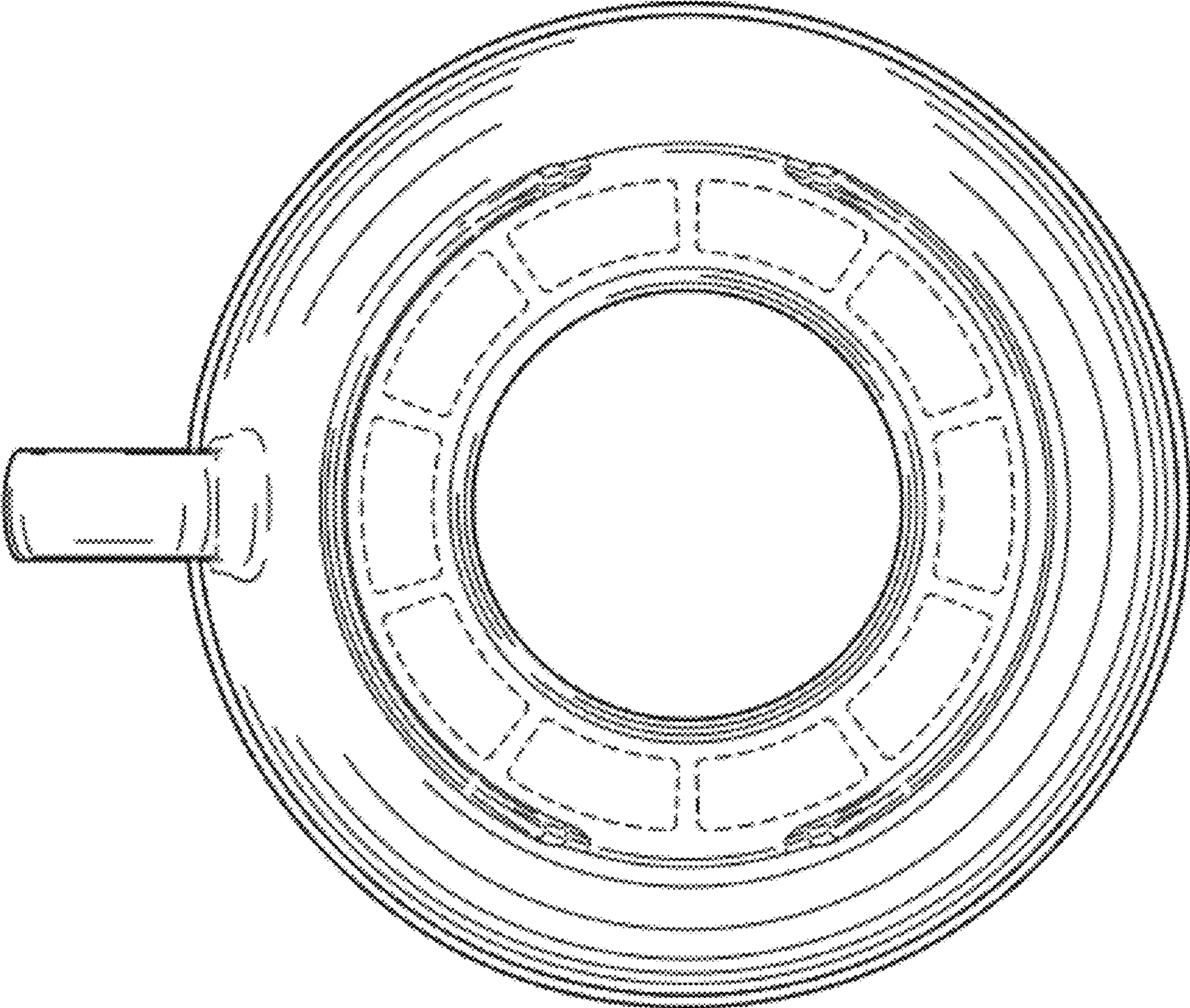


FIG. 6