



US00D669749S

(12) **United States Design Patent**
Cloutier

(10) **Patent No.:** **US D669,749 S**

(45) **Date of Patent:** **** Oct. 30, 2012**

(54) **ROUND COOKING PRESS**

(56) **References Cited**

(75) Inventor: **Andre Dean Cloutier**, Blaine, WA (US)

U.S. PATENT DOCUMENTS

(73) Assignee: **Magellan Group, Ltd.**, Blaine, WA (US)

D197,663 S *	3/1964	O'Reilly	D7/359
D380,645 S *	7/1997	Perlini	D7/359
D525,490 S *	7/2006	Muskat et al.	D7/669
7,586,067 B2 *	9/2009	Hill	219/729
7,703,387 B2 *	4/2010	Muskat et al.	99/349

(**) Term: **14 Years**

* cited by examiner

(21) Appl. No.: **29/408,649**

Primary Examiner — Terry Wallace

(74) *Attorney, Agent, or Firm* — Dwayne E. Rogge; Schacht Law Office, Inc.

(22) Filed: **Dec. 15, 2011**

(57) **CLAIM**

The ornamental design for a round cooking press, as shown and described.

(51) **LOC (9) Cl.** **07-04**

DESCRIPTION

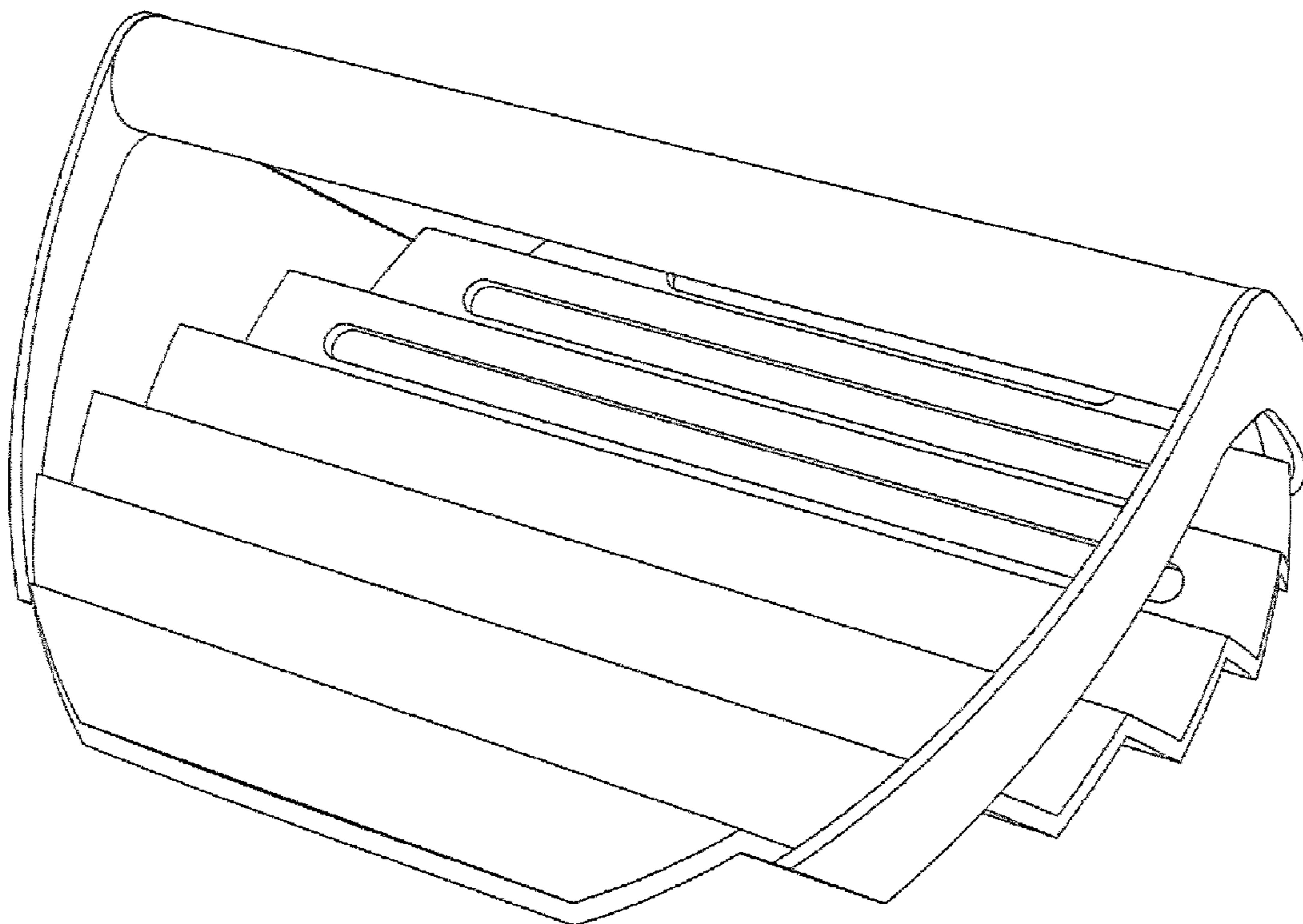
(52) **U.S. Cl.** **D7/682**

(58) **Field of Classification Search** D7/682, D7/368, 669, 393, 402, 409-412; D8/300, D8/303, 307; 219/732-734, 729; 99/324, 99/339, 349, 422, 445, 446, 447, 448, 353, 99/342; 452/102, 145-147, 198; 426/512, 426/513

FIG. 1 is a perspective view thereof.
FIG. 2 is a top view thereof.
FIG. 3 is a bottom view thereof.
FIG. 4 is a front view thereof with the back view being a mirror image thereof; and,
FIG. 5 is a right side view thereof with the left side view being a mirror image thereof.

See application file for complete search history.

1 Claim, 5 Drawing Sheets



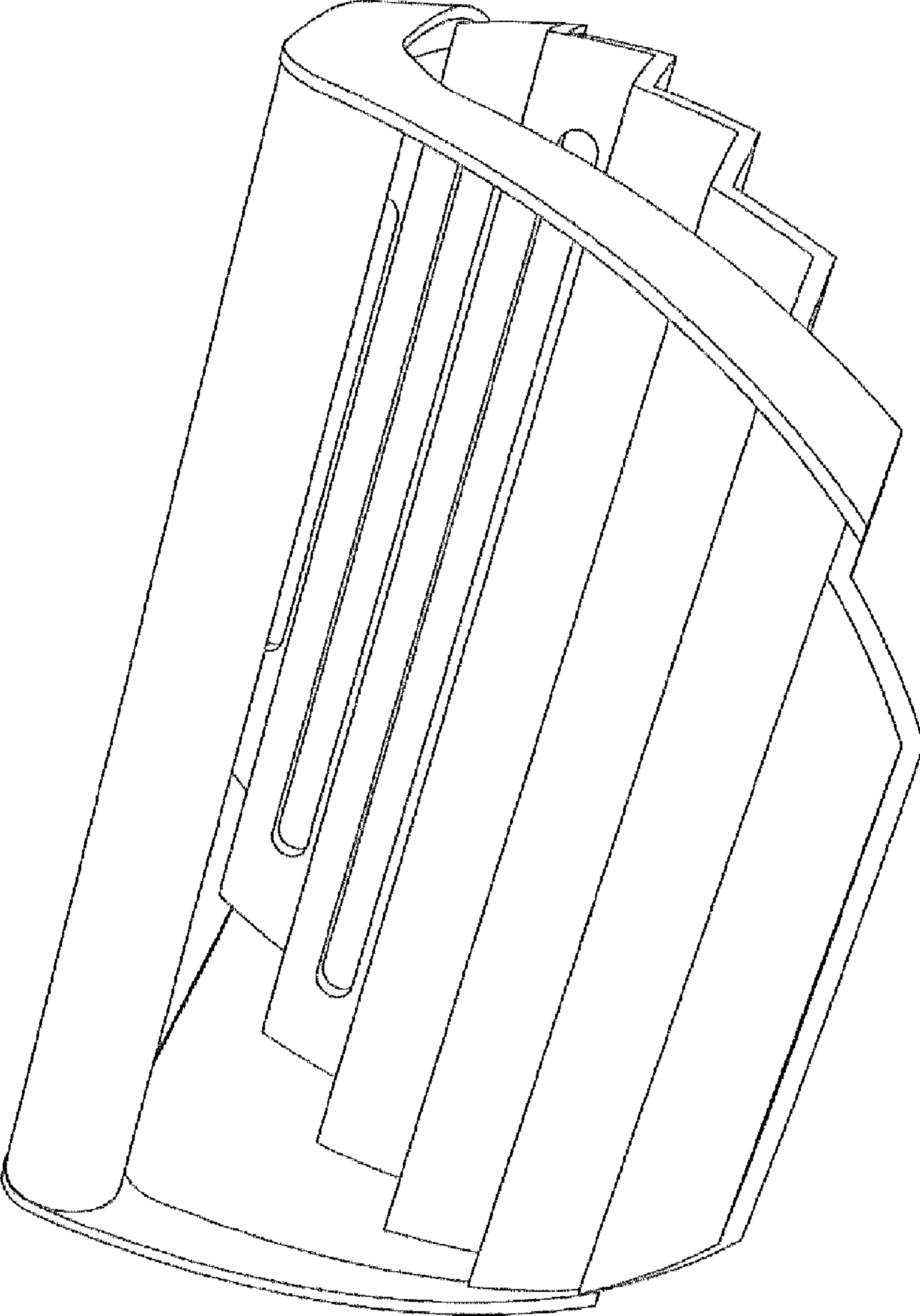


FIG. 1

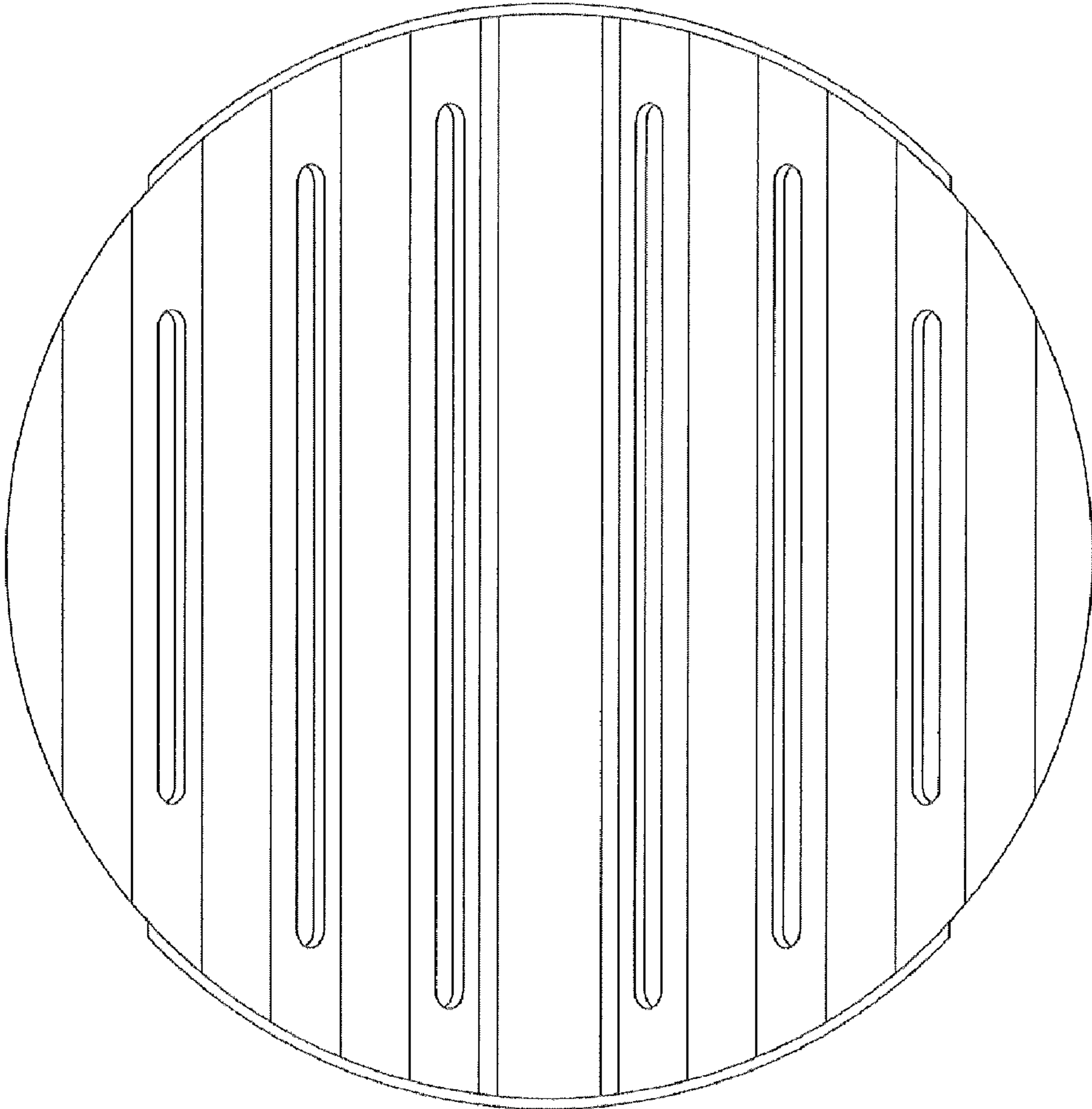


FIG. 2

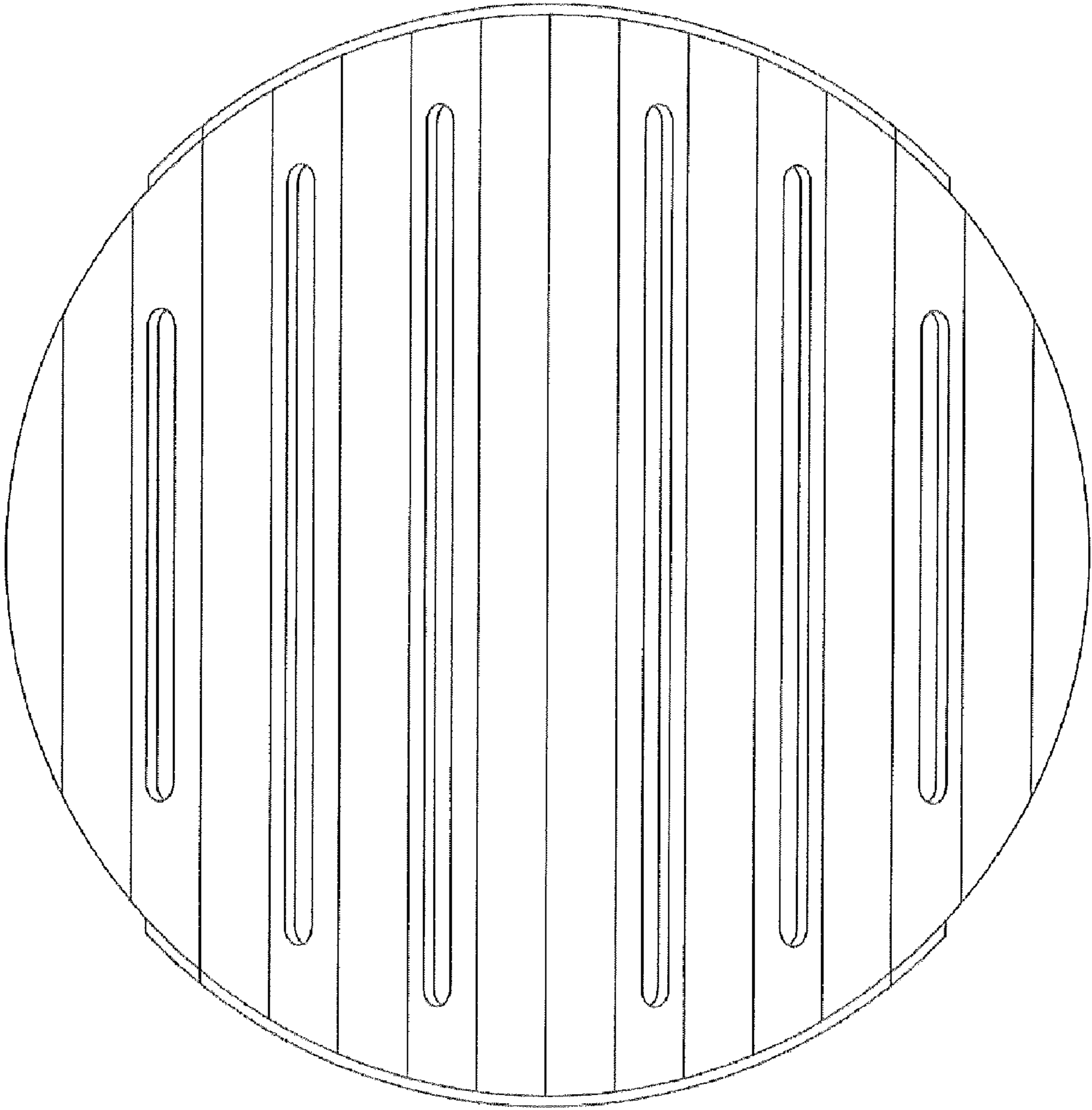


FIG. 3

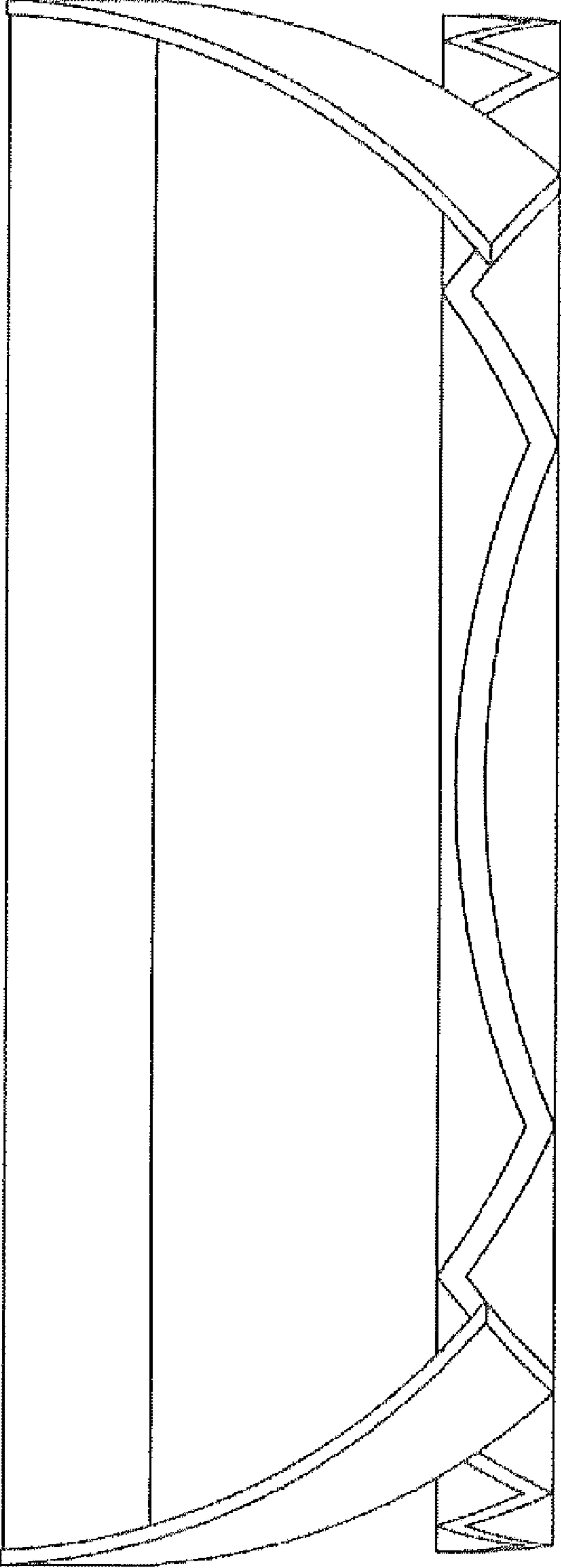


FIG. 4

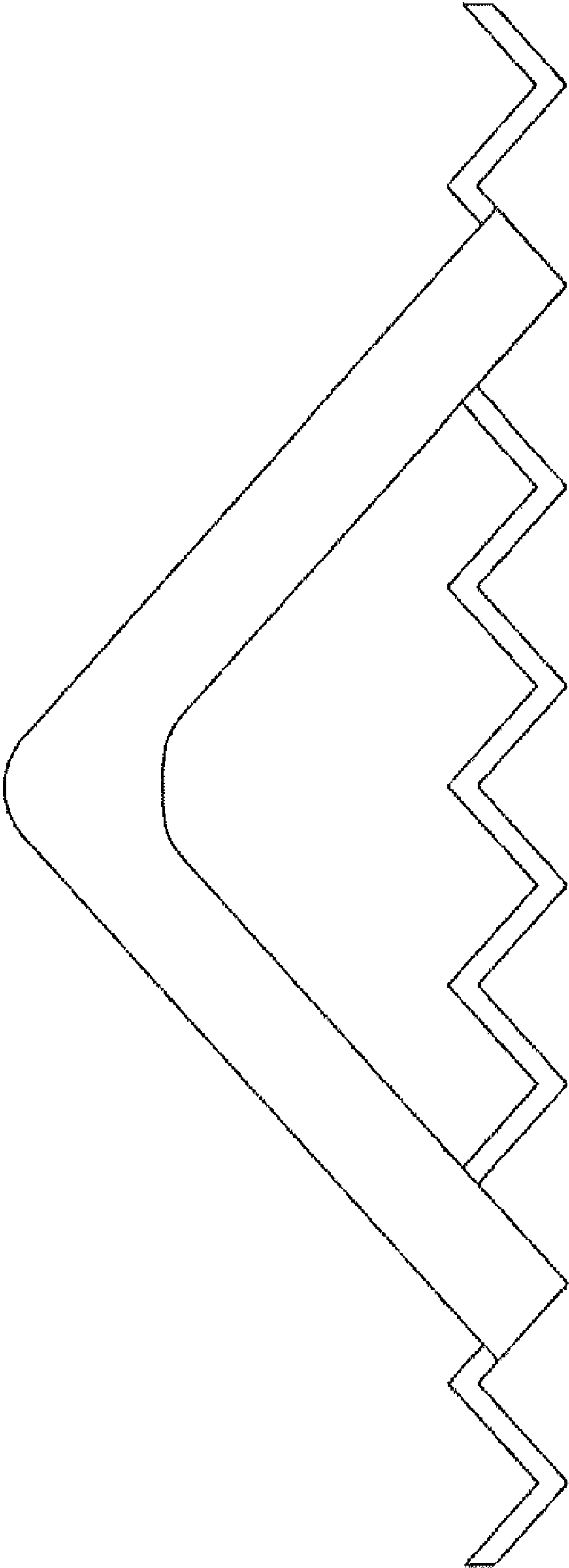


FIG. 5