



US00D669748S

(12) **United States Design Patent**
Cloutier et al.

(10) **Patent No.:** **US D669,748 S**
(45) **Date of Patent:** **** Oct. 30, 2012**

(54) **SQUARE COOKING PRESS**

(75) Inventors: **Andre Dean Cloutier**, Blaine, WA (US);
Adriana Collins, Bellingham, WA (US);
Debra Lynne Sasken-Duff, Blaine, WA (US)

(73) Assignee: **Magellan Group, Ltd.**, Blaine, WA (US)

(**) Term: **14 Years**

(21) Appl. No.: **29/408,596**

(22) Filed: **Dec. 14, 2011**

(51) **LOC (9) Cl.** **07-04**

(52) **U.S. Cl.** **D7/682**

(58) **Field of Classification Search** D7/682,
D7/368, 669, 393, 402, 409-412; D8/300,
D8/303, 307; 219/732-734, 729; 99/324,
99/339, 349, 422, 445, 446, 447, 448, 353,
99/342; 452/102, 145-147, 198; 426/512,
426/513

See application file for complete search history.

(56) **References Cited**

U.S. PATENT DOCUMENTS

D197,663 S * 3/1964 O'Reilly D7/359
4,635,538 A 1/1987 Polster

D380,645 S * 7/1997 Perlini D7/359
D525,490 S * 7/2006 Muskat et al. D7/669
7,586,067 B2 * 9/2009 Hill 219/729
7,703,387 B2 * 4/2010 Muskat et al. 99/349
2007/0012195 A1 1/2007 Muskat et al.

OTHER PUBLICATIONS

www.williams-sonoma.com/products/chefs-press/?pkey=coutdoor-grill-tool-asscess.

* cited by examiner

Primary Examiner — Terry Wallace

(74) *Attorney, Agent, or Firm* — Dwayne E. Rogge; Schacht Law Office, Inc.

(57) **CLAIM**

The ornamental design for a square cooking press, as shown and described.

DESCRIPTION

FIG. 1 is a perspective view thereof.

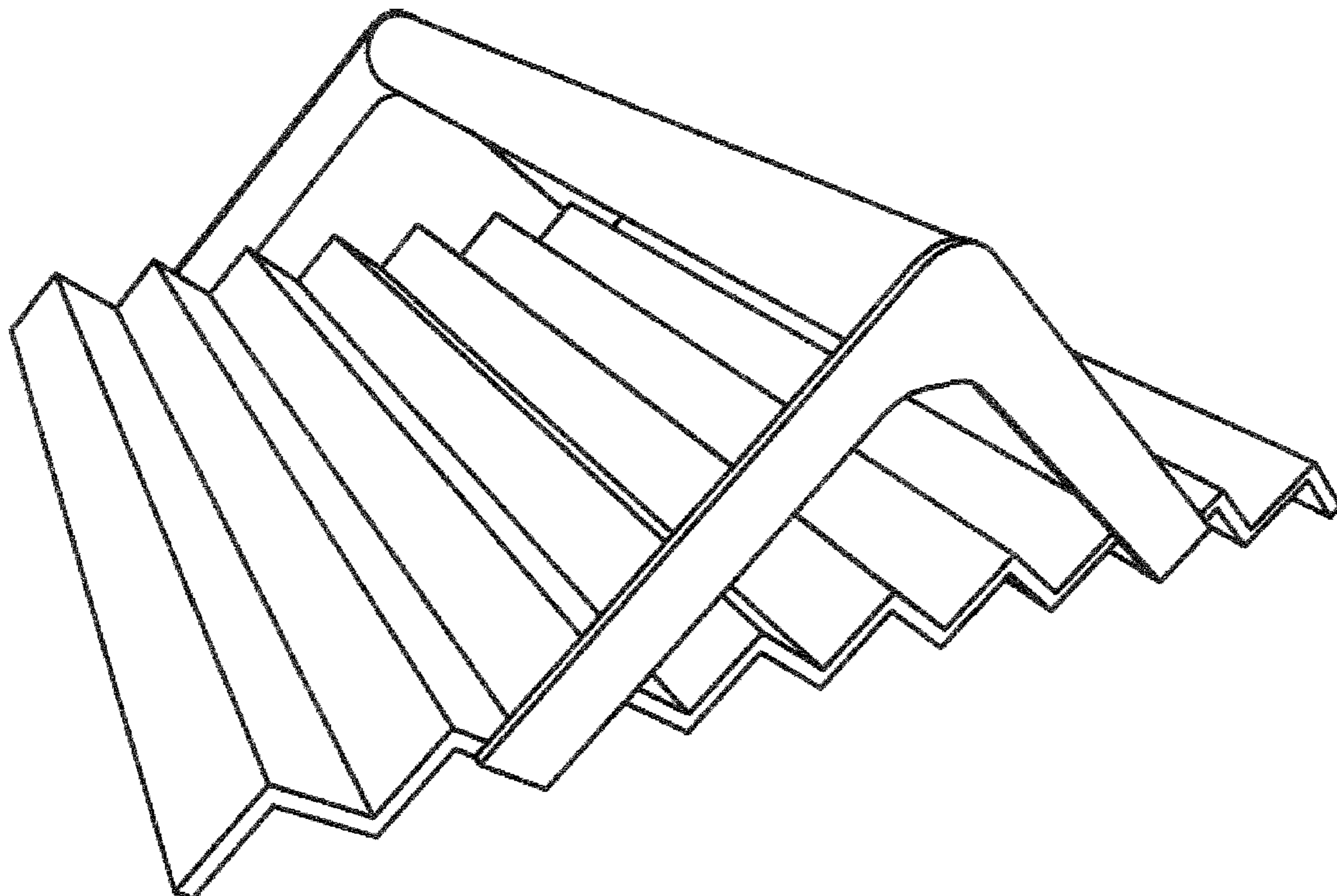
FIG. 2 is a right side view thereof with the left side view being a mirror image thereof.

FIG. 3 is a front view thereof with the rear view being an identical image thereof.

FIG. 4 is a top view thereof; and,

FIG. 5 is a bottom view thereof.

1 Claim, 5 Drawing Sheets



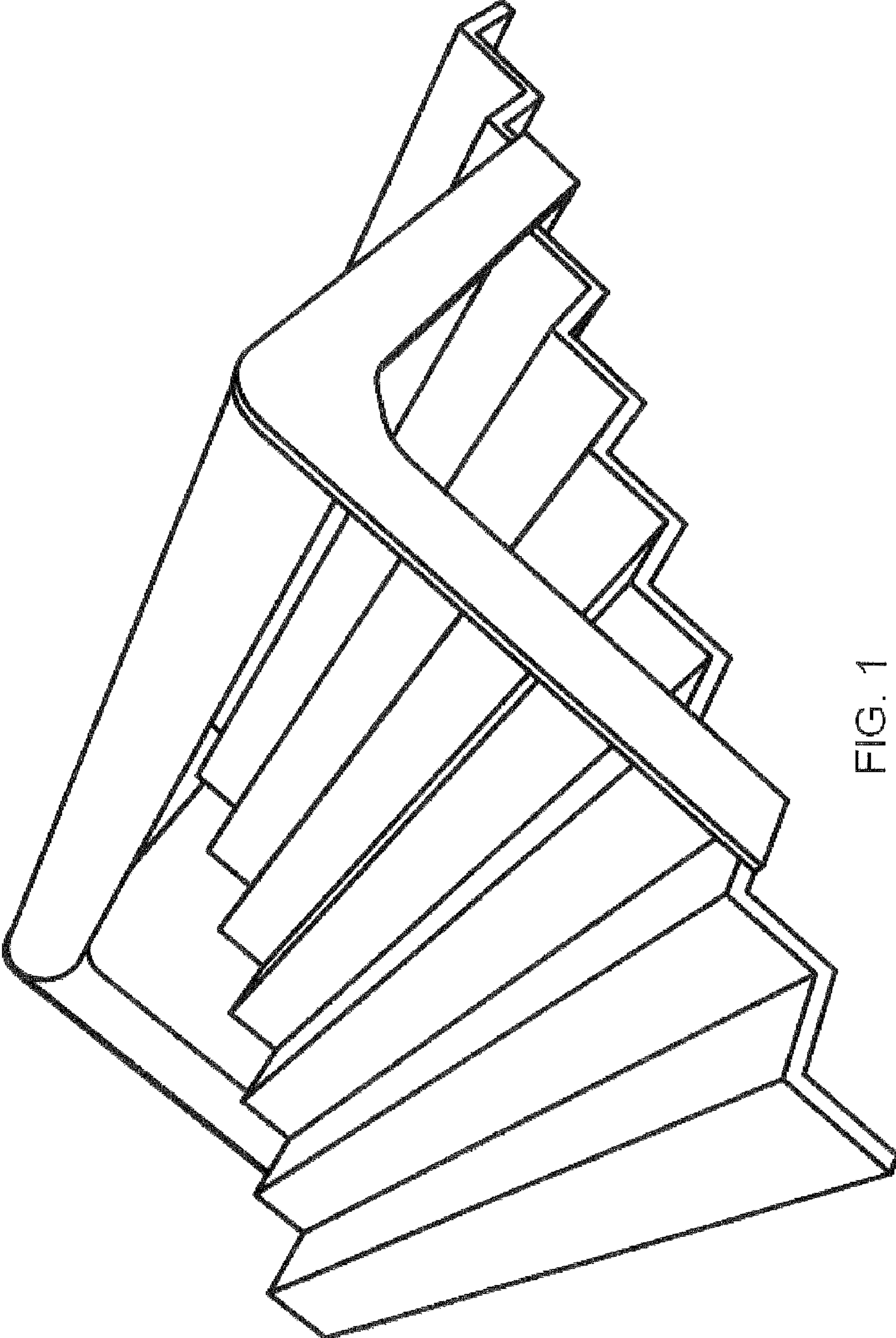


FIG. 1

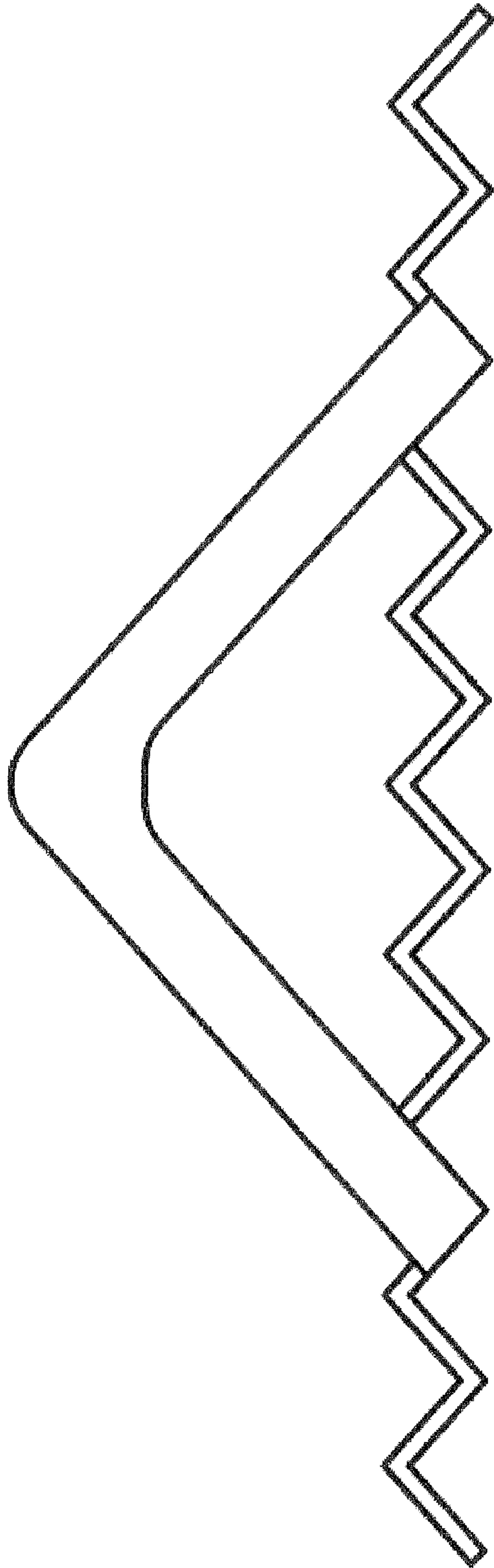


FIG. 2

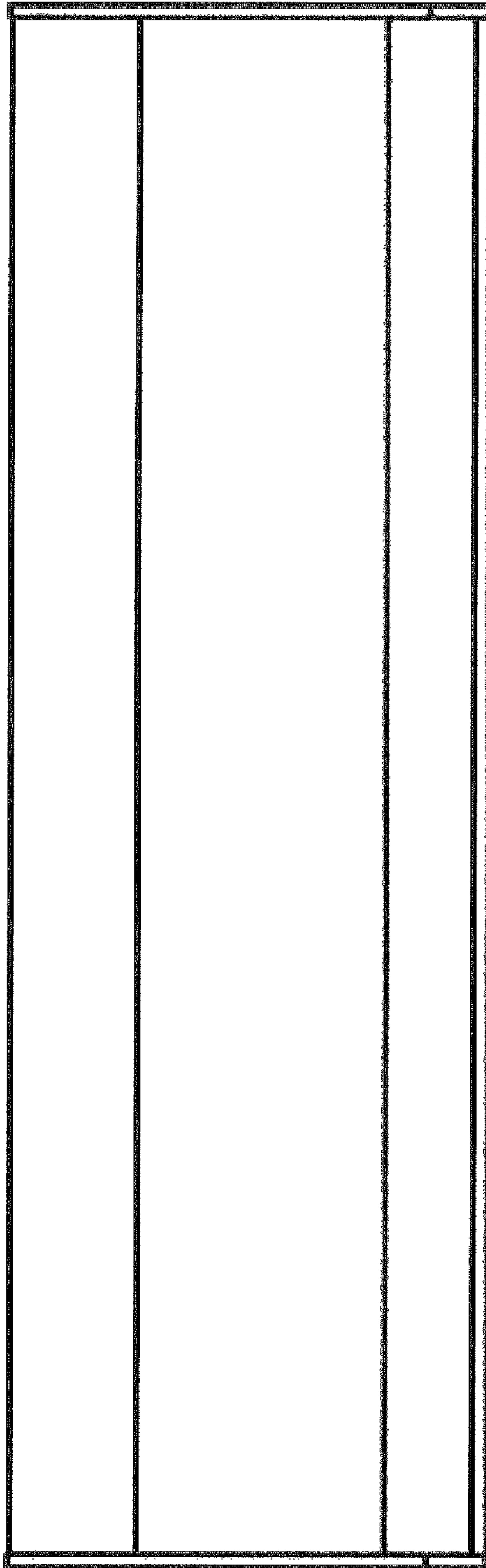


FIG. 3

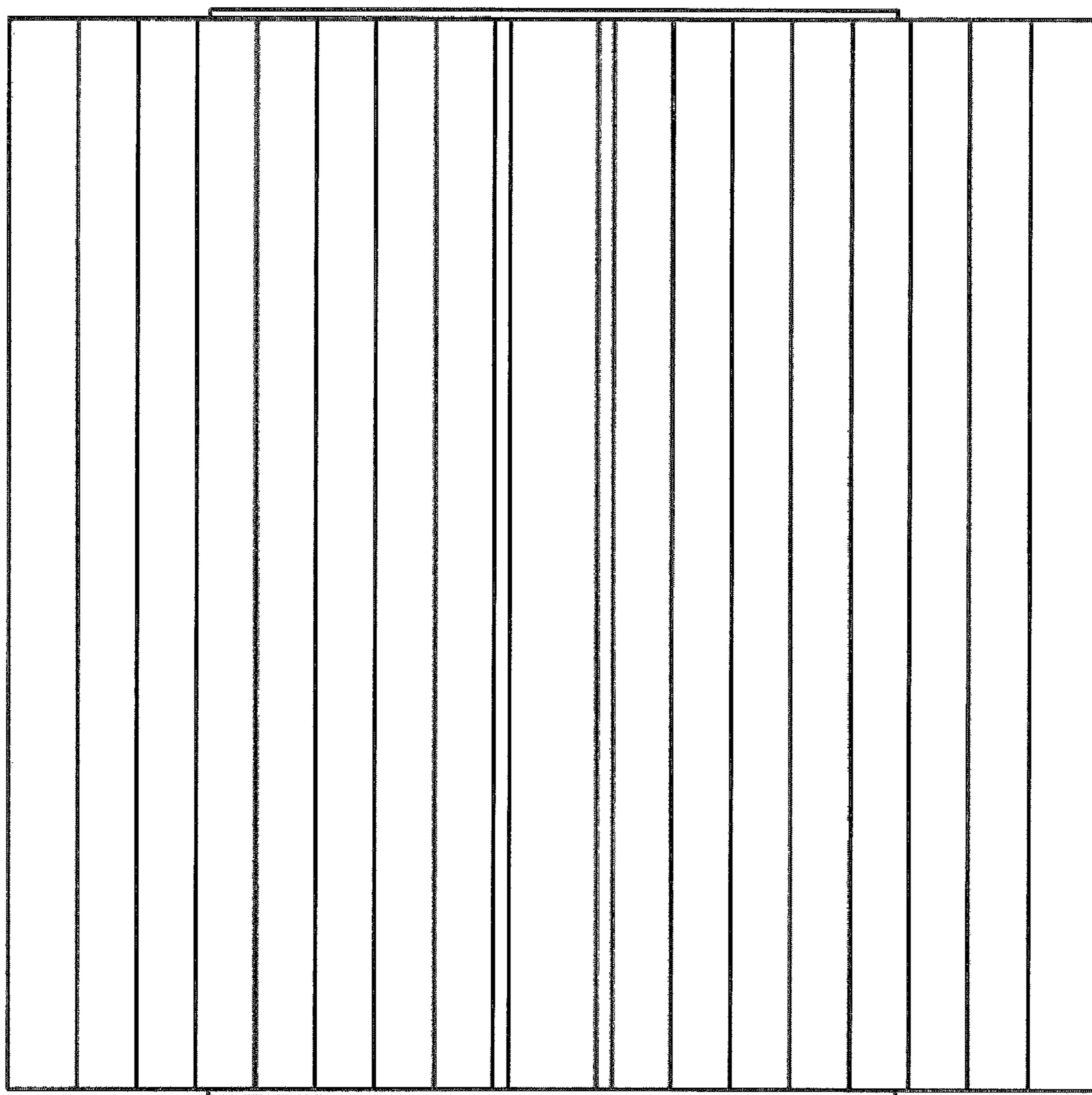


FIG. 4

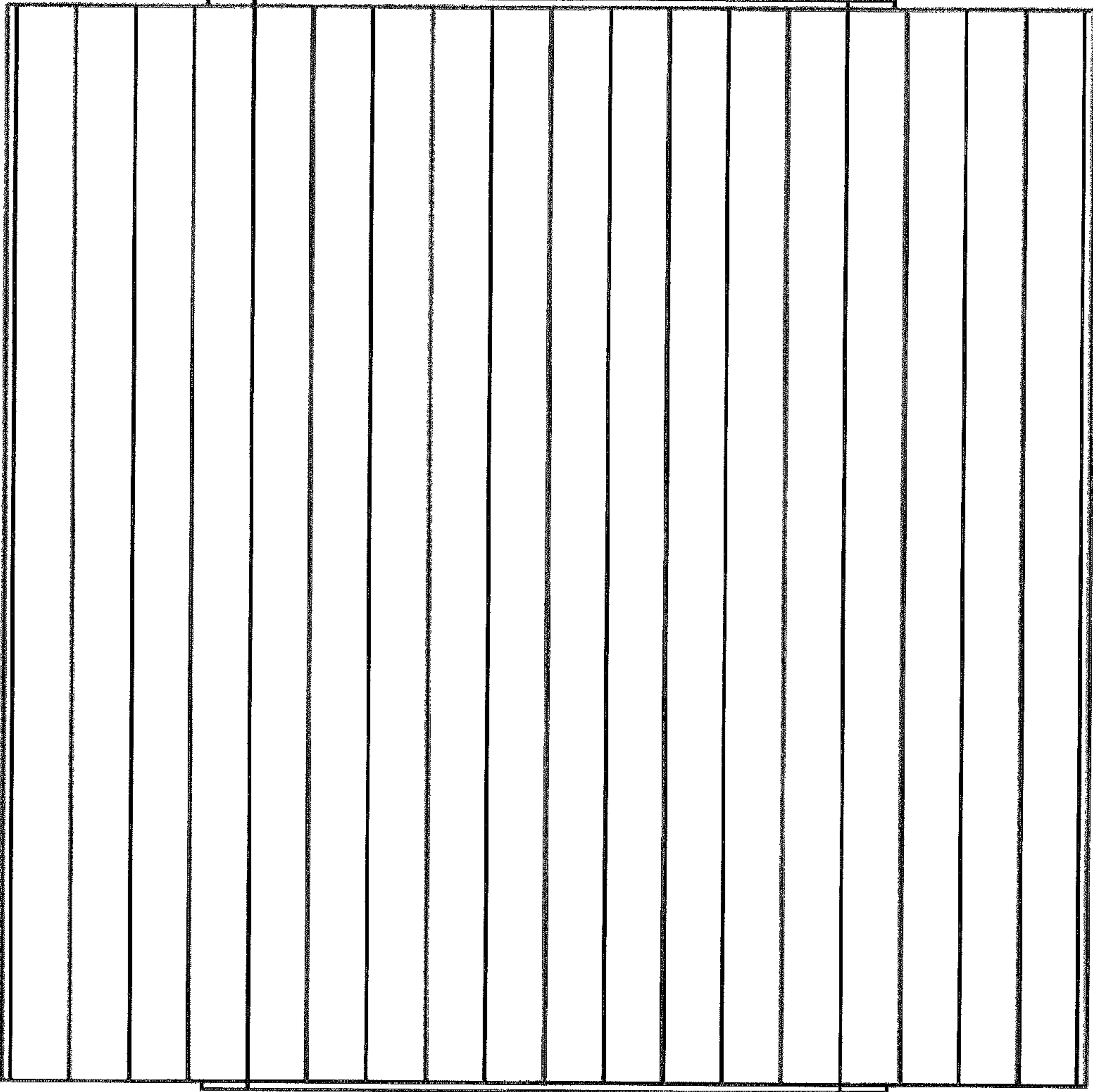


FIG. 5