



US00D669737S

(12) **United States Design Patent**  
**Nemeth et al.**

(10) **Patent No.:** **US D669,737 S**

(45) **Date of Patent:** **\*\* Oct. 30, 2012**

(54) **TUMBLER**

(75) Inventors: **Christopher P. Nemeth**, Atlanta, GA  
(US); **Gunnar B. Olson**, Smyrna, GA  
(US); **Brandon L. Stroud**, Smyrna, GA  
(US); **Leon J. Scott, III**, Atlanta, GA  
(US)

(73) Assignee: **Bubba Brands, Inc.**, Smyrna, GA (US)

(\*\*) Term: **14 Years**

(21) Appl. No.: **29/389,709**

(22) Filed: **Apr. 15, 2011**

(51) **LOC (9) Cl.** ..... **07-01**

(52) **U.S. Cl.** ..... **D7/532; D7/523; D9/502**

(58) **Field of Classification Search** ..... D7/532,  
D7/523, 510, 511, 509, 624.1, 624.2, 619.1;  
D9/502; 220/703, 705, 592.16, 592.17, 738  
See application file for complete search history.

(56) **References Cited**

**U.S. PATENT DOCUMENTS**

D82,238 S *	10/1930	Parker	.....	D7/532
D108,421 S *	2/1938	Brill	.....	D7/532
D112,560 S *	12/1938	Cunningham	.....	D7/532
D119,754 S *	4/1940	Hutchison	.....	D7/523
D120,134 S *	4/1940	Morrison	.....	D7/532
D179,984 S	4/1957	Salamon		
D257,715 S	12/1980	Pettengill		
D266,649 S *	10/1982	Plewes et al.	.....	D9/503
D268,289 S *	3/1983	Diebold	.....	D27/124
D309,847 S	8/1990	Scheurer		
D310,781 S	9/1990	Scott		
D440,498 S	4/2001	Buxton et al.		
D457,395 S *	5/2002	Gluck	.....	D7/510
D464,264 S	10/2002	Edson et al.		
D481,951 S	11/2003	Scott		
D490,654 S	6/2004	Allen et al.		
D492,602 S	7/2004	Sleeman		
D499,649 S *	12/2004	Olivares et al.	.....	D9/502

D507,458 S *	7/2005	Allen et al.	.....	D7/532
D509,754 S	9/2005	Scott et al.		
D517,923 S	3/2006	Iturriza		
D526,827 S	8/2006	Allen et al.		
D529,749 S	10/2006	Allen et al.		
D530,981 S *	10/2006	Bin	.....	D7/510
D539,608 S *	4/2007	Lapsker	.....	D7/510
D551,895 S	10/2007	Allen et al.		
D560,874 S	1/2008	Brans		
D572,082 S *	7/2008	Kortleven	.....	D7/510
D587,967 S *	3/2009	Wahl	.....	D7/510
D603,707 S *	11/2009	Lourenco et al.	.....	D9/502

(Continued)

**OTHER PUBLICATIONS**

Copending U.S. Appl. No. 29/387,025, entitled "Stout Beverage Bottle" and filed Mar. 8, 2011.

(Continued)

*Primary Examiner* — Marianne Pandozzi

(74) *Attorney, Agent, or Firm* — Wong, Cabello, Lutsch, Rutherford & Brucculeri, LLP

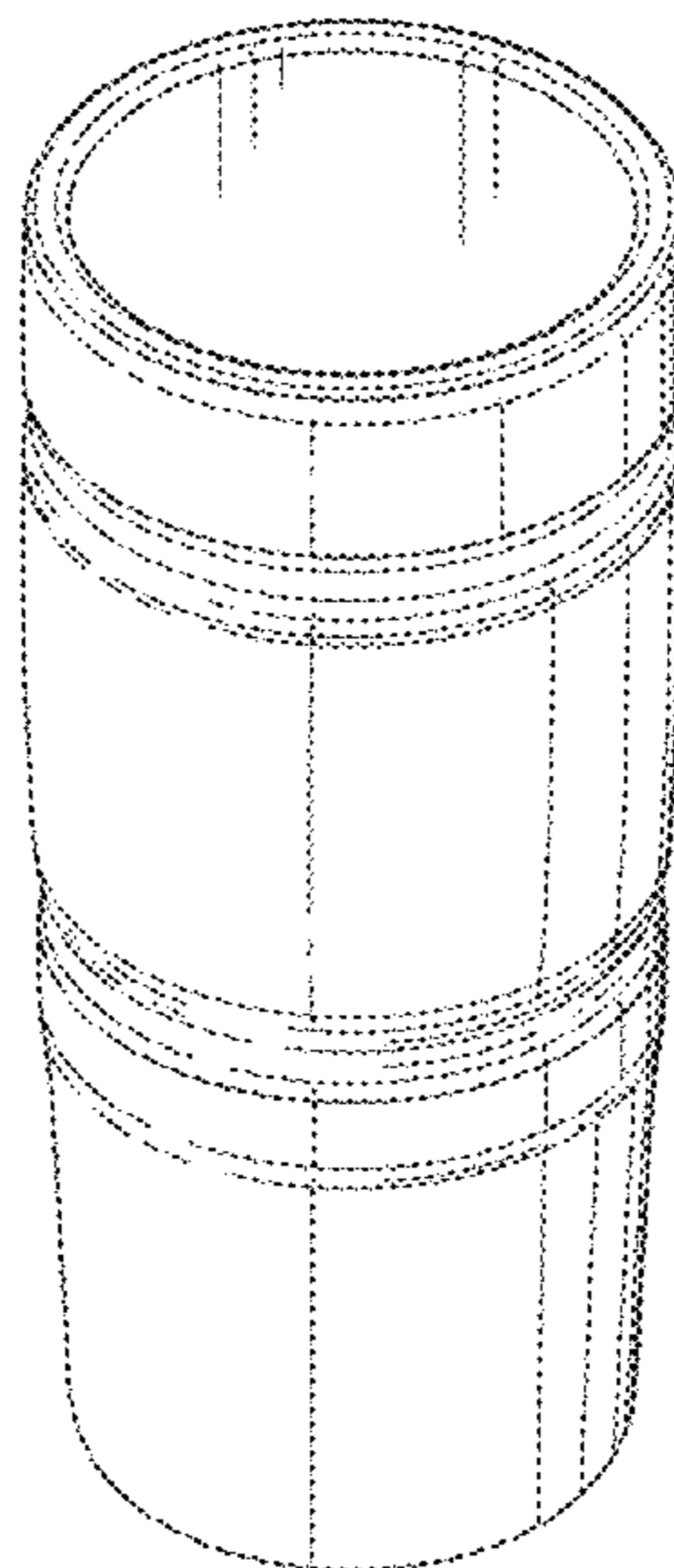
(57) **CLAIM**

The ornamental design for a tumbler, as shown and described.

**DESCRIPTION**

FIG. 1 is a perspective view of a tumbler showing our new design.  
FIG. 2 is an elevation view of a side of the tumbler.  
FIG. 3 is an elevation view of an opposite side of the tumbler—each of the other side views being identical.  
FIG. 4 is a top view thereof.  
FIG. 5 is a bottom view thereof; and,  
FIG. 6 is an in-use perspective view thereof.  
The broken lines showing in FIGS. 4-5 and showing the lid in FIG. 6 are for illustrative purposes only and form no part of the claimed design.

**1 Claim, 4 Drawing Sheets**



# US D669,737 S

Page 2

---

## U.S. PATENT DOCUMENTS

D657,246 S \* 4/2012 Nemeth et al. .... D9/502  
D657,247 S \* 4/2012 Nemeth et al. .... D9/502

## OTHER PUBLICATIONS

Copending U.S. Appl. No. 29/387,021, entitled "Beverage Bottle"  
and filed Mar. 8, 2011.

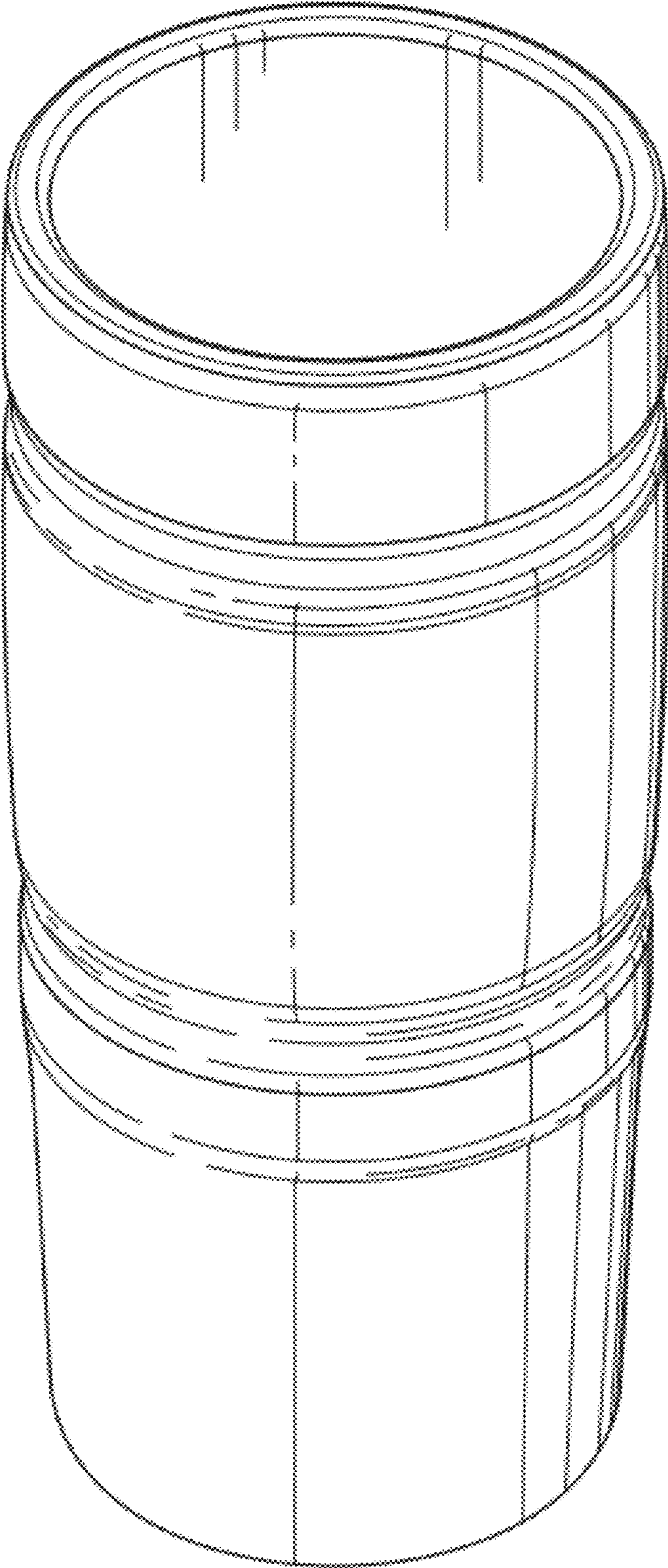
Copending U.S. Appl. No. 29/387,023, entitled "Tall Beverage  
Bottle" and filed Mar. 8, 2011.

Notice of Allowance in U.S. Appl. No. 29/387,023, mailed Feb. 29,  
2012.

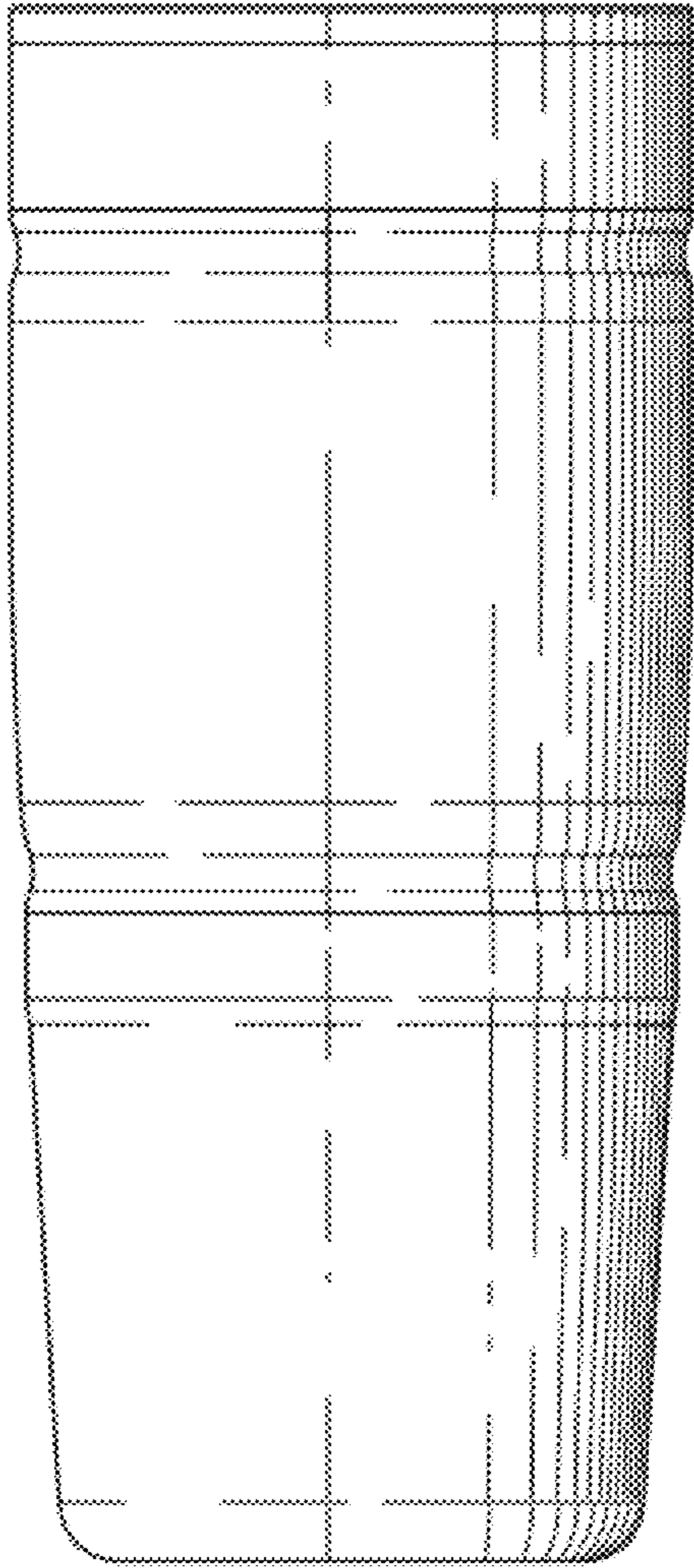
Office Action in U.S. Appl. No. 29/387,021, mailed Jan. 5, 2012.

Notice of Allowance in U.S. Appl. No. 29/387,025, mailed Dec. 2,  
2011.

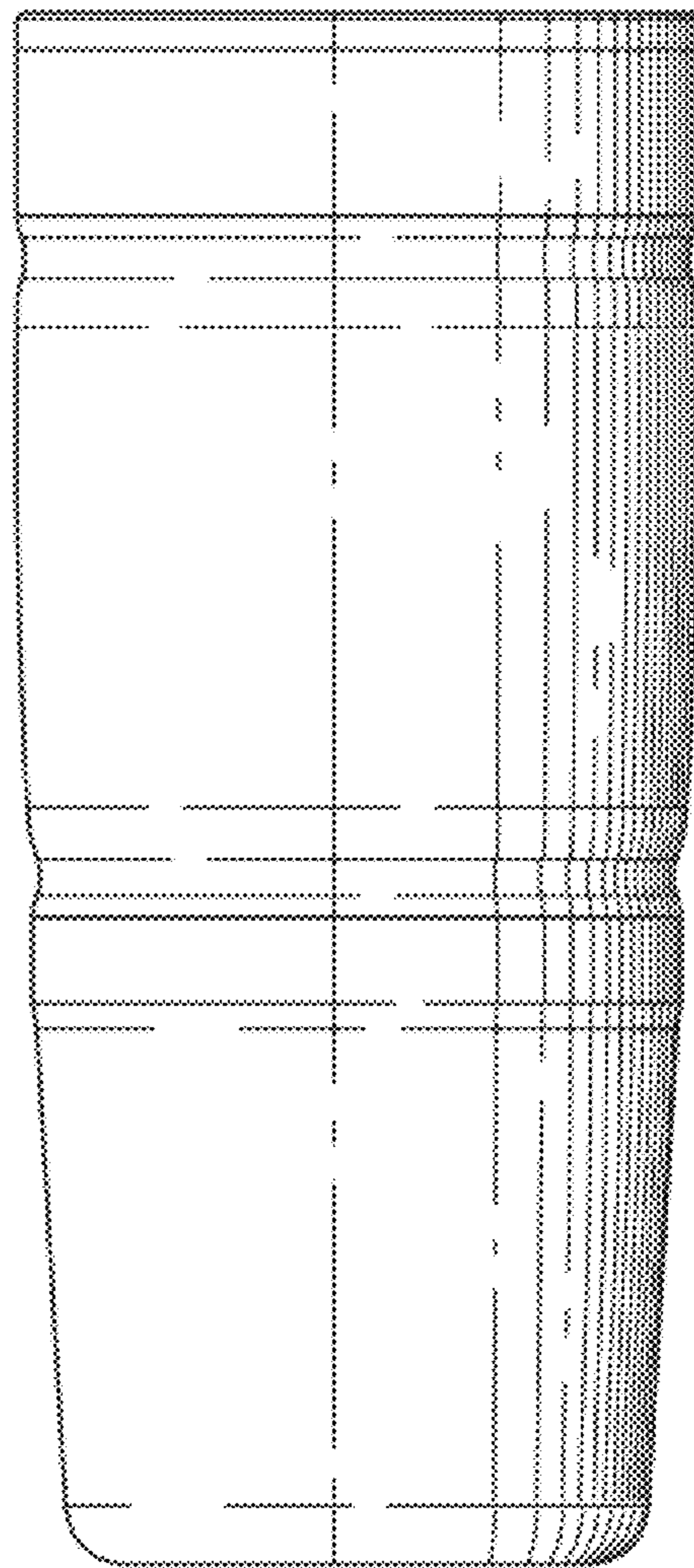
\* cited by examiner



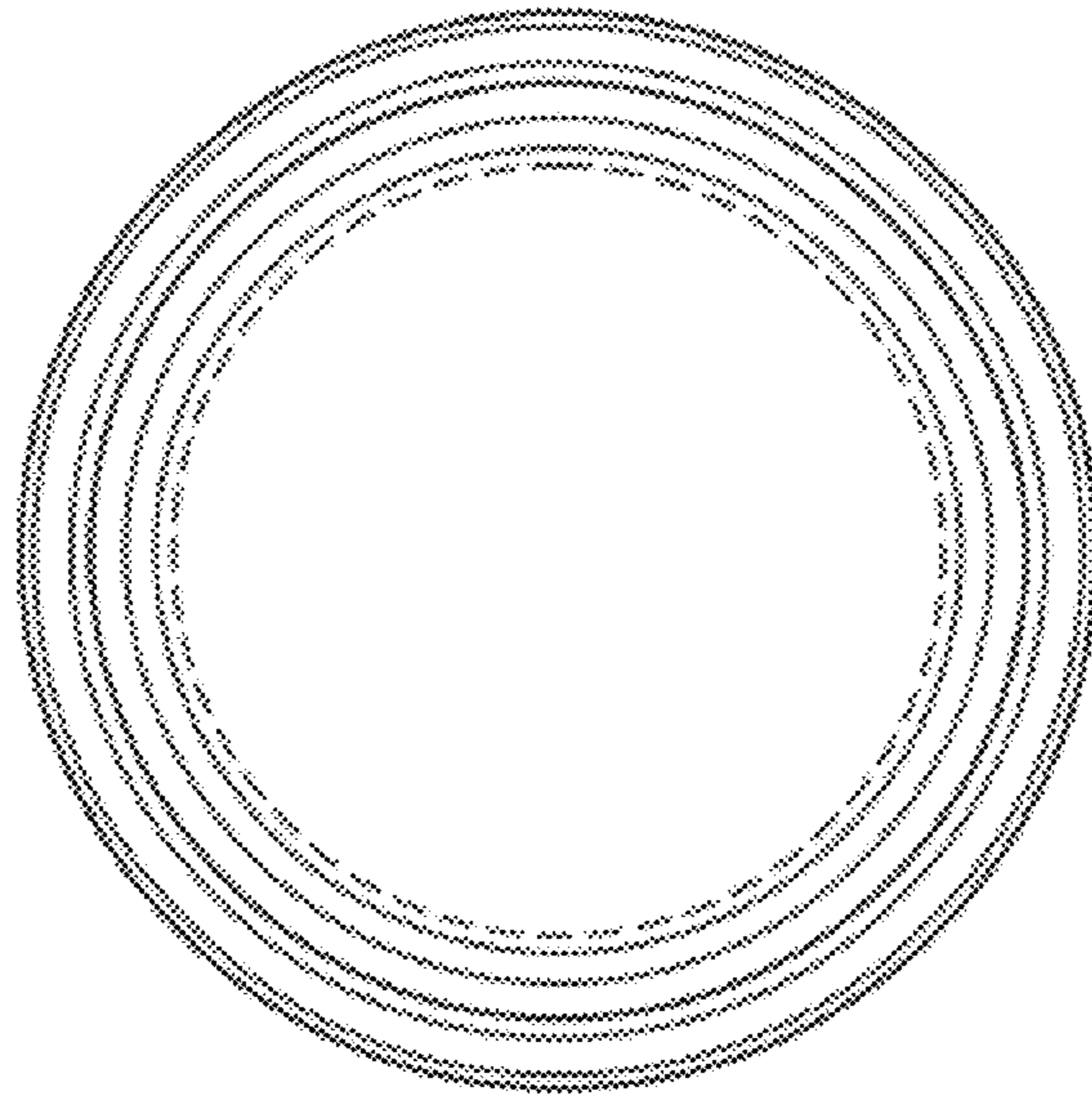
**FIG. 1**



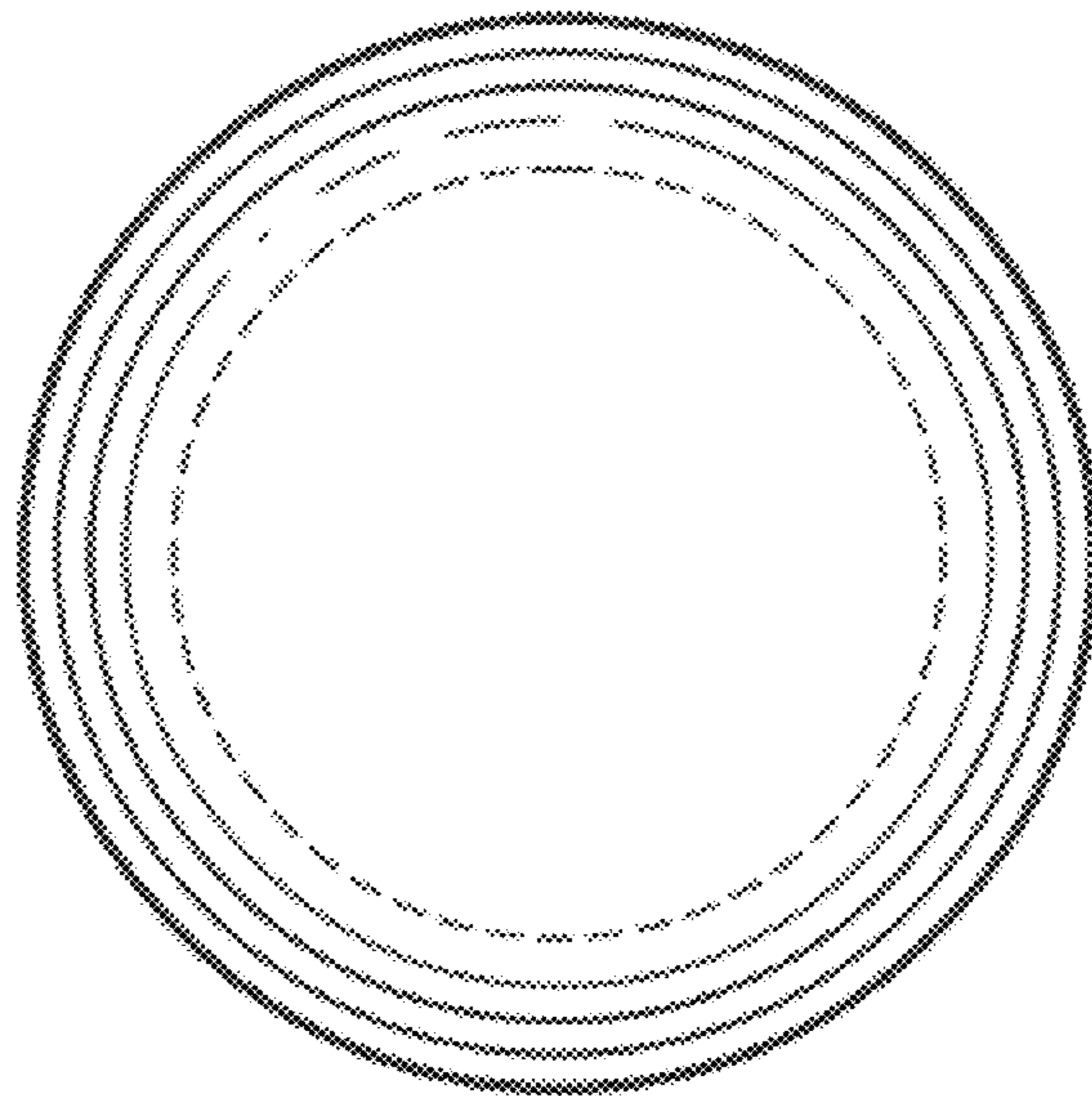
**FIG. 2**



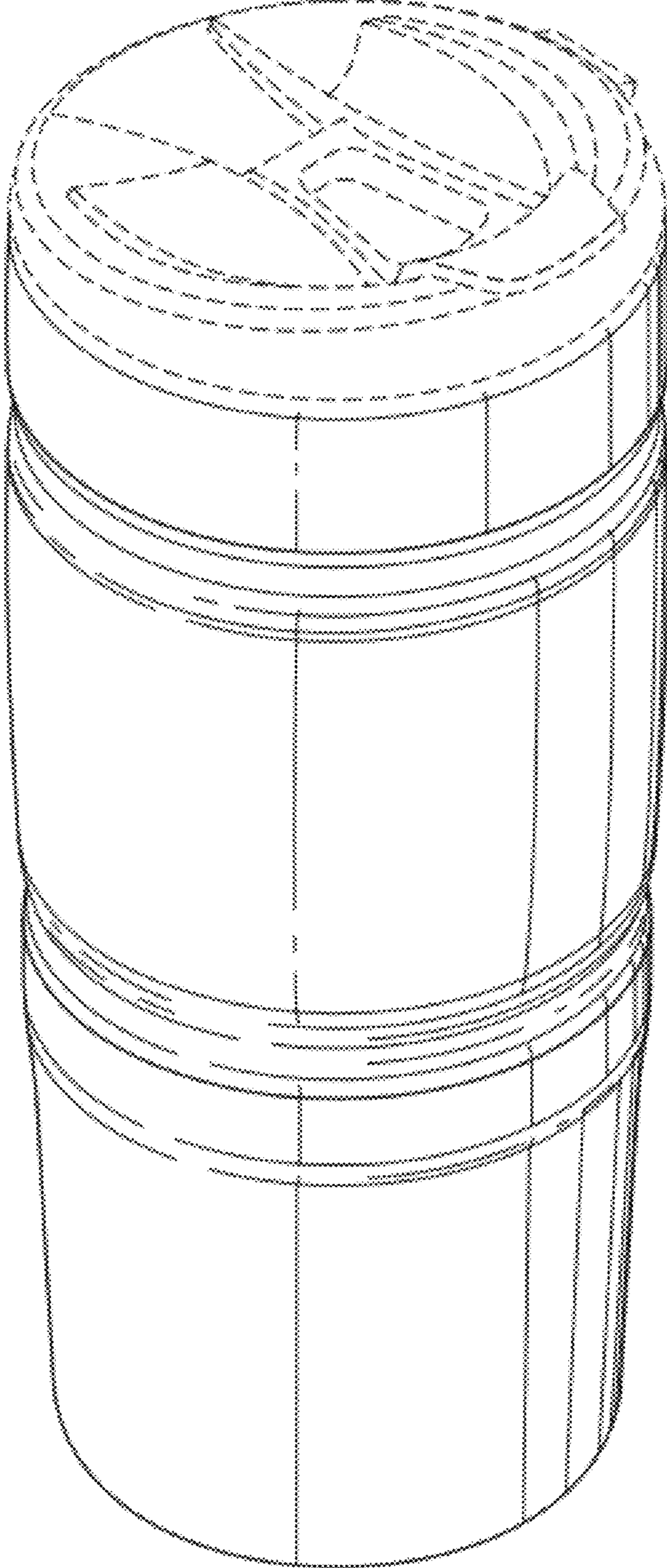
**FIG. 3**



**FIG. 4**



**FIG. 5**



**FIG. 6**