



US00D669733S

(12) **United States Design Patent**  
**Jewett et al.**

(10) **Patent No.:** **US D669,733 S**

(45) **Date of Patent:** **\*\* Oct. 30, 2012**

(54) **COVER FOR CHILD DRINKING SPOUT**

D566,549 S \* 4/2008 Russell et al. .... D9/445  
D609,528 S \* 2/2010 Roehrig et al. .... D7/510  
D627,595 S \* 11/2010 Jennings ..... D7/392.1

(75) Inventors: **Ethan Jewett**, Portland, OR (US); **Jeff Cresswell**, Chico, CA (US); **Casey Howard Hopkins**, Portland, OR (US); **Brett Renlund**, Forest Ranch, CA (US)

\* cited by examiner

*Primary Examiner* — Cynthia M Chin

(73) Assignee: **Klean Kanteen, Inc.**, Chico, CA (US)

(74) *Attorney, Agent, or Firm* — Alleman Hall McCoy Russell & Tuttle LLP

(\*\*) Term: **14 Years**

(57) **CLAIM**

The ornamental design for a cover for child drinking spout, as shown and described.

(21) Appl. No.: **29/396,661**

**DESCRIPTION**

(22) Filed: **Jul. 5, 2011**

(51) **LOC (9) Cl.** ..... **07-02**

FIG. 1. is a right perspective view of a cover for child drinking spout according to the present invention, showing the cover separated from the child drinking spout.

(52) **U.S. Cl.** ..... **D7/392.1**

FIG. 2 is a right perspective view of the cover for child drinking spout of FIG. 1, showing the cover fitted onto the child drinking spout.

(58) **Field of Classification Search** ..... D7/509–511,  
D7/516, 534, 392, 392.1, 296.1, 608, 900;  
D9/440, 443, 446, 447, 689; D24/197–199;  
220/295, 301, 361, 603, 710.5, 713–715,  
220/717, 719, 721; 215/11.1, 11.4, 11.6,  
215/354, 396, 398, 902

FIG. 3 is a top plan view of the cover for child drinking spout bottle of FIG. 1.

See application file for complete search history.

FIG. 4 is a bottom plan view of the cover for child drinking spout of FIG. 1.

(56) **References Cited**

FIG. 5 is a front view of the cover for child drinking spout of FIG. 1.

**U.S. PATENT DOCUMENTS**

4,961,510 A \* 10/1990 Dvoracek ..... 220/713  
D326,796 S \* 6/1992 Kawano ..... D7/510  
5,645,191 A \* 7/1997 Neville ..... 220/717  
D436,535 S \* 1/2001 Kerr et al. .... D9/445  
D446,685 S \* 8/2001 Atkin et al. .... D7/510  
6,305,584 B1 \* 10/2001 Dobobrov et al. .... 222/568  
D461,361 S \* 8/2002 Orr et al. .... D7/392.1

FIG. 6 is a rear view of the cover for child drinking spout of FIG. 1; and,

FIG. 7 is a left side view of the cover for child drinking spout of FIG. 1.

The dashed lines in the figures are for environmental purposes only and form no part of the claimed design.

**1 Claim, 3 Drawing Sheets**

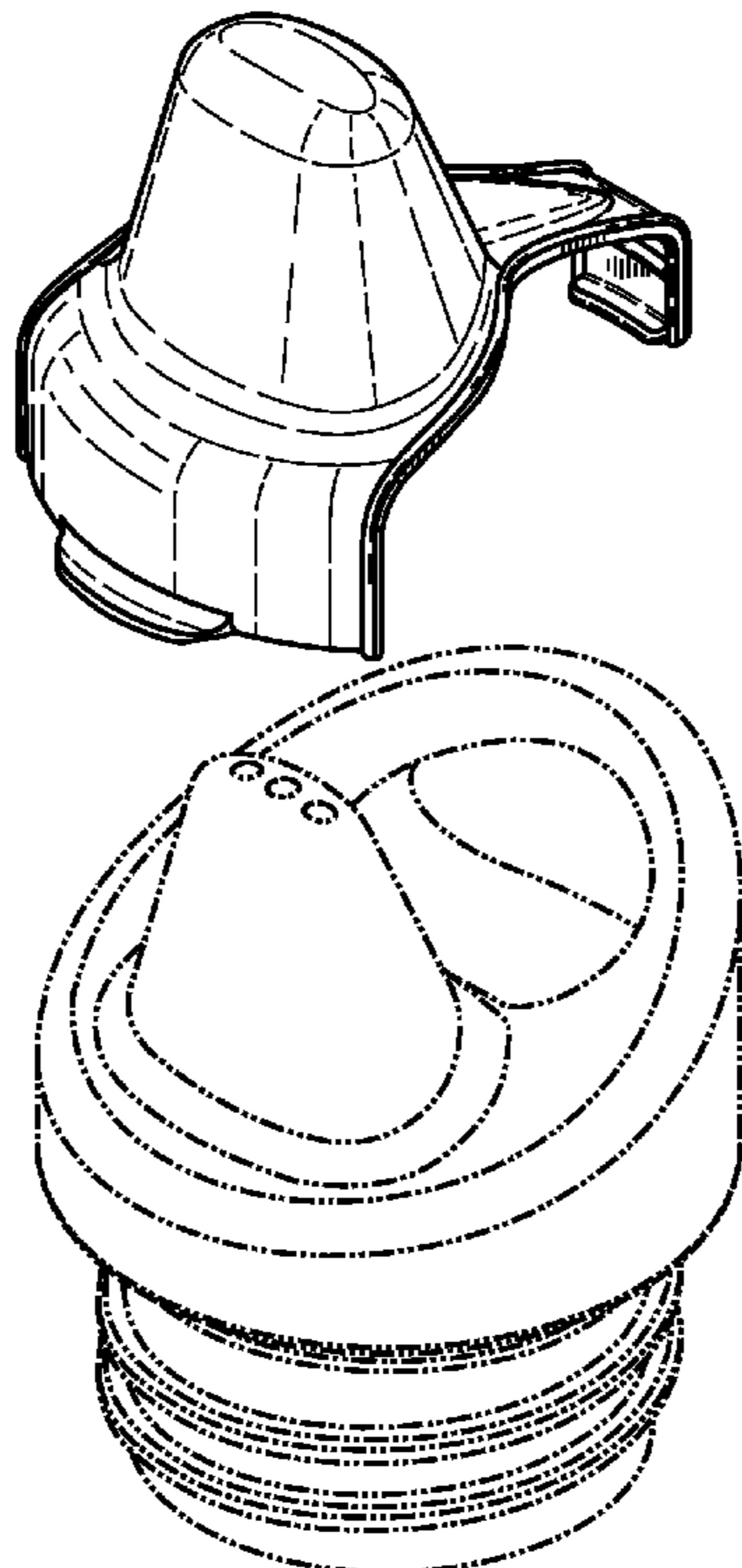


Fig. 1

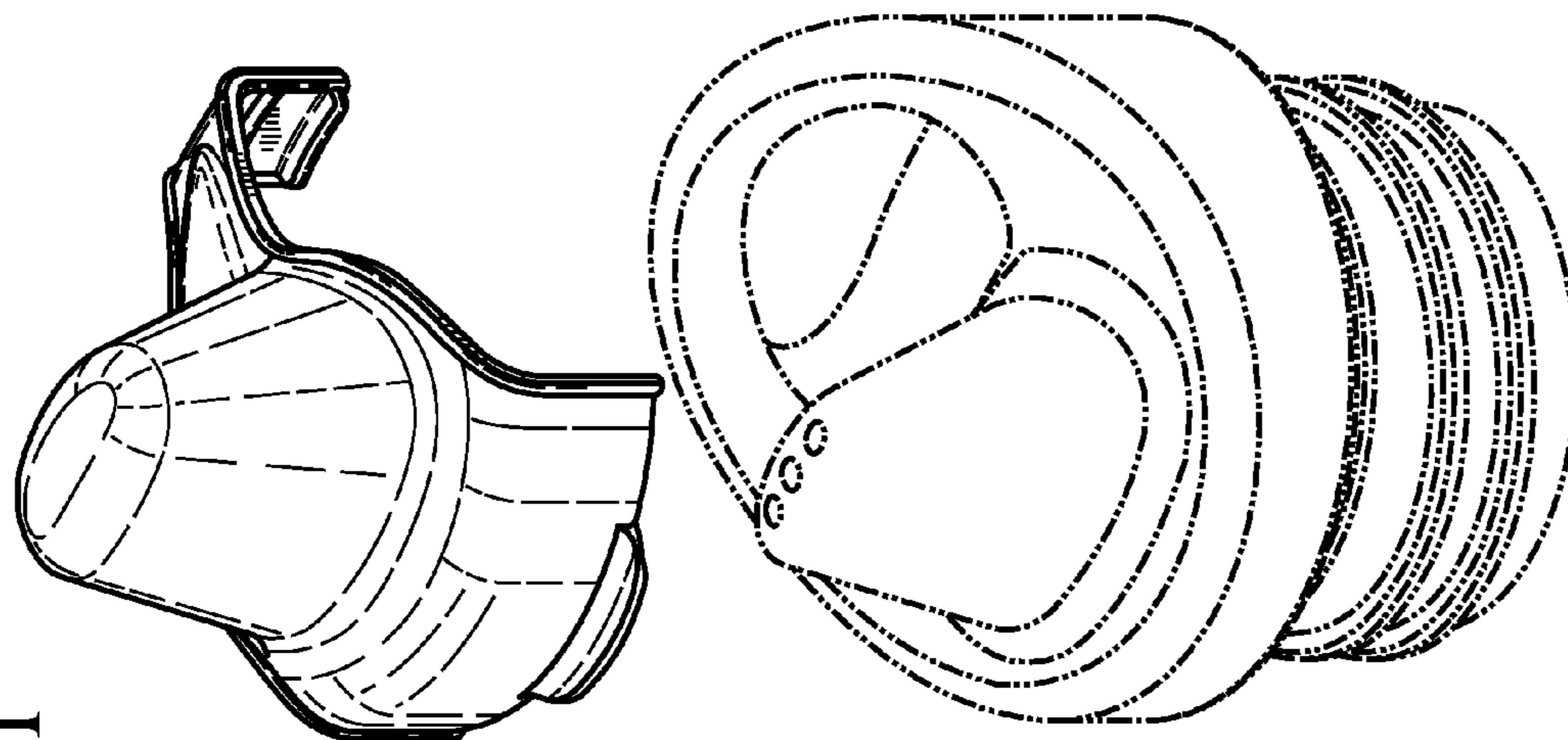


Fig. 2

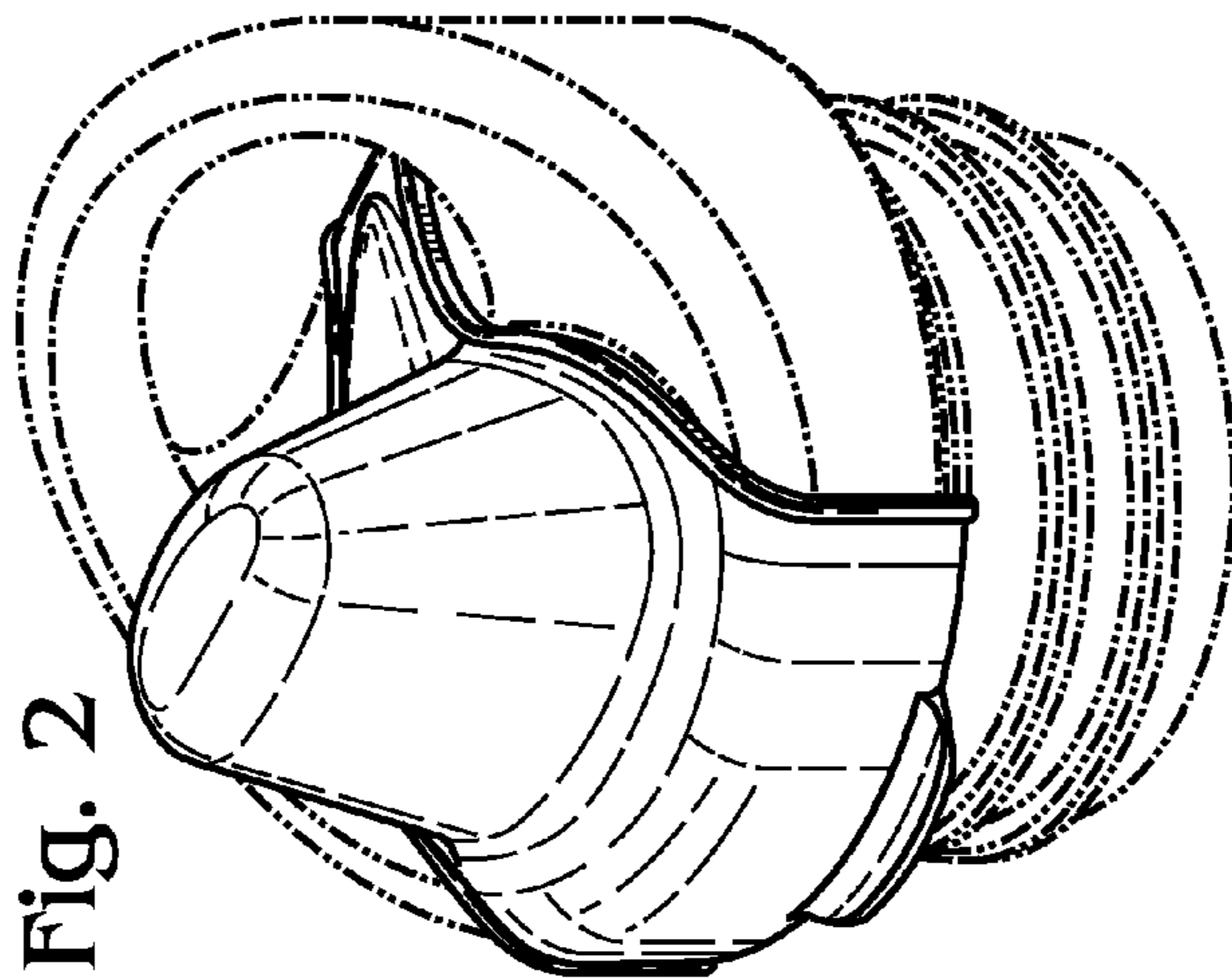


Fig. 3

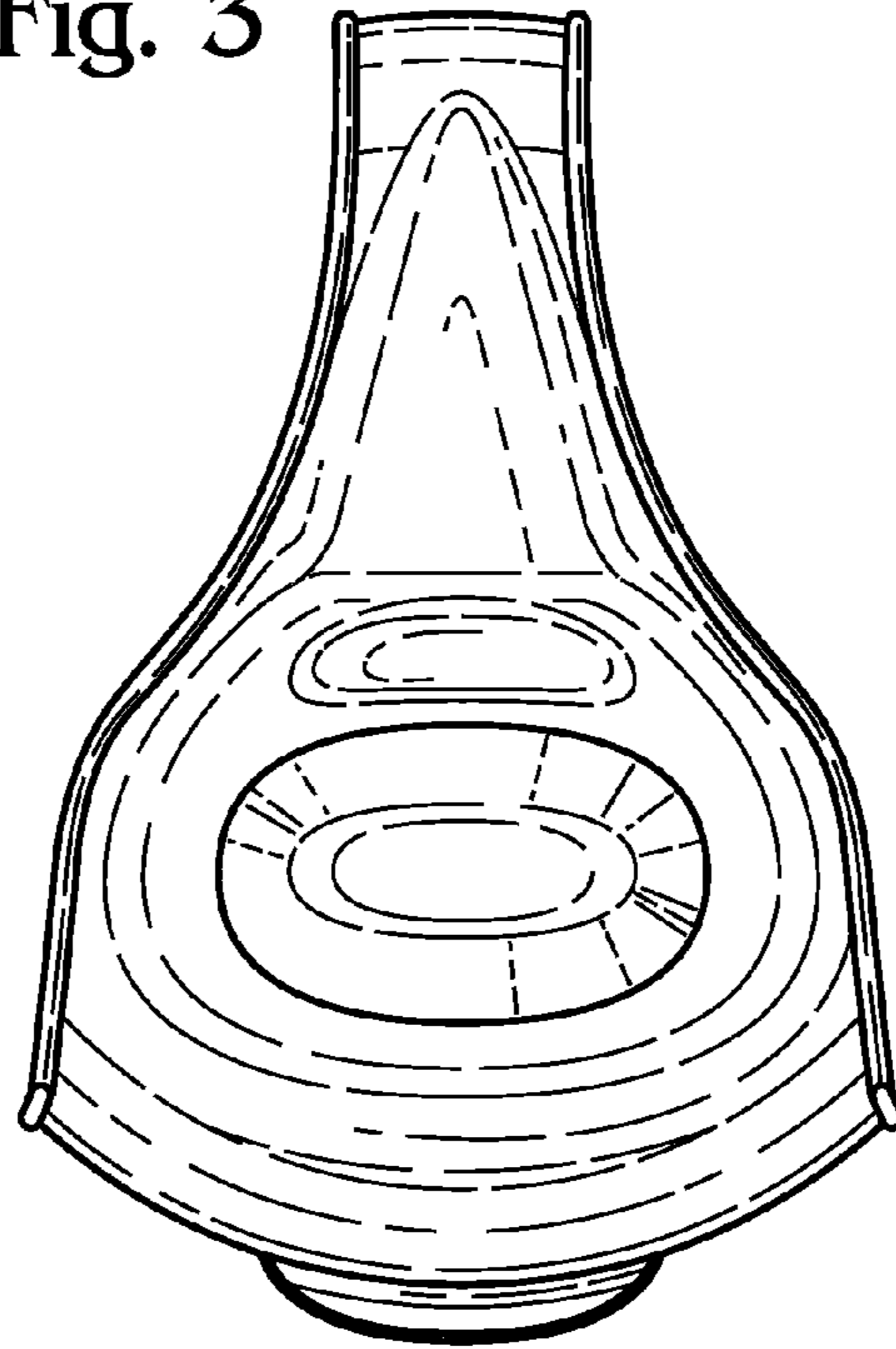


Fig. 4

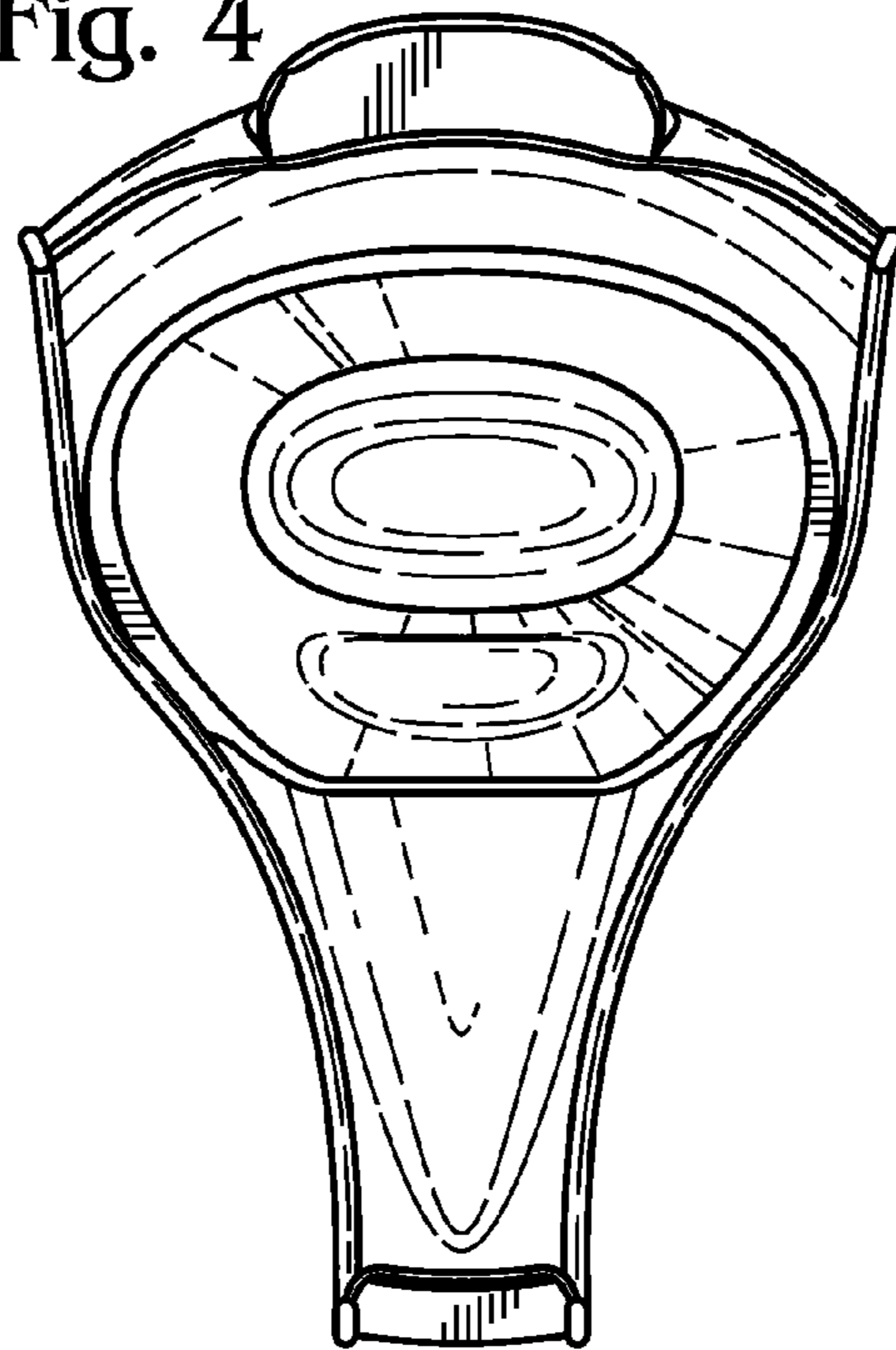


Fig. 5

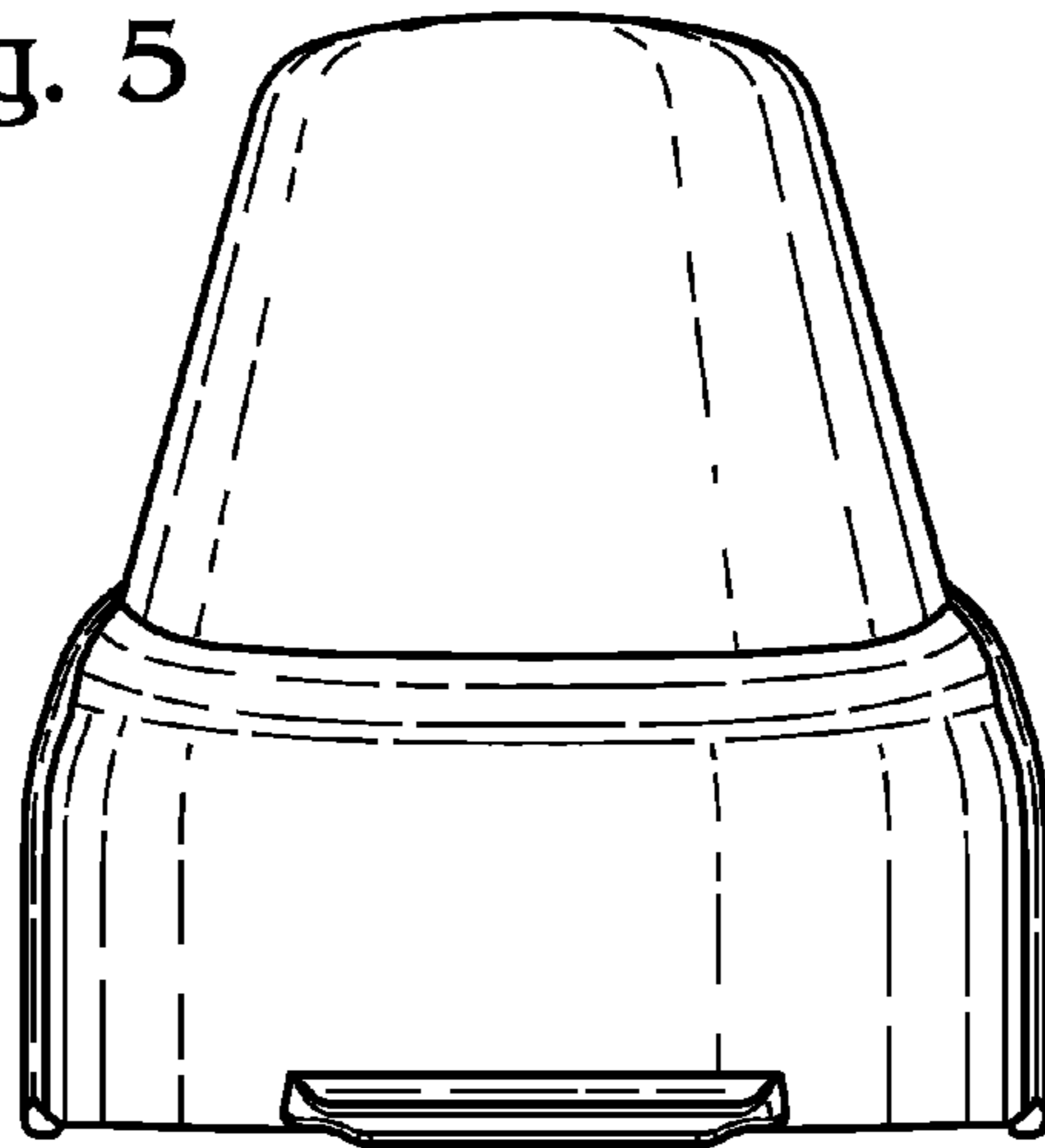


Fig. 6

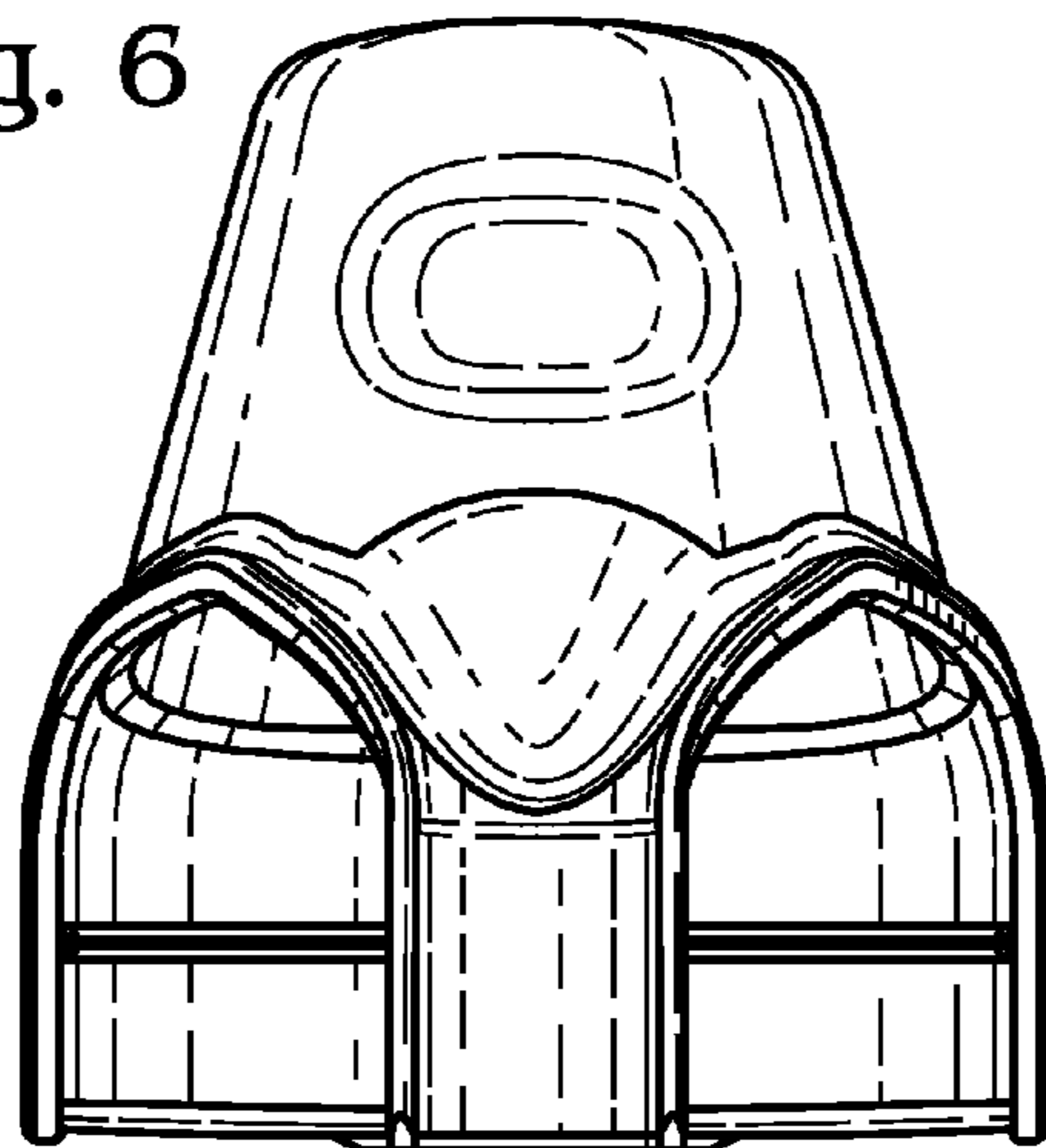


Fig. 7

