

US00D669732S

(12) **United States Design Patent**
Hopkins et al.

(10) **Patent No.:** **US D669,732 S**
(45) **Date of Patent:** **** Oct. 30, 2012**

(54) **CHILD DRINKING CAP FOR REUSABLE BOTTLE**
(75) Inventors: **Casey Howard Hopkins**, Portland, OR (US); **Ethan Jewett**, Portland, OR (US); **Jeff Cresswell**, Chico, CA (US); **Michelle Kalberer**, Chico, CA (US); **Brett Renlund**, Forest Ranch, CA (US)

(73) Assignee: **Klean Kanteen, Inc.**, Chico, CA (US)

(**) Term: **14 Years**

(21) Appl. No.: **29/396,657**

(22) Filed: **Jul. 5, 2011**

(51) **LOC (9) Cl.** **07-02**

(52) **U.S. Cl.** **D7/392.1**

(58) **Field of Classification Search** D7/509-511, D7/516, 534, 392, 392.1, 296.1, 608, 900; D9/440, 443, 446, 447, 689; D24/197-199; 220/295, 301, 361, 603, 710.5, 713-715, 220/717, 719, 721; 215/11.1, 11.4, 11.6, 215/354, 396, 398, 902

See application file for complete search history.

(56) **References Cited**

U.S. PATENT DOCUMENTS

D547,607 S * 7/2007 Forsman D7/396.2
D562,065 S * 2/2008 Smaldone D7/396.2
D586,184 S * 2/2009 Miller et al. D7/511
D592,905 S * 5/2009 Pinelli et al. D7/396.2
D592,913 S * 5/2009 Pinelli et al. D7/608
7,533,783 B2 * 5/2009 Choi et al. 220/714

D599,616 S 9/2009 Cresswell et al.
D613,110 S * 4/2010 Lane et al. D7/392.1
D620,355 S * 7/2010 Nardini D9/443
D634,161 S * 3/2011 Roth et al. D7/510
D654,793 S * 2/2012 Rosbach D9/447
D656,840 S * 4/2012 Tacconi et al. D9/689

* cited by examiner

Primary Examiner — Cynthia M Chin

(74) *Attorney, Agent, or Firm* — Alleman Hall McCoy Russell & Tuttle LLP

(57) **CLAIM**

The ornamental design for a child drinking cap for reusable bottle, as shown and described.

DESCRIPTION

FIG. 1. is a right perspective view of a child drinking cap for reusable bottle according to the present invention.

FIG. 2 is a bottom plan view of the child drinking cap for reusable bottle of FIG. 1.

FIG. 3 is a top plan view of the child drinking cap for reusable bottle of FIG. 1.

FIG. 4 is a front view of the child drinking cap for reusable bottle of FIG. 1.

FIG. 5 is a rear view of the child drinking cap for reusable bottle of FIG. 1.

FIG. 6 is a right side view of the child drinking cap for reusable bottle of FIG. 1; and,

FIG. 7 is a left side view of the child drinking cap for reusable bottle of FIG. 1.

The dashed lines in the figures are for environmental purposes only and form no part of the claimed design.

1 Claim, 3 Drawing Sheets

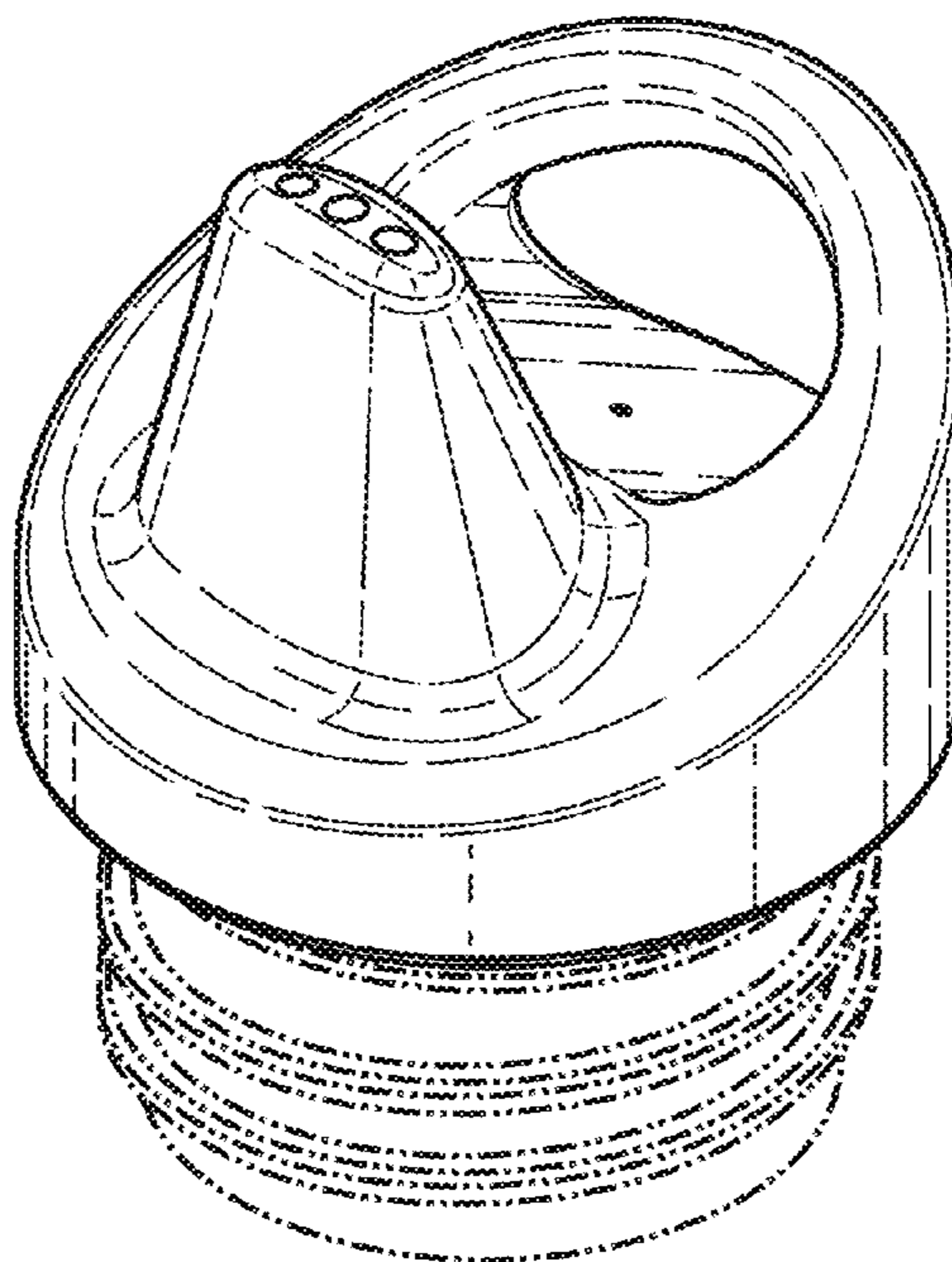


Fig. 1

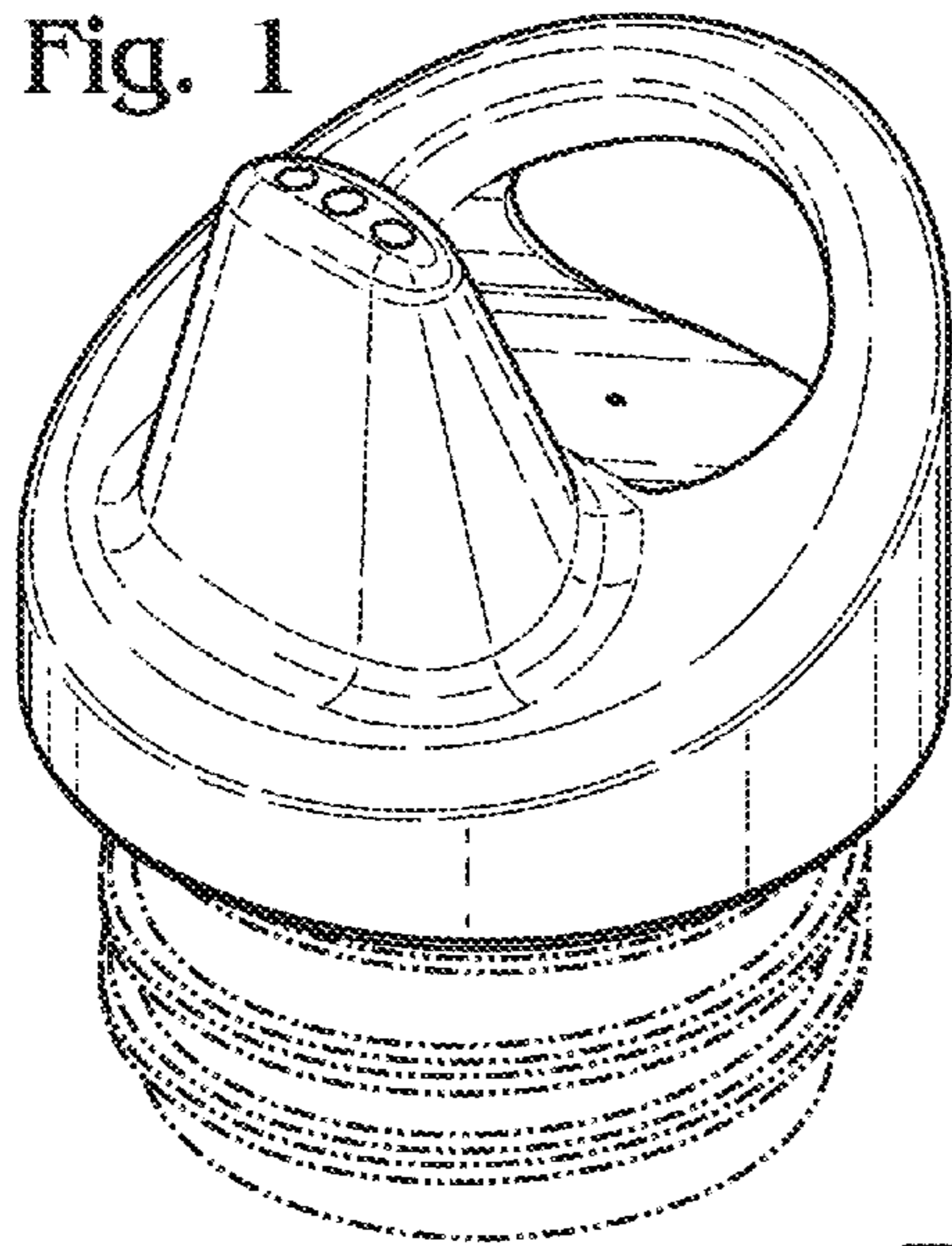


Fig. 2

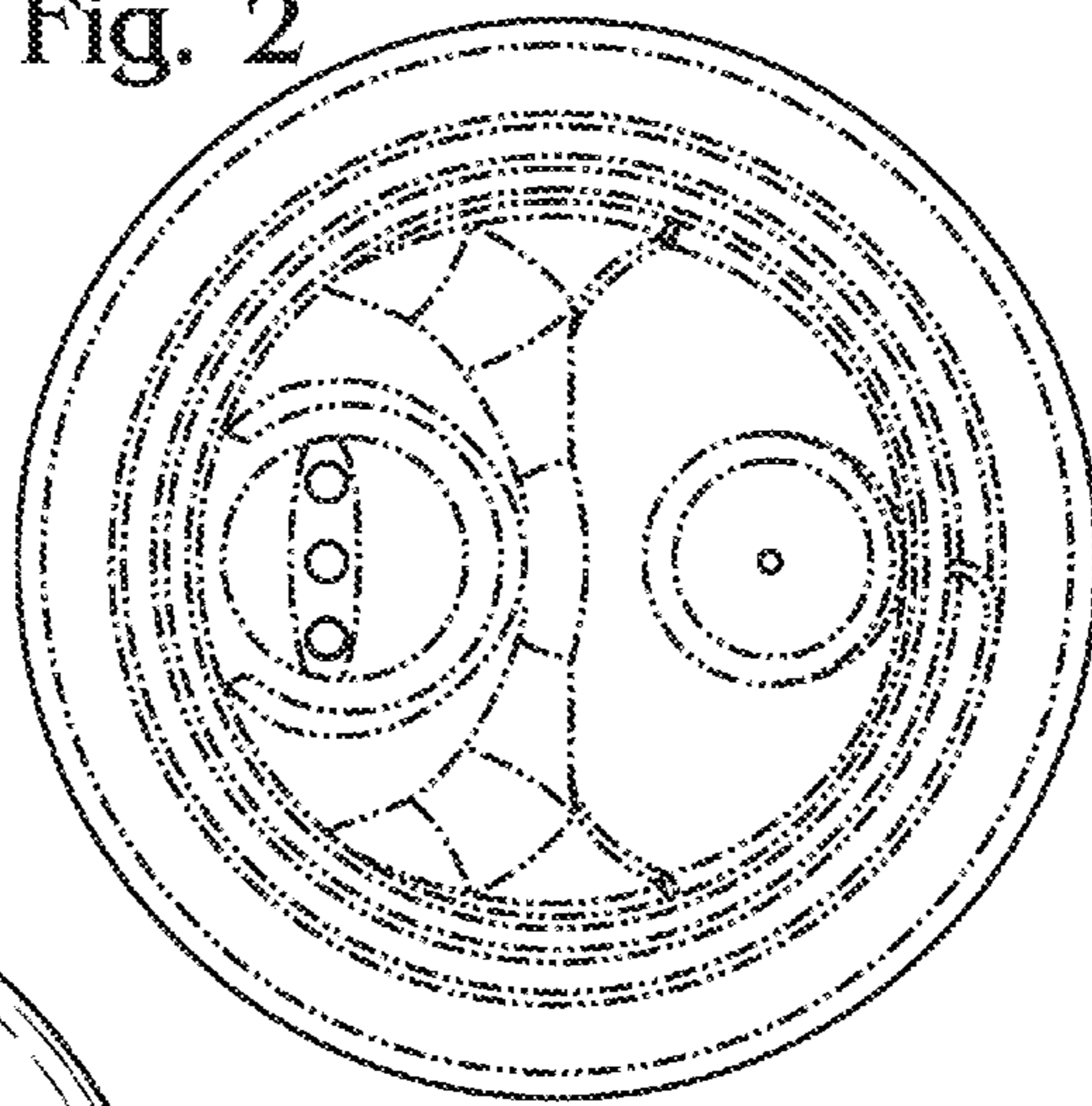


Fig. 3

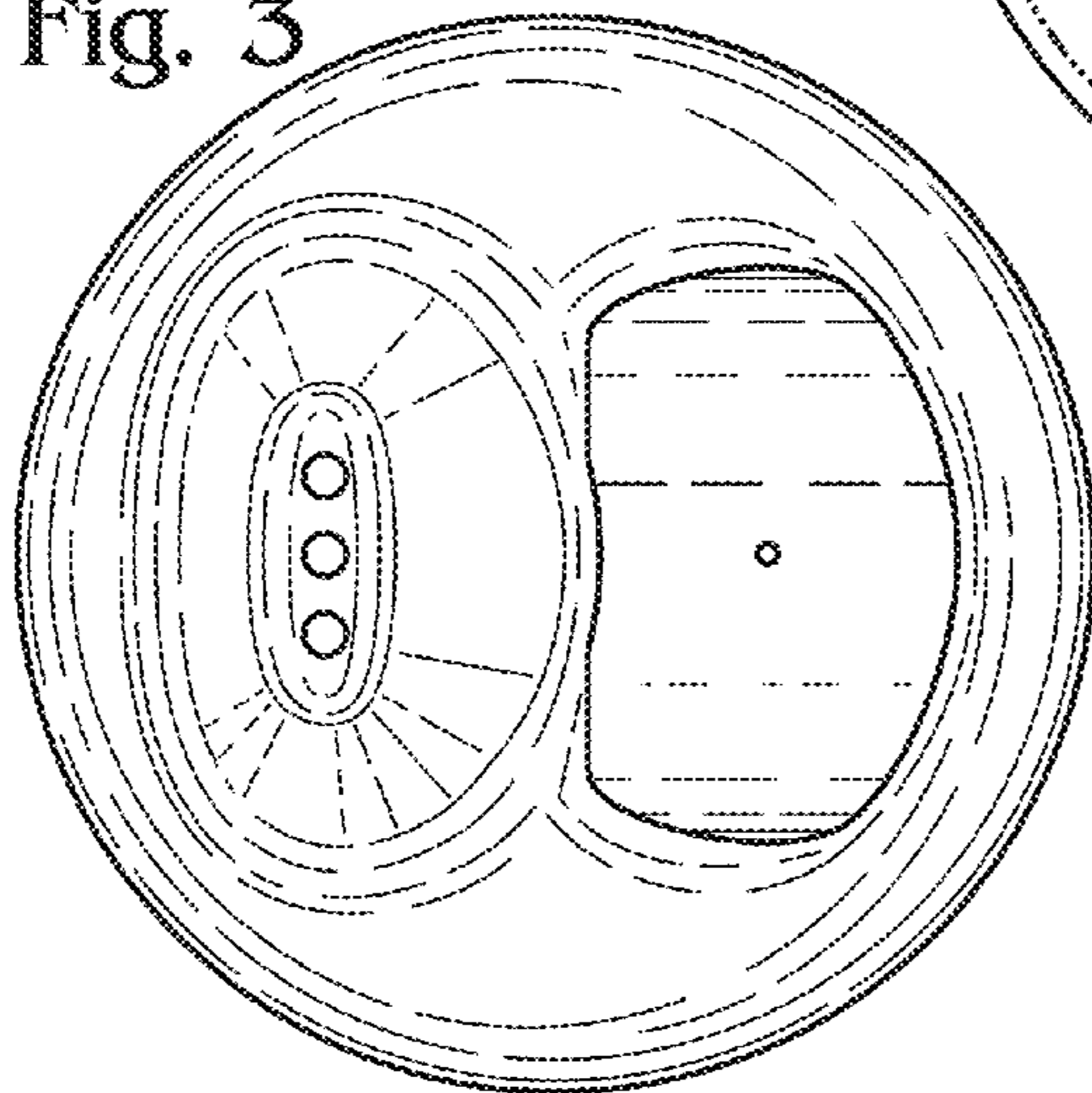


Fig. 4

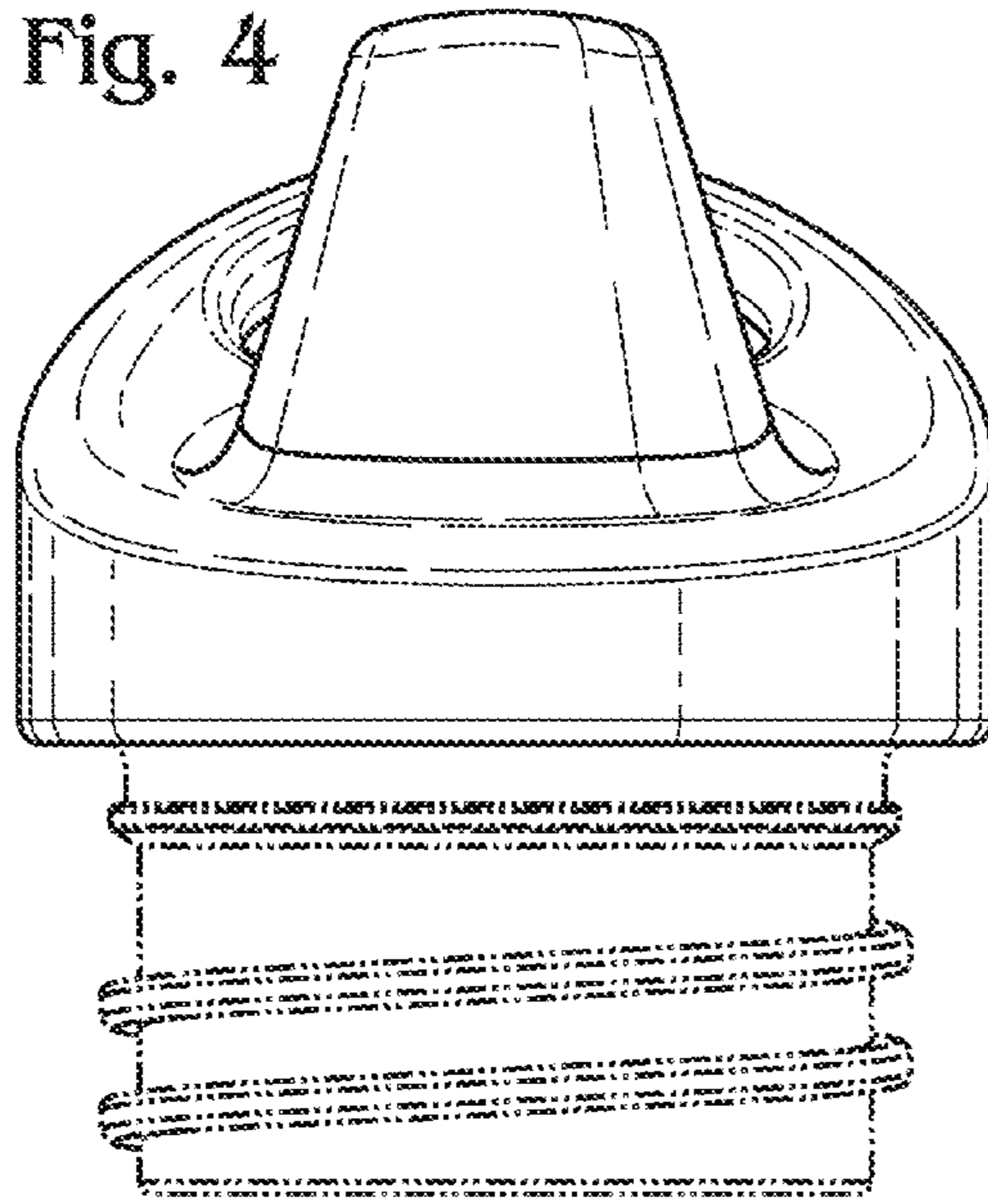


Fig. 5

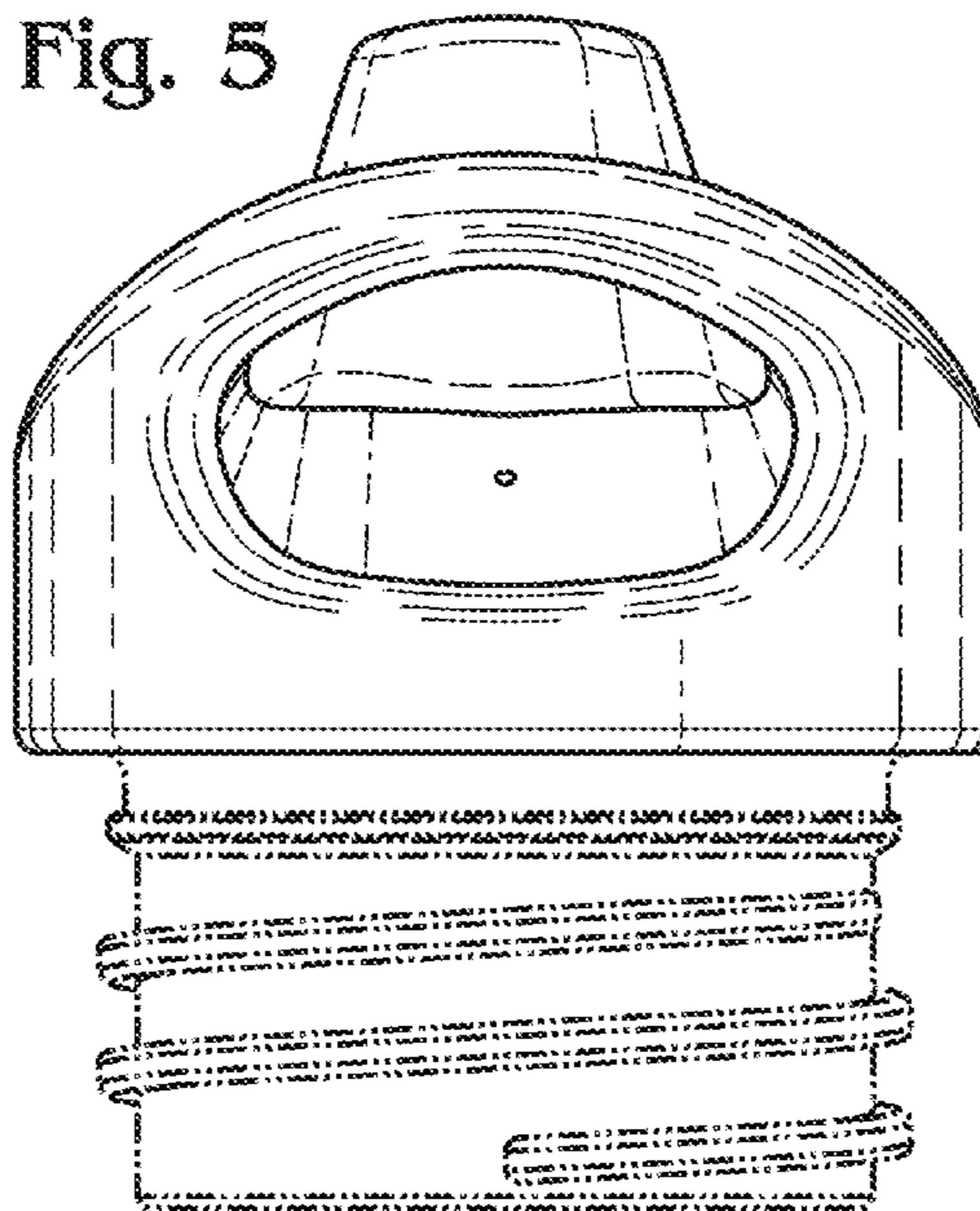


Fig. 6

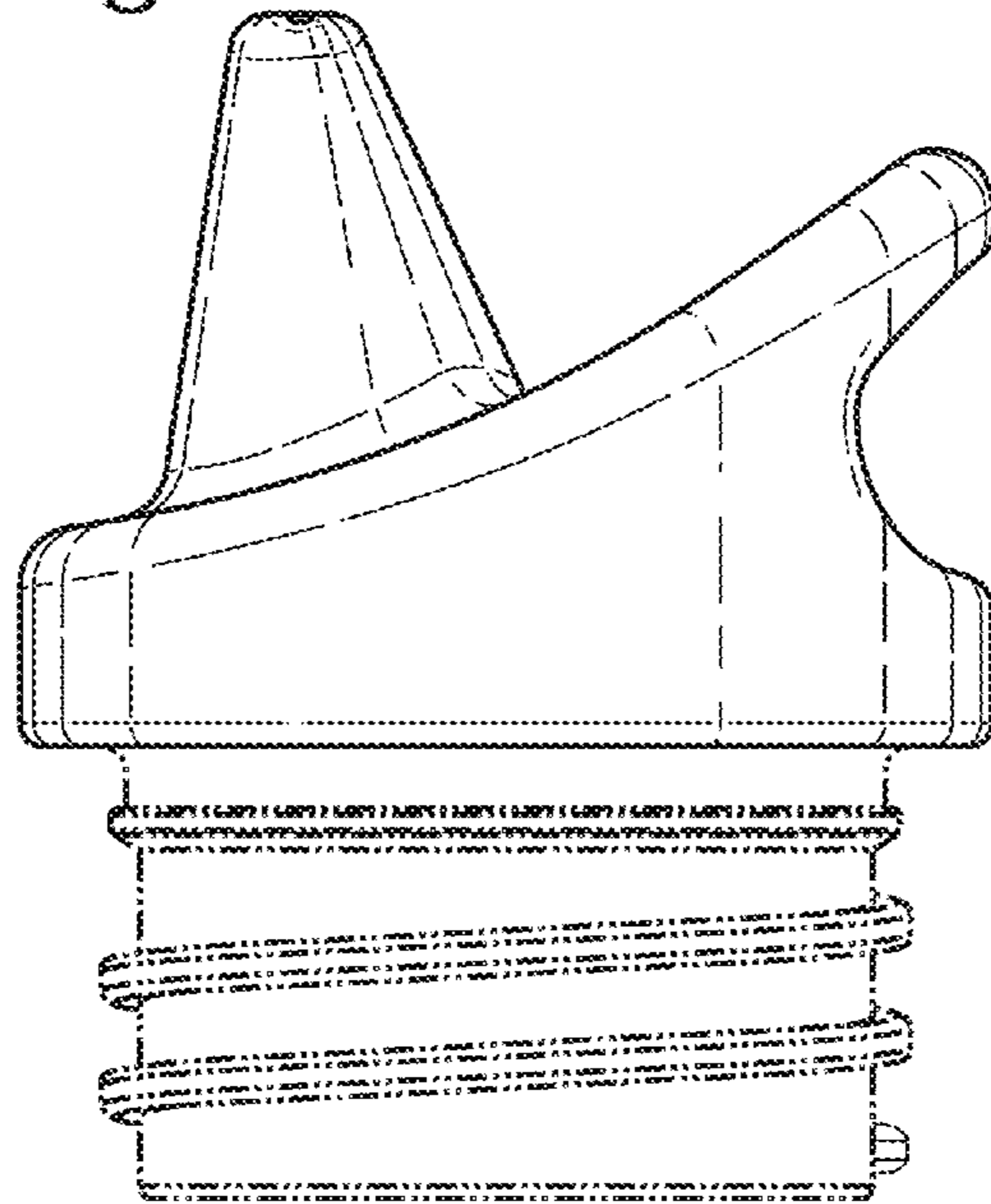


Fig. 7

