



US00D669731S

(12) **United States Design Patent**
Endres et al.

(10) **Patent No.:** **US D669,731 S**
(45) **Date of Patent:** **** Oct. 30, 2012**

(54) **MULTIPLE CROCK BUFFET SERVER**

(75) Inventors: **W. Eric Endres**, Olathe, KS (US); **Mark T. Krasne**, Kansas City, MO (US); **William S. Endres**, Leawood, KS (US)

(73) Assignee: **Select Brands, Inc.**, Lenexa, KS (US)

(**) Term: **14 Years**

(21) Appl. No.: **29/383,204**

(22) Filed: **Jan. 13, 2011**

(51) **LOC (9) Cl.** **07-02**

(52) **U.S. Cl.** **D7/364; D7/362**

(58) **Field of Classification Search** D7/323,
D7/352-366, 391, 402, 505, 538-545, 552.1,
D7/554.3-554.4, 560, 566, 585-588, 601-602,
D7/610-615, 628-629, 675; 99/324, 339-340,
99/347, 422-426, 446; 219/387, 417, 433;
220/23.2-23.8, 23.86, 573.1-573.3, 574-575,
220/657, 780-806, 912; 249/117-119, 121-122,
249/126, 134; 248/292.13

See application file for complete search history.

(56) **References Cited**

U.S. PATENT DOCUMENTS

D97,530 S *	11/1935	Knapp	D7/364
D101,329 S *	9/1936	Cory	D7/364
D107,453 S *	12/1937	Preston	D7/364
D132,252 S *	5/1942	Faunce	D7/353
D167,077 S *	6/1952	Gunther	D7/357
D171,000 S *	12/1953	Levine	D7/357
2,662,717 A *	12/1953	Johnson	248/292.13
2,731,539 A *	1/1956	Pavelka, Jr.	219/417
4,145,603 A *	3/1979	Mackay et al.	219/387
D260,958 S *	9/1981	Nishikawa	D7/357
D272,978 S *	3/1984	Gremponrez et al.	D7/357
4,850,556 A	7/1989	Otani et al.		
5,203,257 A	4/1993	Goad		
D420,246 S *	2/2000	Alonge et al.	D7/360
D425,360 S *	5/2000	Dobson et al.	D7/360
D437,181 S	2/2001	Park		
D481,264 S	10/2003	Morgan		
D488,670 S *	4/2004	Chan	D7/357
D507,452 S *	7/2005	Chan	D7/357

D511,643 S *	11/2005	Ball et al.	D7/360
D513,151 S *	12/2005	Currie	D7/364
D537,670 S *	3/2007	Genslak et al.	D7/354
D541,585 S *	5/2007	Lee	D7/364
D566,459 S *	4/2008	Doo	D7/364
D567,016 S *	4/2008	Chan	D7/364
D575,579 S	8/2008	Ball		
D607,266 S *	1/2010	Picozza et al.	D7/354
D610,395 S *	2/2010	Perkins	D7/364
D610,867 S *	3/2010	Chan	D7/364
D614,909 S *	5/2010	Lavy	D7/355
D617,134 S *	6/2010	Perkins	D7/364
D642,424 S *	8/2011	Lavy et al.	D7/364
D645,298 S *	9/2011	Saboe et al.	D7/366
D648,981 S *	11/2011	Lavy et al.	D7/364
D651,039 S *	12/2011	O'Neill et al.	D7/364
D651,845 S *	1/2012	O'Neill et al.	D7/364
D655,972 S *	3/2012	Foy	D7/364
8,242,415 B2 *	8/2012	Tippmann et al.	219/433
2007/0221667 A1	9/2007	Xu		
2008/0169280 A1	7/2008	Barnes et al.		
2009/0272749 A1	11/2009	Romandy et al.		

* cited by examiner

Primary Examiner — Ricky Pham

(74) *Attorney, Agent, or Firm* — Hovey Williams LLP

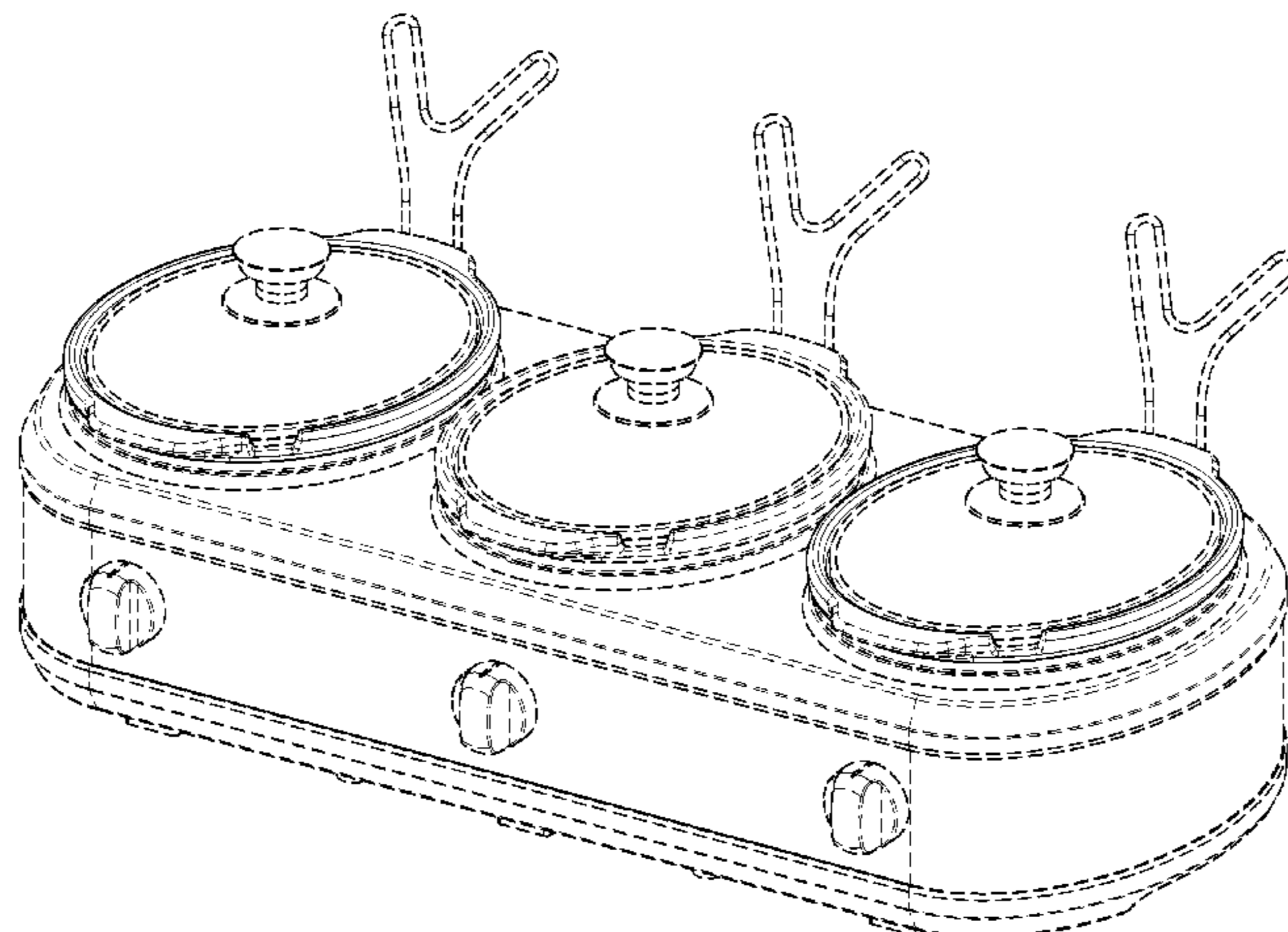
(57) **CLAIM**

The ornamental design for a multiple crock buffet server, as shown and described.

DESCRIPTION

FIG. 1 is a front perspective of a multiple crock buffet server embodying my design, with an intermediate oval server bowl insert being shown in broken lines so that the claimed design covers a buffet server with two or more oval server bowl inserts situated adjacent opposite ends of the heated server base unit housing, with top and bottom housing sections of the heated server base unit housing, server control knobs, server lid holders, oval insert lids received by the bowl inserts, oval liners that receive the bowl inserts, and outer handle surfaces and a radial groove of each bowl insert being shown in broken lines for illustrative purposes only and forming no part of the claimed design;

FIG. 2 is a rear perspective of the multiple crock buffet server shown in FIG. 1, with the top housing section, including bosses that receive the lid holders, and the bottom housing



section, including an intermediate rear-facing opening, being shown in broken lines for illustrative purposes only and forming no part of the claimed design;

FIG. 3 is a top view of the multiple crock buffet server shown in FIGS. 1 and 2, with the lid holders being removed;

FIG. 4 is a front elevation of the multiple crock buffet server shown in FIGS. 1-3, with multiple housing feet of the bottom housing section that project downwardly from the body of the bottom housing section being shown in broken lines for illustrative purposes only and forming no part of the claimed design, and with the lid holders being removed;

FIG. 5 is a right side elevation of the multiple crock buffet server shown in FIGS. 1-4, with the lid holders being removed;

FIG. 6 is a rear elevation of the multiple crock buffet server shown in FIGS. 1-5, with the lid holders being removed;

FIG. 7 is a left side elevation of the multiple crock buffet server shown in FIGS. 1-6, with the lid holders being removed;

FIG. 8 is a front perspective of a multiple crock buffet server embodying my design, with the buffet server being depicted as intermediately fragmented along its length so that the claimed design covers various buffet server housing lengths and covers a buffet server with two or more oval server bowl inserts, with top and bottom housing sections of the heated server base unit housing, server control knobs, server lid holders, oval liners that receive the bowl inserts, and outer handle surfaces and a radial groove of each bowl insert being shown in broken lines for illustrative purposes only and forming no part of the claimed design;

FIG. 9 is a rear perspective of the multiple crock buffet server shown in FIG. 8, with the top housing section, including bosses that receive the lid holders, being shown in broken lines for illustrative purposes only and forming no part of the claimed design;

FIG. 10 is a top view of the multiple crock buffet server shown in FIGS. 8 and 9, with the lid holders being removed;

FIG. 11 is a front elevation of the multiple crock buffet server shown in FIGS. 8-10, with the lid holders being removed, and with multiple housing feet of the bottom housing section that project downwardly from the body of the bottom housing section being shown in broken lines for illustrative purposes only and forming no part of the claimed design;

FIG. 12 is a right side elevation of the multiple crock buffet server shown in FIGS. 8-11, with the lid holders being removed;

FIG. 13 is a rear elevation of the multiple crock buffet server shown in FIGS. 8-12, with the lid holders being removed;

FIG. 14 is a left side elevation of the multiple crock buffet server shown in FIGS. 8-13, with the lid holders being removed;

FIG. 15 is a front perspective of a multiple crock buffet server embodying my design, with an intermediate oval bowl insert being shown in broken lines so that the claimed design covers a buffet server with two or more oval server bowl inserts, with one of multiple identical oval insert lids for corresponding

bowl inserts being shown in broken lines for illustrative purposes and forming no part of the claimed design, and with two oval inserts situated adjacent opposite ends of the heated server base unit housing, with top and bottom housing sections of the heated server base unit housing, server control knobs, server lid holders, oval liners that receive the bowl inserts, and outer handle surfaces and a radial groove of each bowl insert being shown in broken lines for illustrative purposes only and forming no part of the claimed design;

FIG. 16 is a rear perspective of the multiple crock buffet server shown in FIG. 15, with the top housing section, including bosses that receive the lid holders, and the bottom housing section, including an intermediate rear-facing opening, being shown in broken lines for illustrative purposes only and forming no part of the claimed design;

FIG. 17 is a top view of the multiple crock buffet server shown in FIGS. 15 and 16, with the lid holders being removed;

FIG. 18 is a front elevation of the multiple crock buffet server shown in FIGS. 15-17, with the lid holders being removed, and with multiple housing feet of the bottom housing section that project downwardly from the body of the bottom housing section being shown in broken lines for illustrative purposes only and forming no part of the claimed design;

FIG. 19 is a right side elevation of the multiple crock buffet server shown in FIGS. 15-18, with the lid holders being removed;

FIG. 20 is a rear elevation of the multiple crock buffet server shown in FIGS. 15-19, with the lid holders being removed;

FIG. 21 is a left side elevation of the multiple crock buffet server shown in FIGS. 15-20, with the lid holders being removed;

FIG. 22 is a front perspective of a multiple crock buffet server embodying my design, with top and bottom housing sections of the heated server base unit housing, including bosses that receive lid holders, server control knobs, oval liners that receive the bowl inserts, and outer handle surfaces and a radial groove of each bowl insert being shown in broken lines for illustrative purposes only and forming no part of the claimed design;

FIG. 23 is a rear perspective of the multiple crock buffet server shown in FIG. 22;

FIG. 24 is a top view of the multiple crock buffet server shown in FIGS. 22 and 23;

FIG. 25 is a front elevation of the multiple crock buffet server shown in FIGS. 22-24, with multiple housing feet of the bottom housing section that project downwardly from the body of the bottom housing section, being shown in broken lines for illustrative purposes only and forming no part of the claimed design;

FIG. 26 is a right side elevation of the multiple crock buffet server shown in FIGS. 22-25;

FIG. 27 is a rear elevation of the multiple crock buffet server shown in FIGS. 22-26; and,

FIG. 28 is a left side elevation of the multiple crock buffet server shown in FIGS. 22-27.

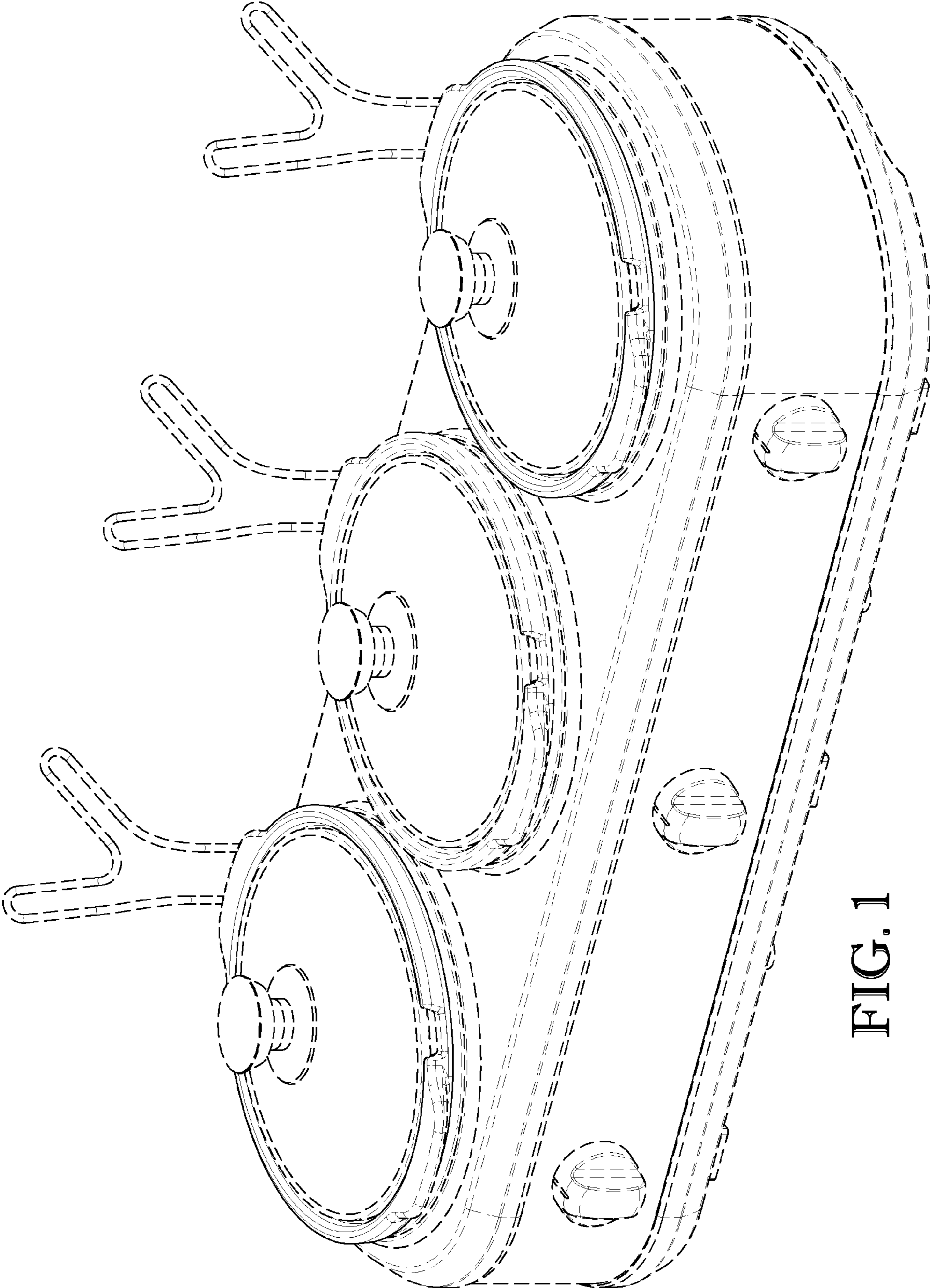


FIG. 1

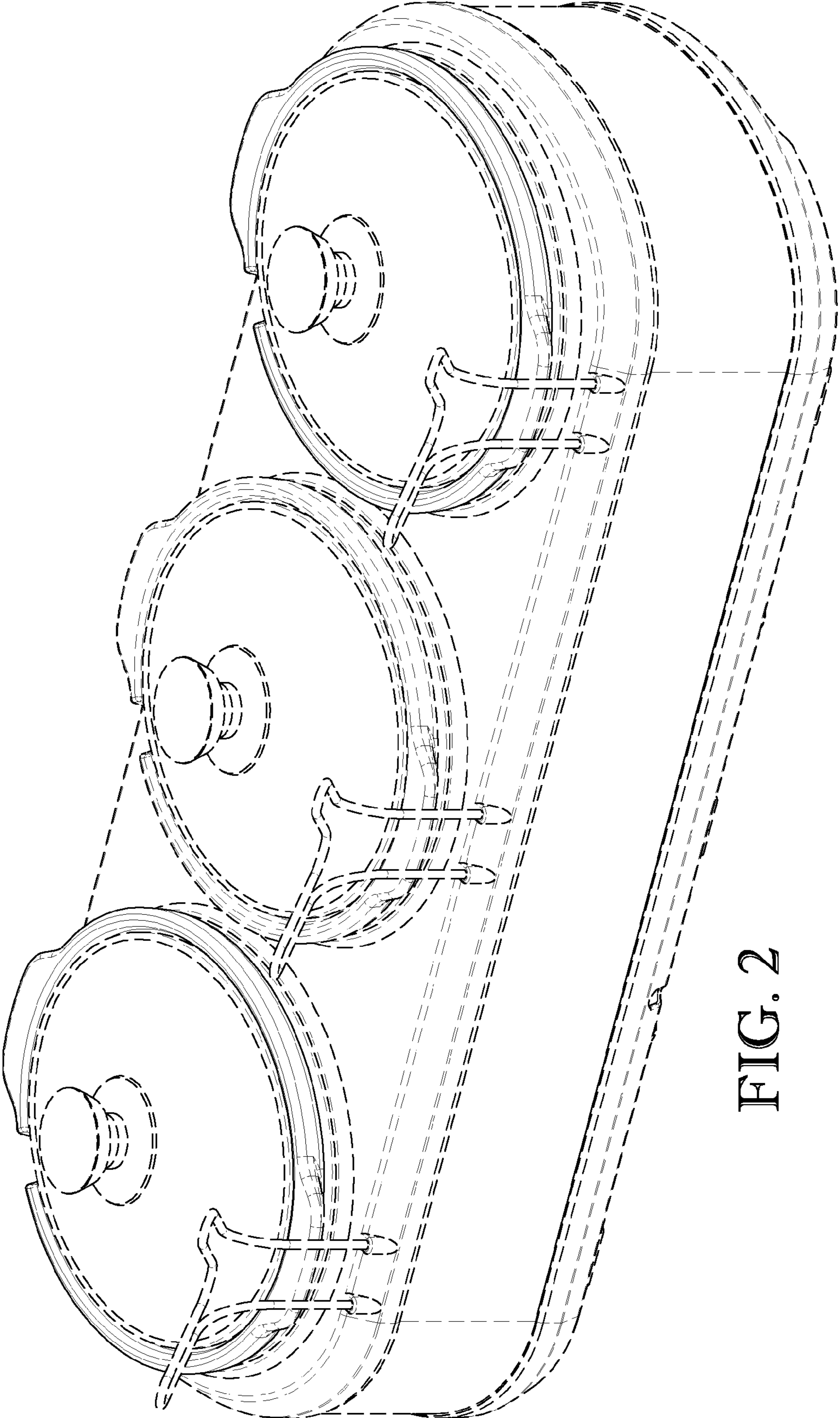


FIG. 2

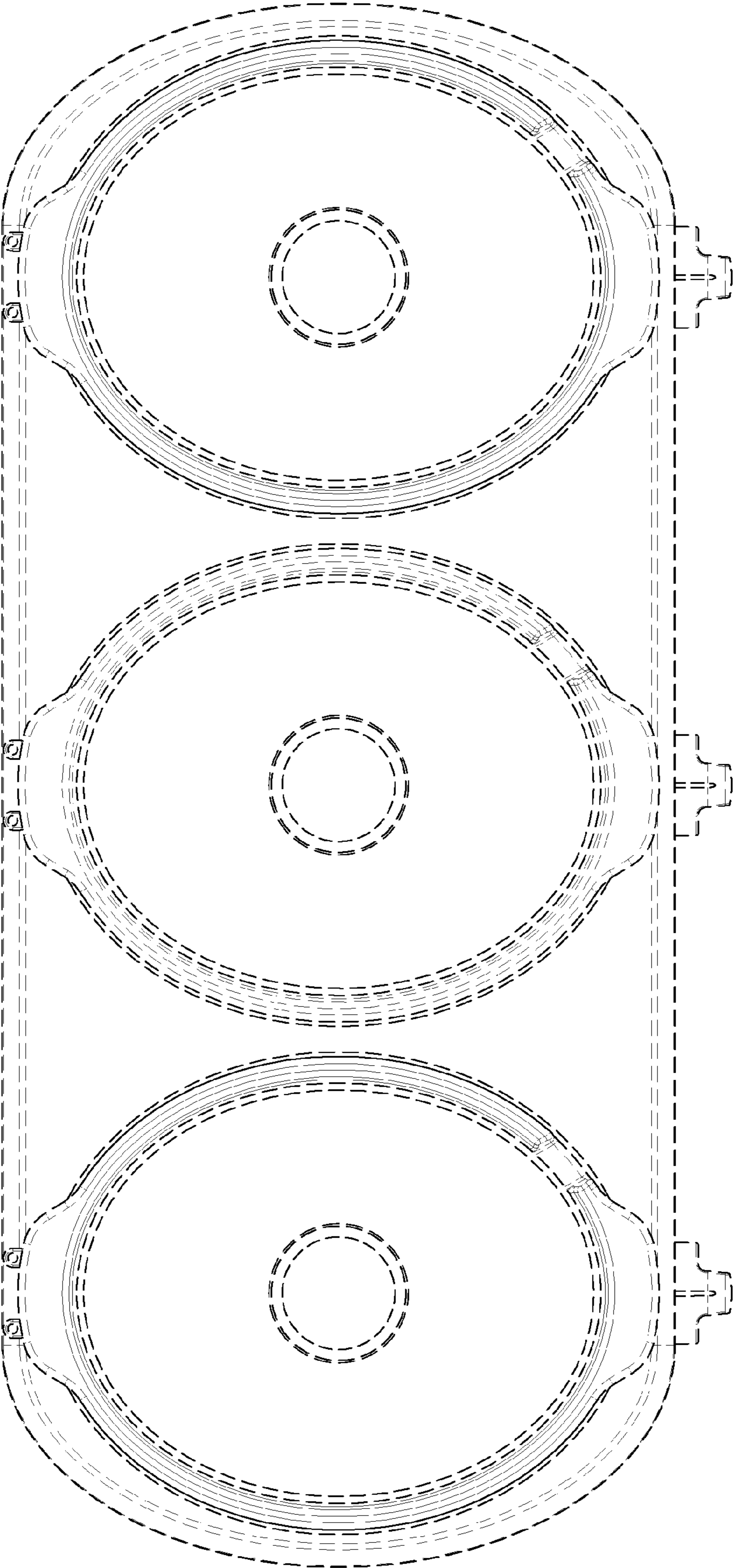


FIG. 3

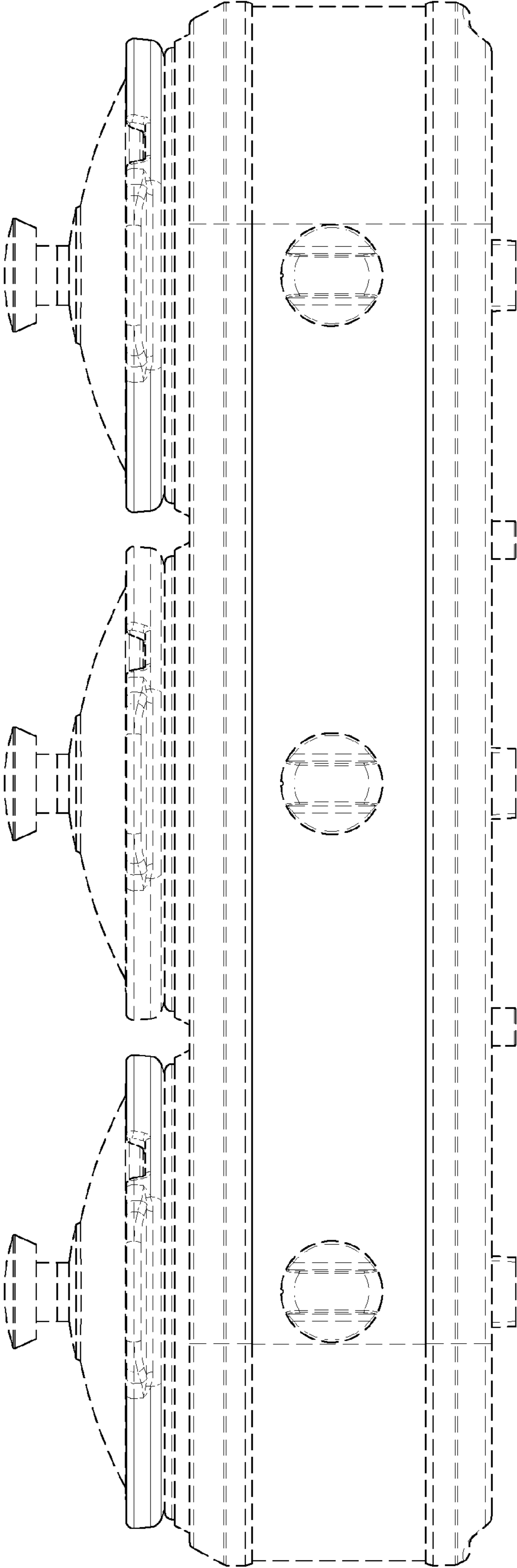


FIG. 4

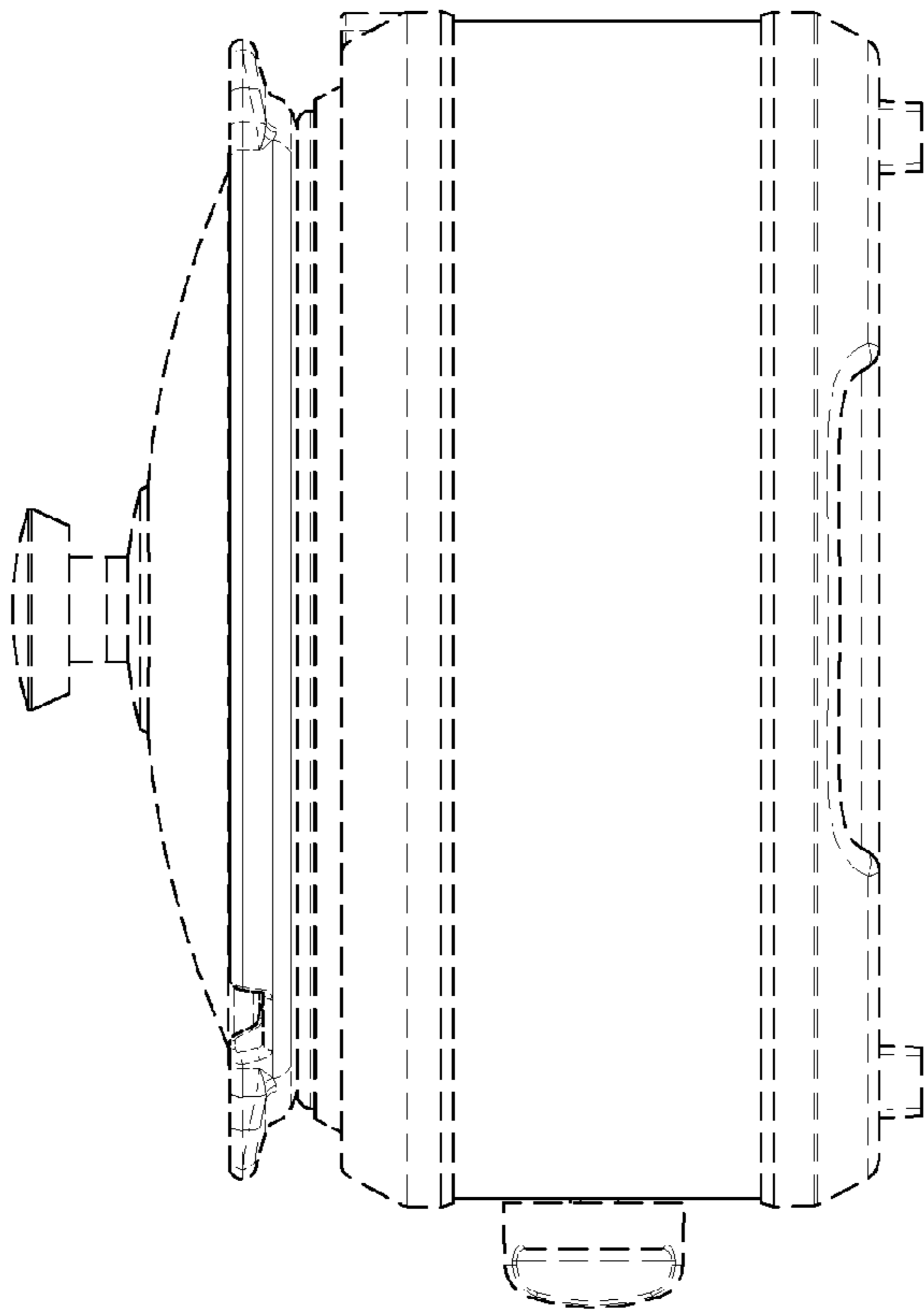


FIG. 5

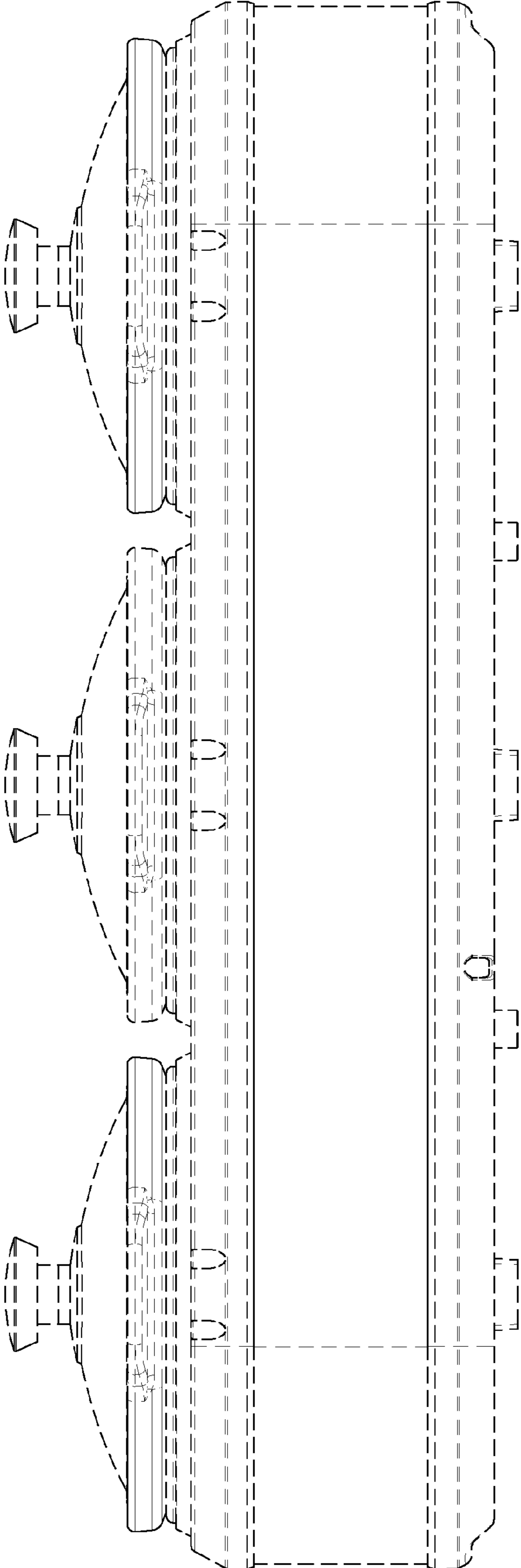


FIG. 6



FIG. 7

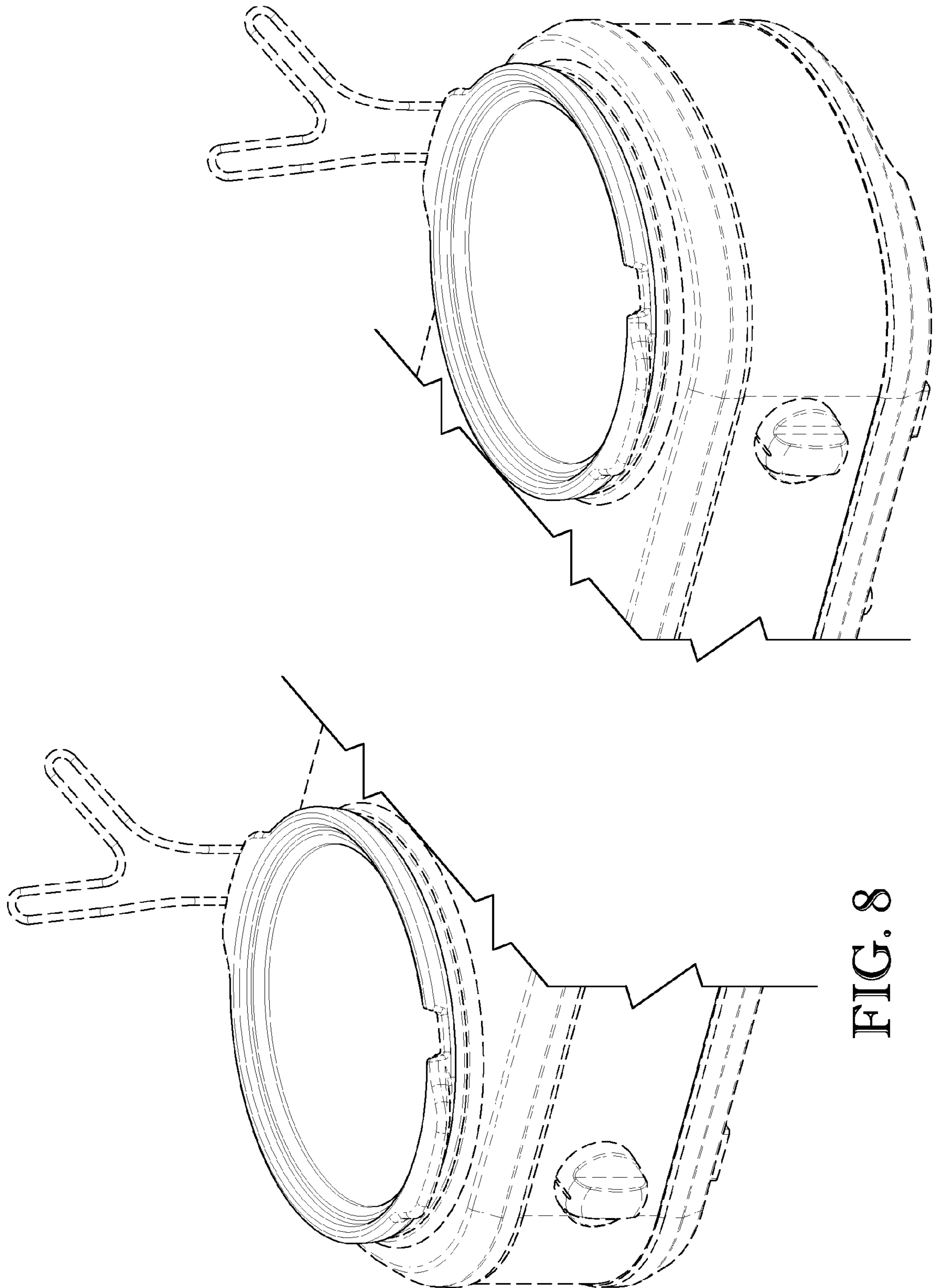


FIG. 8

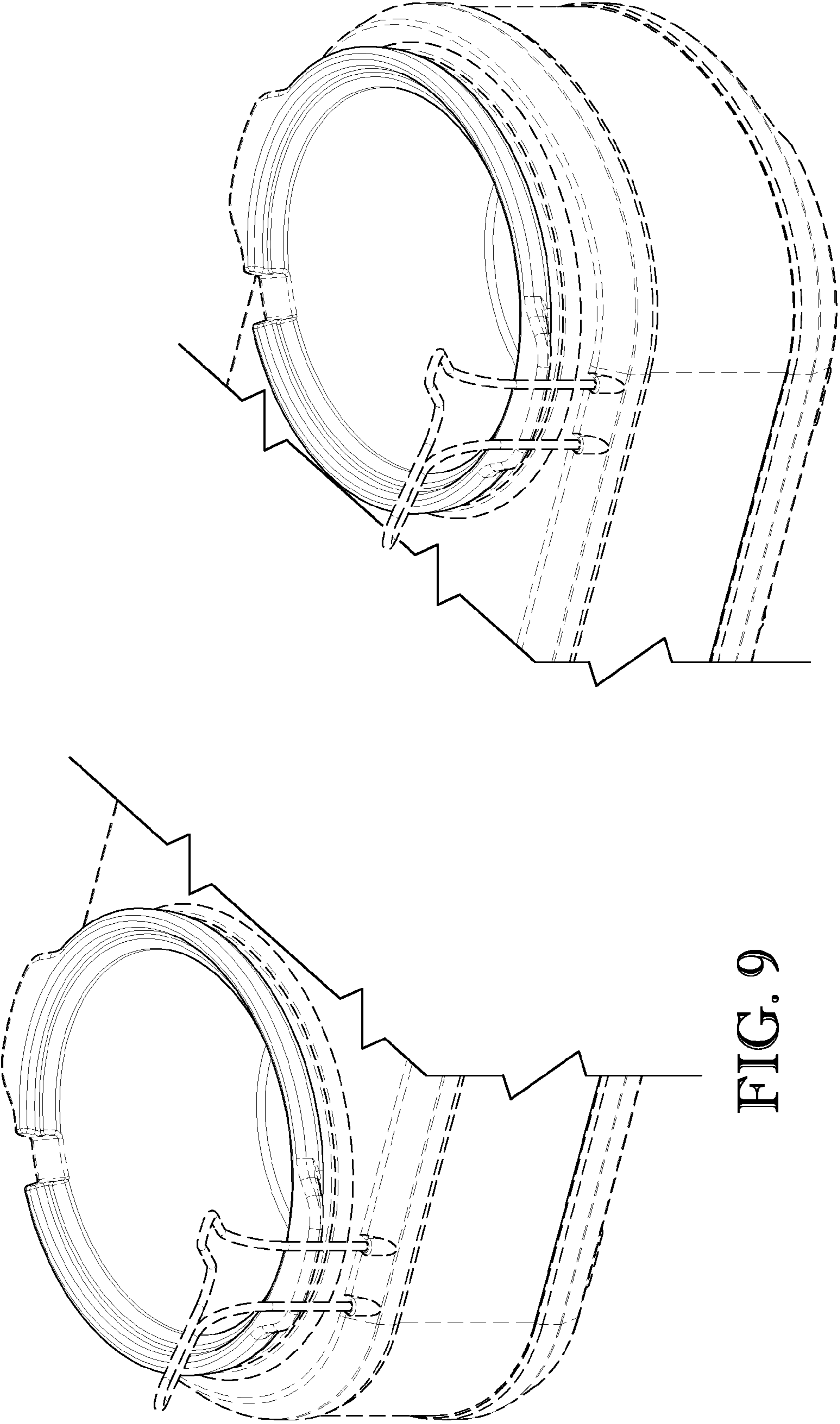


FIG. 9

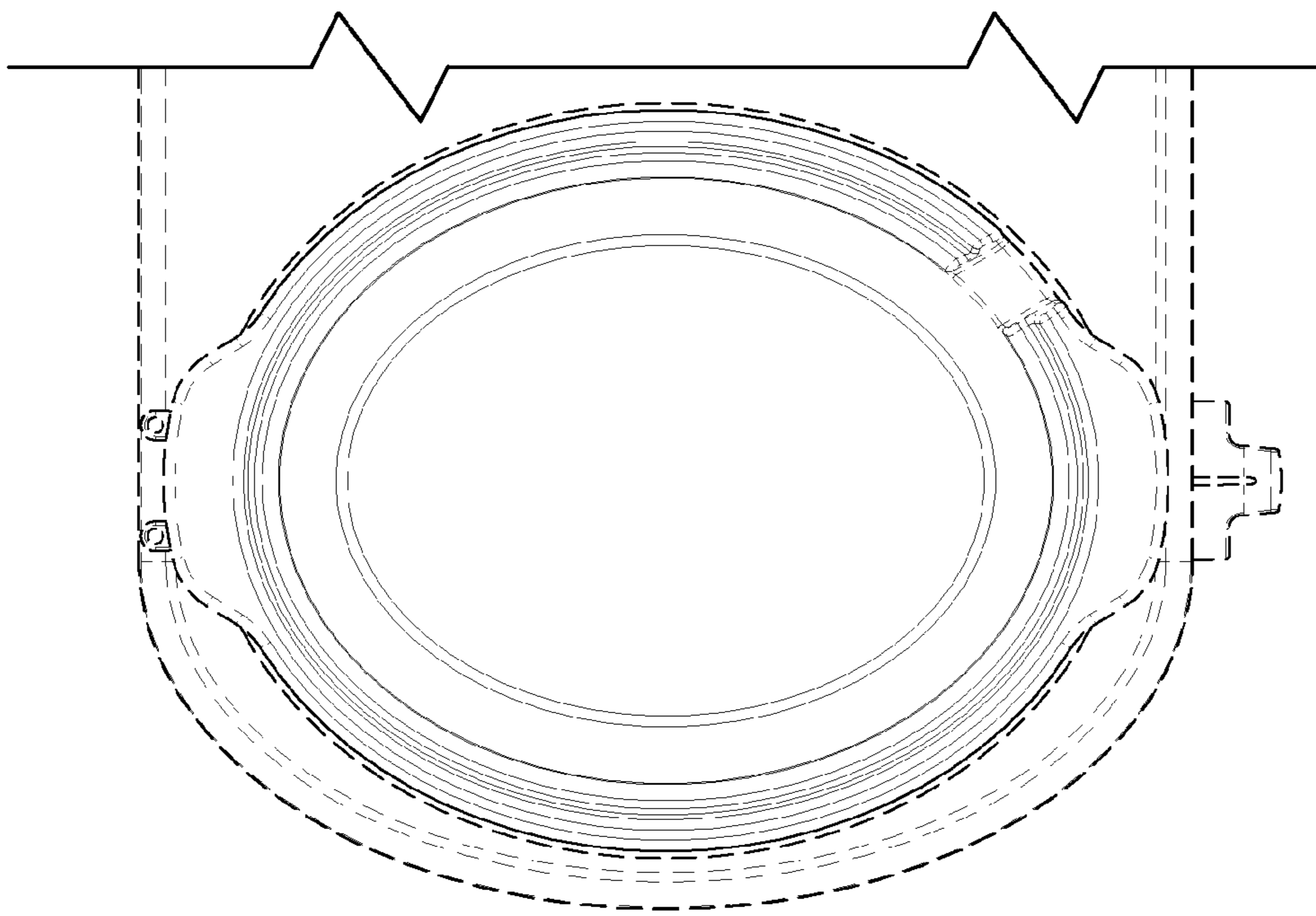
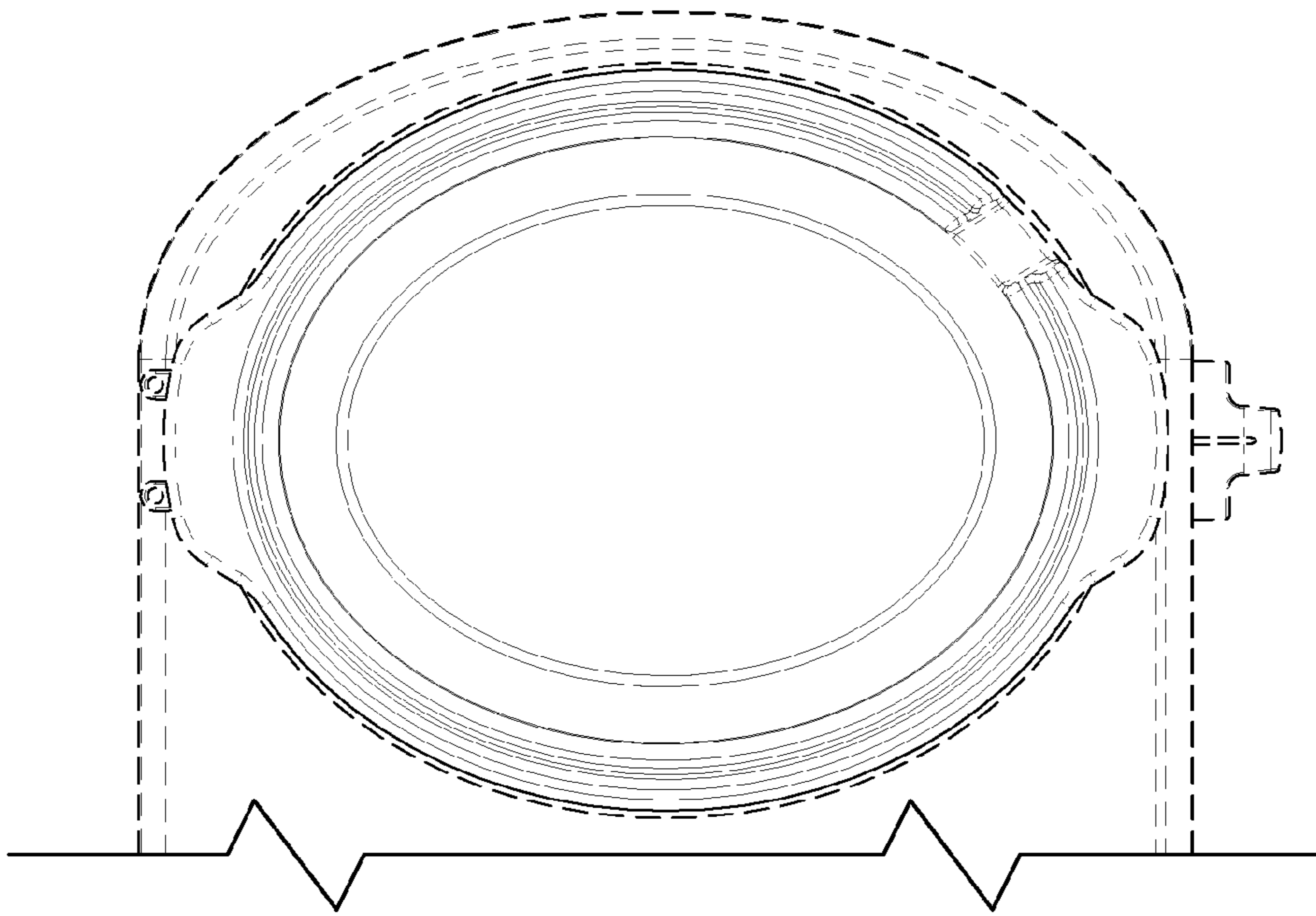


FIG. 10

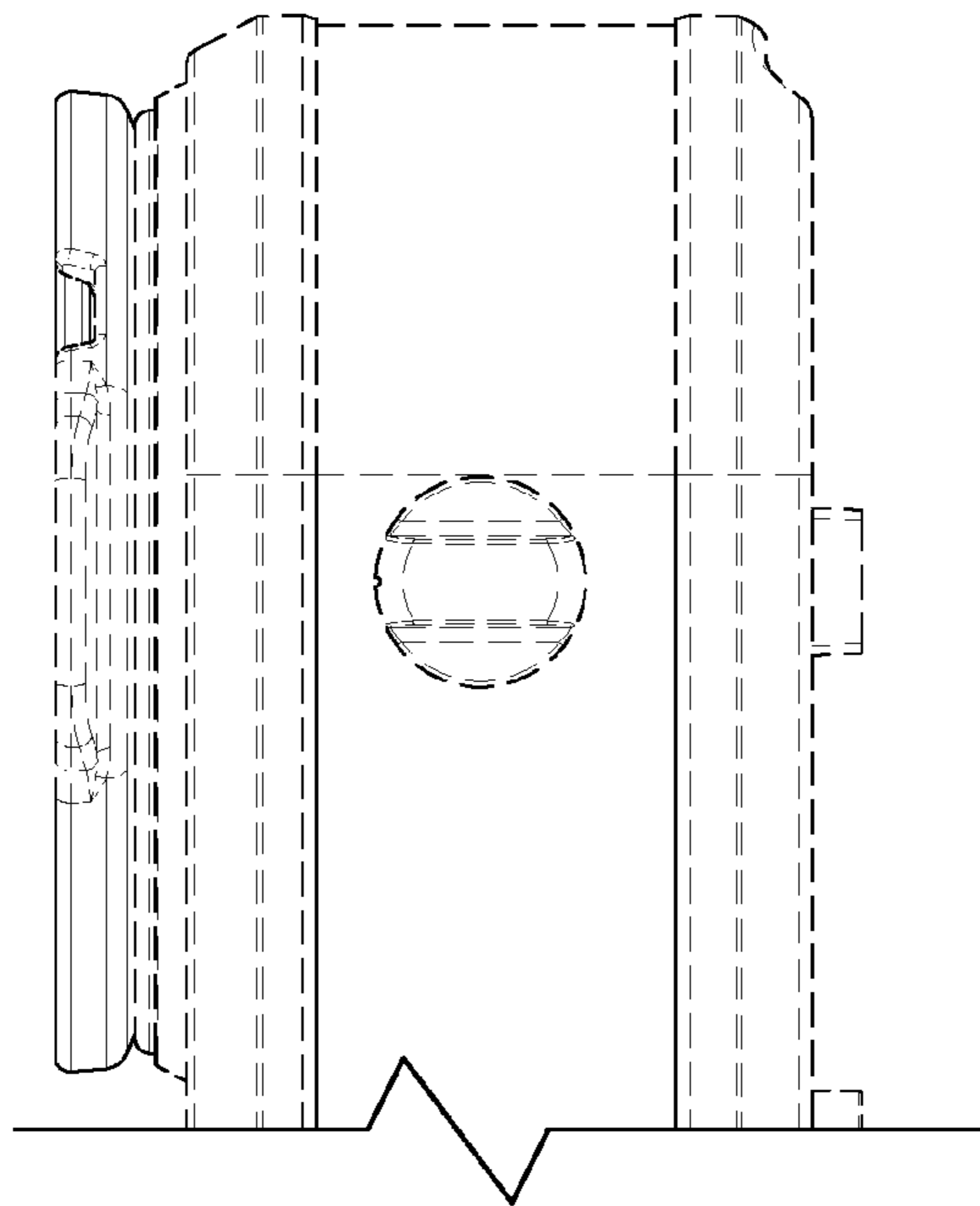
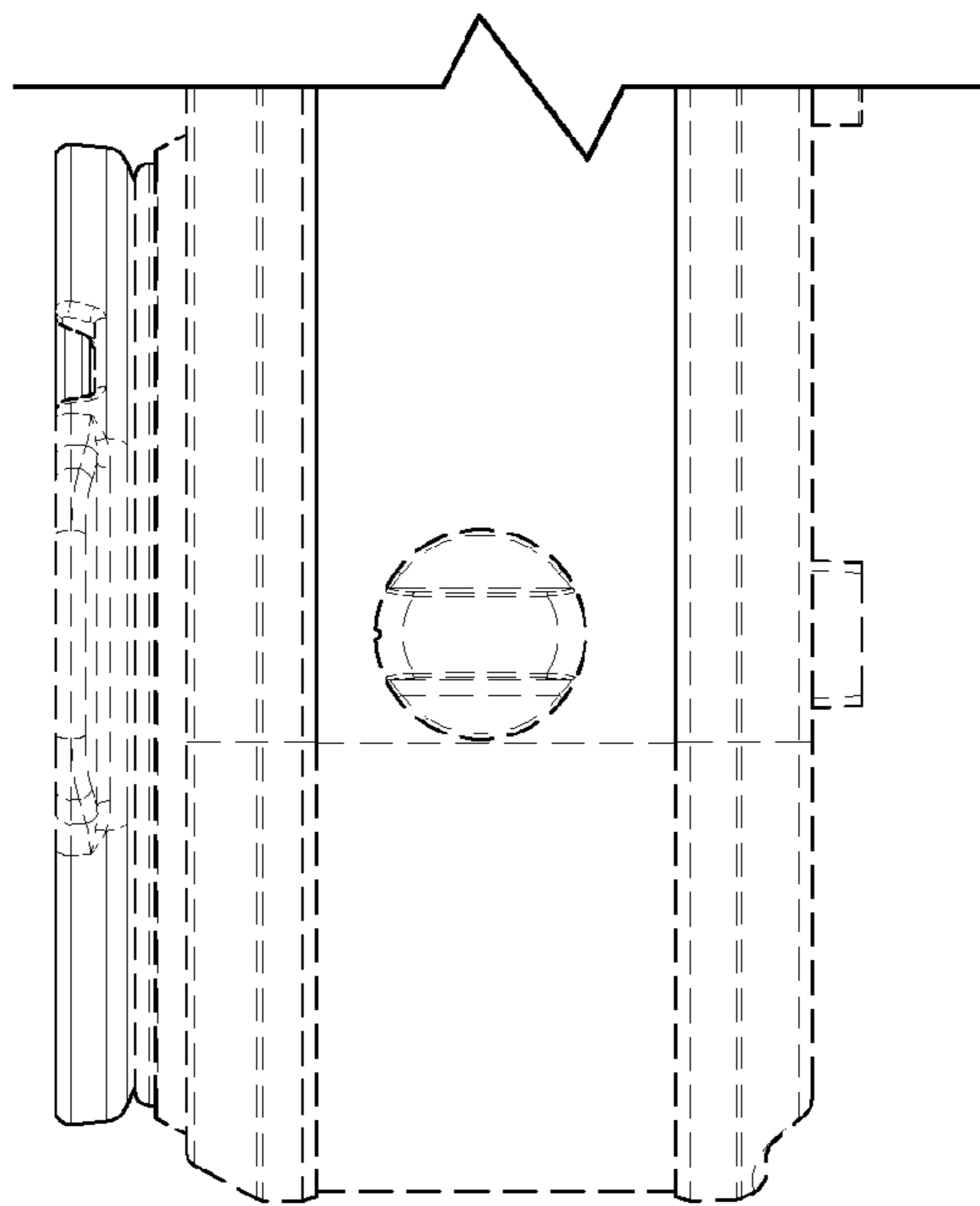


FIG. 11



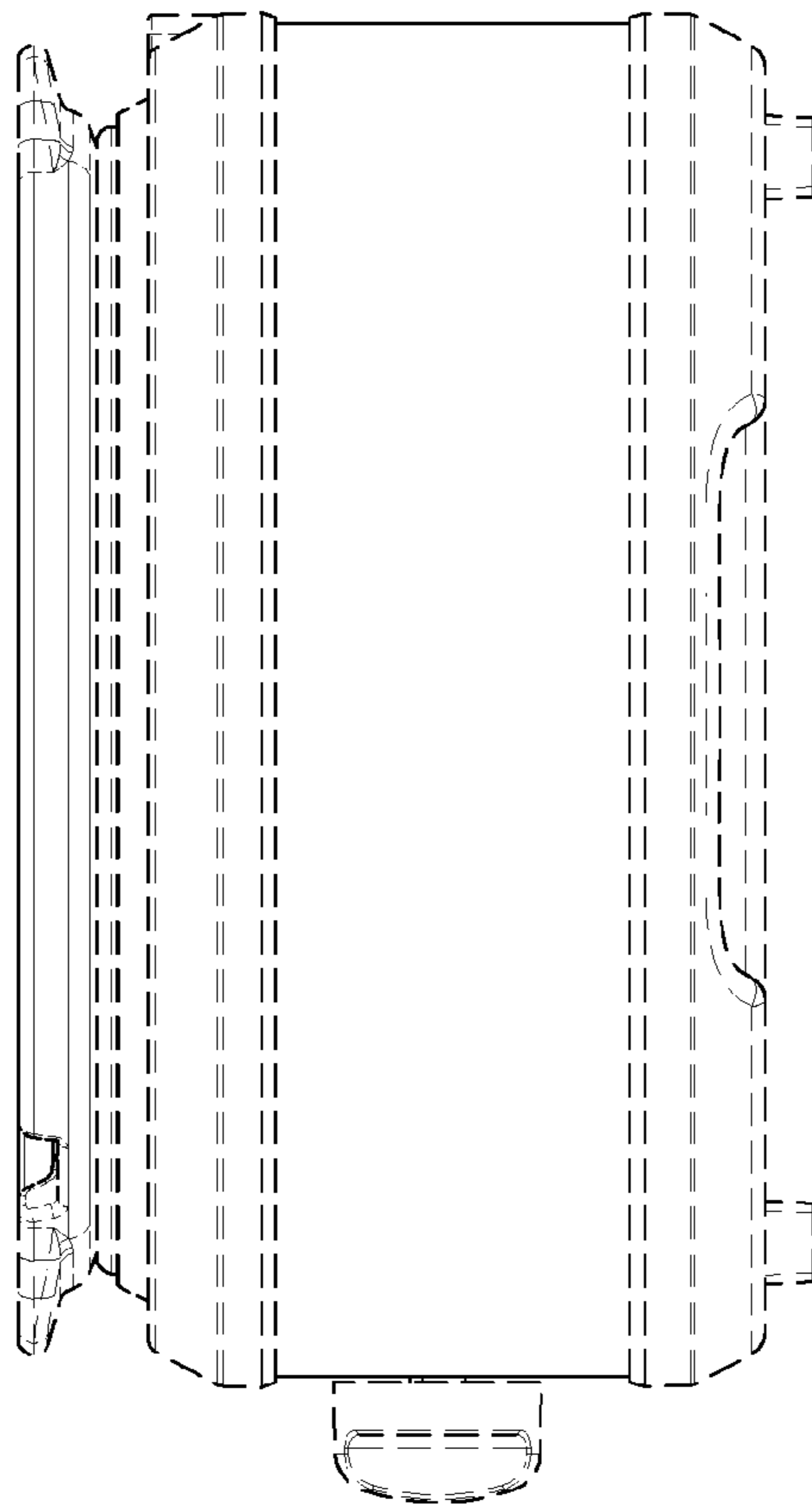


FIG. 12

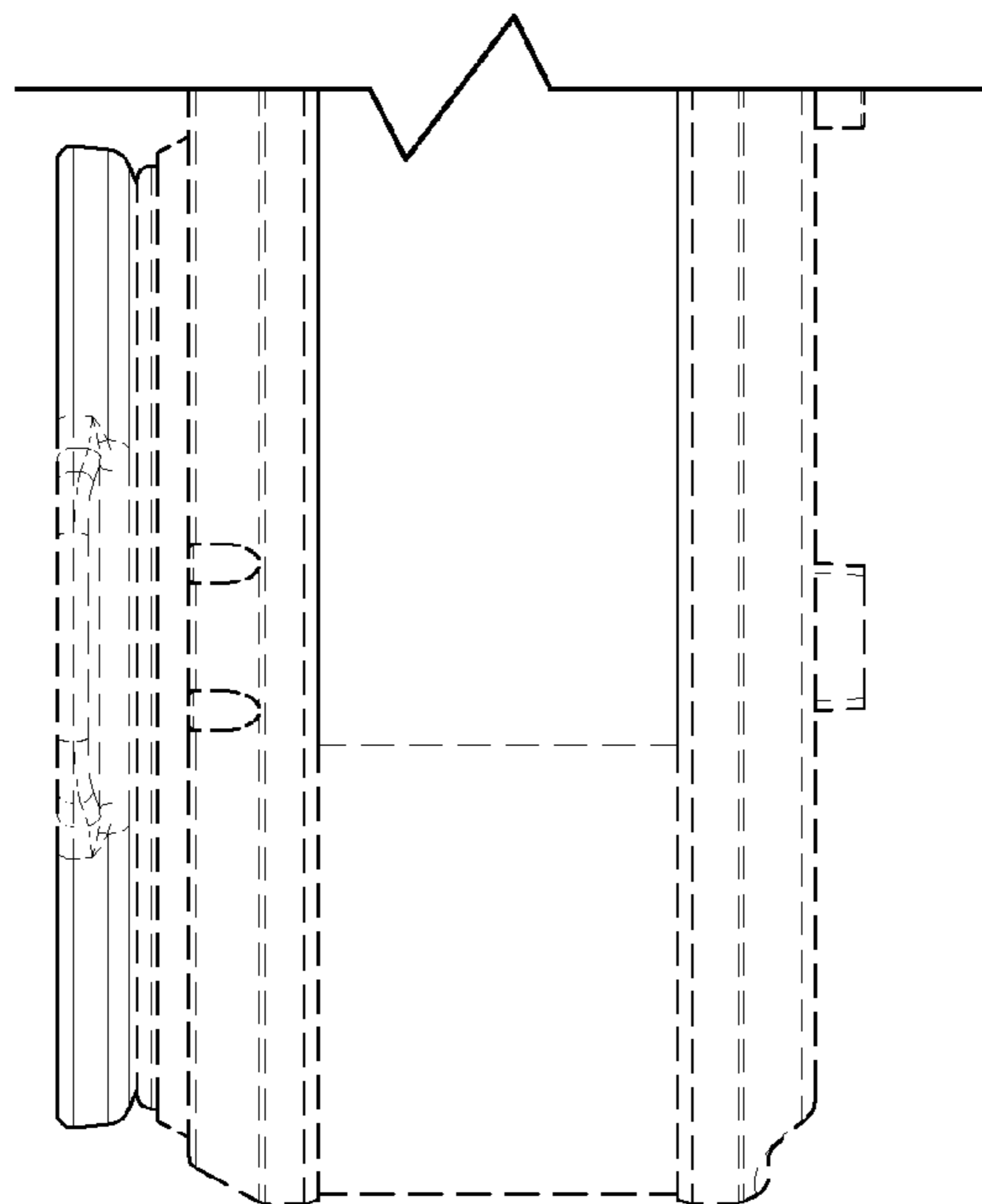
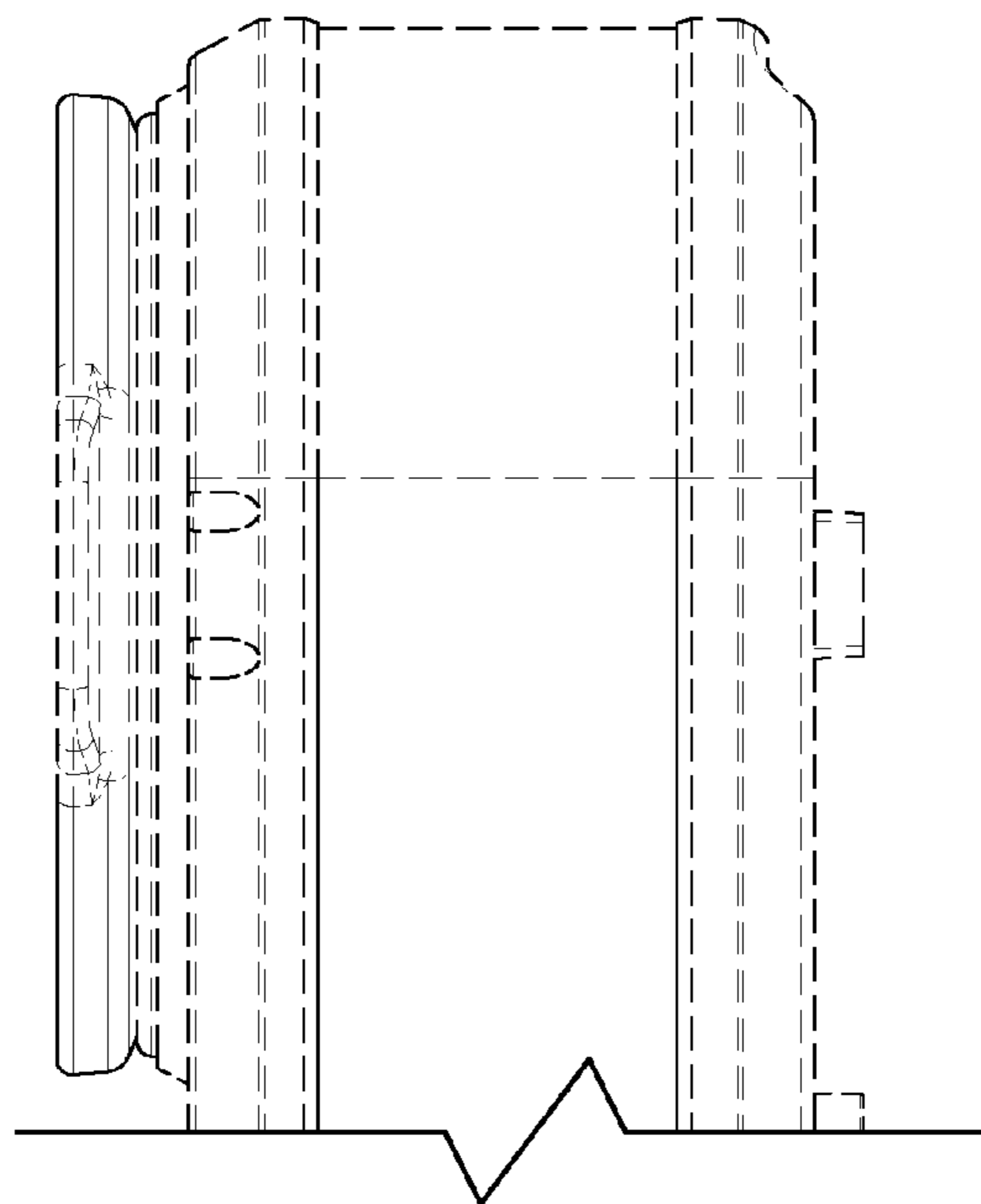


FIG. 13

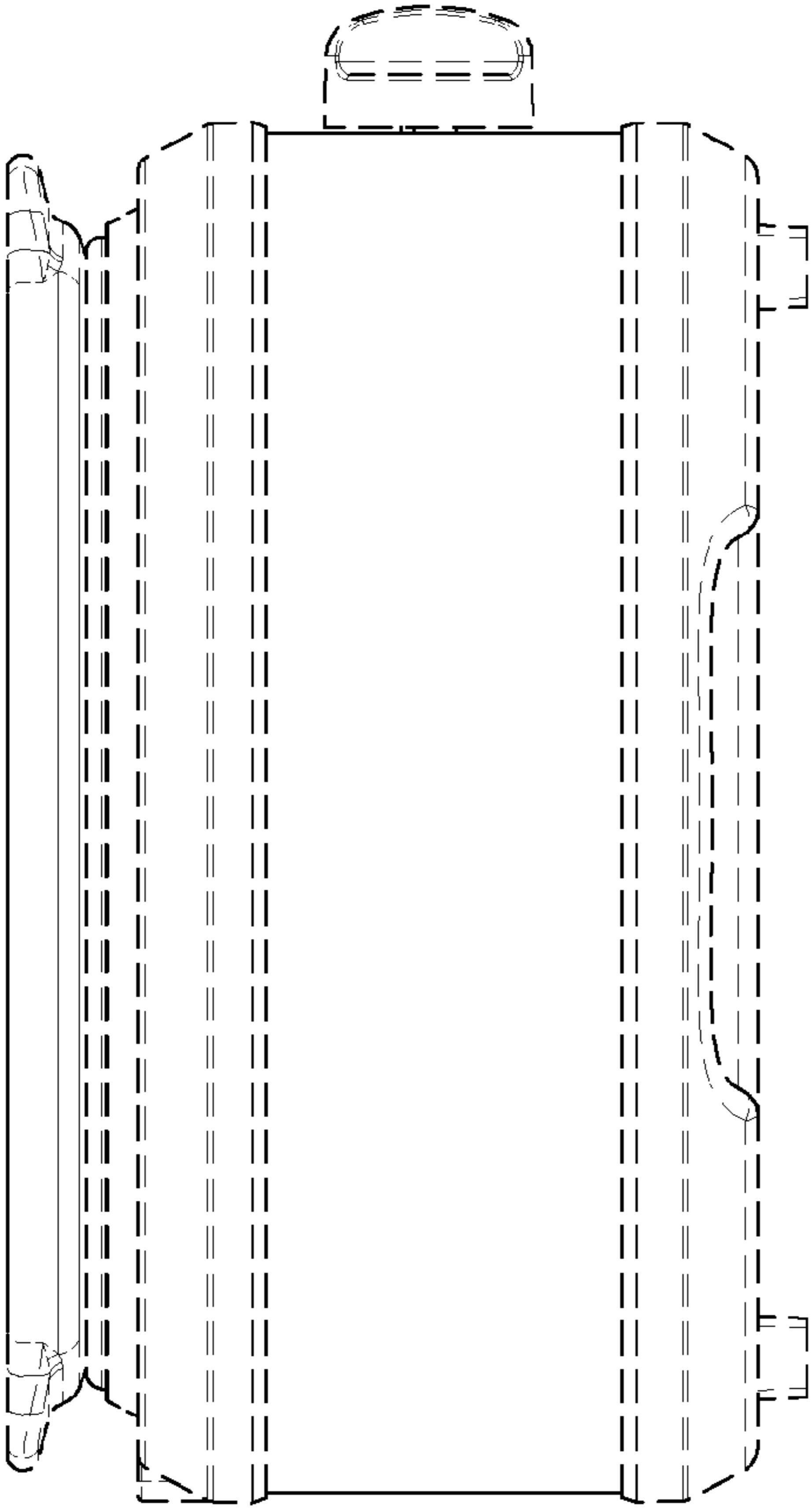


FIG. 14

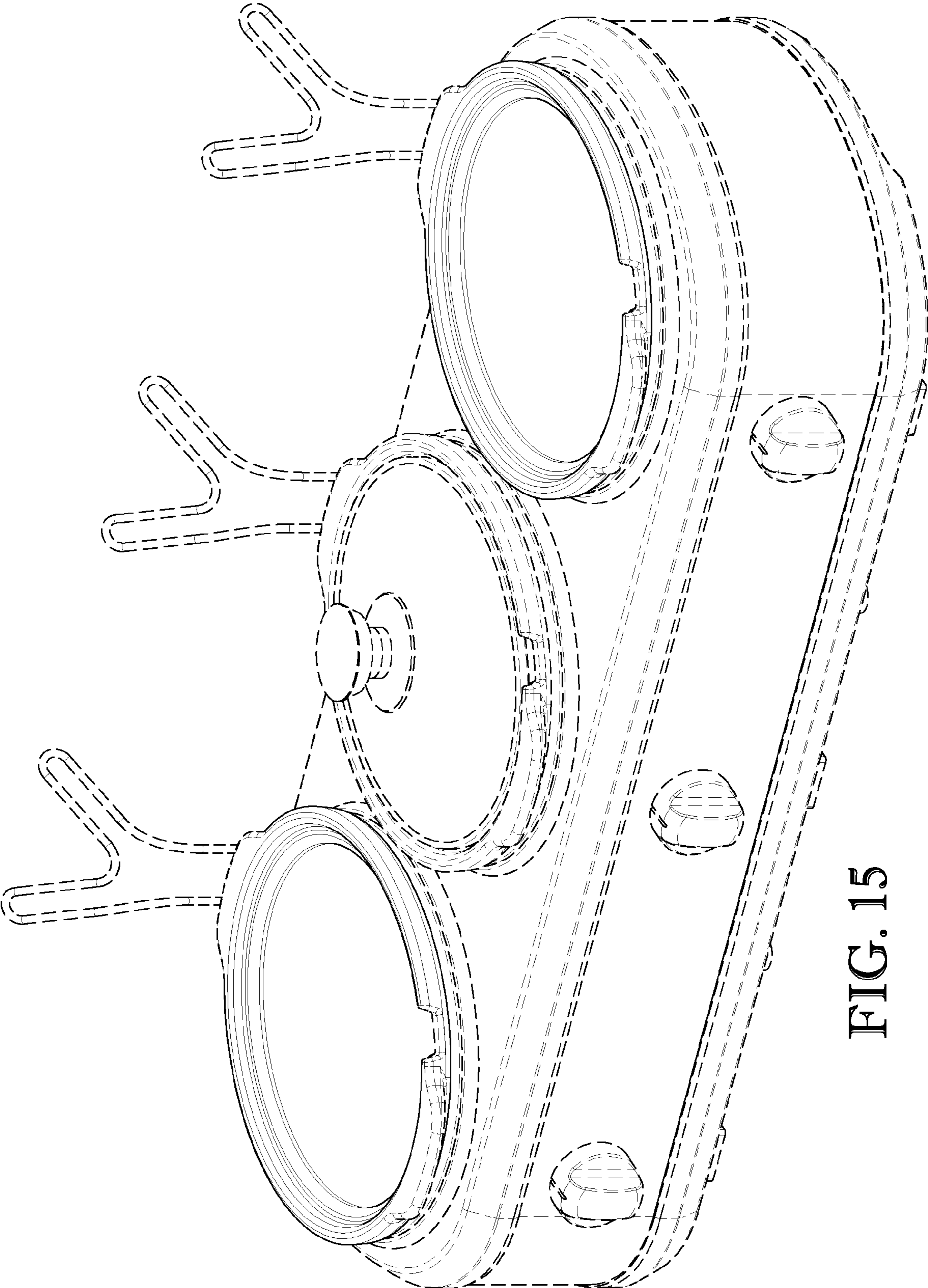


FIG. 15

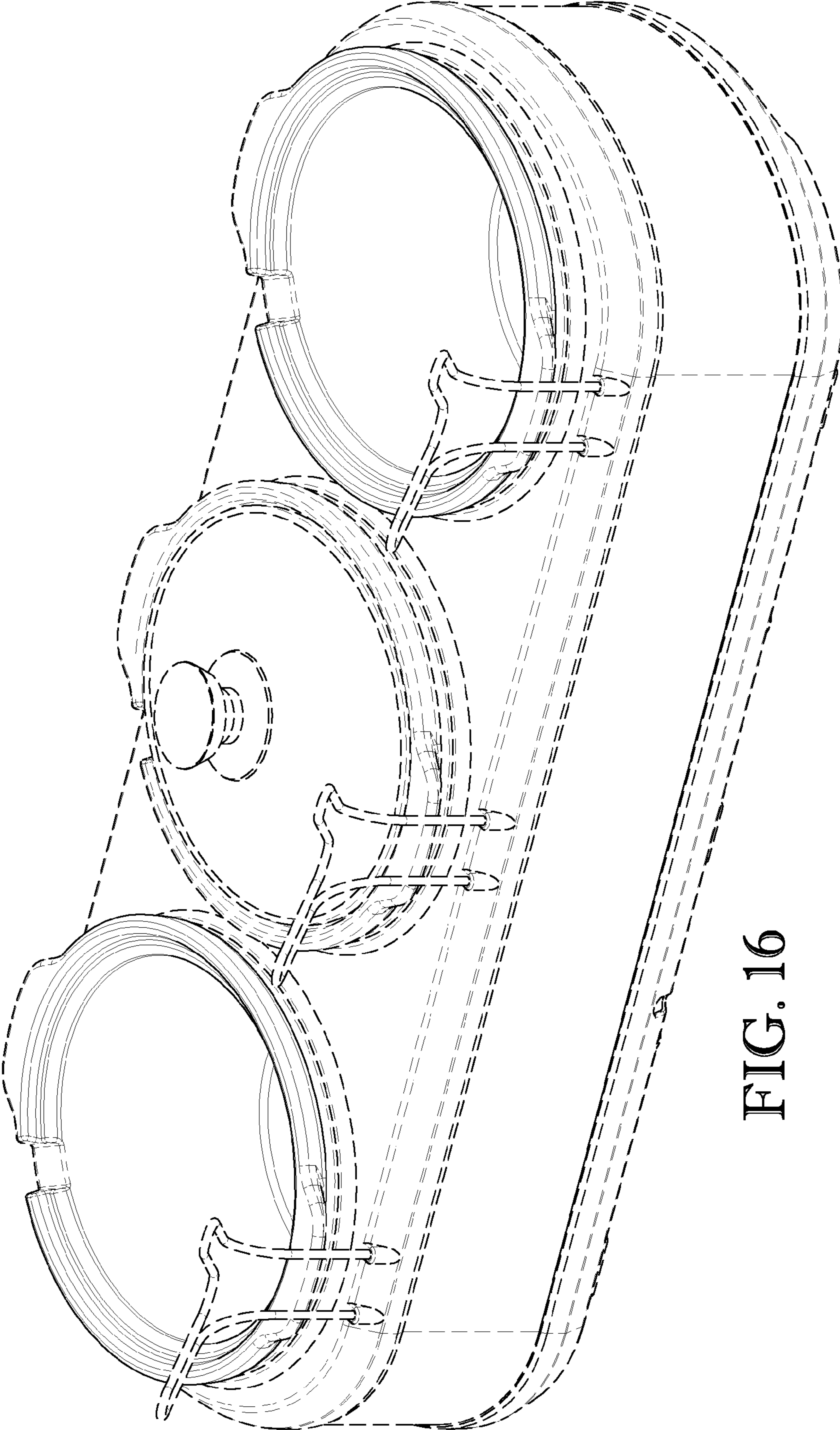


FIG. 16

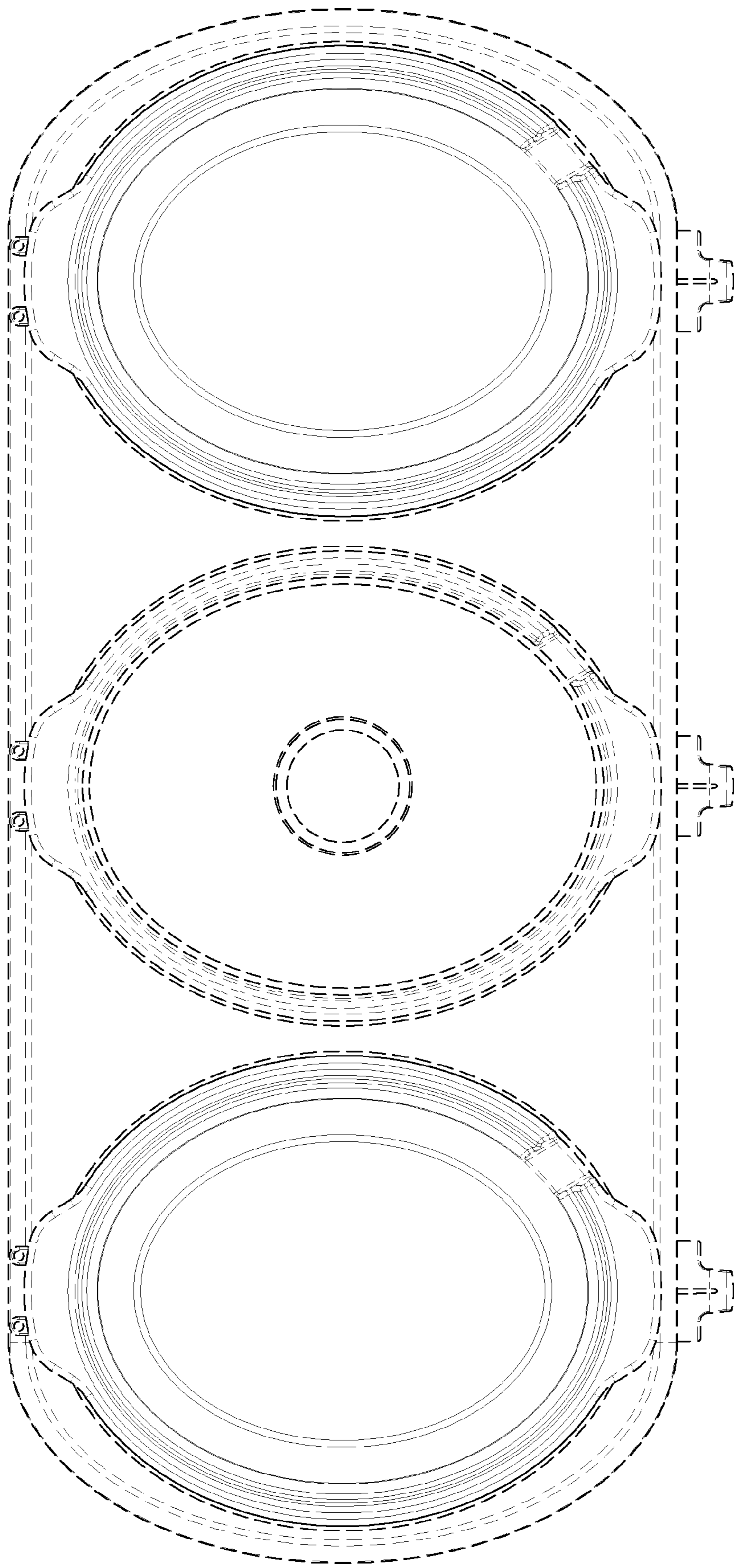


FIG. 17

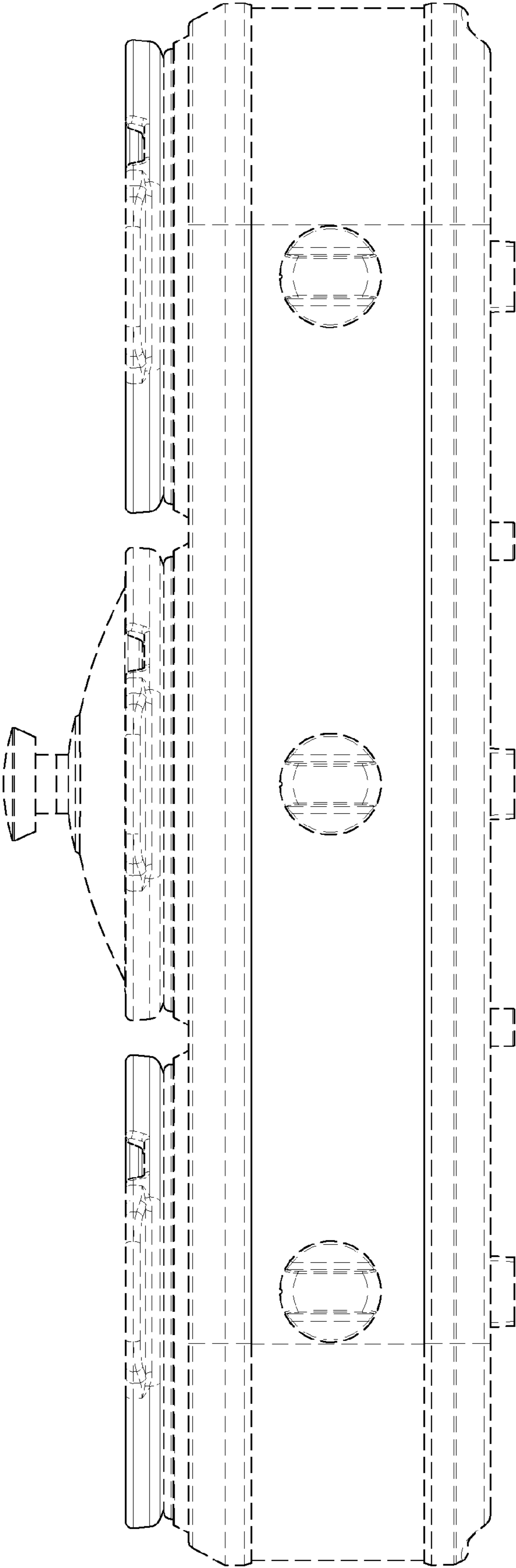


FIG. 18



FIG. 19

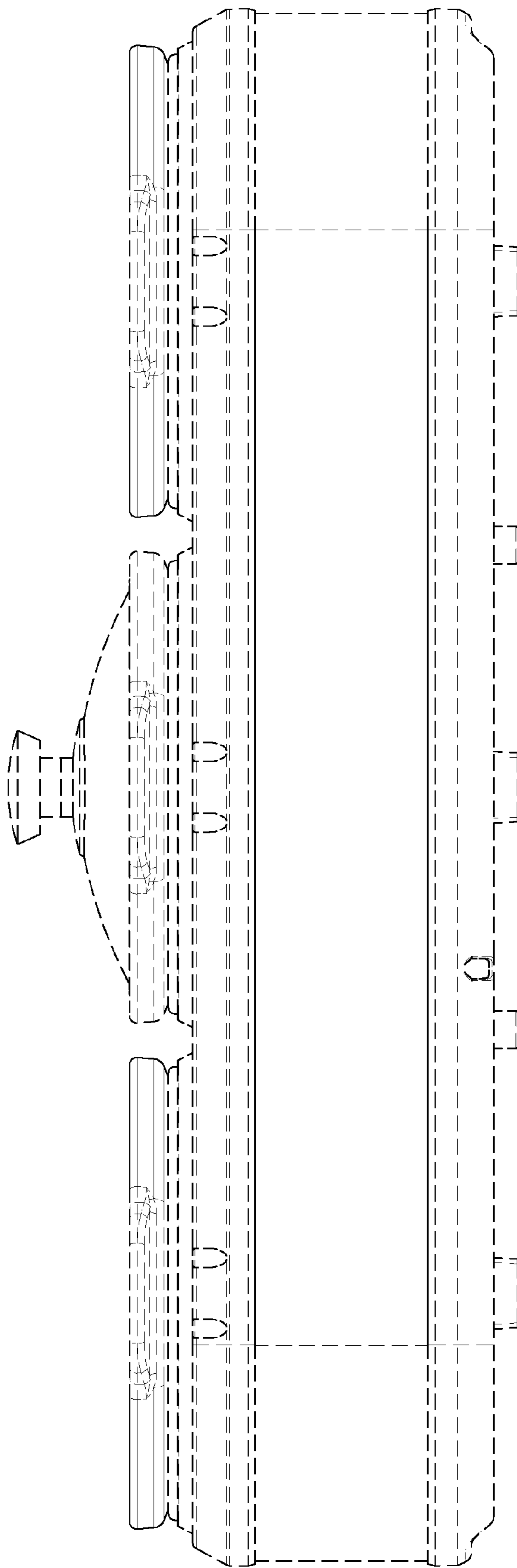


FIG. 20

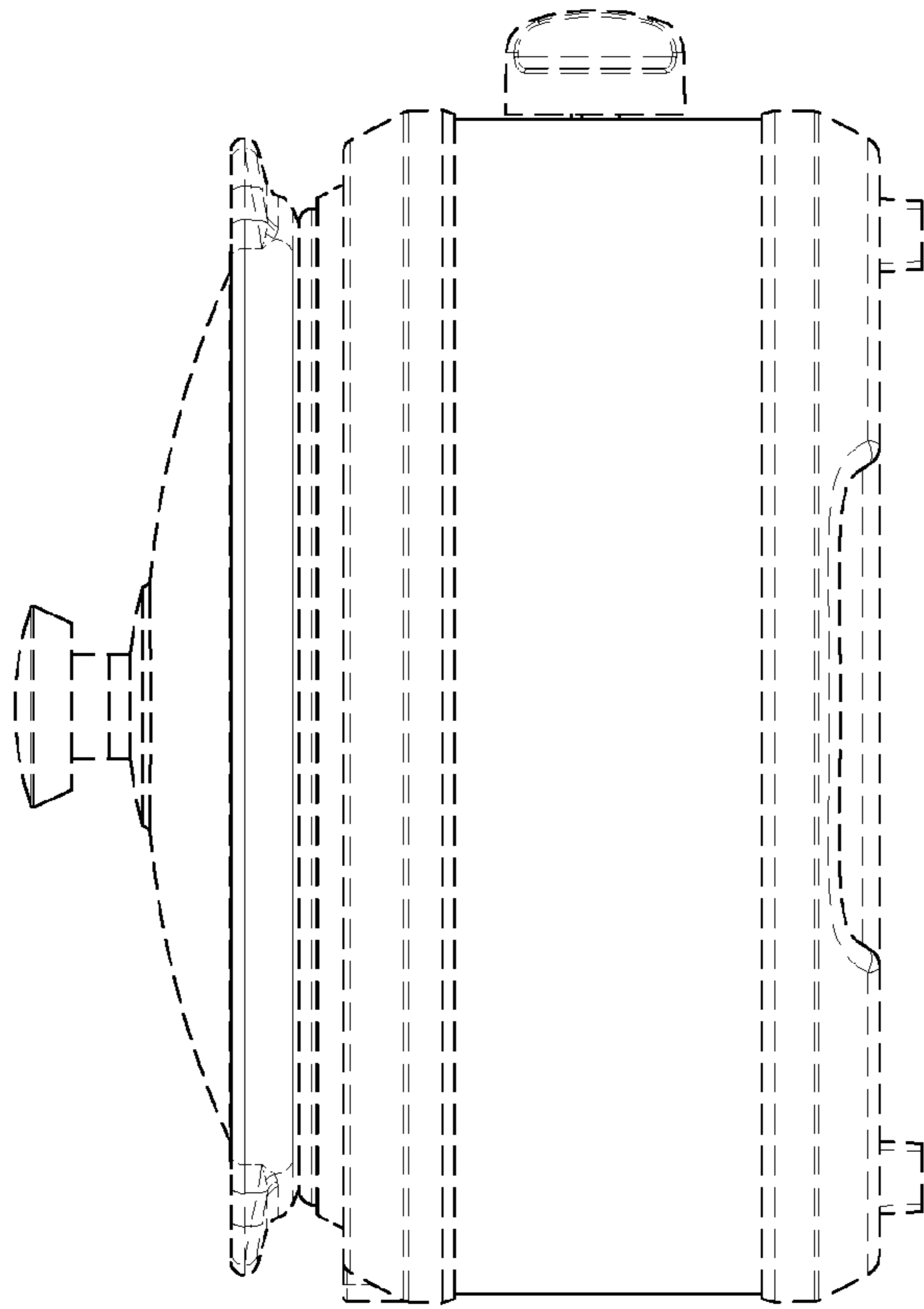


FIG. 21

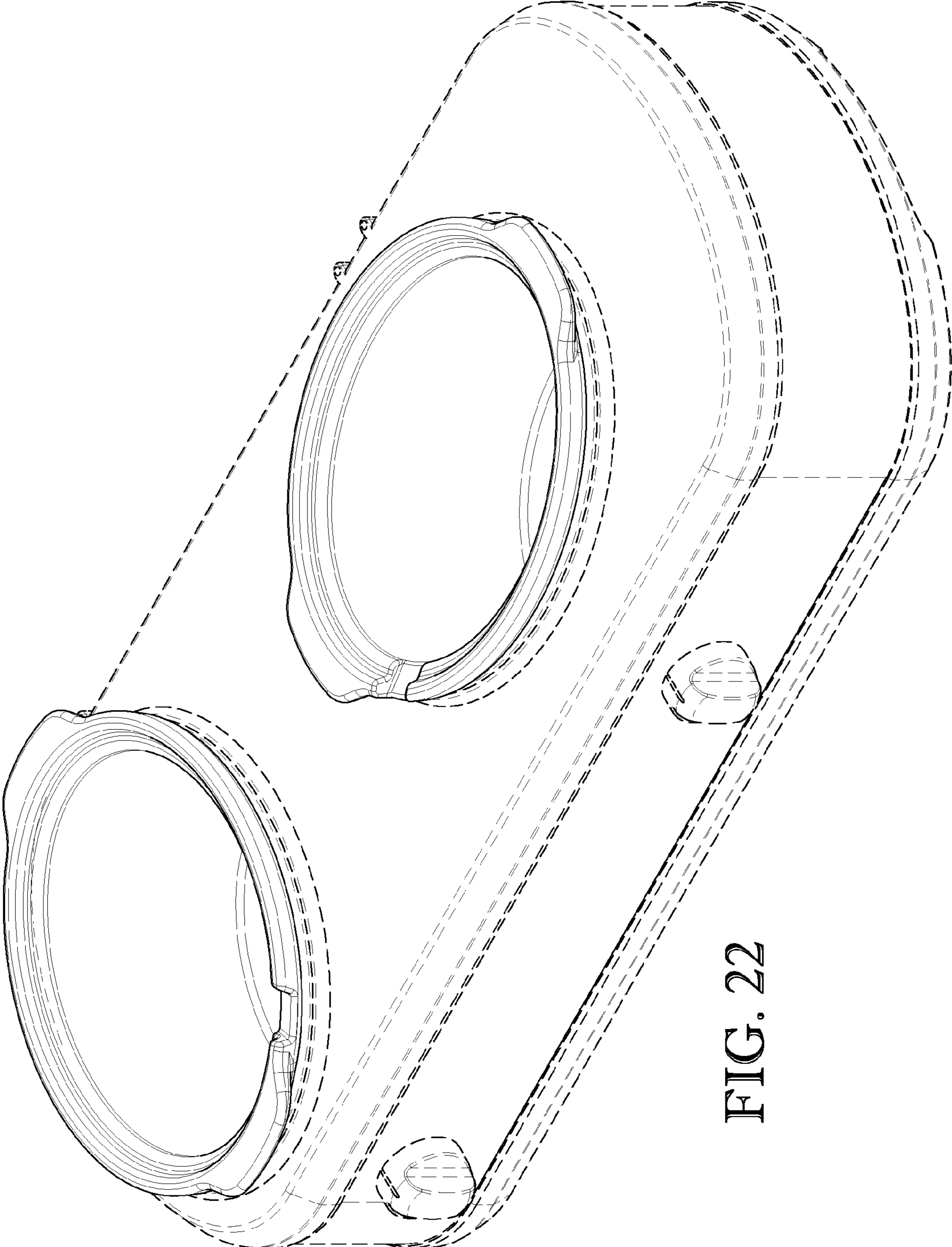


FIG. 22

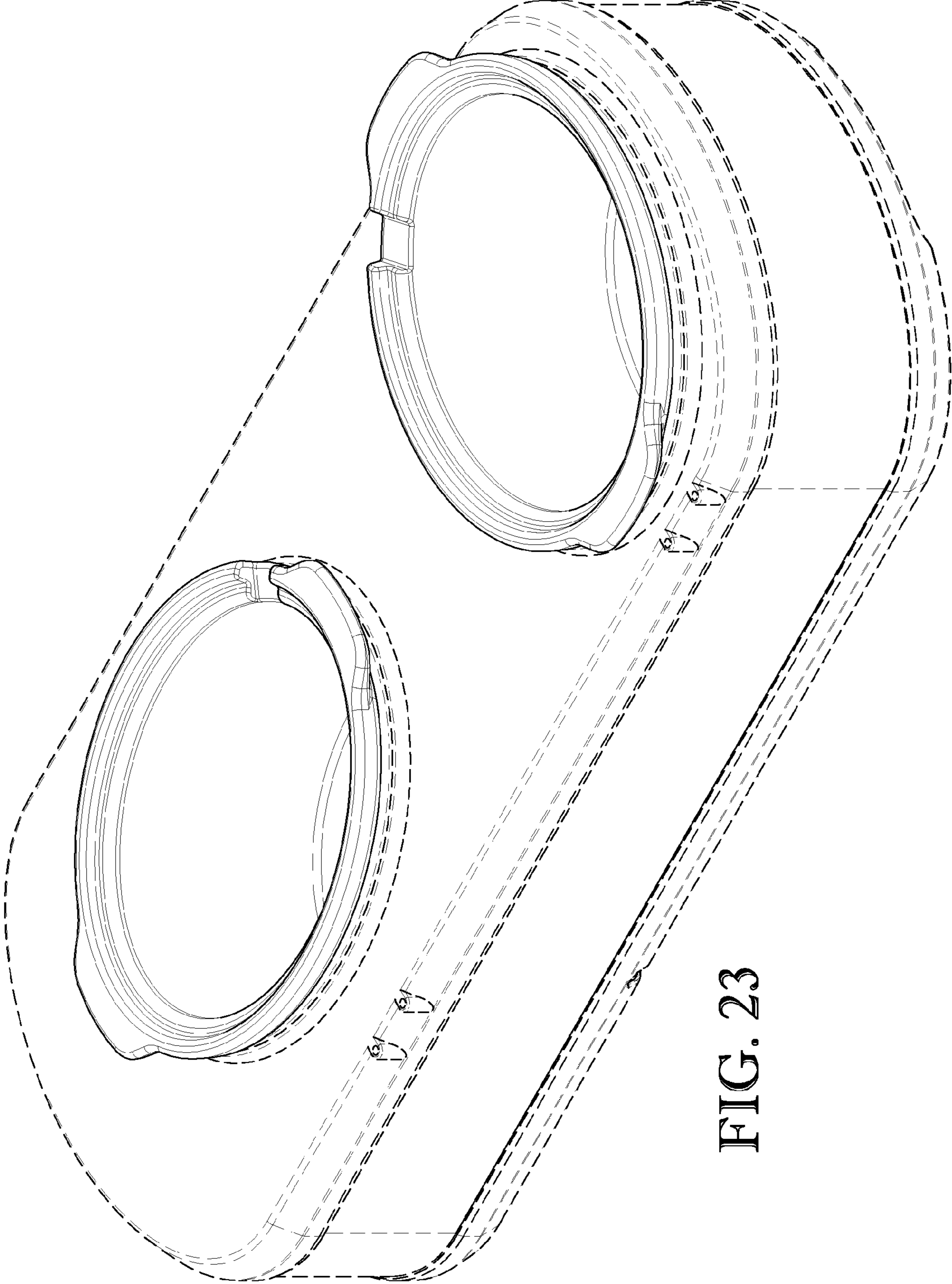


FIG. 23

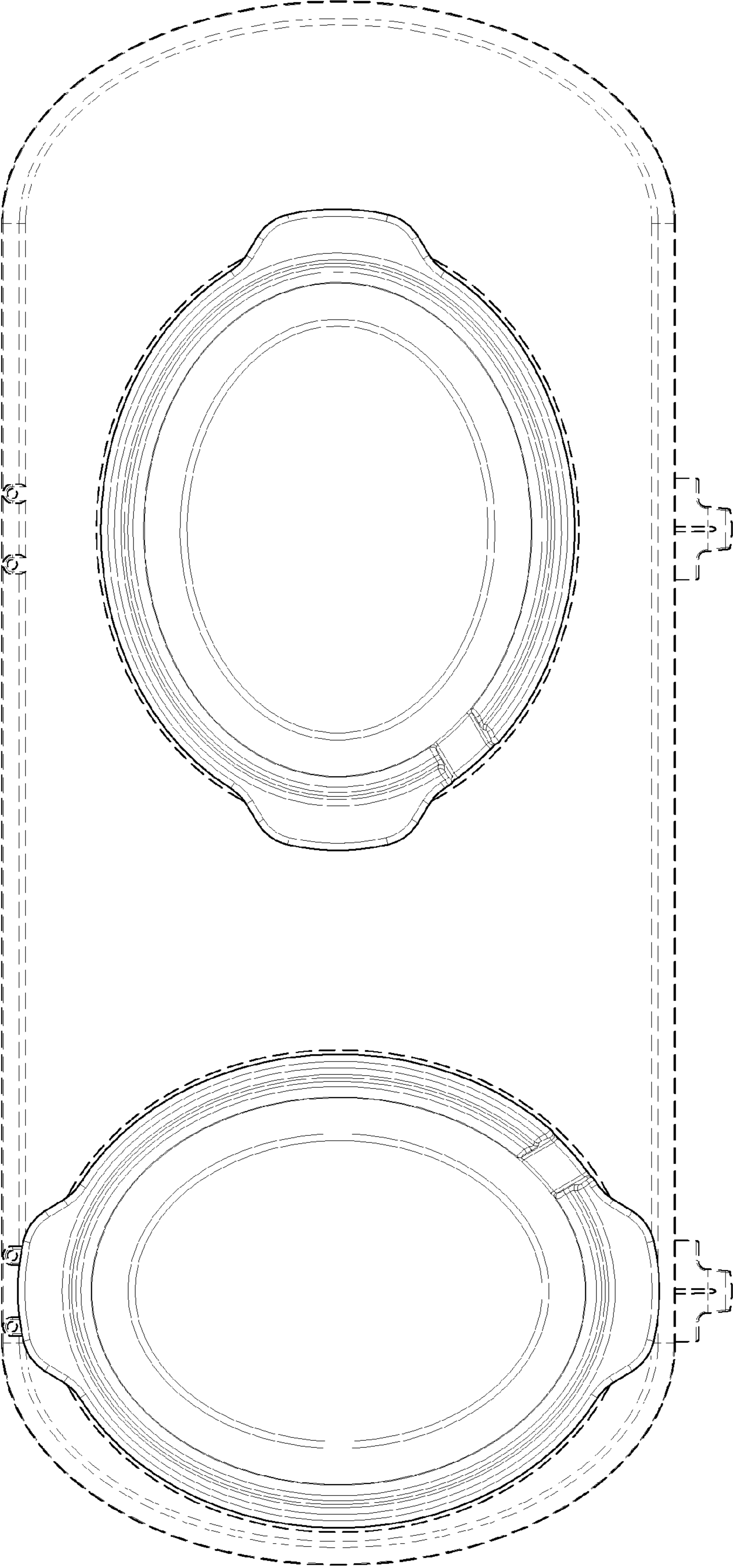


FIG. 24

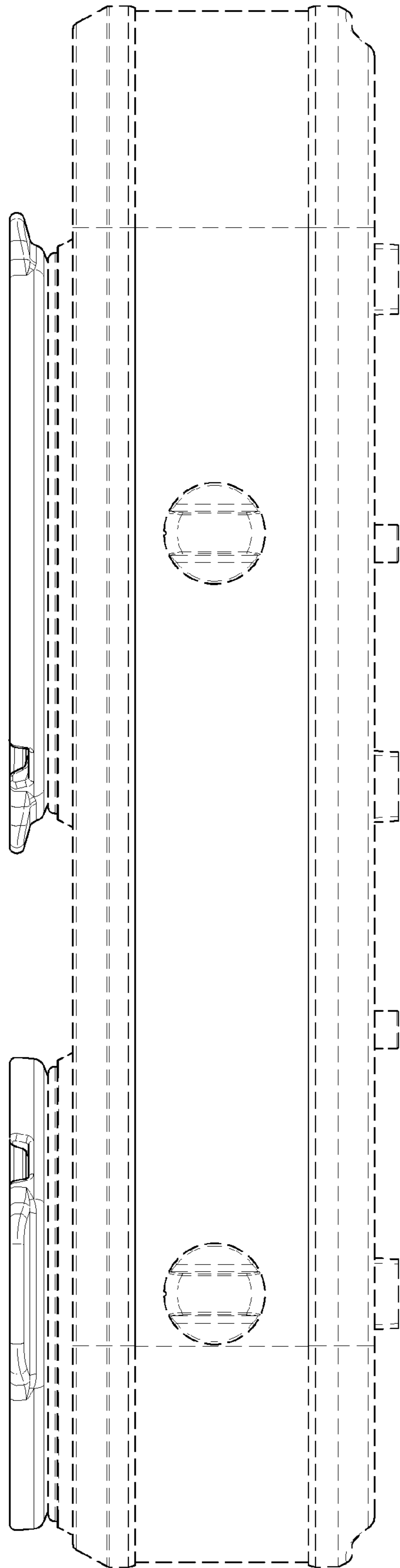


FIG. 25

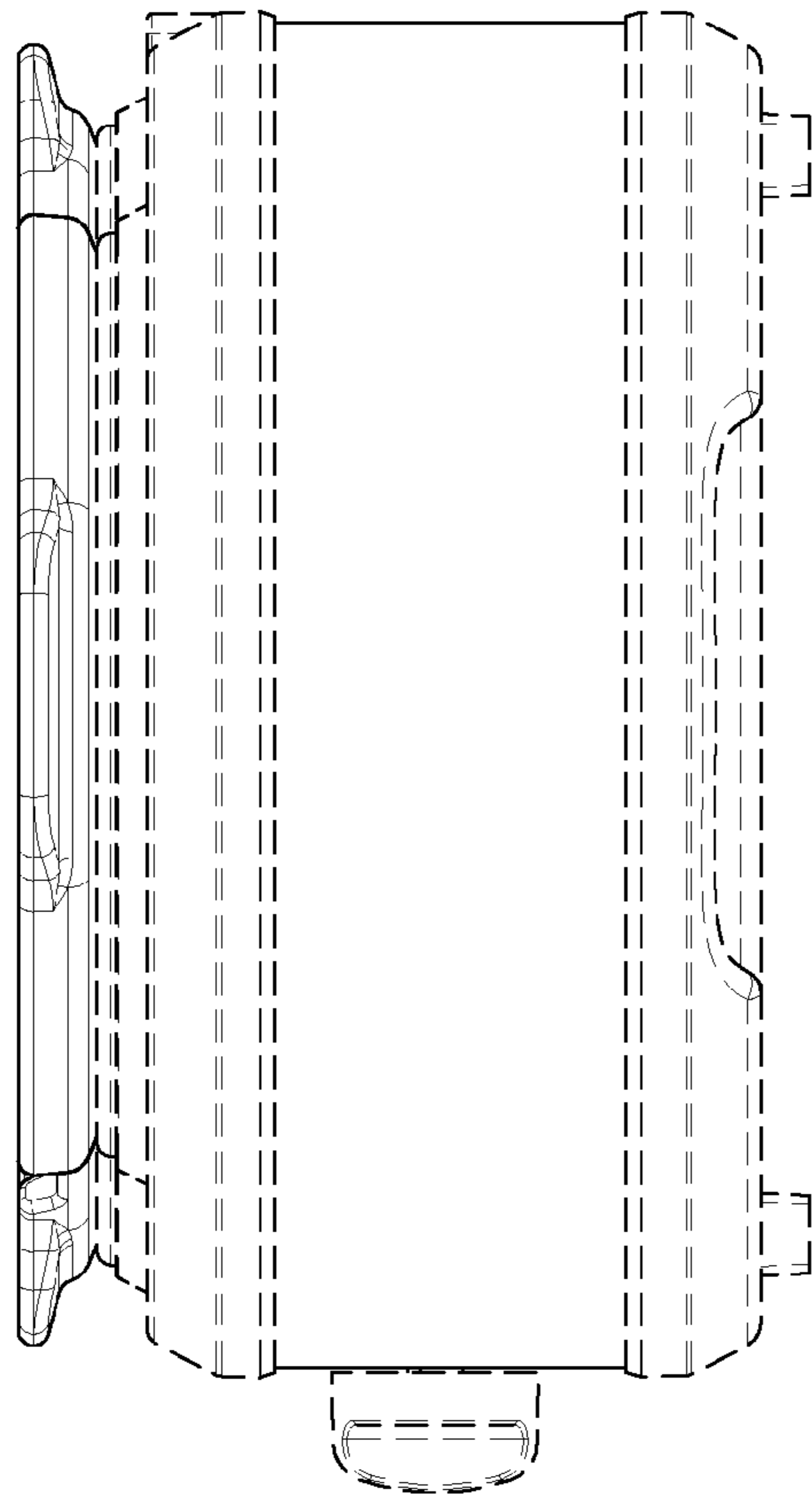


FIG. 26

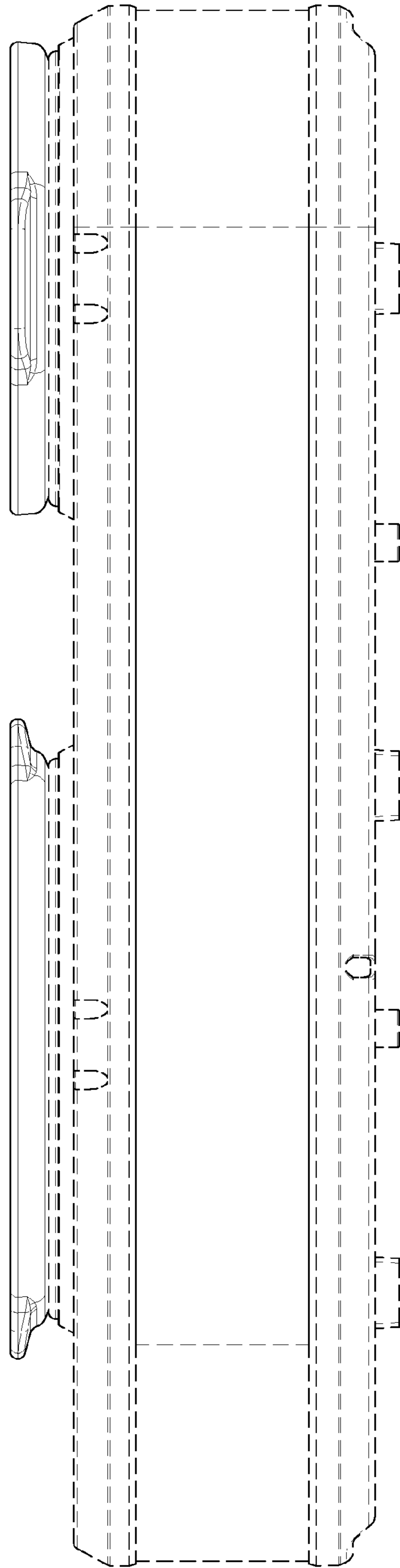


FIG. 27

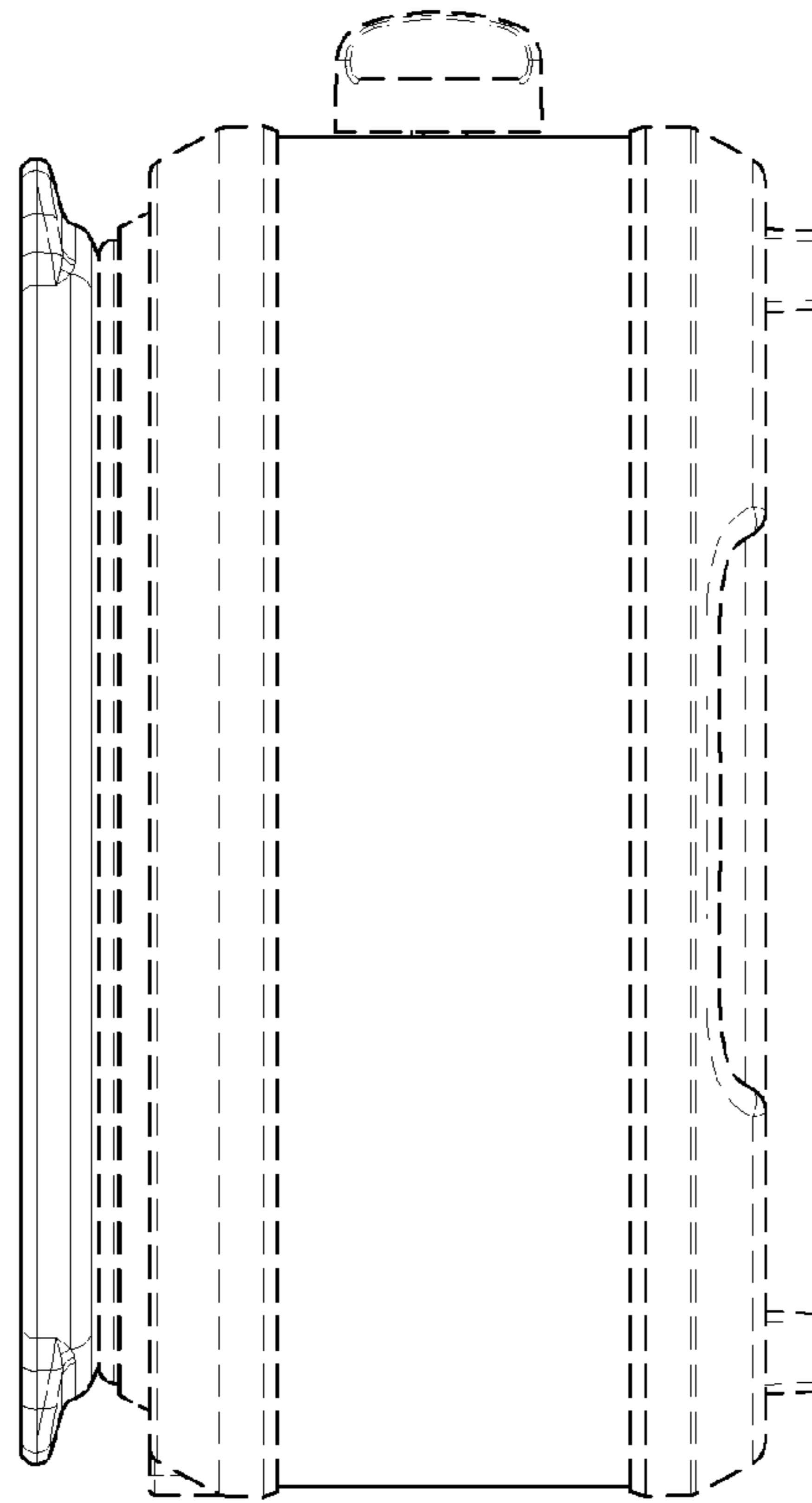


FIG. 28

(12) **INTER PARTES REVIEW CERTIFICATE** (89th)

United States Patent
Endres et al.

(10) **Number:** **US D669,731 K1**
(45) **Certificate Issued:** **Jul. 6, 2015**

(54) **MULTIPLE CROCK BUFFET SERVER**

(75) **Inventors:** **W. Eric Endres; Mark T. Krasne;**
William S. Endres

(73) **Assignee:** **SELECT BRANDS, INC.**

Trial Number:

IPR2013-00500 filed Aug. 7, 2013

Petitioner: Sensio, Inc.

Patent Owner: Select Brands, Inc.

Inter Partes Review Certificate for:

Patent No.: **D669,731**
Issued: **Oct. 30, 2012**
Appl. No.: **29/383,204**
Filed: **Jan. 13, 2011**

The results of IPR2013-00500 are reflected in this inter partes review certificate under 35 U.S.C. 318(b).

INTER PARTES REVIEW CERTIFICATE
U.S. Patent D669,731 K1
Trial No. IPR2013-00500
Certificate Issued Jul. 6, 2015

1

2

AS A RESULT OF THE INTER PARTES REVIEW
PROCEEDING, IT HAS BEEN DETERMINED
THAT:

The claim is cancelled.

5

* * * * *