

US00D669727S

(12) **United States Design Patent**
Pagano

(10) **Patent No.:** **US D669,727 S**

(45) **Date of Patent:** **** Oct. 30, 2012**

(54) **BEVERAGE-MAKING MACHINE**

(75) Inventor: **Gaetano Pagano**, Florence (IT)

(73) Assignee: **Luigi Lavazza S.p.A.**, Turin (IT)

(**) Term: **14 Years**

(21) Appl. No.: **29/390,532**

(22) Filed: **Apr. 26, 2011**

(30) **Foreign Application Priority Data**

Oct. 27, 2010 (WO) DM/075 054

(51) **LOC (9) Cl.** **07-01**

(52) **U.S. Cl.** **D7/307; D7/308; D7/311**

(58) **Field of Classification Search** D7/306-311;
99/309, 280, 292, 992

See application file for complete search history.

(56) **References Cited**

U.S. PATENT DOCUMENTS

- D259,790 S * 7/1981 Hentschel D7/311
- D269,680 S * 7/1983 Prandelli D7/311
- D321,806 S * 11/1991 Chaney D7/308
- D453,655 S * 2/2002 Powell et al. D7/306
- D482,231 S * 11/2003 Dickson et al. D7/378

- D499,599 S * 12/2004 Morrison D7/309
- D613,112 S * 4/2010 Lippert et al. D7/397
- D626,367 S * 11/2010 Gross et al. D7/301
- D633,746 S * 3/2011 Lam D7/309
- D652,244 S * 1/2012 Richardson et al. D7/307

* cited by examiner

Primary Examiner — Marianne Pandozzi

(74) *Attorney, Agent, or Firm* — Sughrue Mion, PLLC

(57) **CLAIM**

The ornamental design for a beverage-making machine, as shown and described.

DESCRIPTION

FIG. 1 is a front elevational view of the a beverage-making machine that comprises my invention;
 FIG. 2 is a rear elevational view thereof;
 FIG. 3 is a right side elevational view thereof;
 FIG. 4 is a left side elevational view thereof;
 FIG. 5 is a top plan view thereof;
 FIG. 6 is a bottom plan view thereof;
 FIG. 7 is a perspective view of the front and right side thereof;
 and,
 FIG. 8 is a perspective view of the rear and left side thereof.

1 Claim, 8 Drawing Sheets

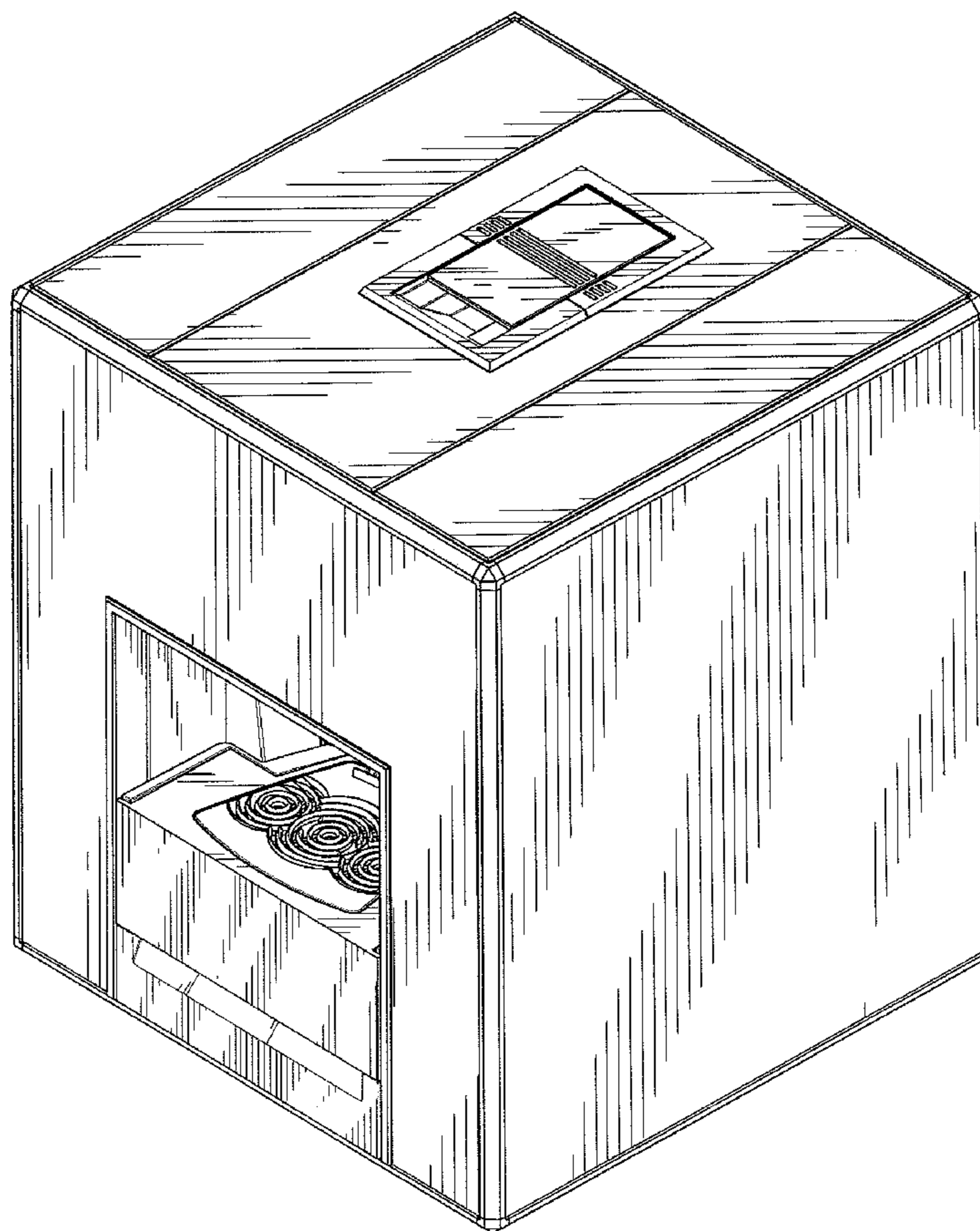


Fig. 1

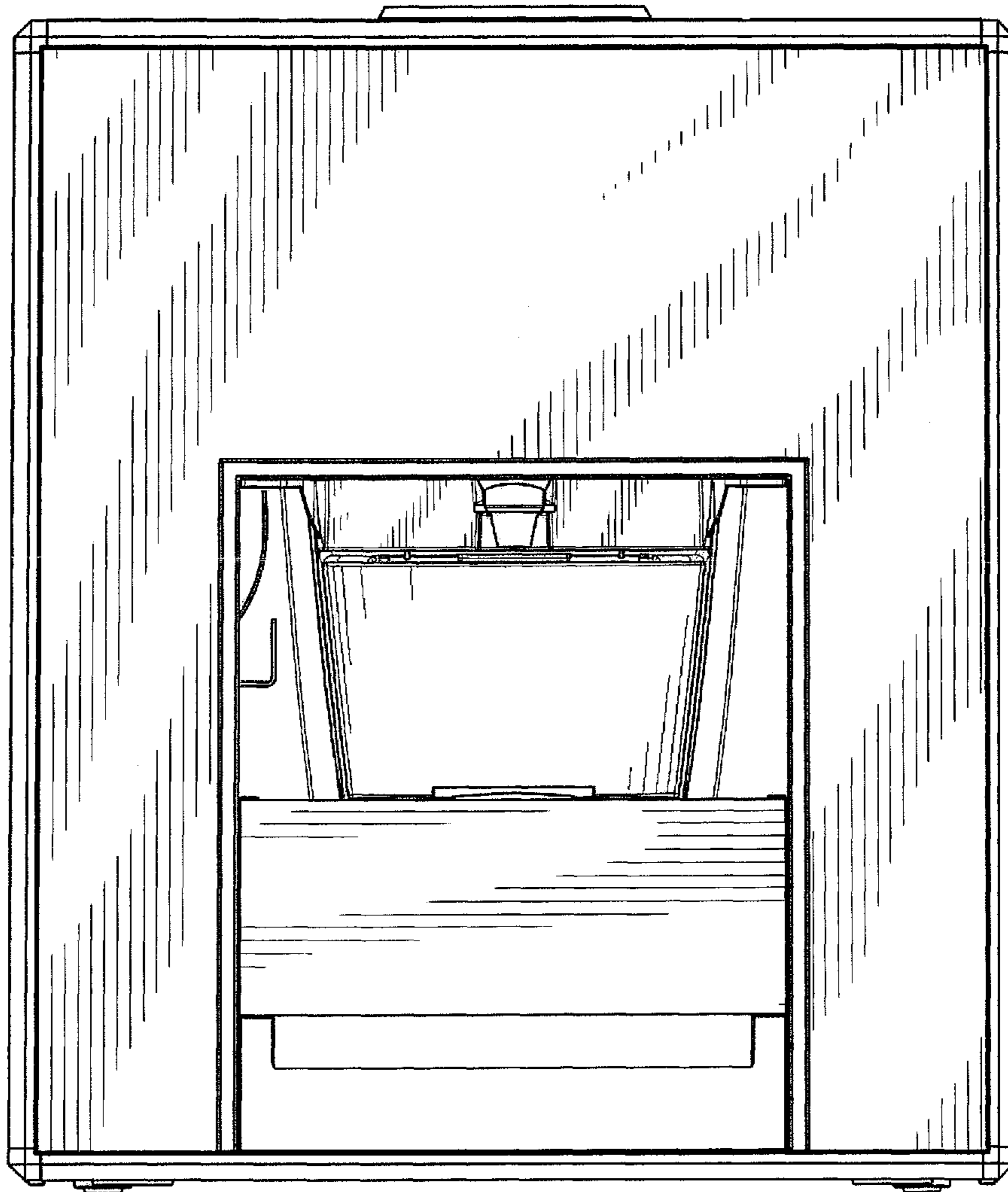


Fig.2

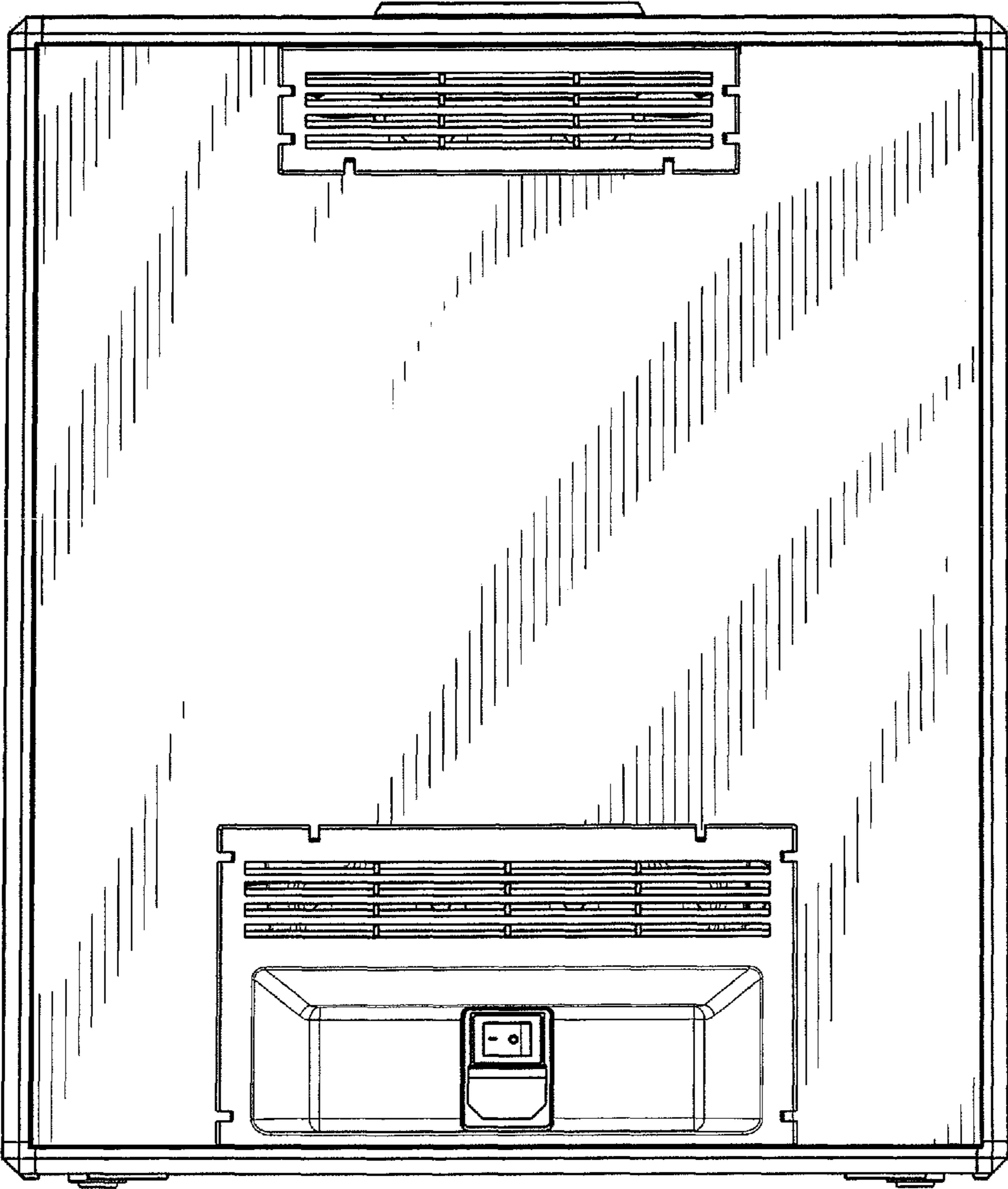


Fig.3

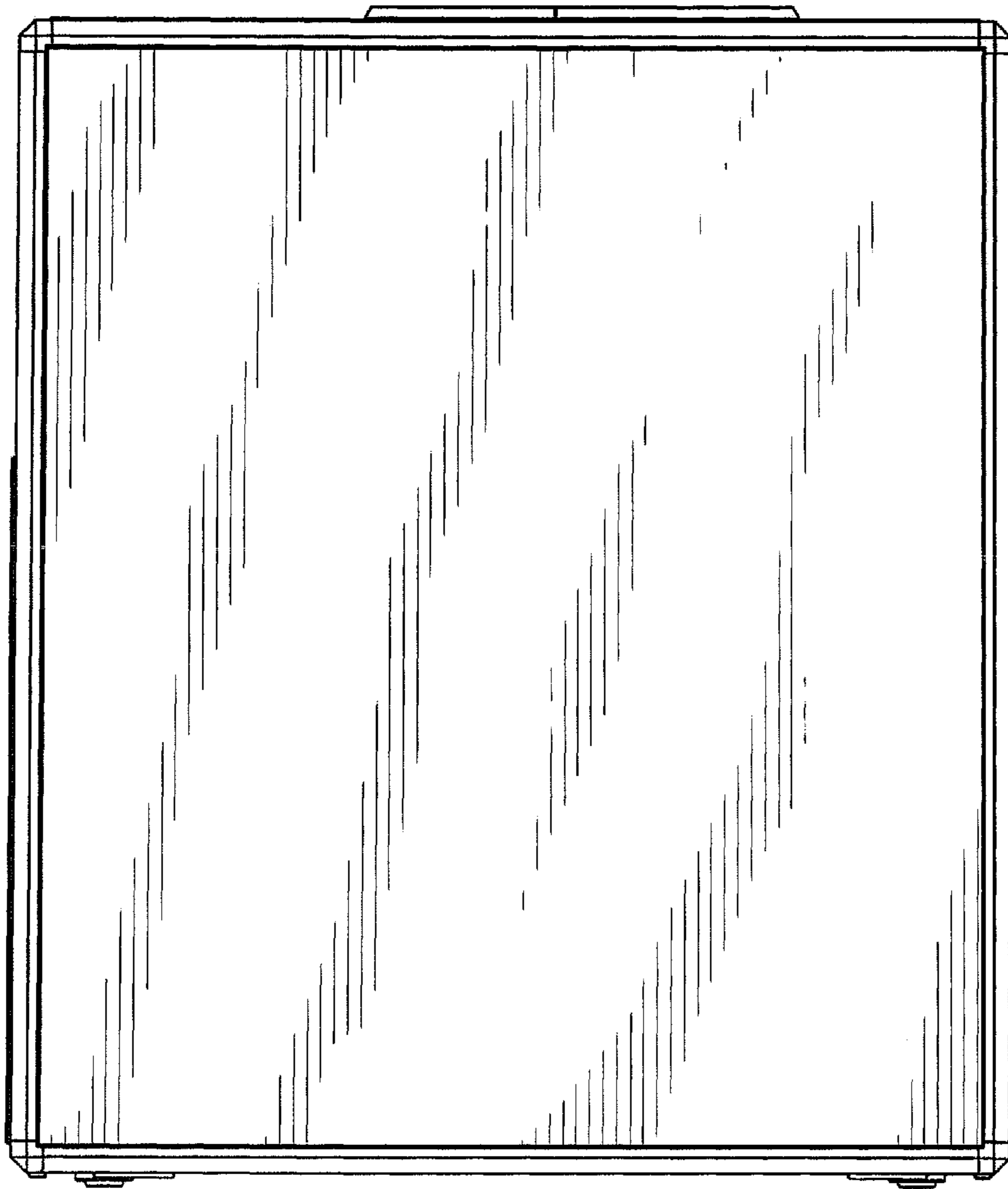


Fig.4

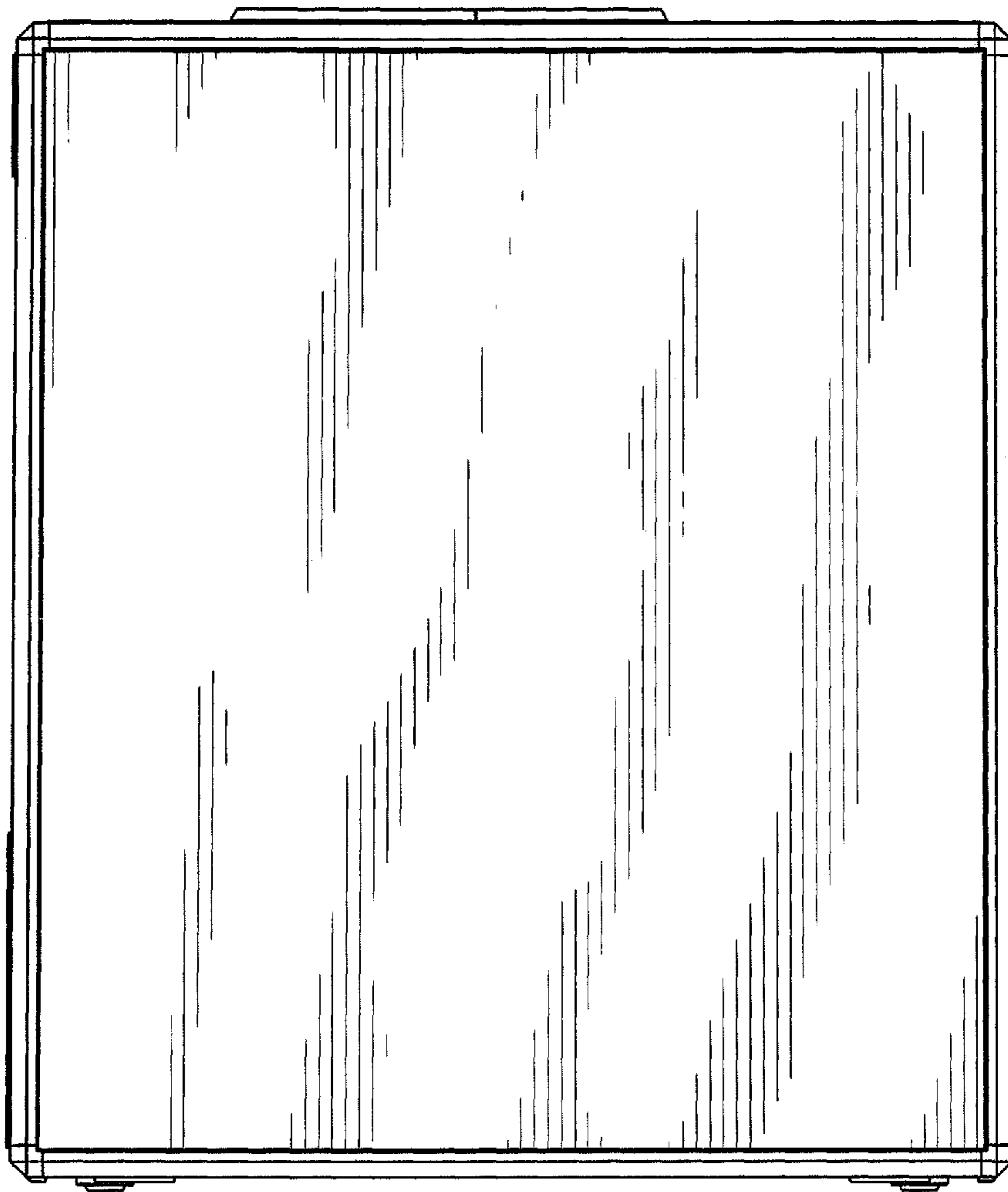


Fig.5

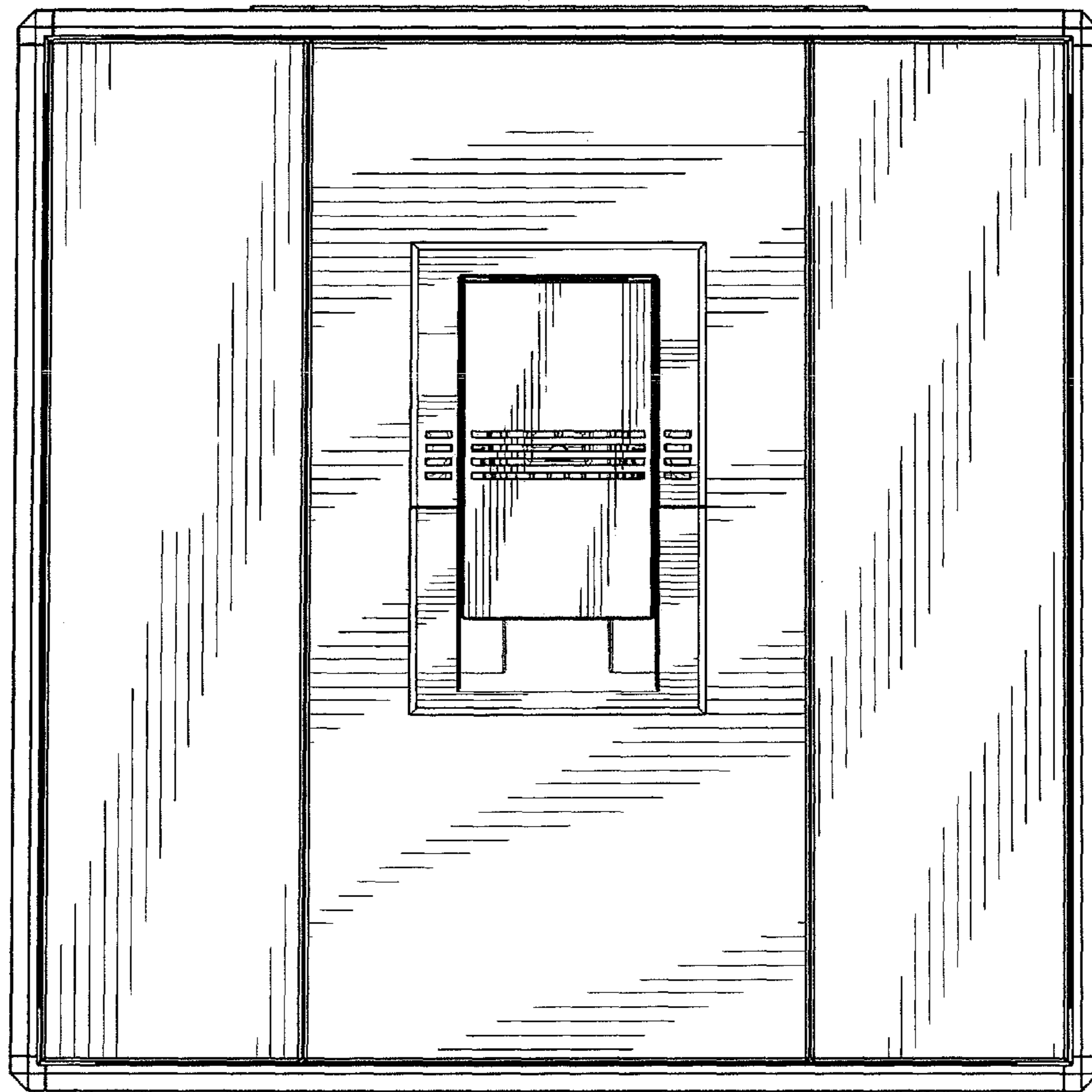


Fig.6

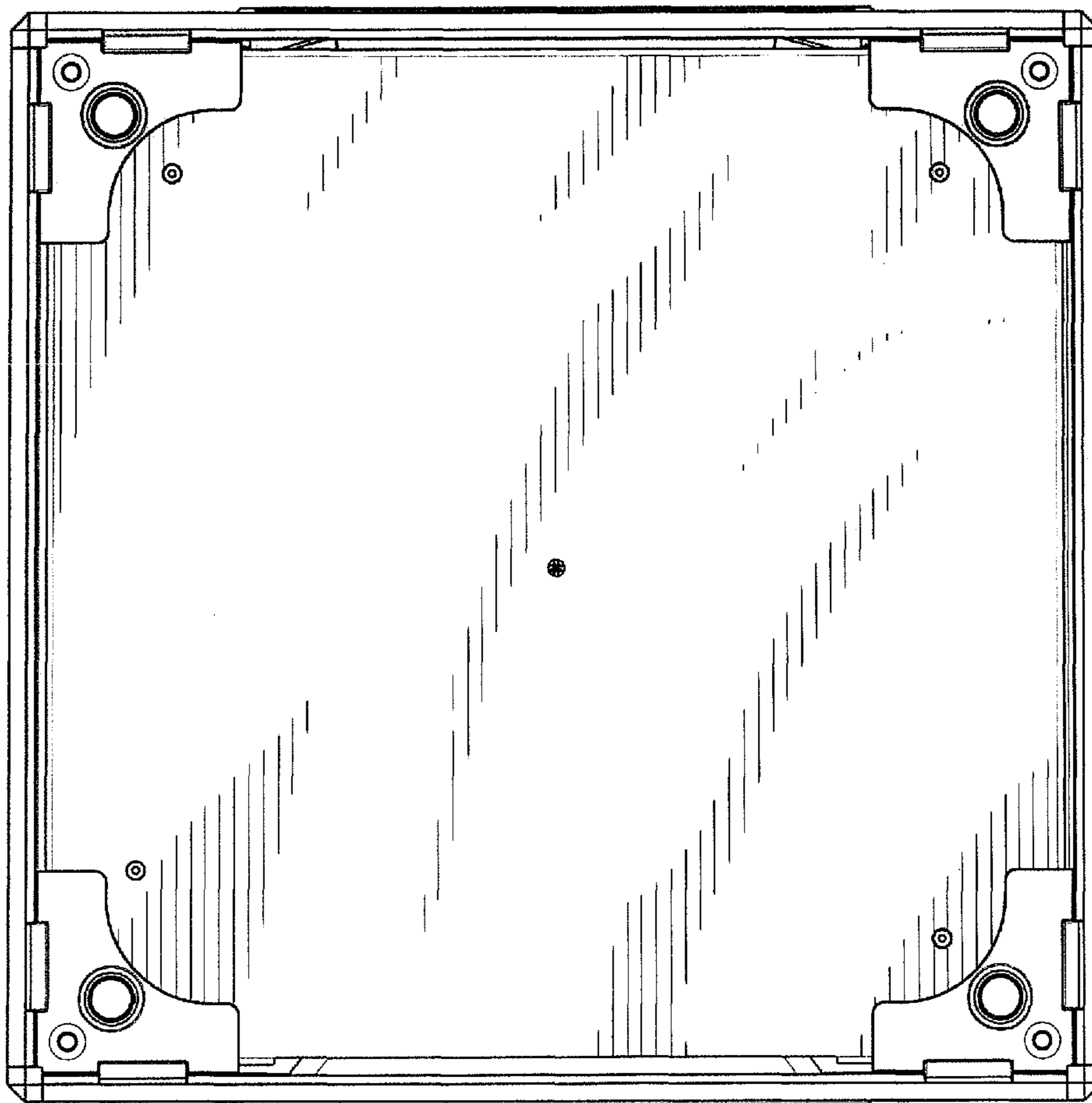


Fig.7

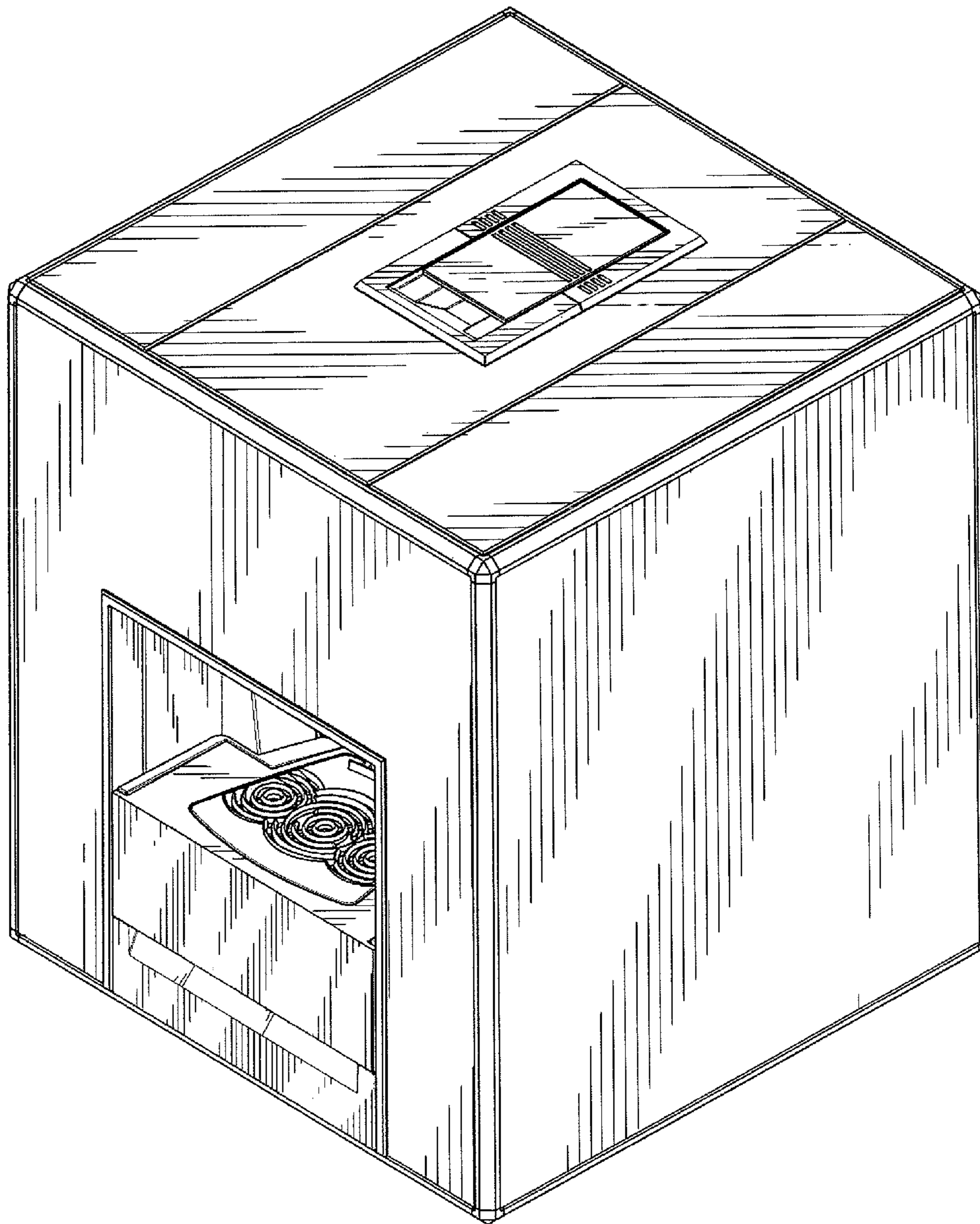


Fig.8

