

US00D669726S

(12) **United States Design Patent**
Wightman

(10) **Patent No.:** **US D669,726 S**
(45) **Date of Patent:** **** Oct. 30, 2012**

(54) **MATTRESS**

(75) Inventor: **Leona Wightman**, Huntley, IL (US)

(73) Assignee: **Serta, Inc.**, Hoffman Estates, IL (US)

(**) Term: **14 Years**

(21) Appl. No.: **29/406,422**

(22) Filed: **Nov. 14, 2011**

Related U.S. Application Data

(62) Division of application No. 29/383,811, filed on Jan. 21, 2011, now Pat. No. Des. 651,443.

(51) **LOC (9) Cl.** **06-09**

(52) **U.S. Cl.** **D6/606; D6/605**

(58) **Field of Classification Search** D6/595,
D6/596, 602, 605; 5/690, 692, 739, 663,
5/691, 717; 248/345.1; D8/403

See application file for complete search history.

(56) **References Cited**

U.S. PATENT DOCUMENTS

3,512,191	A *	5/1970	Wall	5/692
4,101,995	A	7/1978	Phillips		
4,312,087	A	1/1982	De Geus		
4,344,196	A	8/1982	Large		
5,029,353	A	7/1991	Kimball et al.		
5,173,976	A	12/1992	Jubenville		
5,231,714	A *	8/1993	Mossbeck	5/400

5,970,544	A	10/1999	Kardell		
6,594,836	B1	7/2003	Everson et al.		
D479,082	S	9/2003	Daughtery et al.		
6,983,500	B2	1/2006	Wootten		
D550,406	S	9/2007	West		
D651,443	S *	1/2012	Wightman	D6/606

OTHER PUBLICATIONS

Bed Times, The Business Journal for the Sleep Products Industry, Supplies Guide 2011, Dec. 2010, p. 87.

* cited by examiner

Primary Examiner — Janice Seeger

(74) *Attorney, Agent, or Firm* — Quarles & Brady LLP; Nicholas P. Schmidbauer

(57) **CLAIM**

The ornamental design for a mattress, as shown and described.

DESCRIPTION

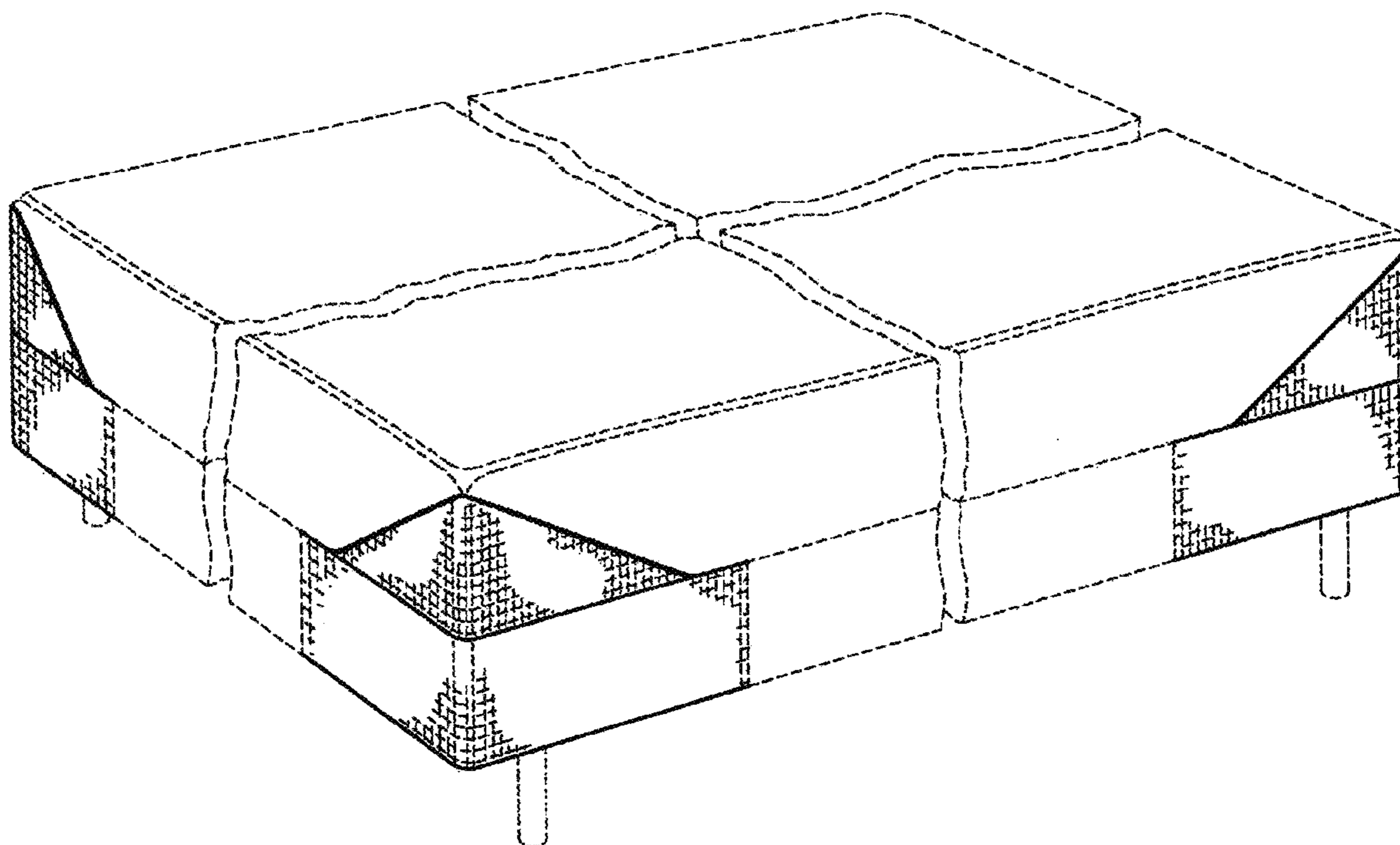
FIG. 1 is a front, top perspective view of an embodiment of a mattress showing my new design;

FIG. 2 is a left side view thereof, the right side being a mirror image thereof; and,

FIG. 3 is a front view thereof, the rear view being a mirror image thereof.

The broken lines are environmental and form no part of the claimed design.

1 Claim, 2 Drawing Sheets



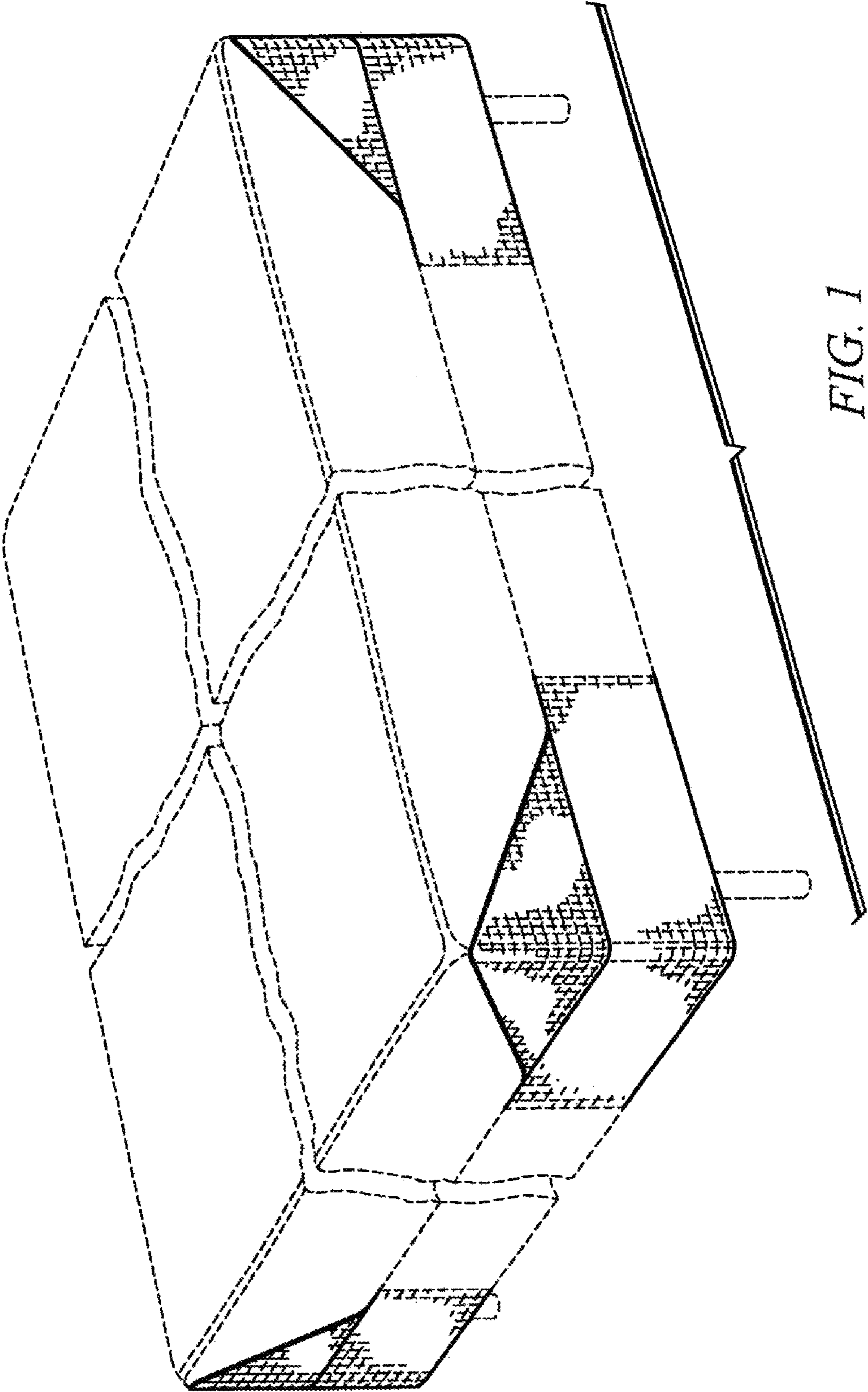


FIG. 1

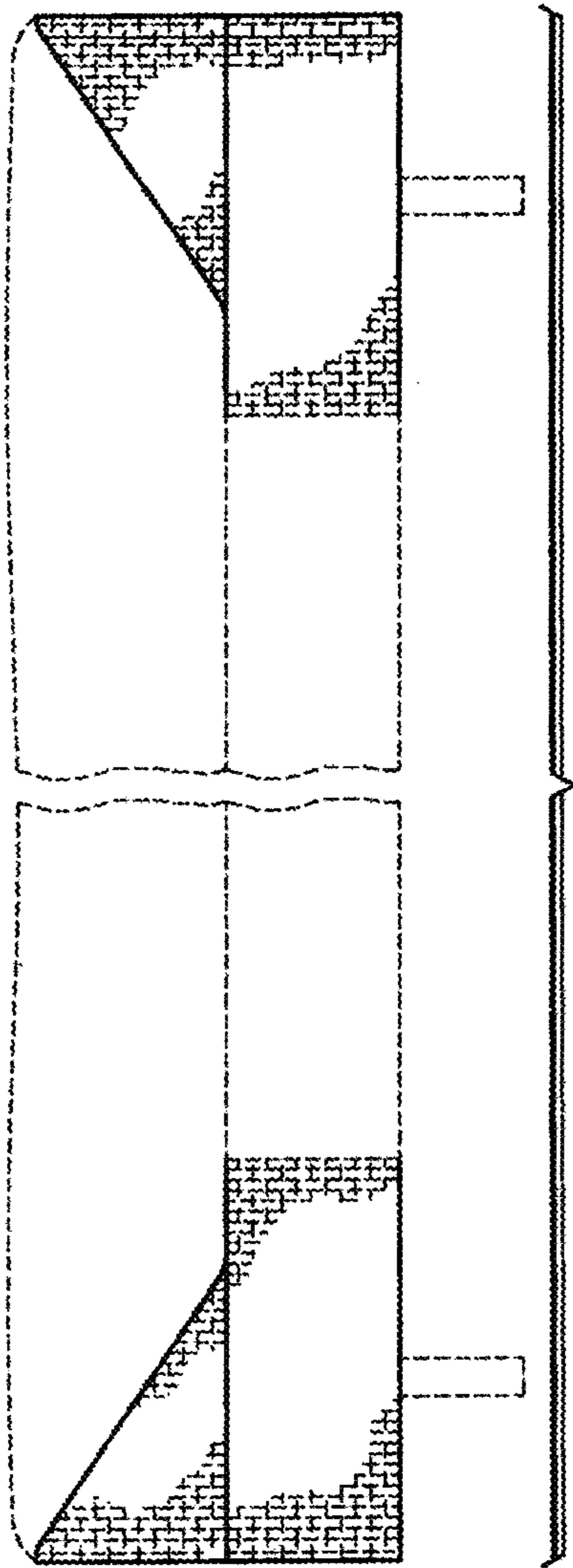


FIG. 2

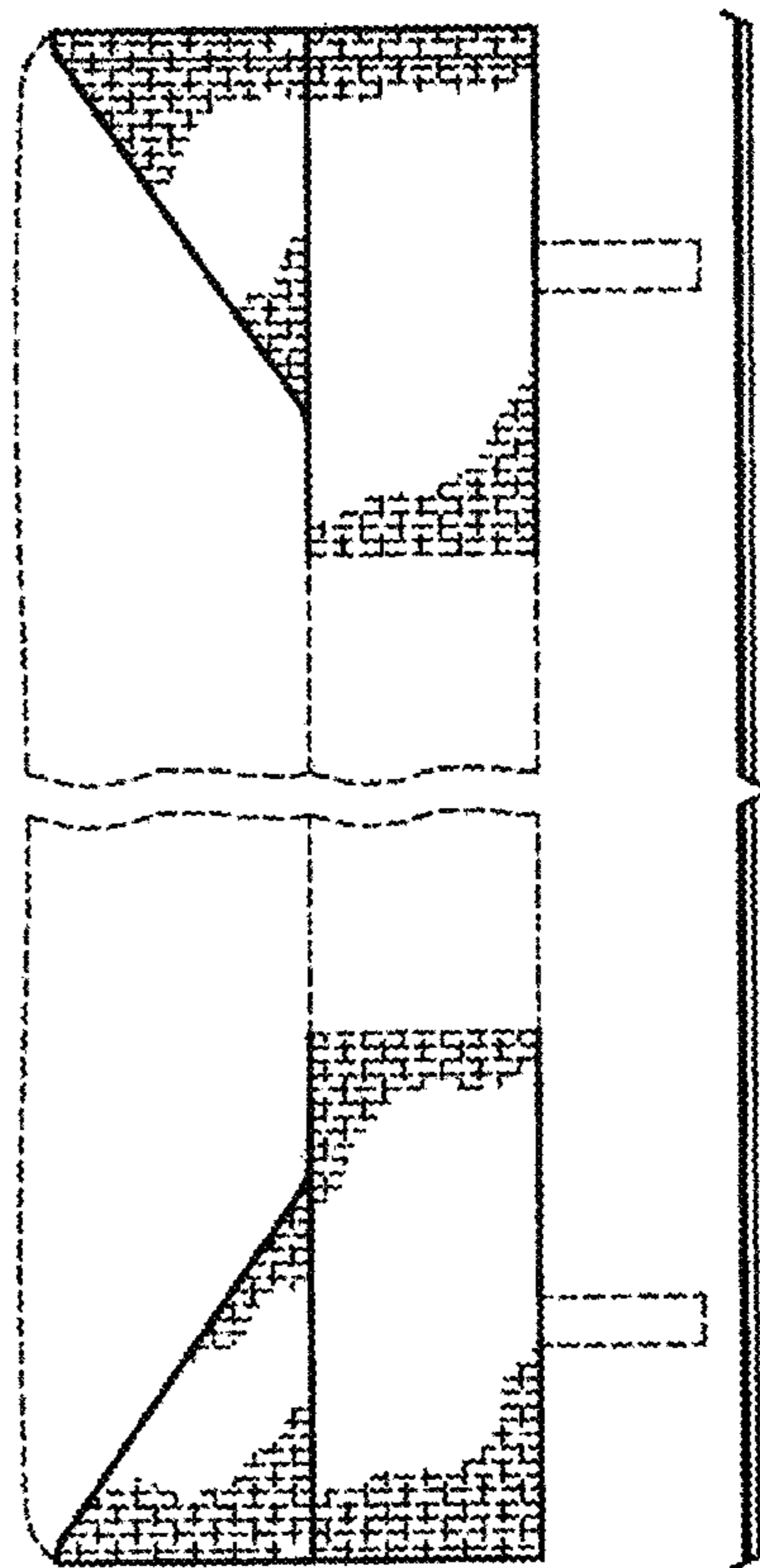


FIG. 3