

US00D669720S

(12) **United States Design Patent**
Rieger, Sr.

(10) **Patent No.:** **US D669,720 S**
(45) **Date of Patent:** **** Oct. 30, 2012**

(54) **BASKETBALL HOLDER**

(76) Inventor: **Timothy J. Rieger, Sr.**, Gibsonia, PA
(US)

(**) Term: **14 Years**

(21) Appl. No.: **29/373,147**

(22) Filed: **Mar. 8, 2011**

(51) **LOC (9) Cl.** **08-08**

(52) **U.S. Cl.** **D6/552**

(58) **Field of Classification Search** D6/329,
D6/396, 417, 552, 553, 567; D21/385, 662,
D21/698; 211/13.1, 49.1, 60.1, 64, 70.5,
211/86.01, 87.01, 88.01, 89.01, 181.1, 14,
211/85.7; 248/560, 121, 175, 200, 302, 304,
248/309.1, 310, 312; 206/315.9, 315.91
See application file for complete search history.

(56) **References Cited**

U.S. PATENT DOCUMENTS

3,122,270	A	2/1964	Meng et al.	
3,371,795	A *	3/1968	Rosonke	211/14
D248,809	S	8/1978	Kailey	
4,561,547	A	12/1985	Estwanik, III	
5,232,101	A	8/1993	Shaftner et al.	
D361,449	S *	8/1995	Rittenberg	D6/462
5,553,707	A	9/1996	Lion	
D389,688	S	1/1998	Iacono	
5,730,668	A	3/1998	Hege et al.	
D399,671	S *	10/1998	Arvans	D6/462
5,823,360	A *	10/1998	Gorosave	211/13.1
5,855,286	A	1/1999	Zaid	
D406,978	S *	3/1999	Cox	D6/566
5,894,951	A	4/1999	Hunt	
5,951,075	A	9/1999	Green	
D419,812	S *	2/2000	Robichaud	D6/566
D432,012	S *	10/2000	Roberts	D3/257
6,158,593	A *	12/2000	Olsen	211/14
6,257,406	B1	7/2001	Garino	
6,267,461	B1	7/2001	Dunagan et al.	
D461,986	S	8/2002	Talley	
6,454,105	B1 *	9/2002	Medina	211/14
D475,878	S	6/2003	Knable, III	

6,601,711	B1 *	8/2003	Knable, III	211/14
D479,650	S *	9/2003	Kan	D3/257
6,663,119	B2 *	12/2003	White	280/47.26
D505,038	S *	5/2005	Rose	D6/552
7,021,460	B2	4/2006	Roebach et al.	
D554,855	S	11/2007	Kershaw	
D557,540	S *	12/2007	Maycock	D6/552
D564,266	S *	3/2008	Goodman et al.	D6/515
D565,338	S	4/2008	St. Peter et al.	
D571,138	S *	6/2008	Riley	D6/552
7,398,888	B1	7/2008	Nowak	
7,500,570	B2	3/2009	Kurcheski	
D600,962	S *	9/2009	St. Peter et al.	D6/552
7,789,250	B2	9/2010	Aamodt	
7,806,259	B2	10/2010	Gregory et al.	
2006/0063621	A1	3/2006	Bell et al.	
2006/0086631	A1	4/2006	Williams	
2006/0113316	A1	6/2006	Kilgore, Sr.	
2006/0124562	A1 *	6/2006	Simonetta Kurcheski	211/14
2006/0186000	A1	8/2006	Gregory et al.	

* cited by examiner

Primary Examiner — Robert M Spear

Assistant Examiner — Rashida C McCoy

(74) *Attorney, Agent, or Firm* — Paul Bogdon

(57) **CLAIM**

I claim the ornamental design for a basketball holder, as shown and described.

DESCRIPTION

FIG. 1 is an environmental perspective view of a basketball holder showing my new design.

FIG. 2 is a front elevational view thereof;

FIG. 3 is a rear elevational view thereof;

FIG. 4 is a top view thereof;

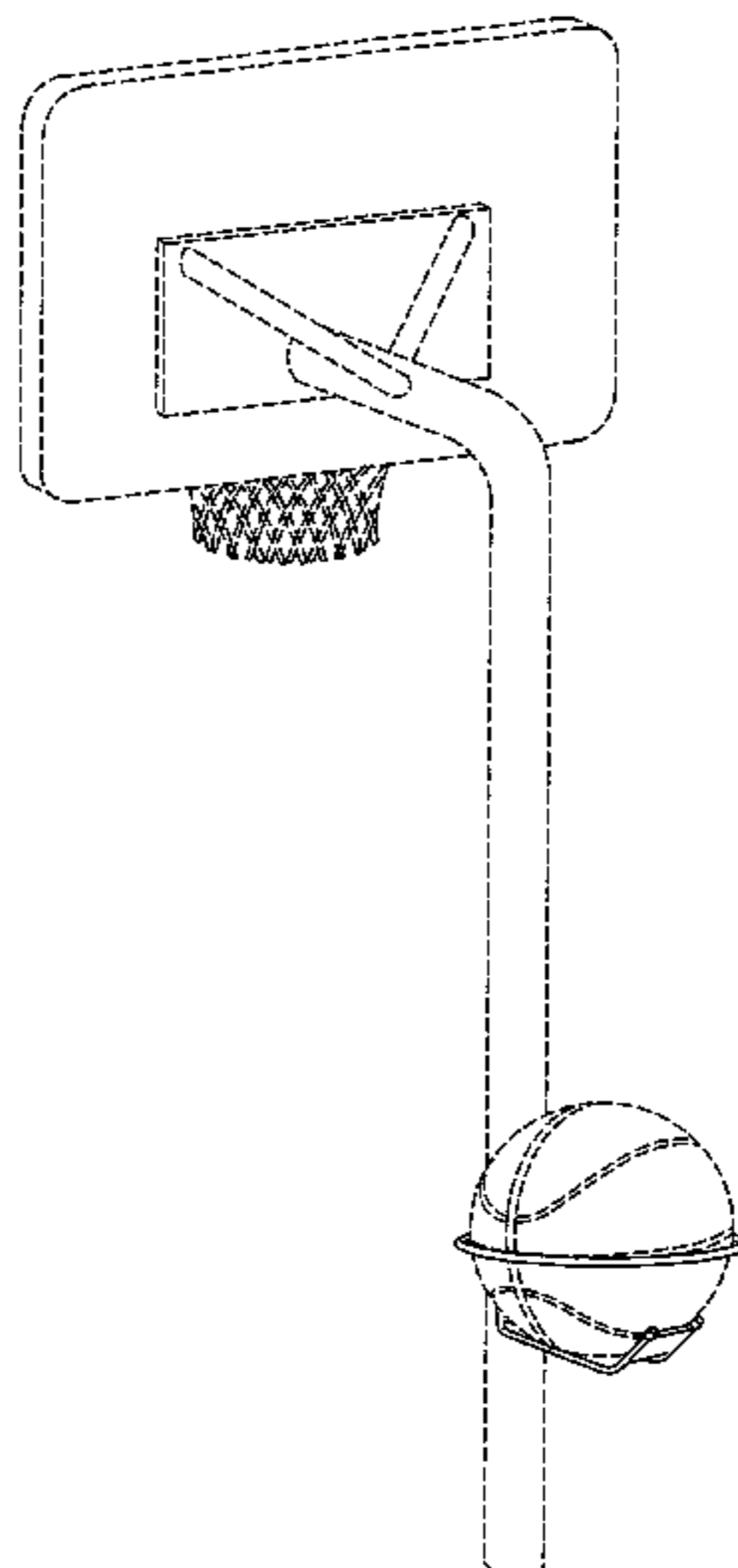
FIG. 5 is bottom view thereof;

FIG. 6 is a right side elevational view thereof; and,

FIG. 7 is a left side elevational view thereof.

The broken line showing of the basketball, the basketball pole, and the apertures in the back plate of the basketball holder is for illustrative purposes only and forms no part of the claimed design.

1 Claim, 4 Drawing Sheets



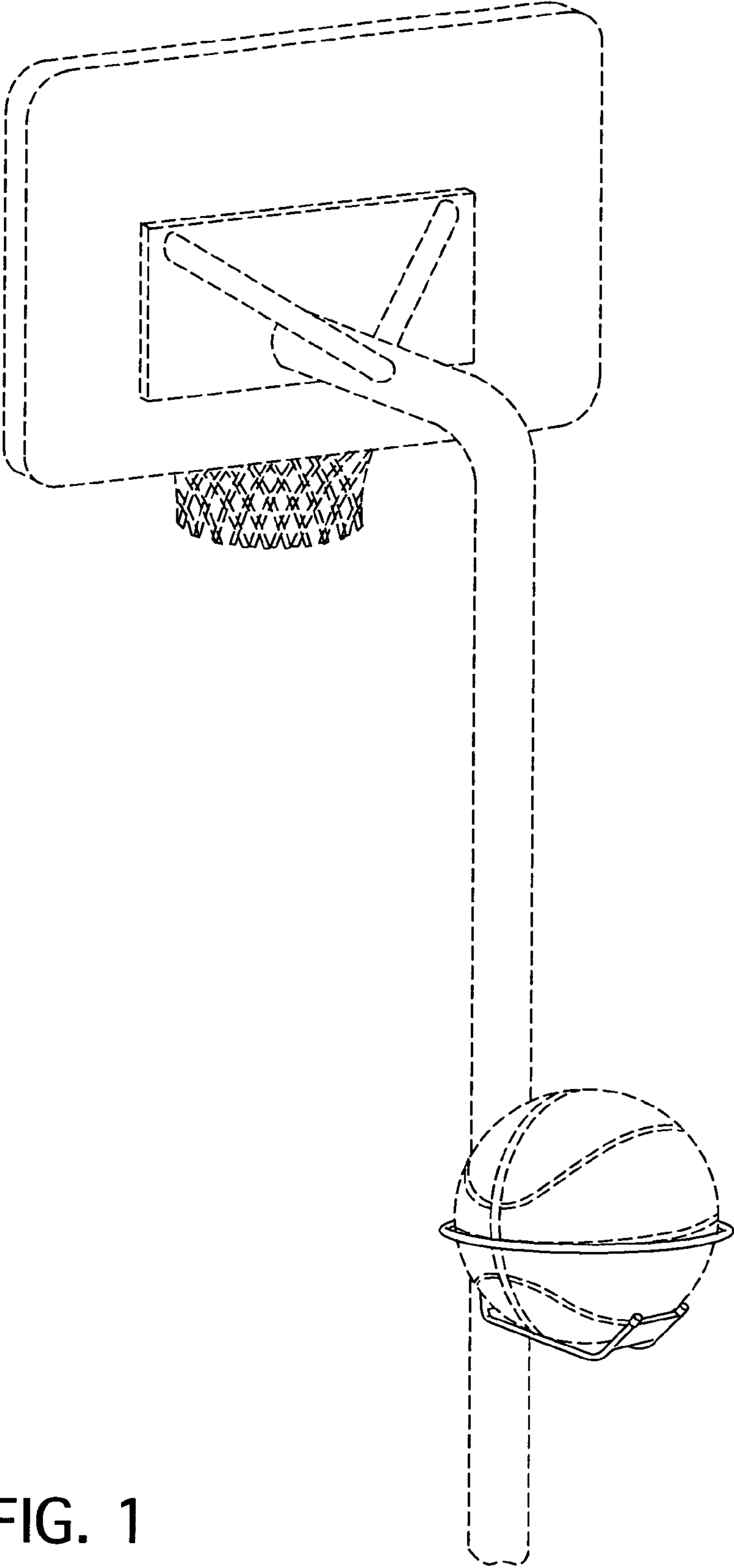


FIG. 1

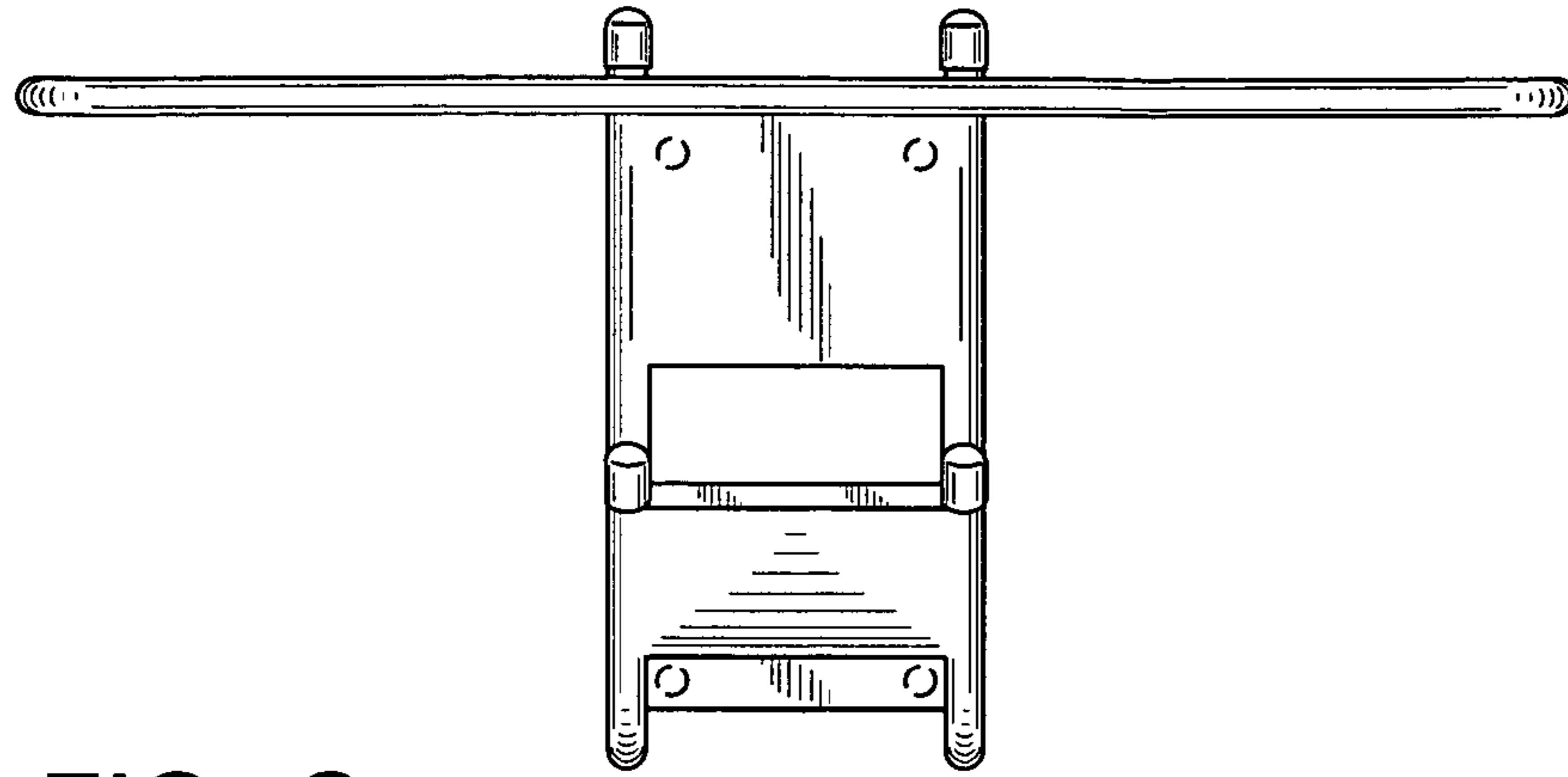


FIG. 2

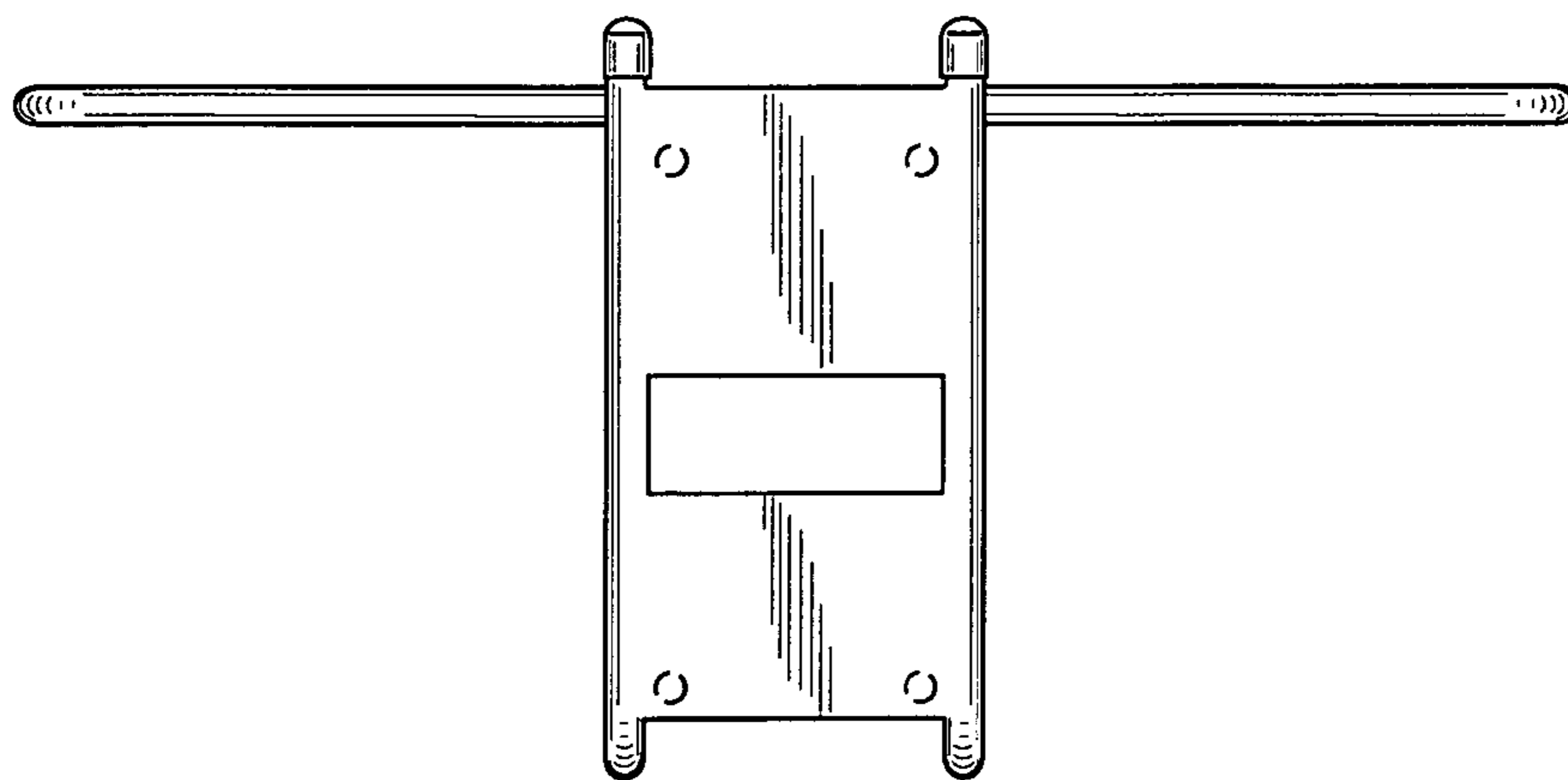


FIG. 3

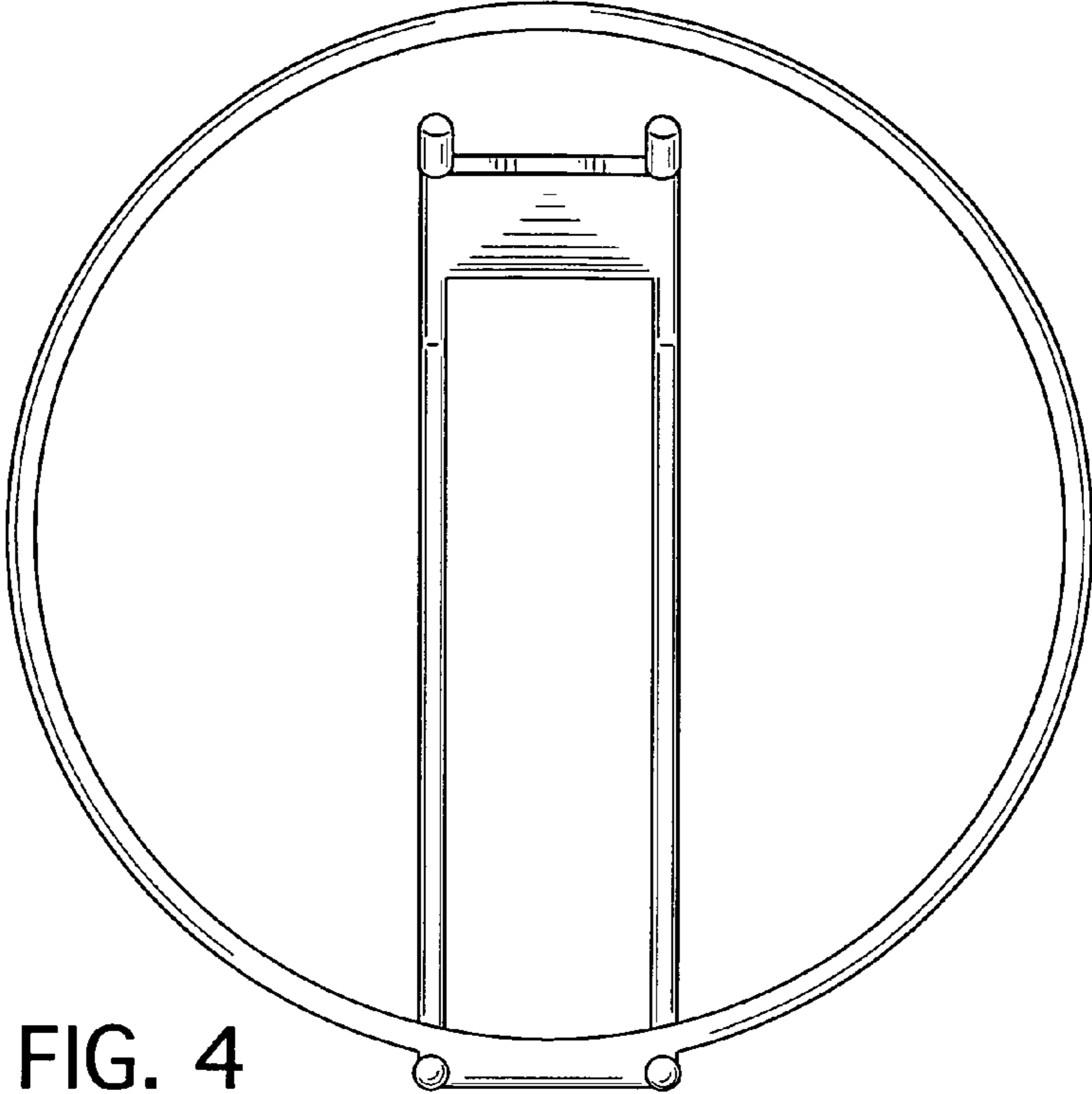


FIG. 4

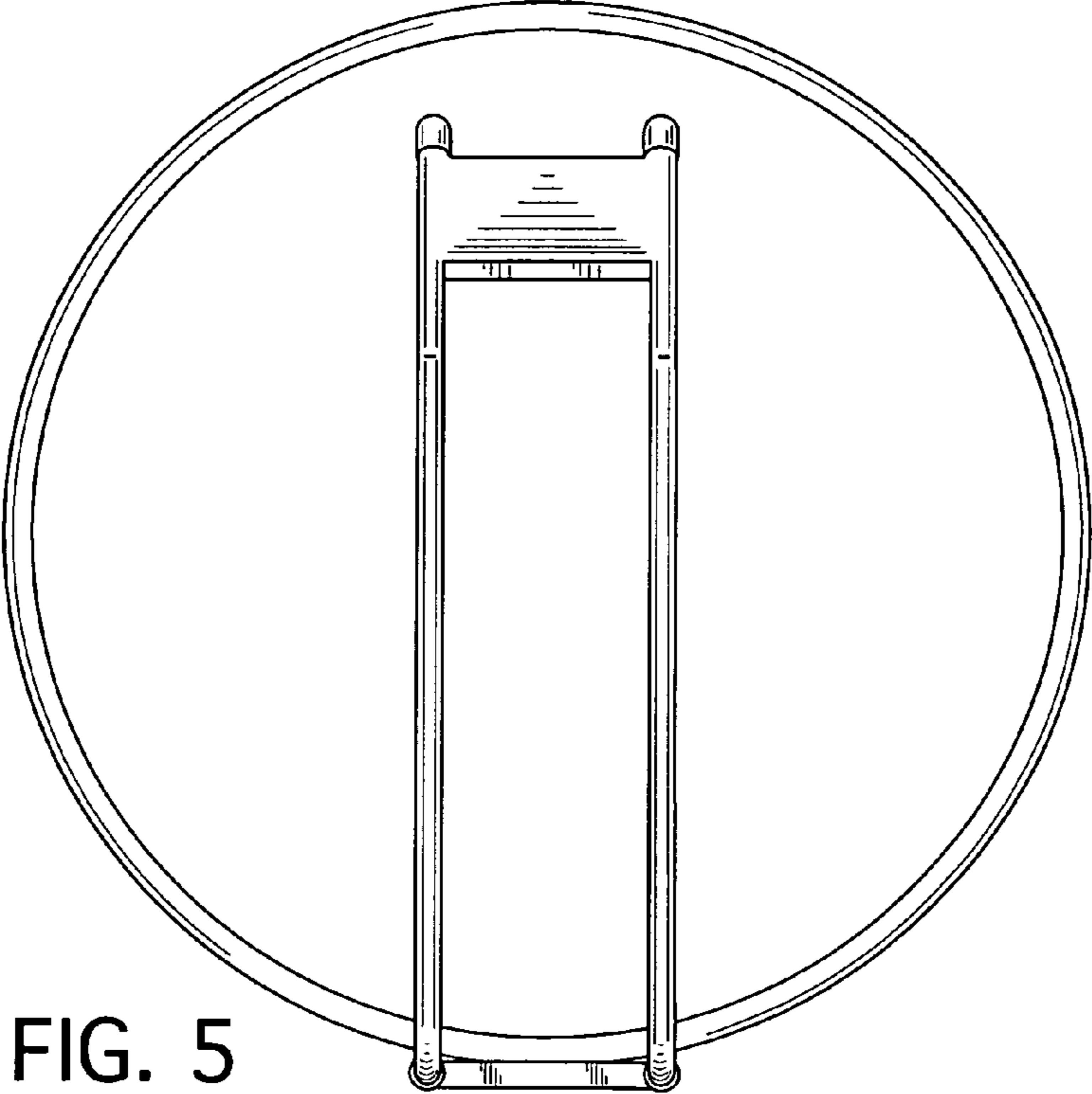


FIG. 5

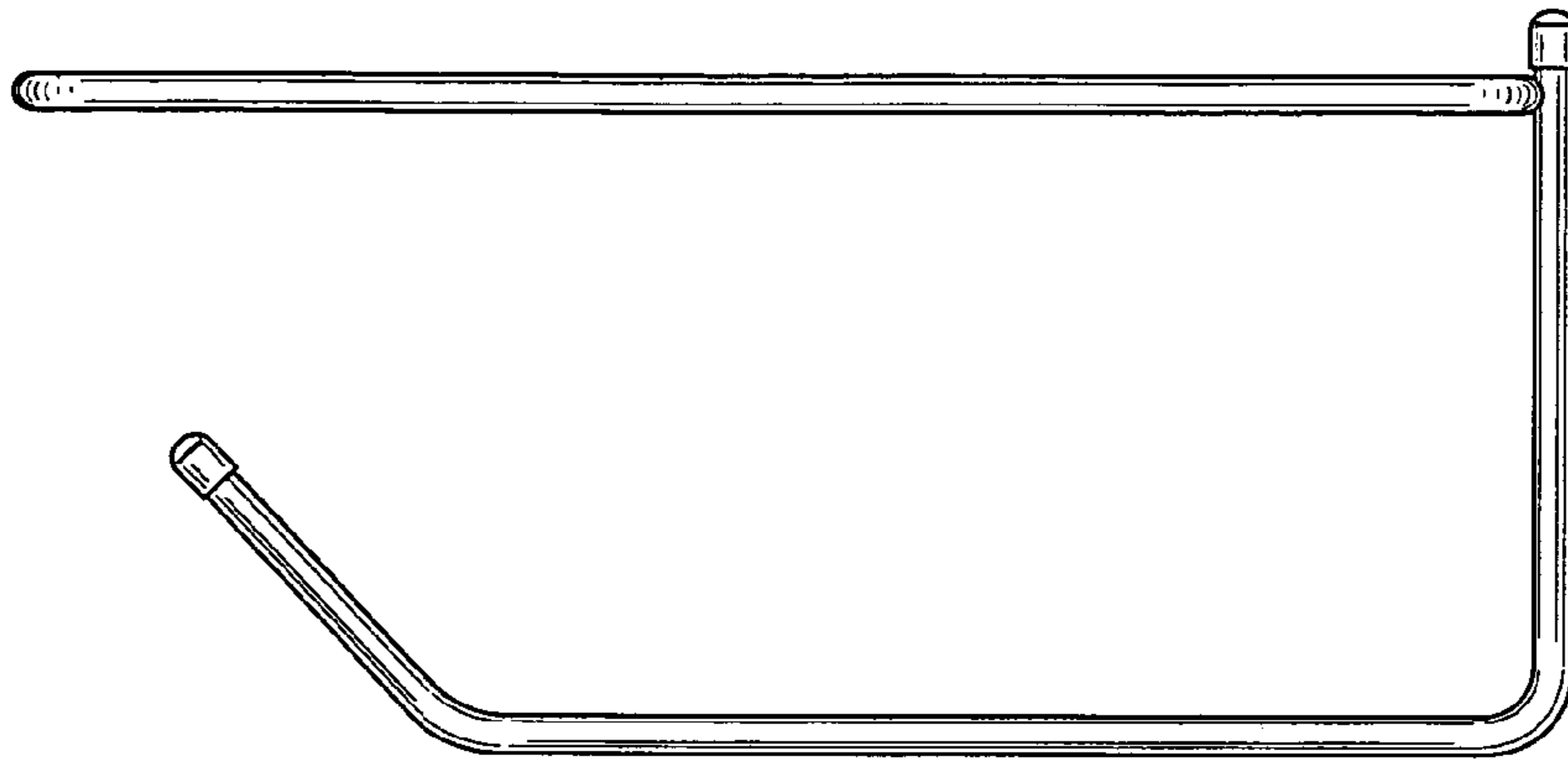


FIG. 6

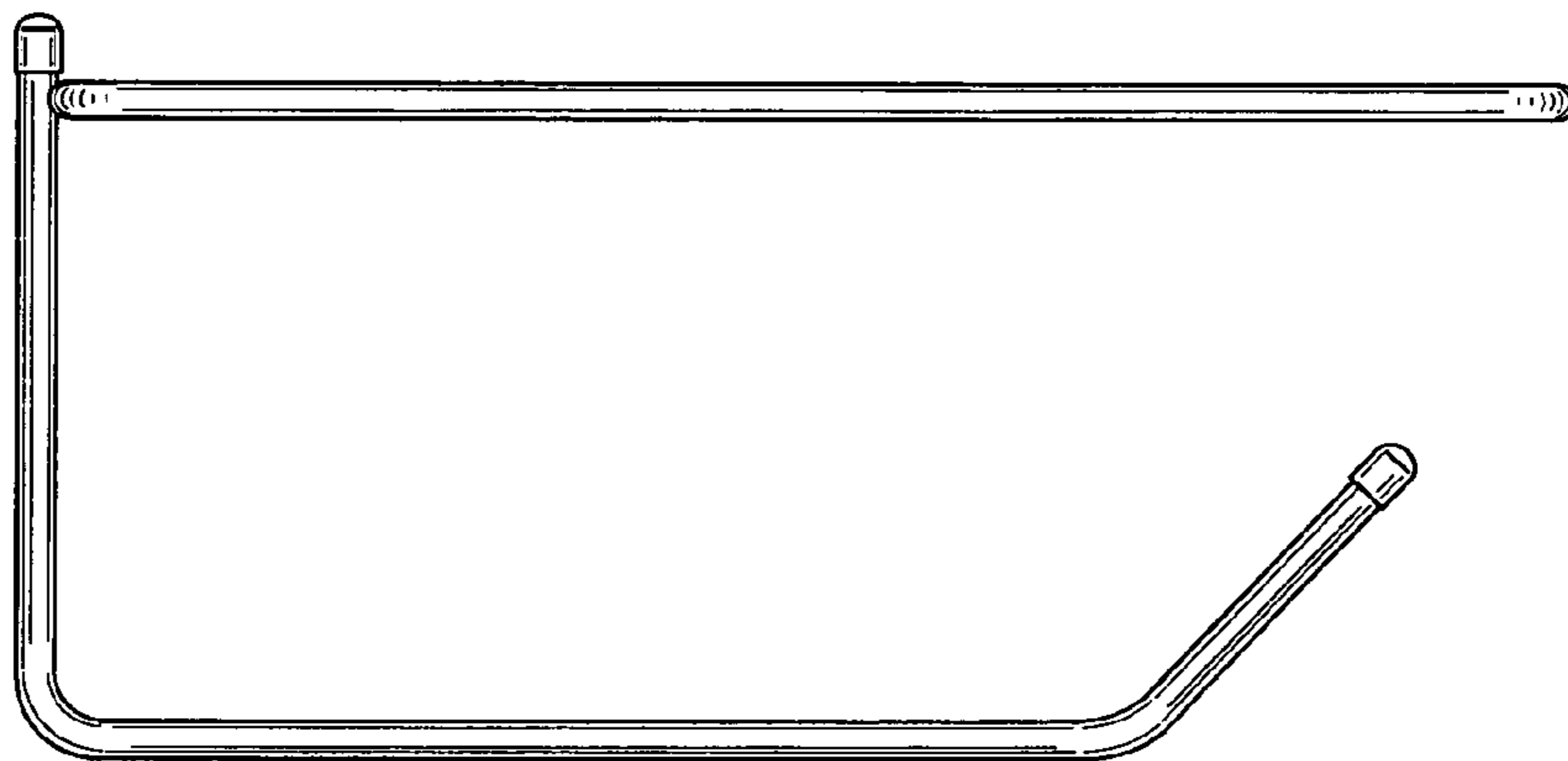


FIG. 7