

US00D669717S

(12) **United States Design Patent**
Legreca et al.

(10) **Patent No.:** **US D669,717 S**

(45) **Date of Patent:** **** Oct. 30, 2012**

(54) **CERAMIC SOAP DISH**

(75) Inventors: **Carl Legreca**, Cliffside Park, NJ (US);
Lydia Irwin, New York, NY (US)

(73) Assignee: **Crossill Home LLC**, New York, NY
(US)

(**) Term: **14 Years**

(21) Appl. No.: **29/406,312**

(22) Filed: **Nov. 11, 2011**

(51) **LOC (9) Cl.** **23-02**

(52) **U.S. Cl.** **D6/536**

(58) **Field of Classification Search** D6/536-540,
D6/532; D7/502, 550, 554.2; D9/682, 690,
D9/692; 206/77.1, 557, 587, 823; 211/13.1,
211/85.4, 85.12

See application file for complete search history.

(56) **References Cited**

U.S. PATENT DOCUMENTS

2,886,916 A * 5/1959 Rossi D6/536
D351,304 S * 10/1994 Glass D6/536

D386,029 S * 11/1997 Hsu D6/536
D615,789 S * 5/2010 Scott D6/536
D636,200 S * 4/2011 Yang et al. D6/536

* cited by examiner

Primary Examiner — Brian N Vinson

(74) *Attorney, Agent, or Firm* — Buchanan Ingersoll &
Rooney PC

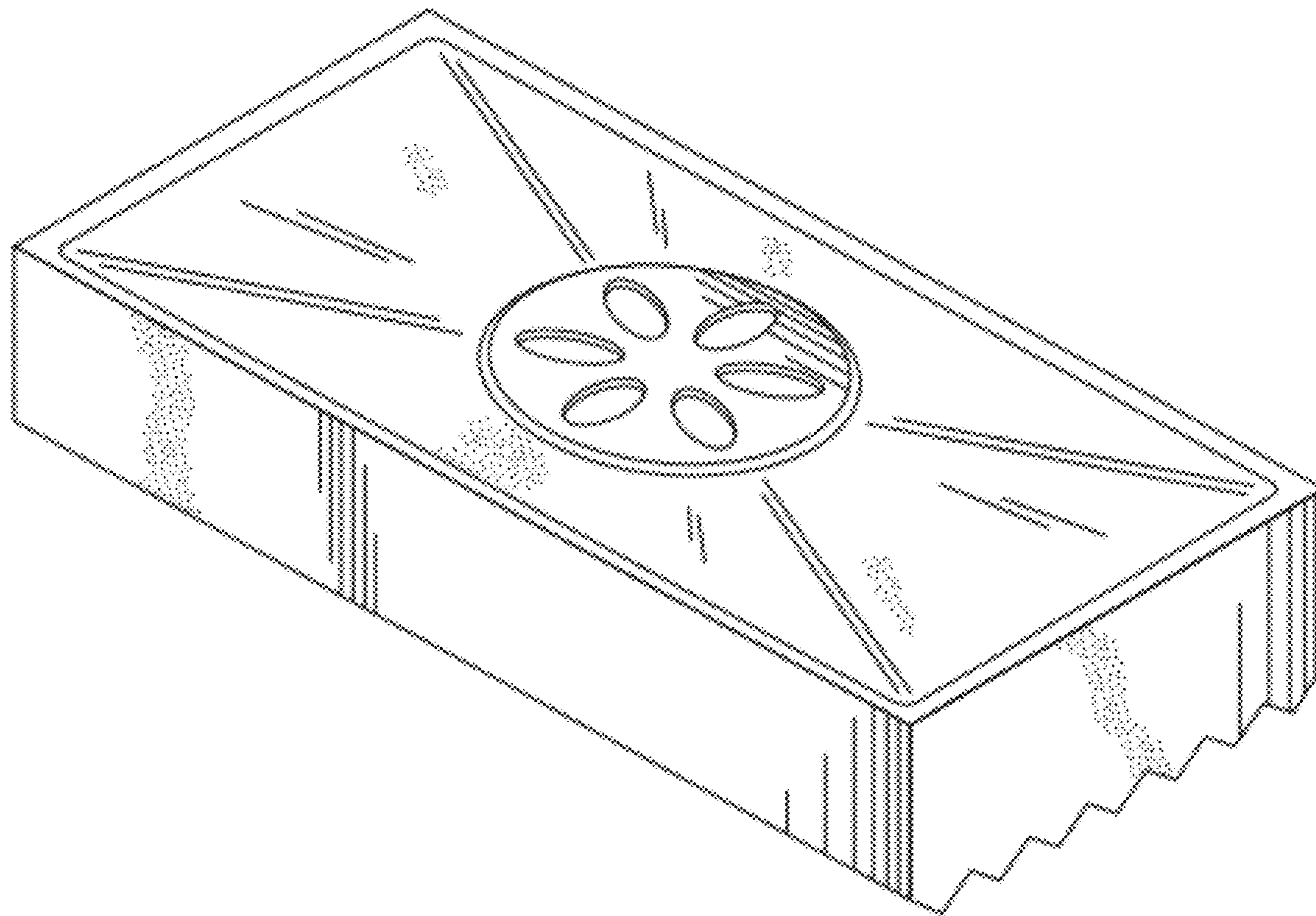
(57) **CLAIM**

The ornamental design for a ceramic soap dish, as shown and described.

DESCRIPTION

FIG. 1 is a top perspective view of a ceramic soap dish of the invention;
FIG. 2 is a bottom perspective view thereof;
FIG. 3 is a top plan view thereof;
FIG. 4 is a bottom plan view thereof;
FIG. 5 is a front view thereof, with the back view being a mirror image of the front view; and,
FIG. 6 is a left side view thereof, with the right side view being a mirror image thereof.

1 Claim, 3 Drawing Sheets



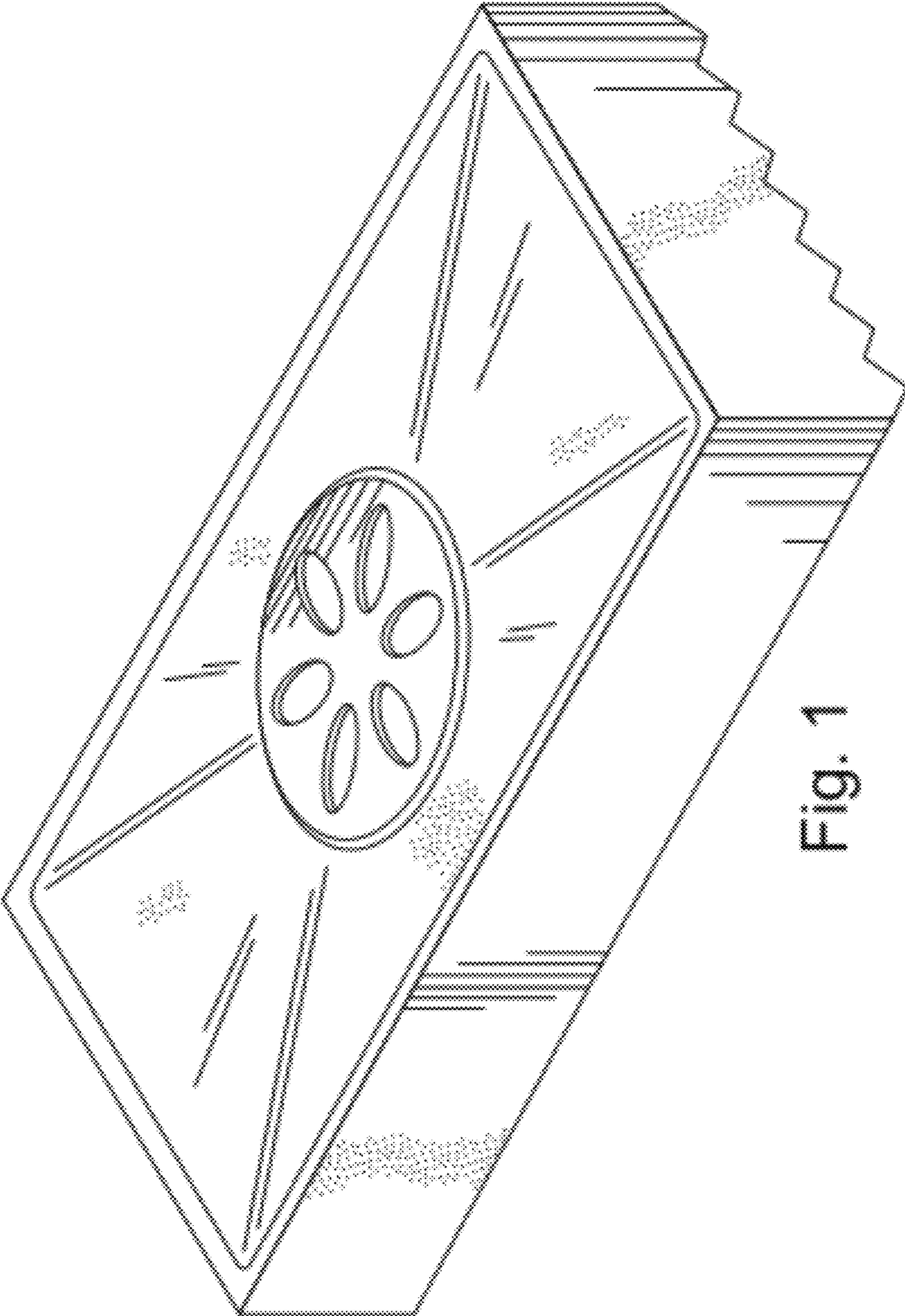


Fig. 1

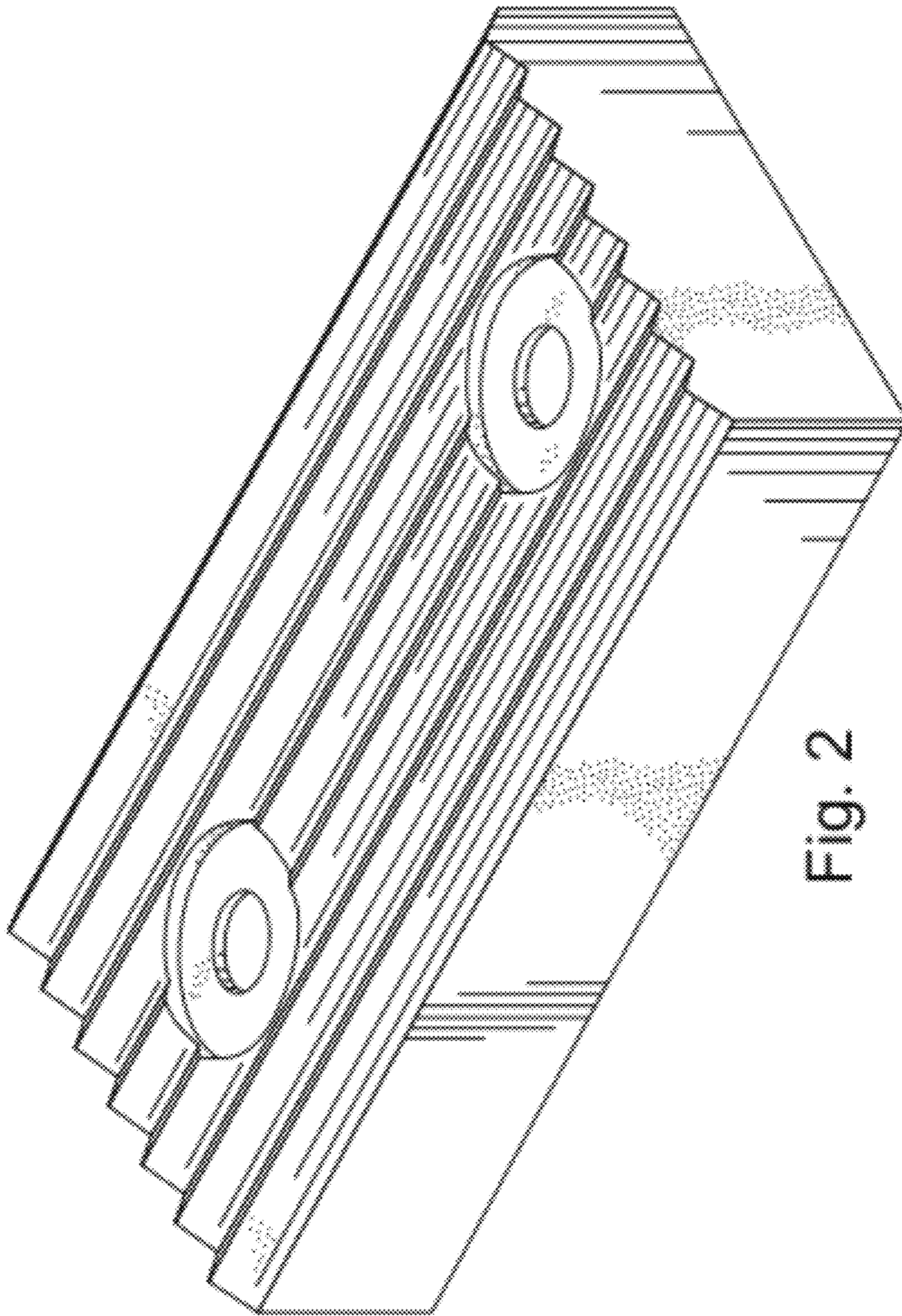


Fig. 2

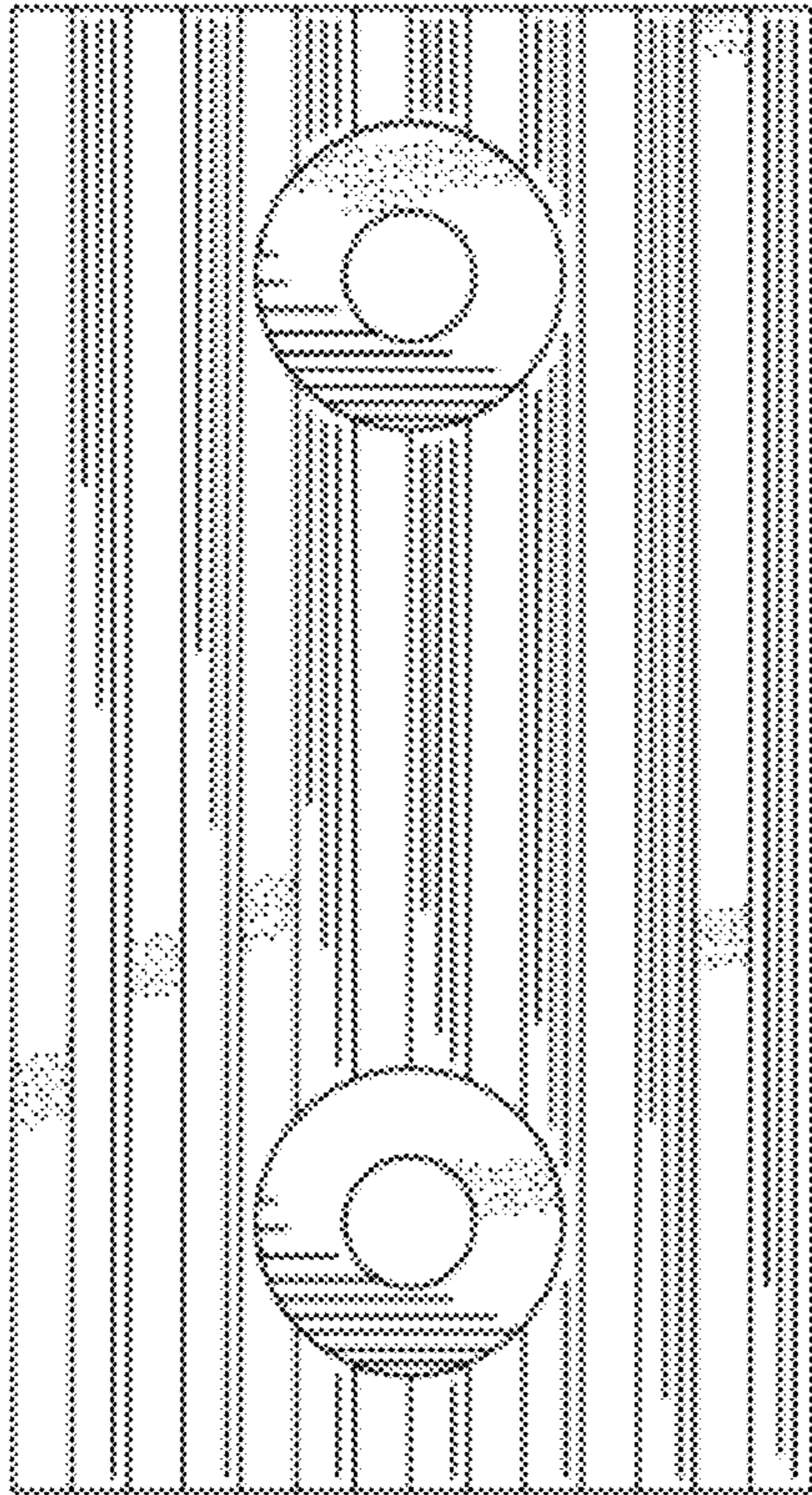


Fig. 4

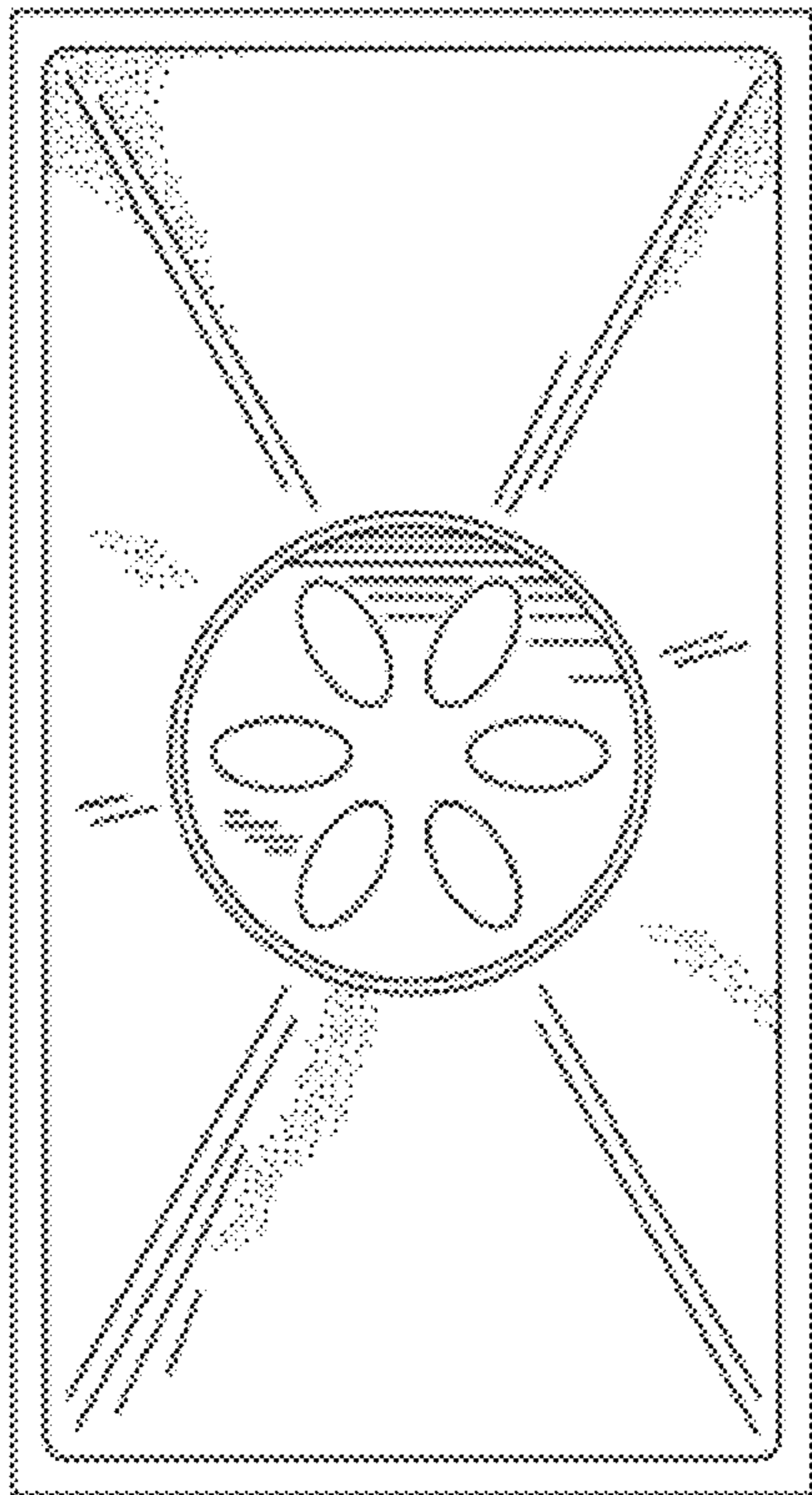


Fig. 3

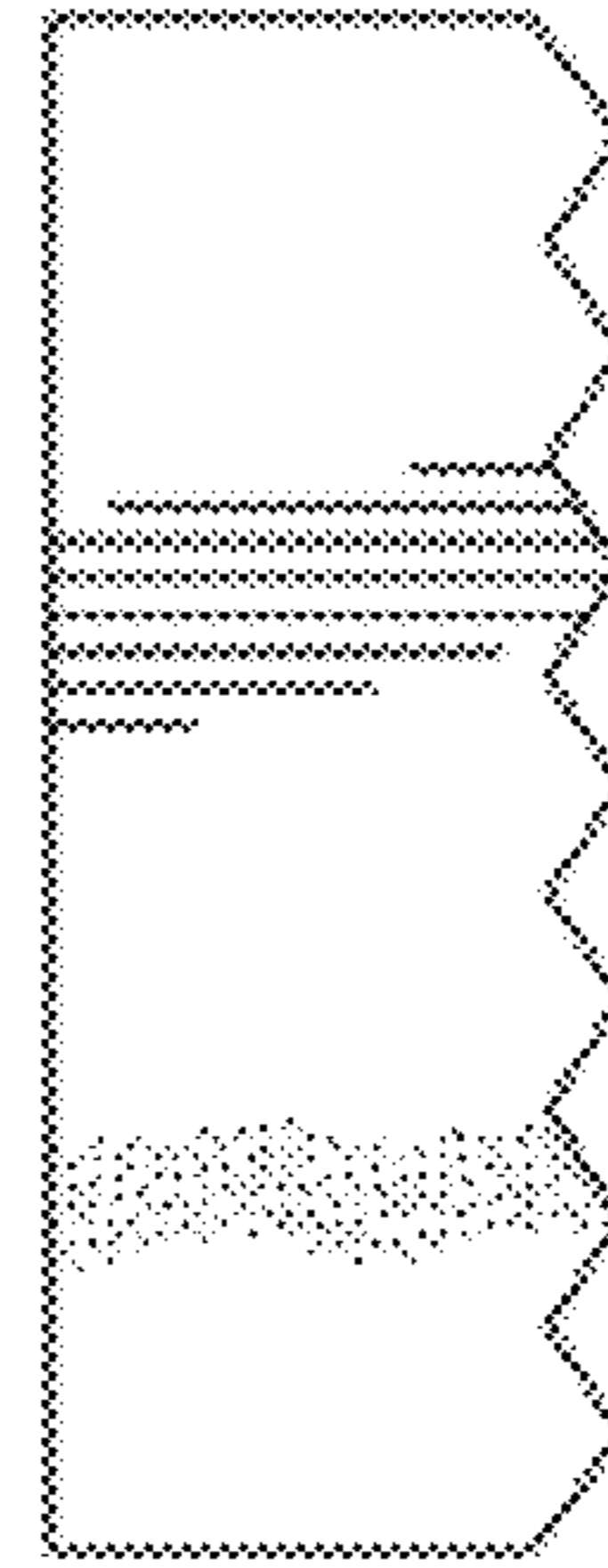


Fig. 6

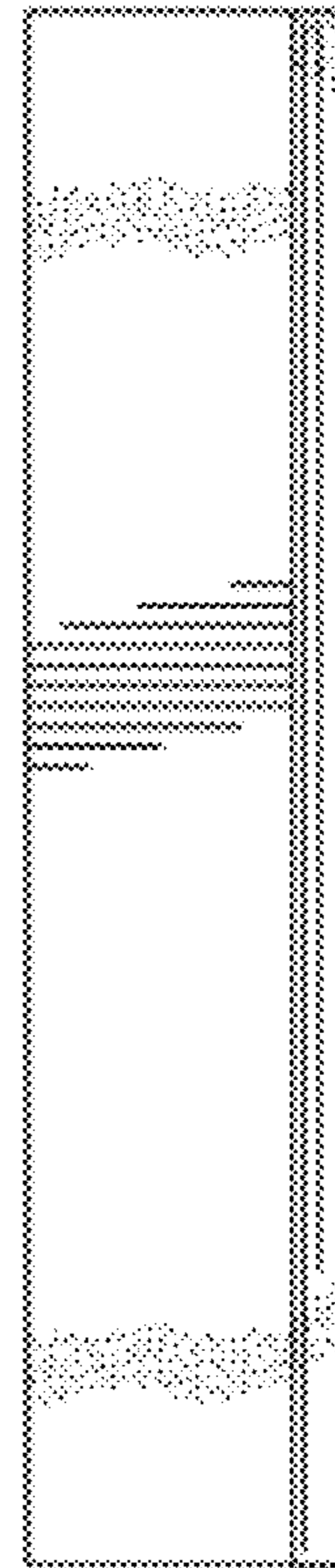


Fig. 5