



US00D669716S

(12) **United States Design Patent**
Razavi et al.

(10) **Patent No.:** **US D669,716 S**
(45) **Date of Patent:** **** Oct. 30, 2012**

(54) **WIPES DISPENSER**

(76) Inventors: **Ramin Razavi**, Laguna Niguel, CA
(US); **Jan B. Zwierstra**, San Pedro, CA
(US); **Trevor Dunlop**, Long Beach, CA
(US)

(**) Term: **14 Years**

(21) Appl. No.: **29/413,028**

(22) Filed: **Feb. 9, 2012**

Related U.S. Application Data

(63) Continuation of application No. 29/391,209, filed on
May 4, 2011, now Pat. No. Des. 655,116.

(51) **LOC (9) Cl.** **20-02**

(52) **U.S. Cl.** **D6/518; D6/523**

(58) **Field of Classification Search** D6/515,
D6/518-523; D3/201; 206/389, 391, 407,
206/409; 312/34.1, 34.8; 211/16, 85.5, 59.2;
221/92, 97, 185, 282, 284; 242/159, 160.2,
242/550, 560, 590, 594, 59, 588, 598, 598.3,
242/598.65

See application file for complete search history.

(56) **References Cited**

U.S. PATENT DOCUMENTS

3,837,595	A	*	9/1974	Boone	242/595
D259,682	S	*	6/1981	Standing	D6/523
4,834,316	A	*	5/1989	DeLorean	242/594
D417,351	S	*	12/1999	Scavuzzo	D6/515
D480,901	S	*	10/2003	Millington	D6/518
D481,893	S	*	11/2003	Walther et al.	D6/518

* cited by examiner

Primary Examiner — Brian N Vinson

(74) *Attorney, Agent, or Firm* — Greenberg Traurig, LLP;
Franklin D. Ubell

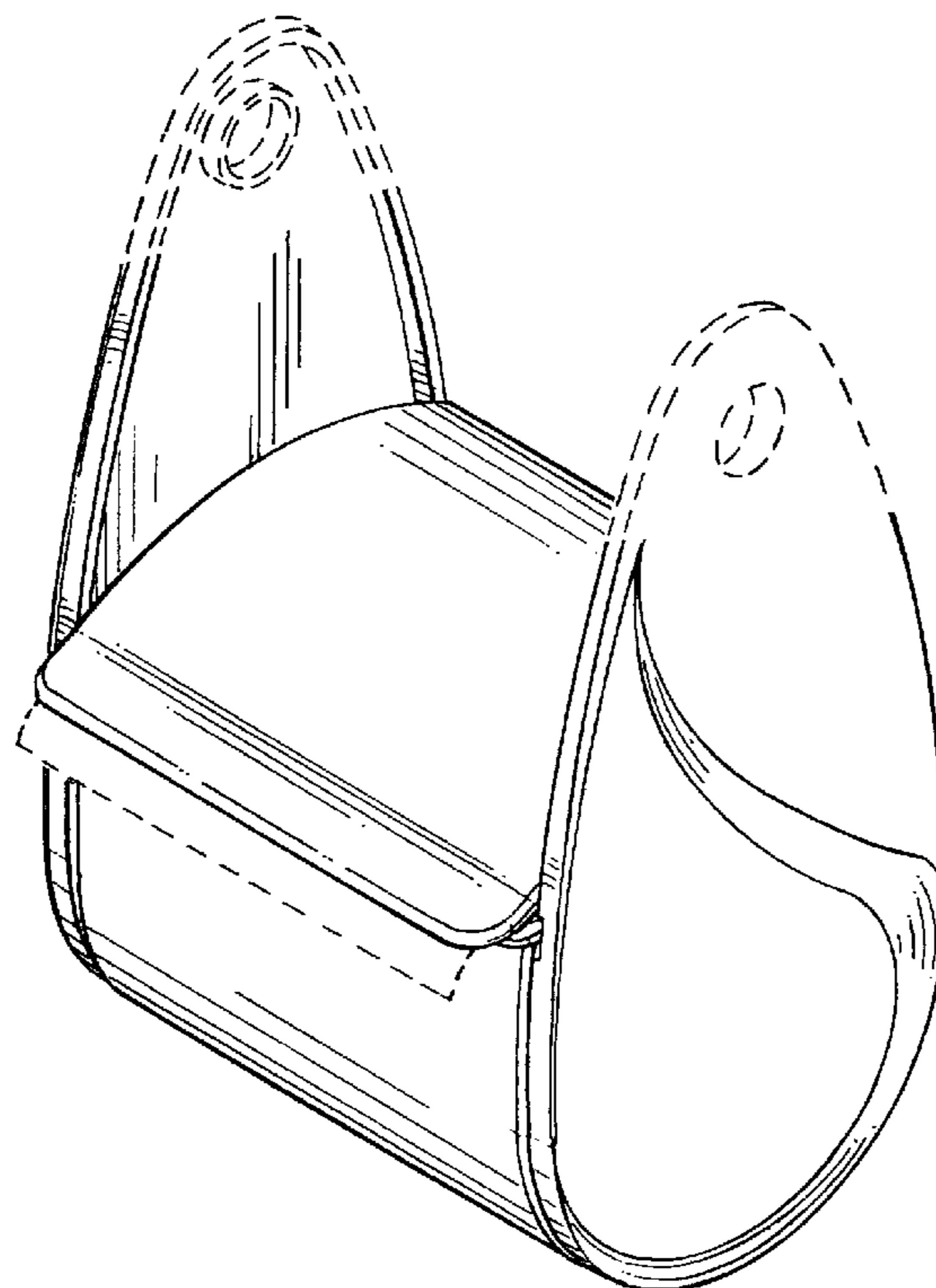
(57) **CLAIM**

The ornamental design for a wipes dispenser, as shown and
described.

DESCRIPTION

FIG. 1 is a front perspective of the wipes dispenser;
FIG. 2 is a side view of a first side of the dispenser;
FIG. 3 is a front view of the dispenser;
FIG. 4 is a side view of the second side of the dispenser;
FIG. 5 is a back view of the dispenser;
FIG. 6 is a top view of the dispenser; and,
FIG. 7 is a bottom view of the dispenser.
The broken-line disclosure is understood to represent por-
tions of the article in which the claimed design is embodied,
but which forms no part of the claimed design, as well as for
illustrating environmental subject matter, also not part of the
claimed design.

1 Claim, 4 Drawing Sheets



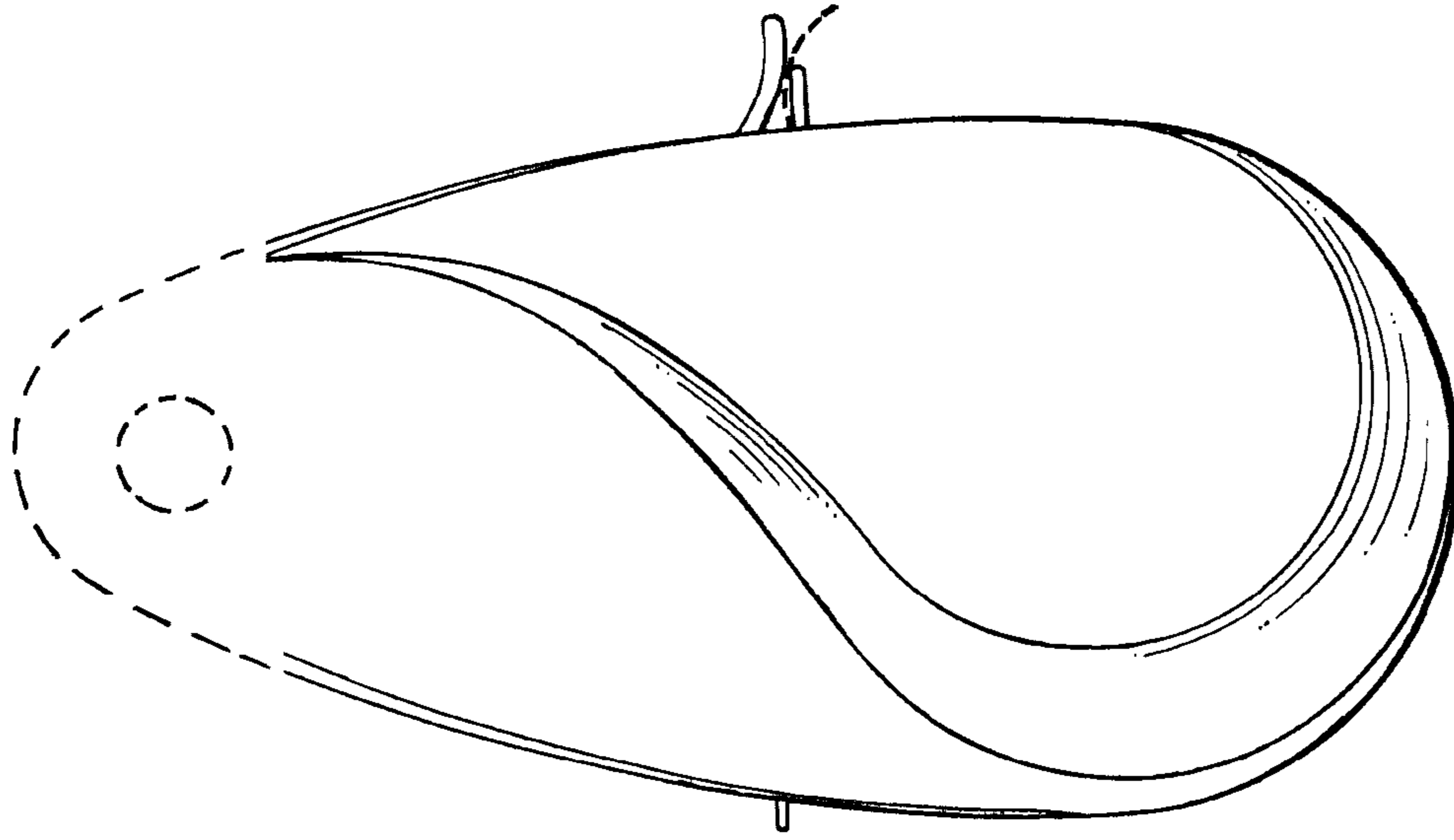


FIG. 2

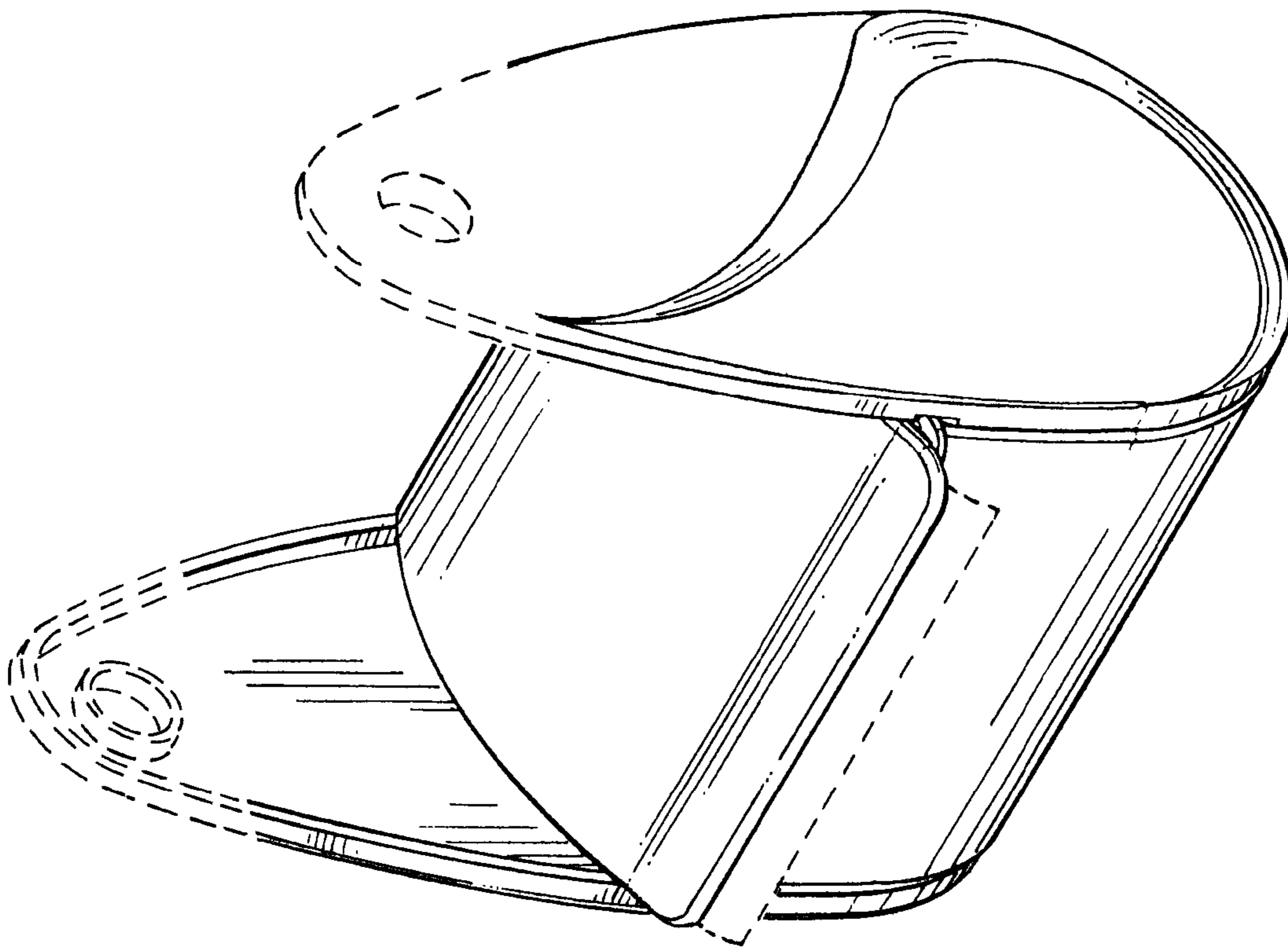


FIG. 1

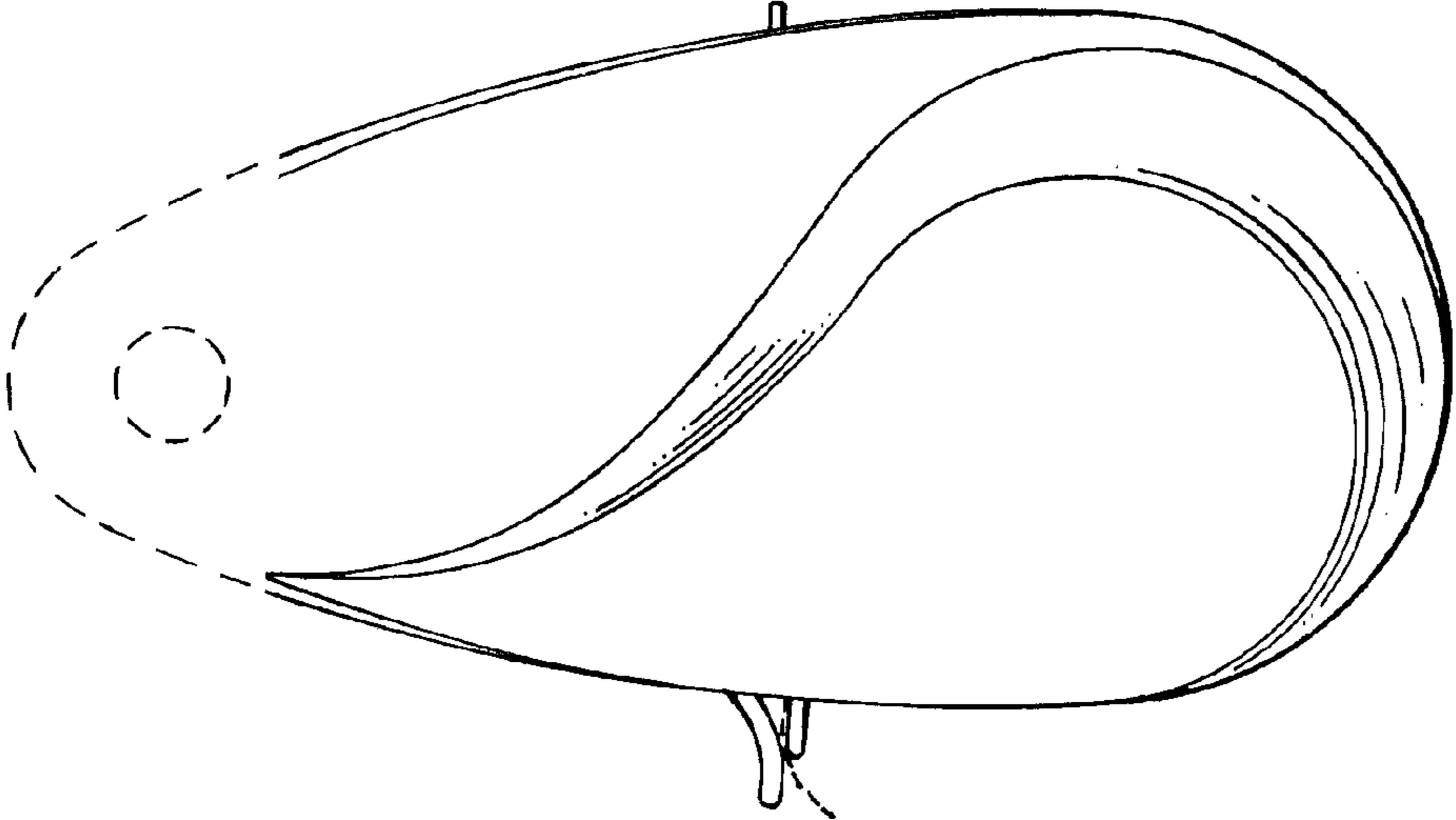


FIG. 4

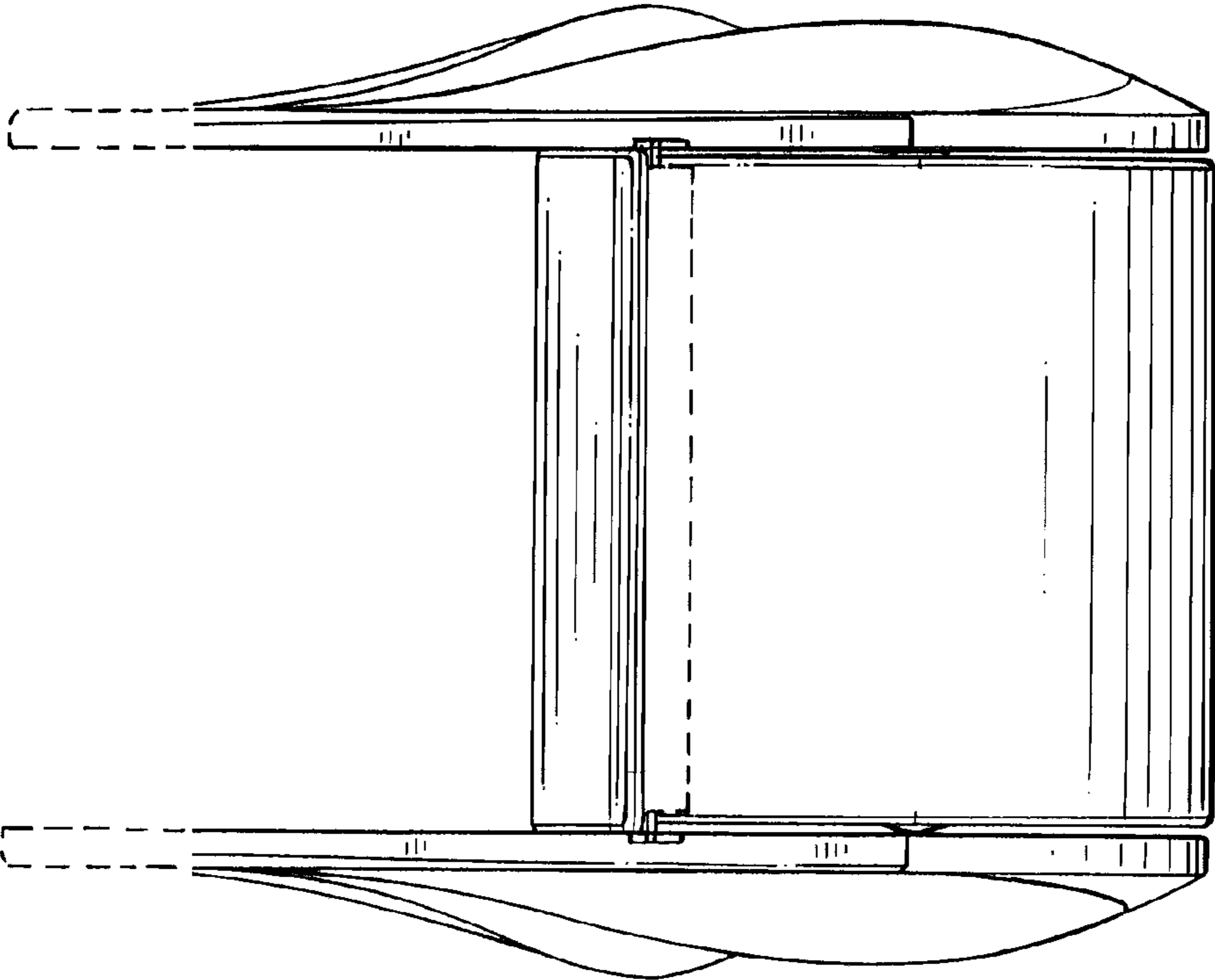


FIG. 3

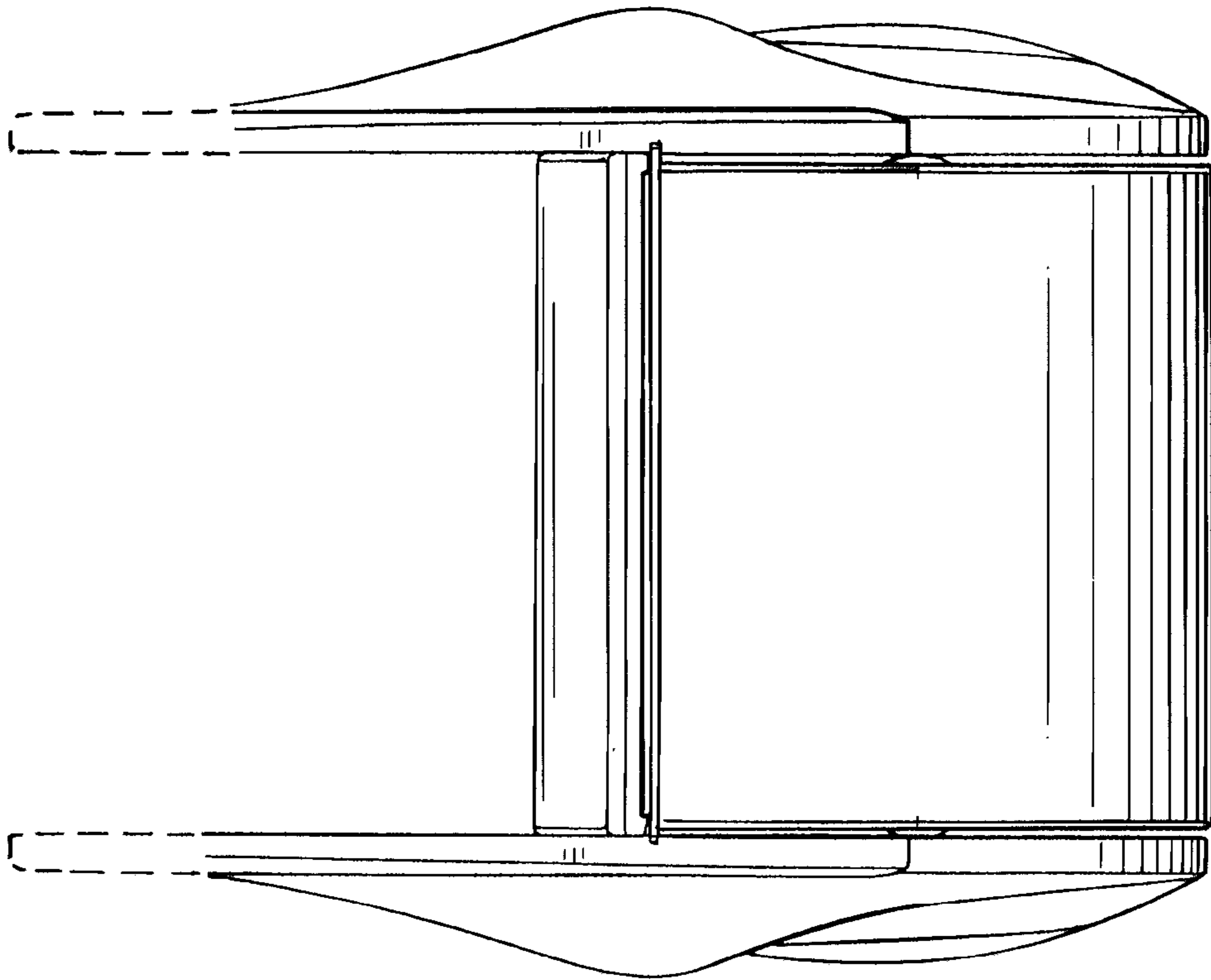


FIG. 5

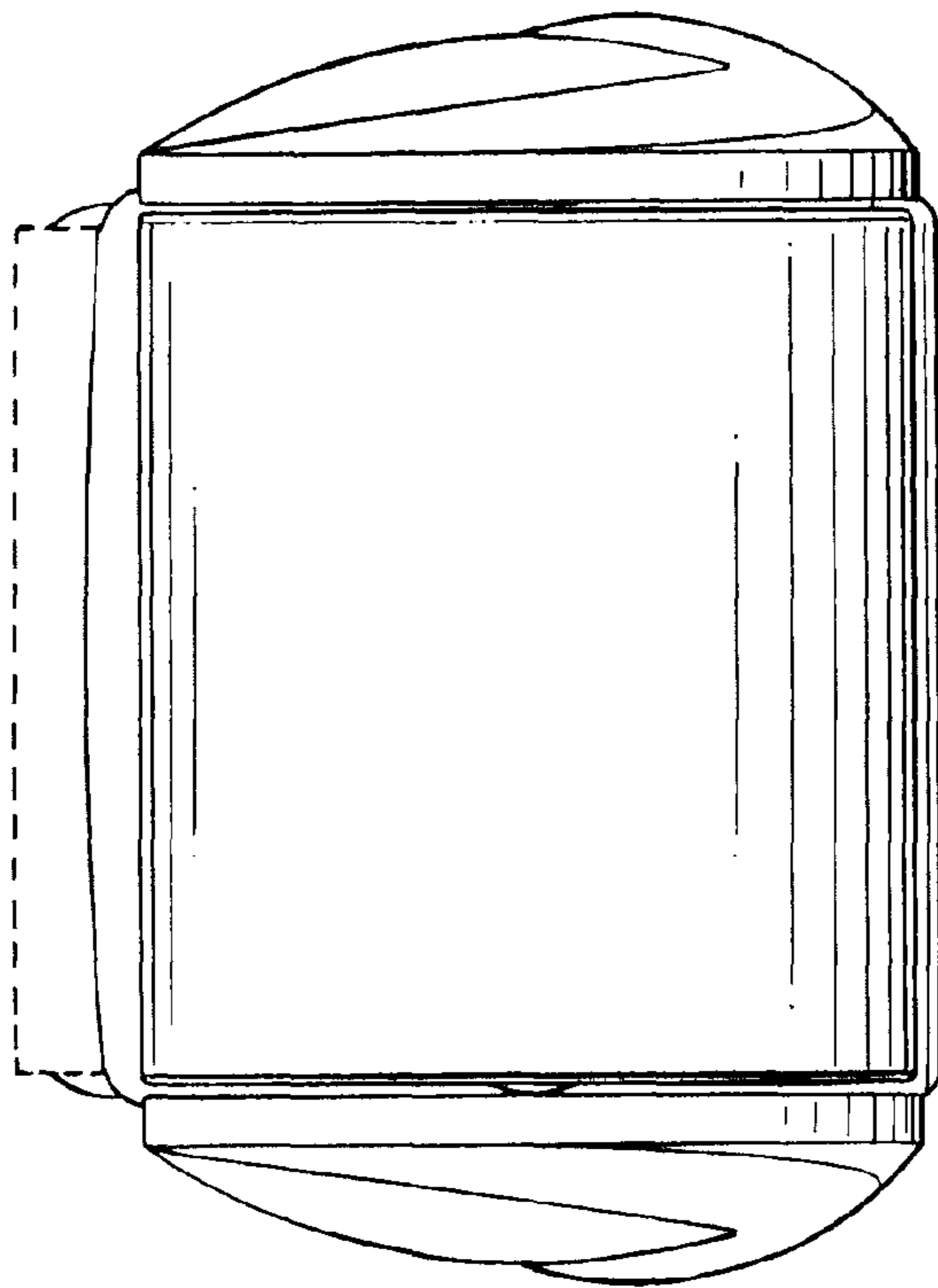


FIG. 7

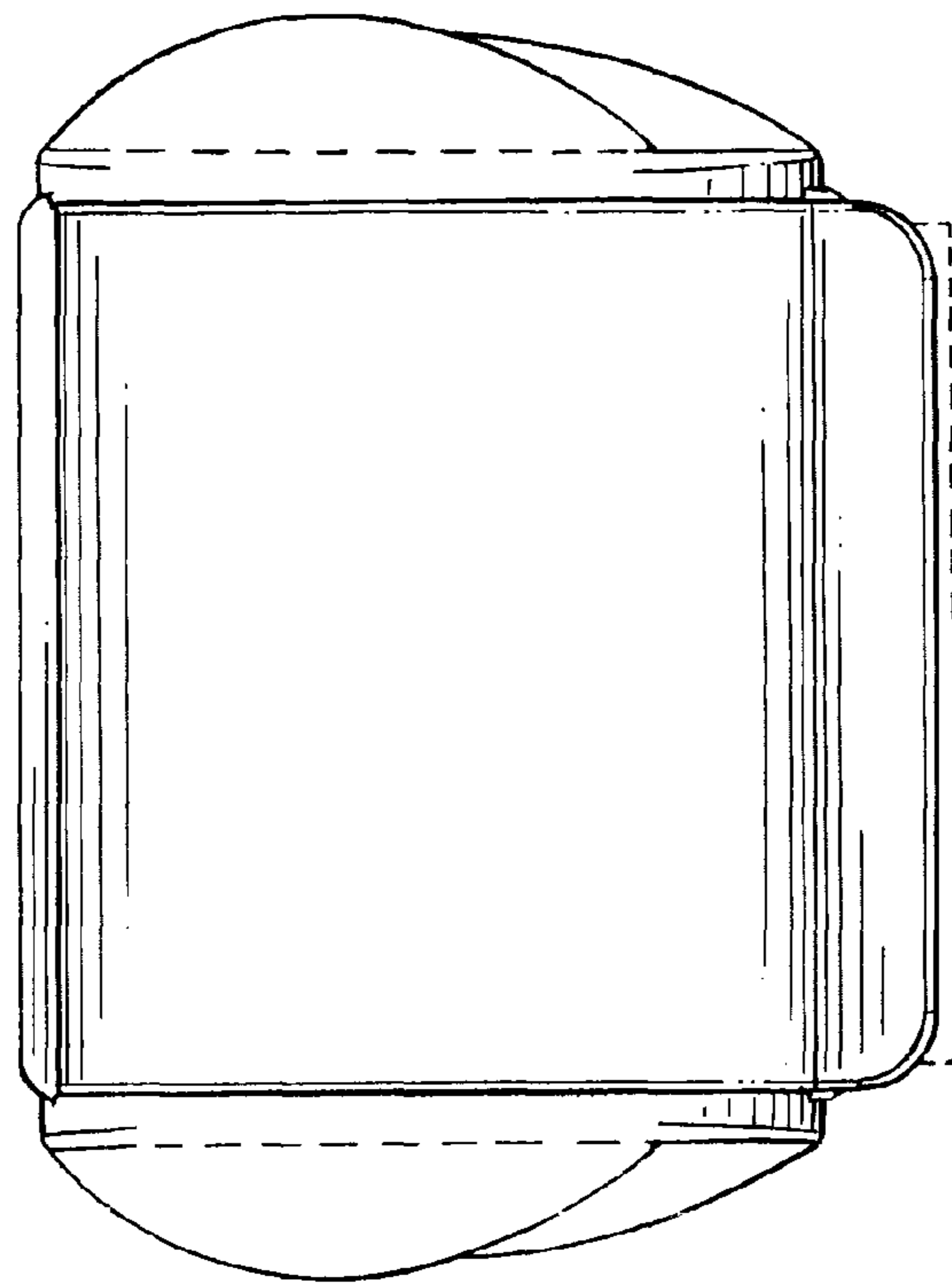


FIG. 6