



US00D669715S

(12) **United States Design Patent**
Silagy

(10) **Patent No.:** **US D669,715 S**

(45) **Date of Patent:** **** Oct. 30, 2012**

(54) **PET TRAINING PAD DISPENSER**

(76) Inventor: **Jeff Silagy**, Merrick, NY (US)

(**) Term: **14 Years**

(21) Appl. No.: **29/410,058**

(22) Filed: **Jan. 4, 2012**

(51) **LOC (9) Cl.** **06-04**

(52) **U.S. Cl.** **D6/518**

(58) **Field of Classification Search** D6/542-545,
D6/553, 567, 574, 515-525, 549; 206/77.1;
211/13.1, 86.01, 87.01; 221/14, 92, 649,
221/146.1, 146.2, 105; 222/281-282; D23/225;
D8/349, 354, 363, 373, 394; D24/155; D7/631
See application file for complete search history.

(56) **References Cited**

U.S. PATENT DOCUMENTS

D244,653	S	*	6/1977	Tegner	D6/518
D296,064	S	*	6/1988	Omdoll et al.	D7/631
D332,193	S	*	1/1993	Petterson et al.	D6/518
D493,312	S	*	7/2004	Collins et al.	D6/518
D498,955	S	*	11/2004	Edwards	D6/515
D520,277	S	*	5/2006	Smiley et al.	D6/518

D521,782	S	*	5/2006	Edwards	D6/518
D523,267	S	*	6/2006	Mays-Hobbs	D6/518
D524,084	S	*	7/2006	Wieser et al.	D6/518

* cited by examiner

Primary Examiner — Brian N Vinson

(74) *Attorney, Agent, or Firm* — Carter, DeLuca, Farrell & Schmidt, LLP

(57) **CLAIM**

The ornamental design for the pet training pad dispenser, as shown and described.

DESCRIPTION

FIG. 1 is a front perspective view of the pet training pad dispenser;

FIG. 2 is a top plan view of the pet training pad dispenser;

FIG. 3 is a front plan view of the pet training pad dispenser;

FIG. 4 is a rear plan view of the pet training pad dispenser;

FIG. 5 is a bottom plan view of the pet training pad dispenser;

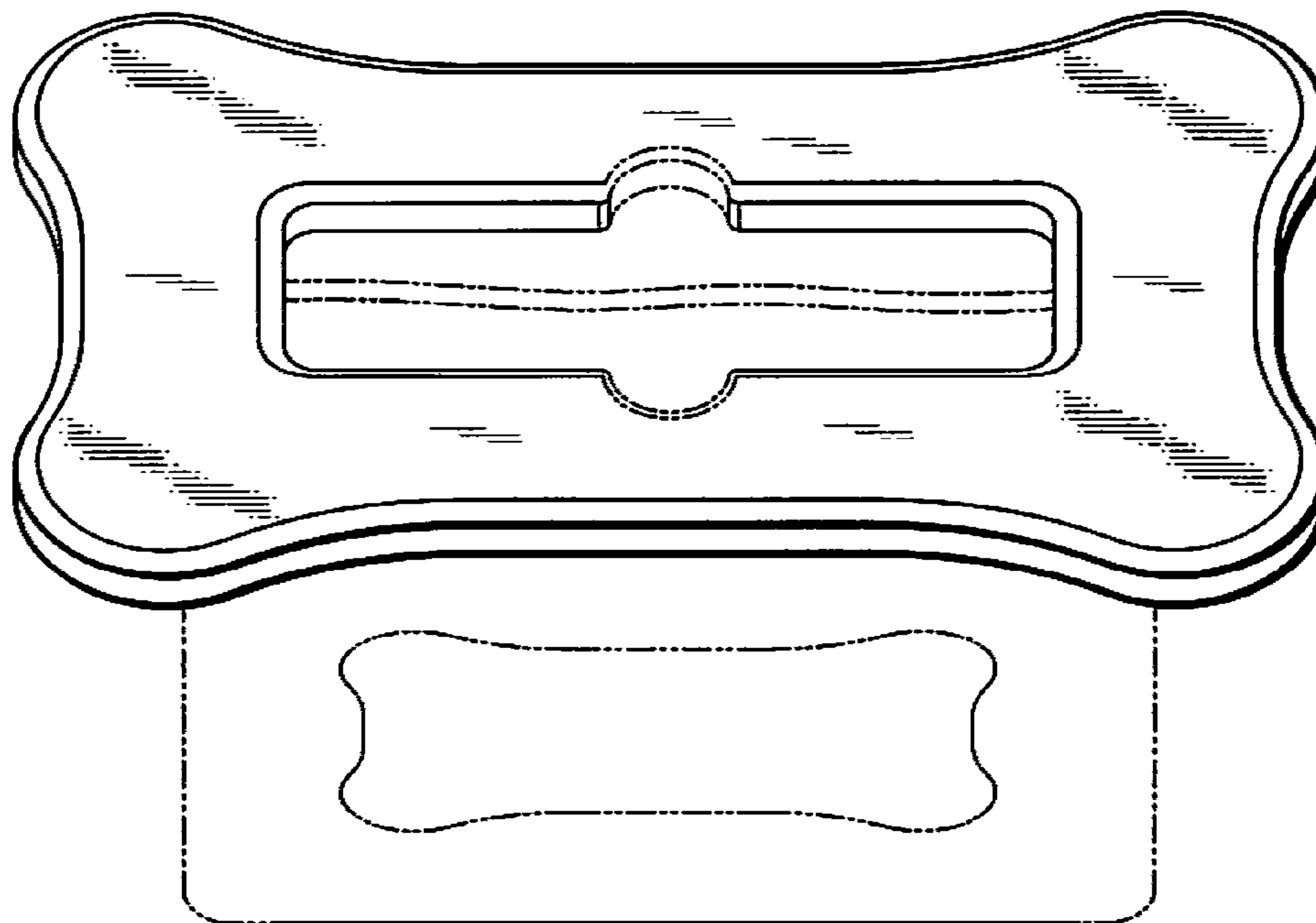
and,

FIG. 6 is a left side plan view of the pet training pad dispenser.

The right side plan view is identical to the left side plan view and is omitted.

The broken lines showing is for the purposes of illustrative environment and form no part of the claimed design.

1 Claim, 6 Drawing Sheets



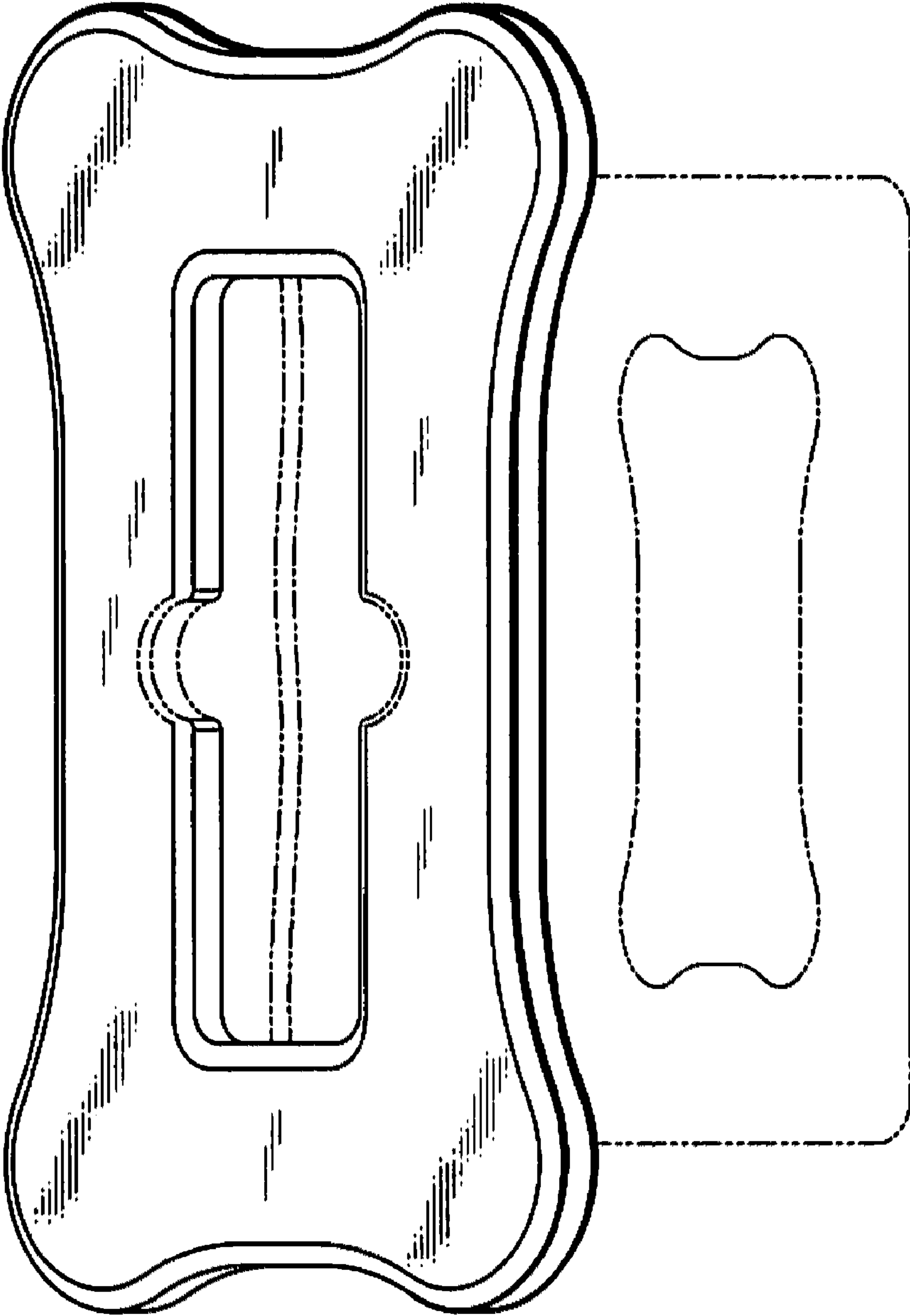


FIG. 1

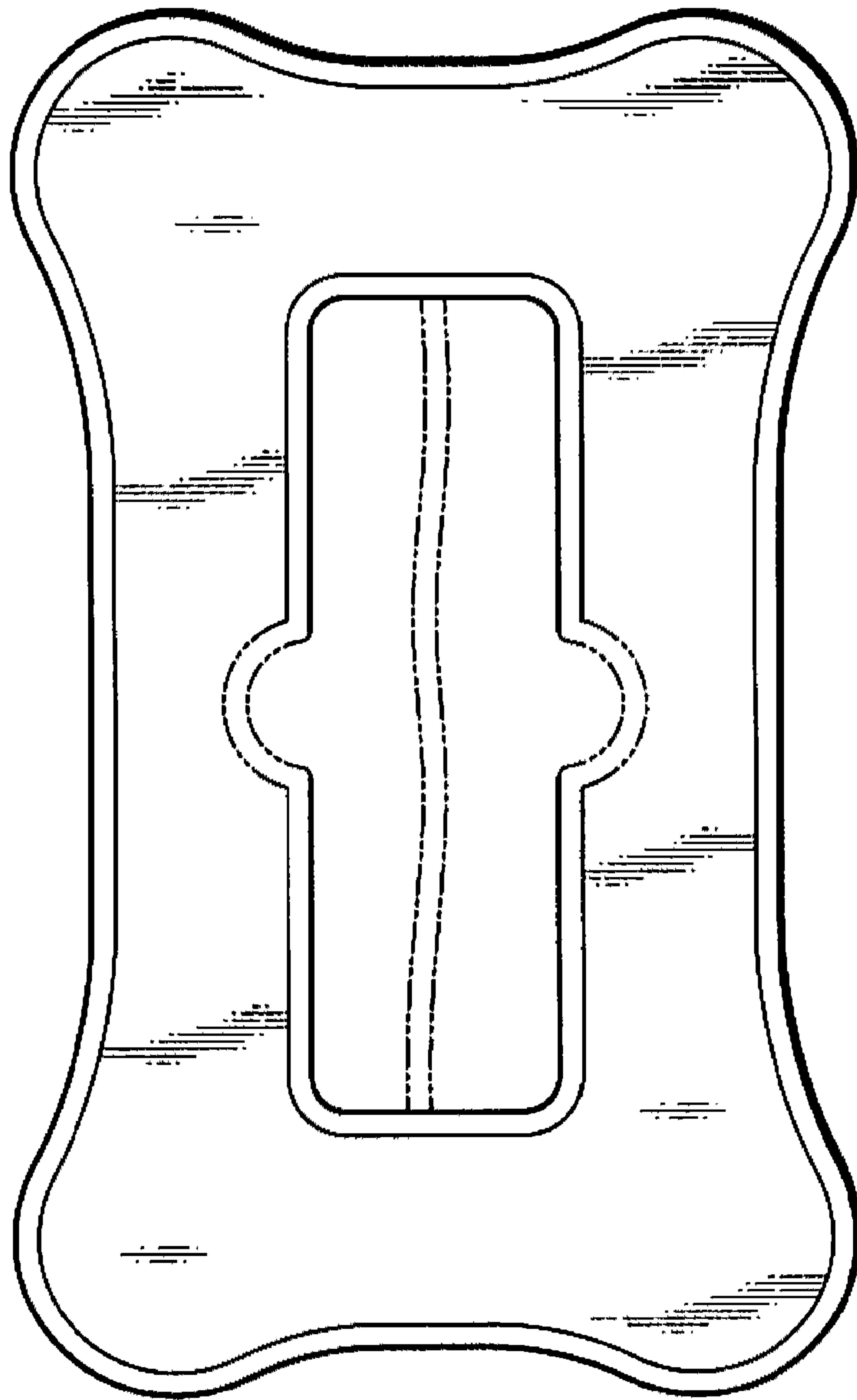


FIG. 2

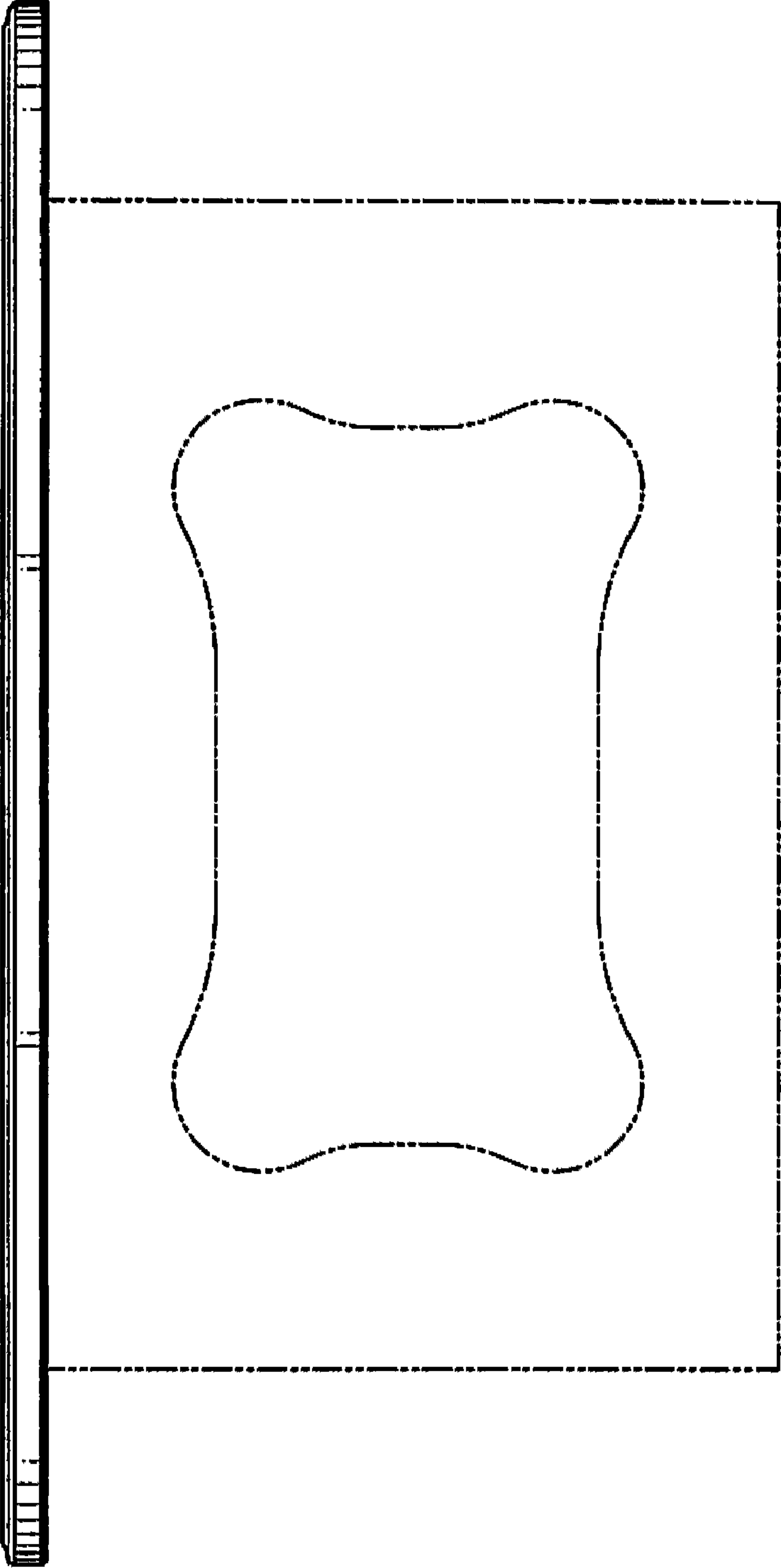


FIG. 3

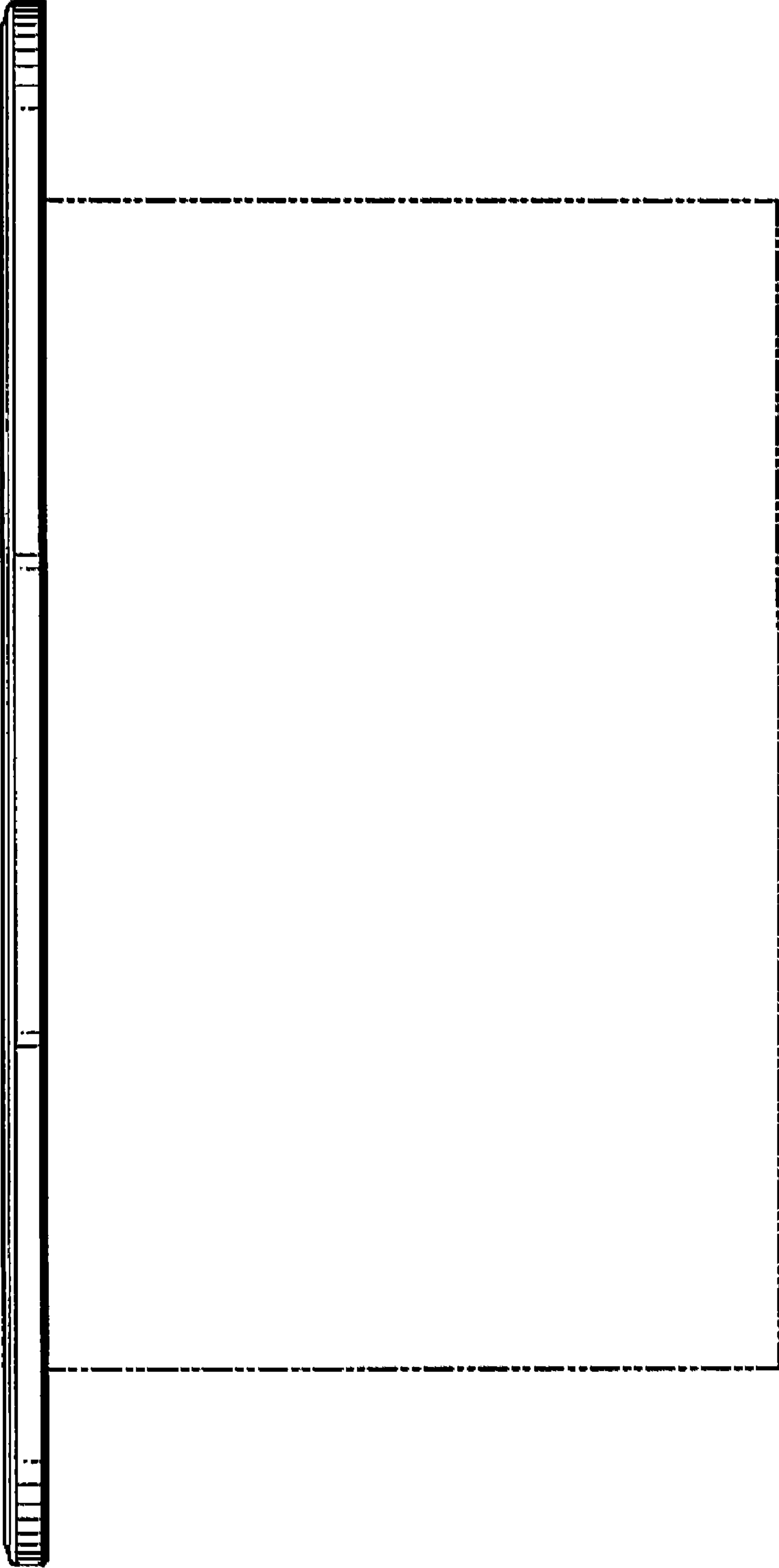


FIG. 4

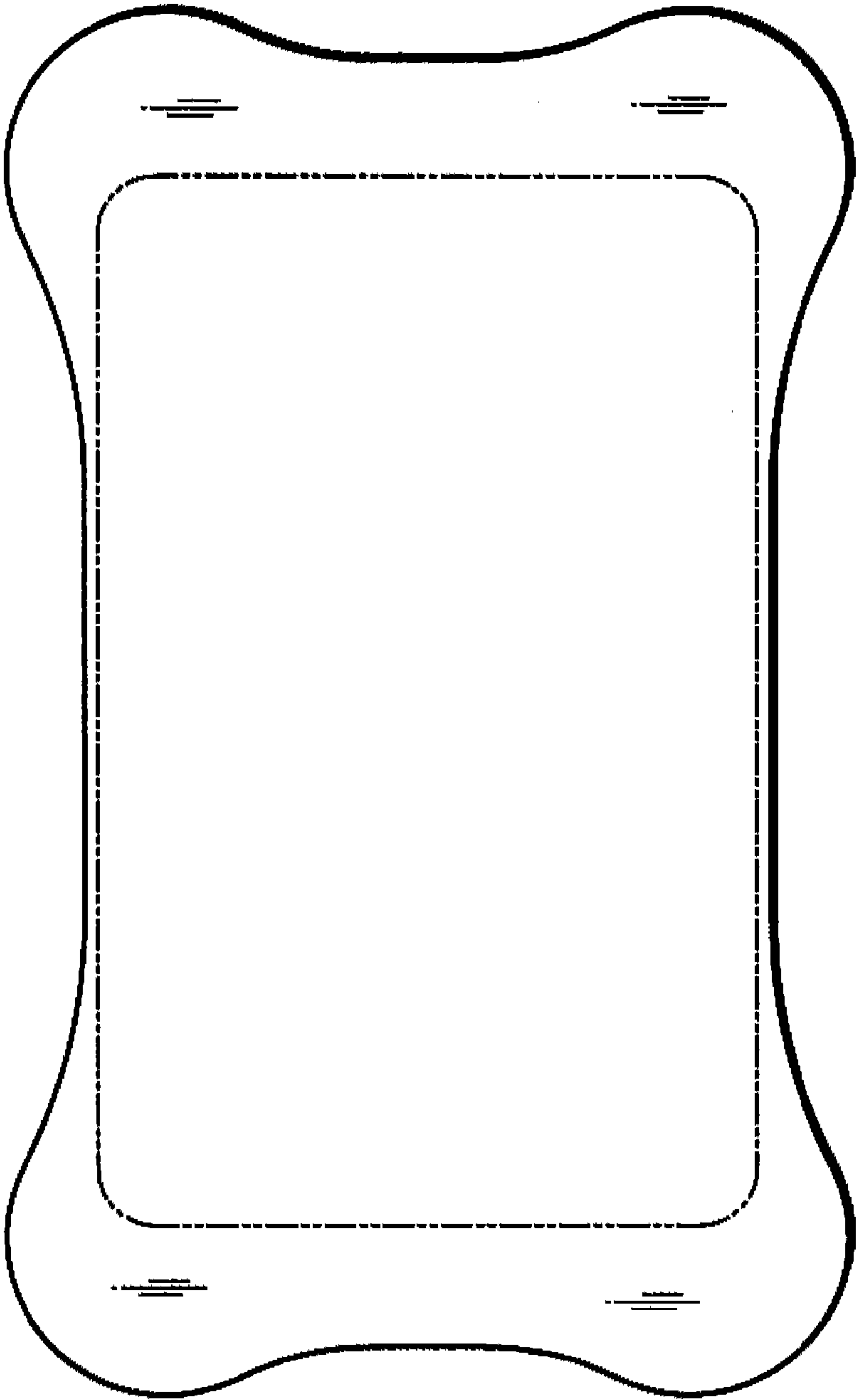


FIG. 5

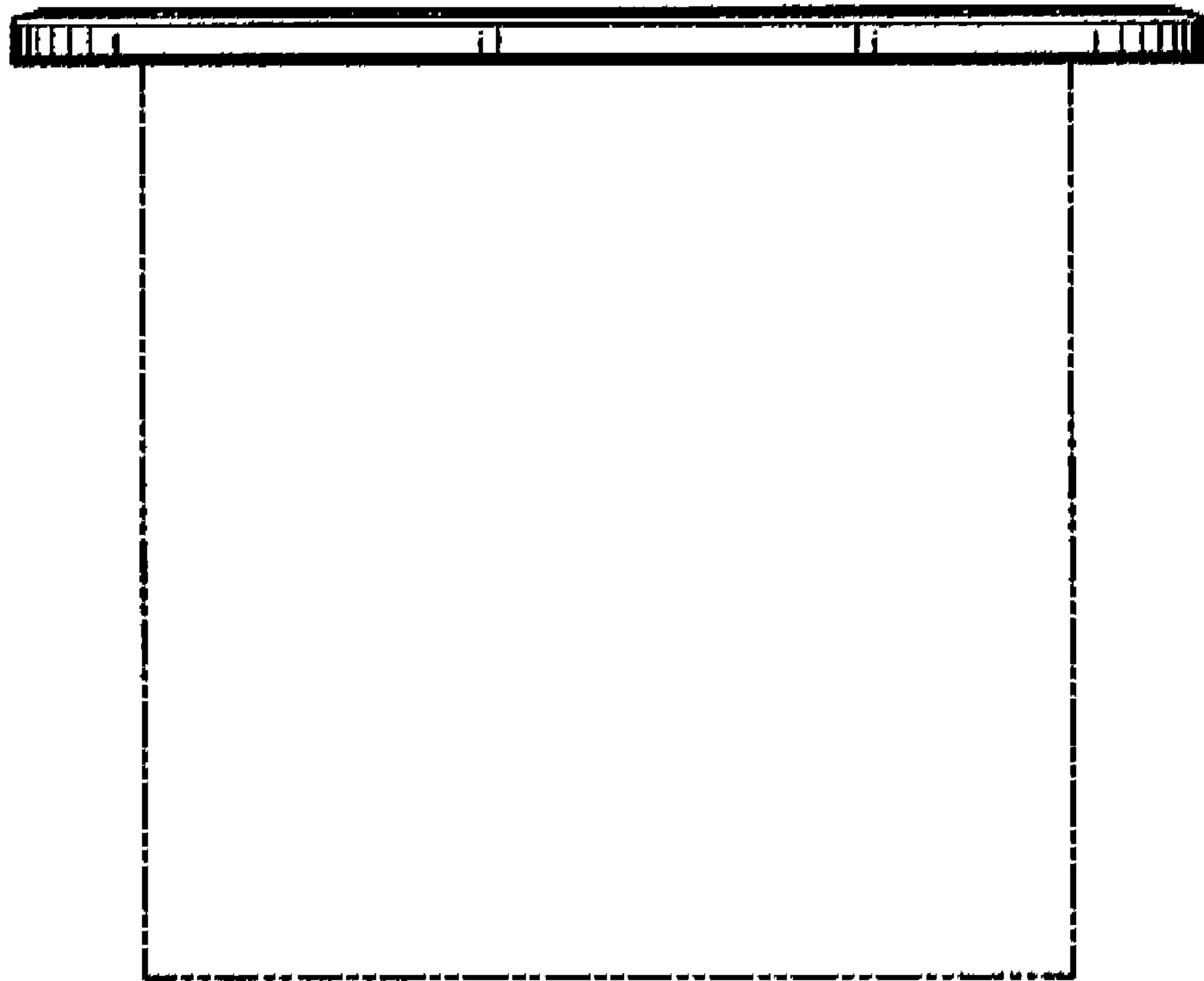


FIG. 6