



US00D669714S

(12) **United States Design Patent**
Legreca et al.

(10) **Patent No.:** **US D669,714 S**
(45) **Date of Patent:** **** Oct. 30, 2012**

(54) **WOOD TISSUE COVER**

(75) Inventors: **Carl Legreca**, Cliffside Park, NJ (US);
Lydia Irwin, New York, NY (US)

(73) Assignee: **Croskill Home LLC**, New York, NY
(US)

(**) Term: **14 Years**

(21) Appl. No.: **29/408,191**

(22) Filed: **Dec. 8, 2011**

(51) **LOC (9) Cl.** **20-02**

(52) **U.S. Cl.** **D6/518**

(58) **Field of Classification Search** D6/518-523;
206/389, 390, 395; 221/282-283; 312/34.8;
242/570, 560, 590, 597.7, 598; D9/516,
D9/549, 423; D3/294, 318
See application file for complete search history.

(56) **References Cited**

U.S. PATENT DOCUMENTS

D371,708 S * 7/1996 Haley et al. D6/518
D390,391 S * 2/1998 Hsu D6/518

D466,733 S * 12/2002 Ong D6/518
D468,568 S * 1/2003 Ong D6/518
D611,744 S * 3/2010 Mayer D6/518
D631,268 S * 1/2011 Yang et al. D6/518

* cited by examiner

Primary Examiner — Brian N Vinson

(74) *Attorney, Agent, or Firm* — Buchanan Ingersoll &
Rooney PC

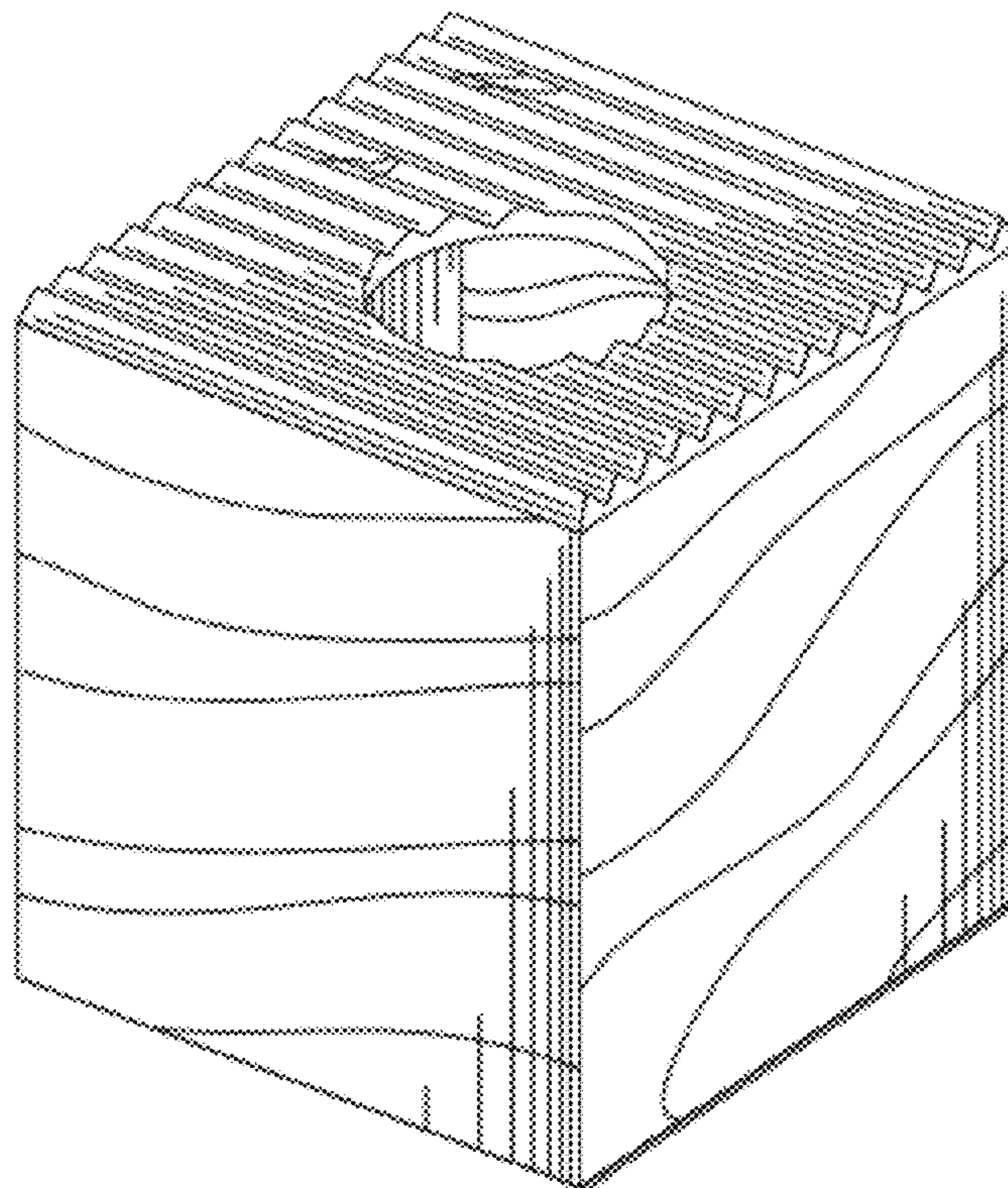
(57) **CLAIM**

The ornamental design for a wood tissue cover, as shown and described.

DESCRIPTION

FIG. 1 shows a top perspective view of a wood tissue cover of the invention;
FIG. 2 shows a top view thereof;
FIG. 3 shows a bottom view thereof;
FIG. 4 shows a left side view thereof, with the right side view being a mirror image; and,
FIG. 5 shows a front view thereof, with rear view being a mirror image.

1 Claim, 3 Drawing Sheets



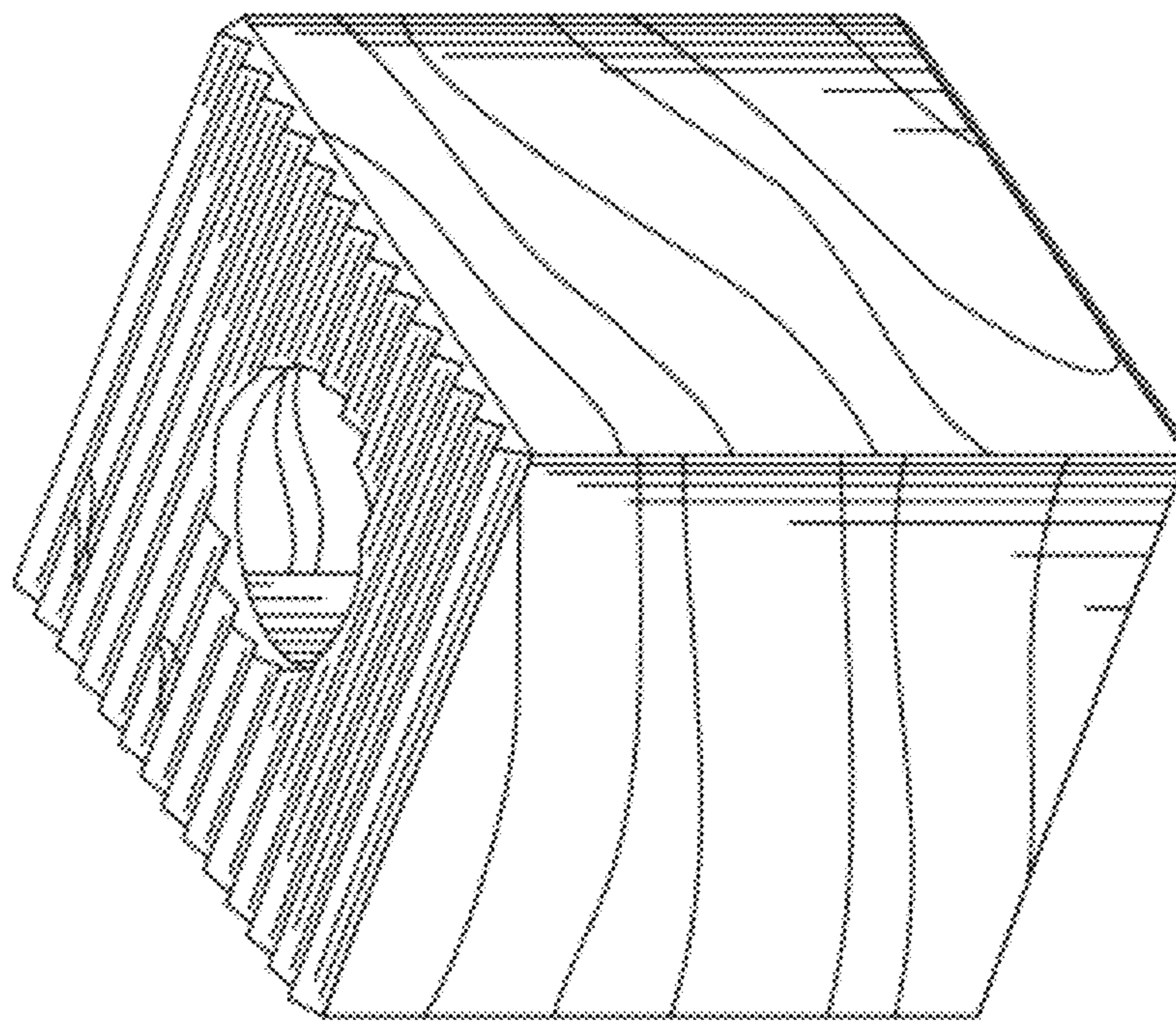


Fig. 1

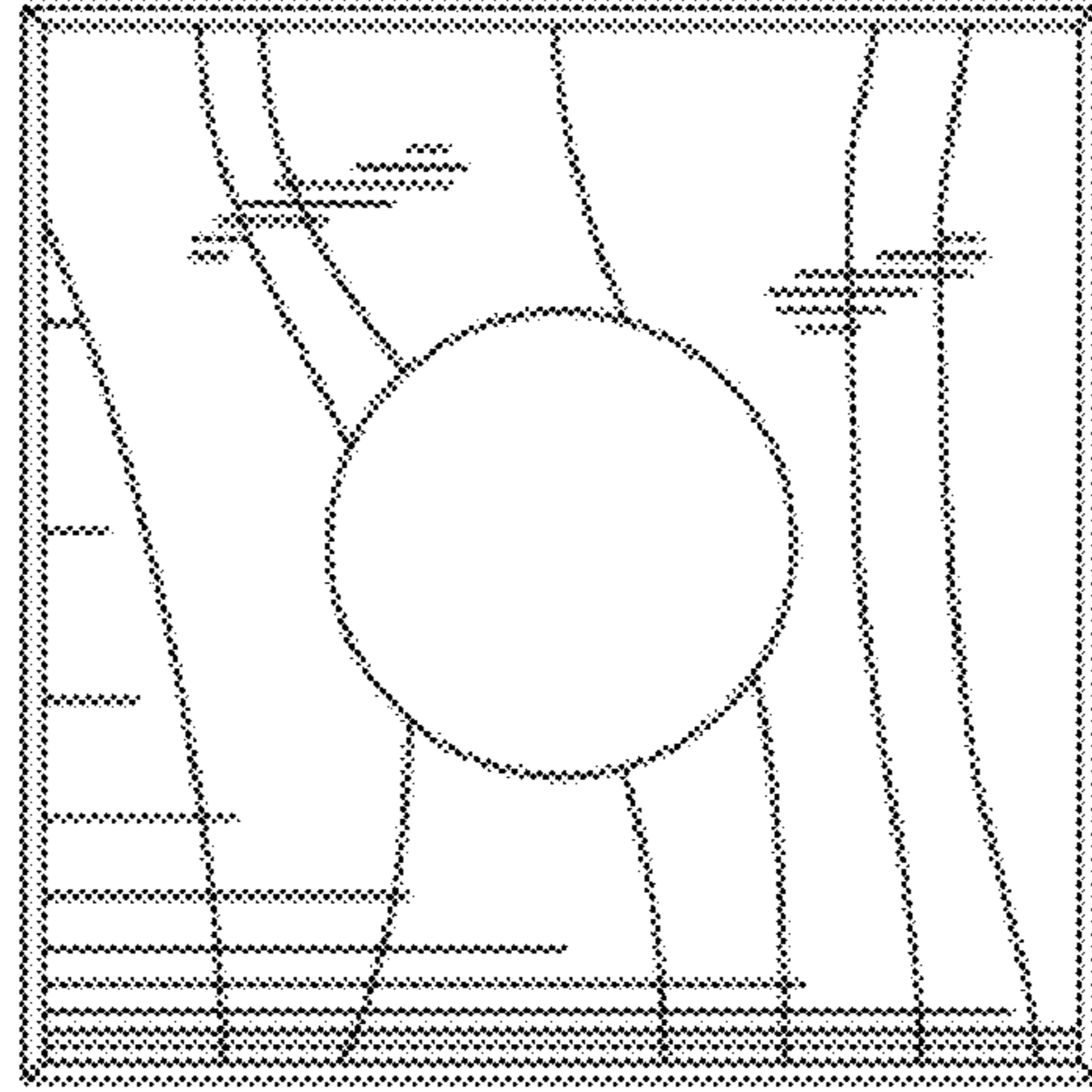


Fig. 3

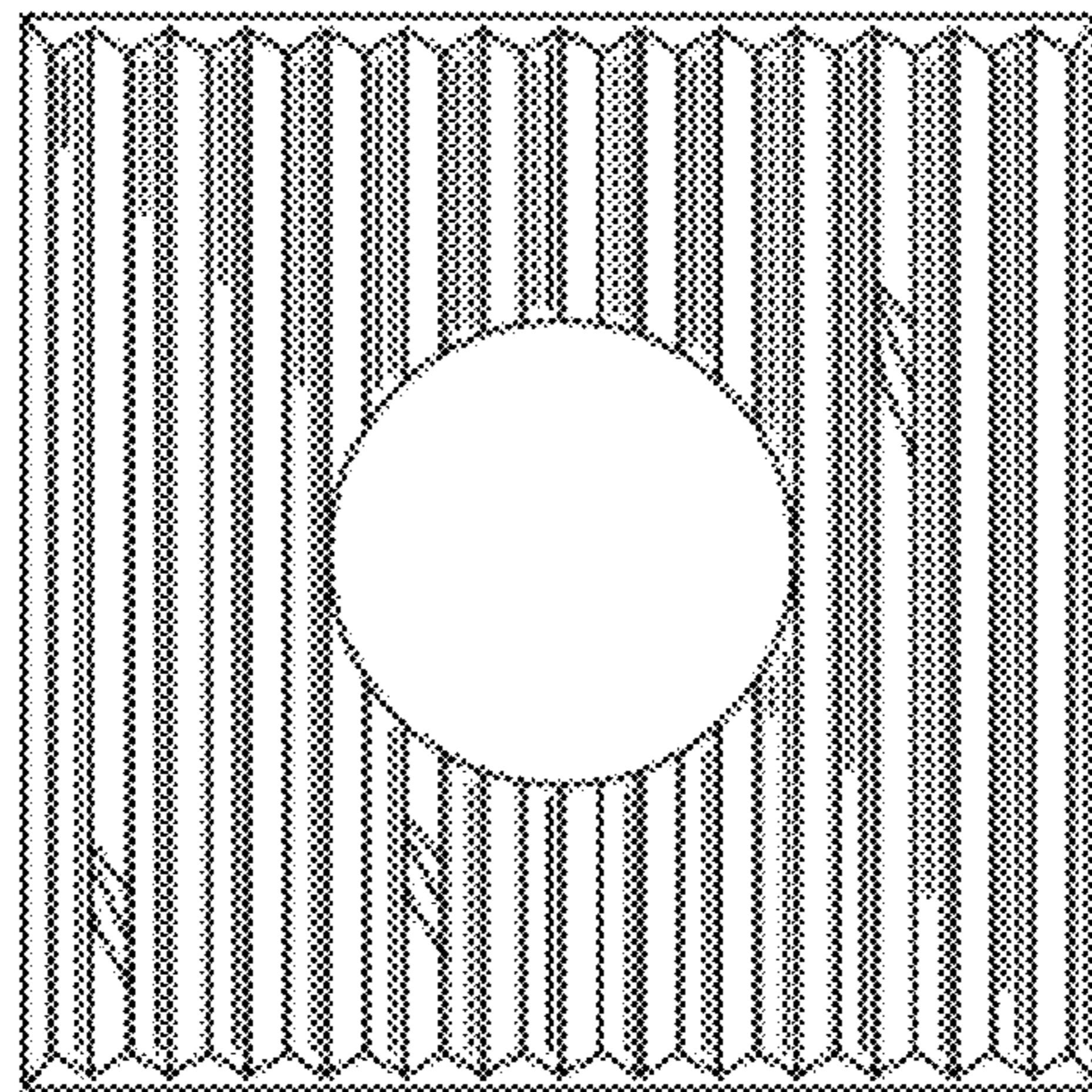


Fig. 2

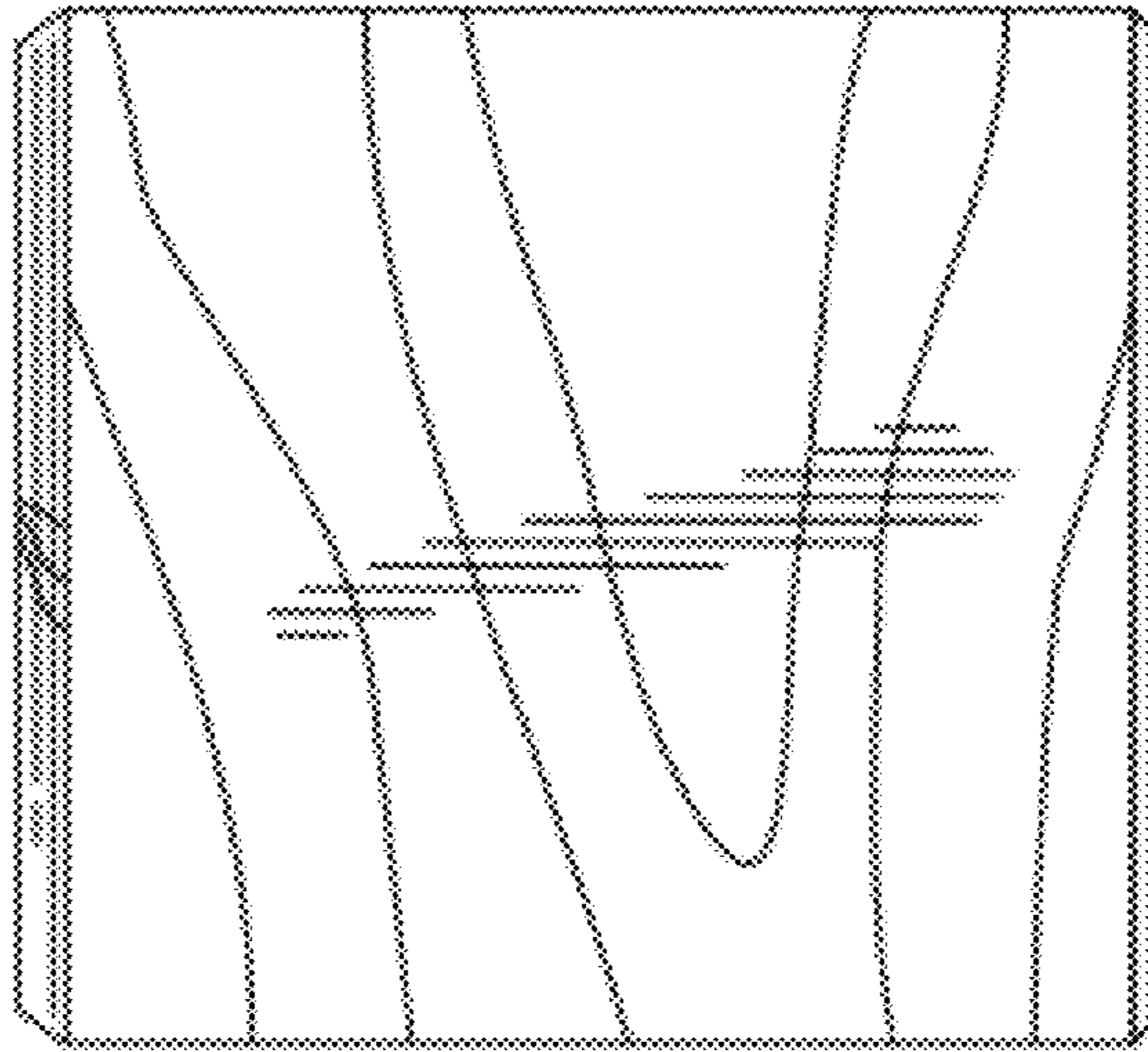


Fig. 5

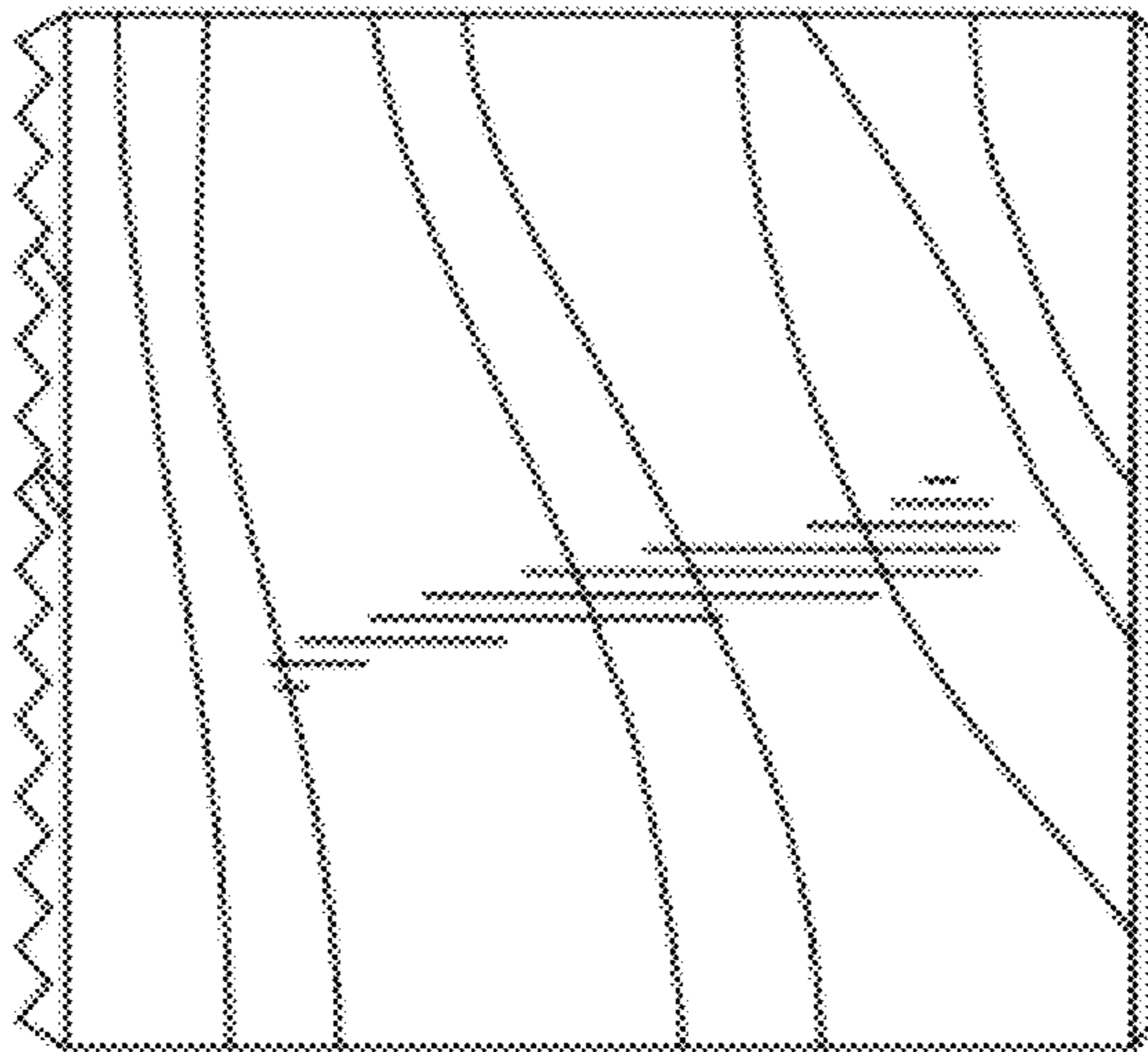


Fig. 4