



US00D669710S

(12) **United States Design Patent**
Lievore et al.

(10) **Patent No.:** **US D669,710 S**
(45) **Date of Patent:** **** Oct. 30, 2012**

(54) **TABLE**

(75) Inventors: **Alberto Lievore**, Treviso (IT);
Jeannette Altherr, Treviso (IT); **Manuel Molina**, Treviso (IT)

(73) Assignee: **Arper S.p.A.**, Monastier di Treviso,
Treviso (IT)

(**) Term: **14 Years**

(21) Appl. No.: **29/411,941**

(22) Filed: **Jan. 27, 2012**

(30) **Foreign Application Priority Data**

Jul. 29, 2011 (WO) 617287301

(51) **LOC (9) Cl.** **06-03**

(52) **U.S. Cl.** **D6/487**

(58) **Field of Classification Search** D6/480-489,
D6/495-499, 477, 479, 450-451; 108/150,
108/152, 153.1, 156, 161; 248/188, 188.1,
248/188.8

See application file for complete search history.

(56) **References Cited**

U.S. PATENT DOCUMENTS

D331,851 S * 12/1992 Bennett D6/489

D349,619 S * 8/1994 Li D6/499
5,435,510 A * 7/1995 Wey 248/188.1
D361,458 S * 8/1995 Laske D6/480
D477,475 S * 7/2003 Moore D6/487
D487,155 S * 2/2004 Barber D25/61

OTHER PUBLICATIONS

Cappellini 1994, p. 26, table.*

* cited by examiner

Primary Examiner — Janice Seeger

(74) *Attorney, Agent, or Firm* — Shoemaker and Mattare

(57) **CLAIM**

The ornamental design for a table, as shown and described.

DESCRIPTION

FIG. 1 is a perspective view of a table, showing our new design from the front, right side and top; FIG. 2 is a right side view thereof; FIG. 3 is a left side view thereof; FIG. 4 is a front elevational view thereof; FIG. 5 is a rear elevational view thereof; FIG. 6 is a top plan view thereof; and, FIG. 7 is a bottom plan view thereof.

1 Claim, 7 Drawing Sheets

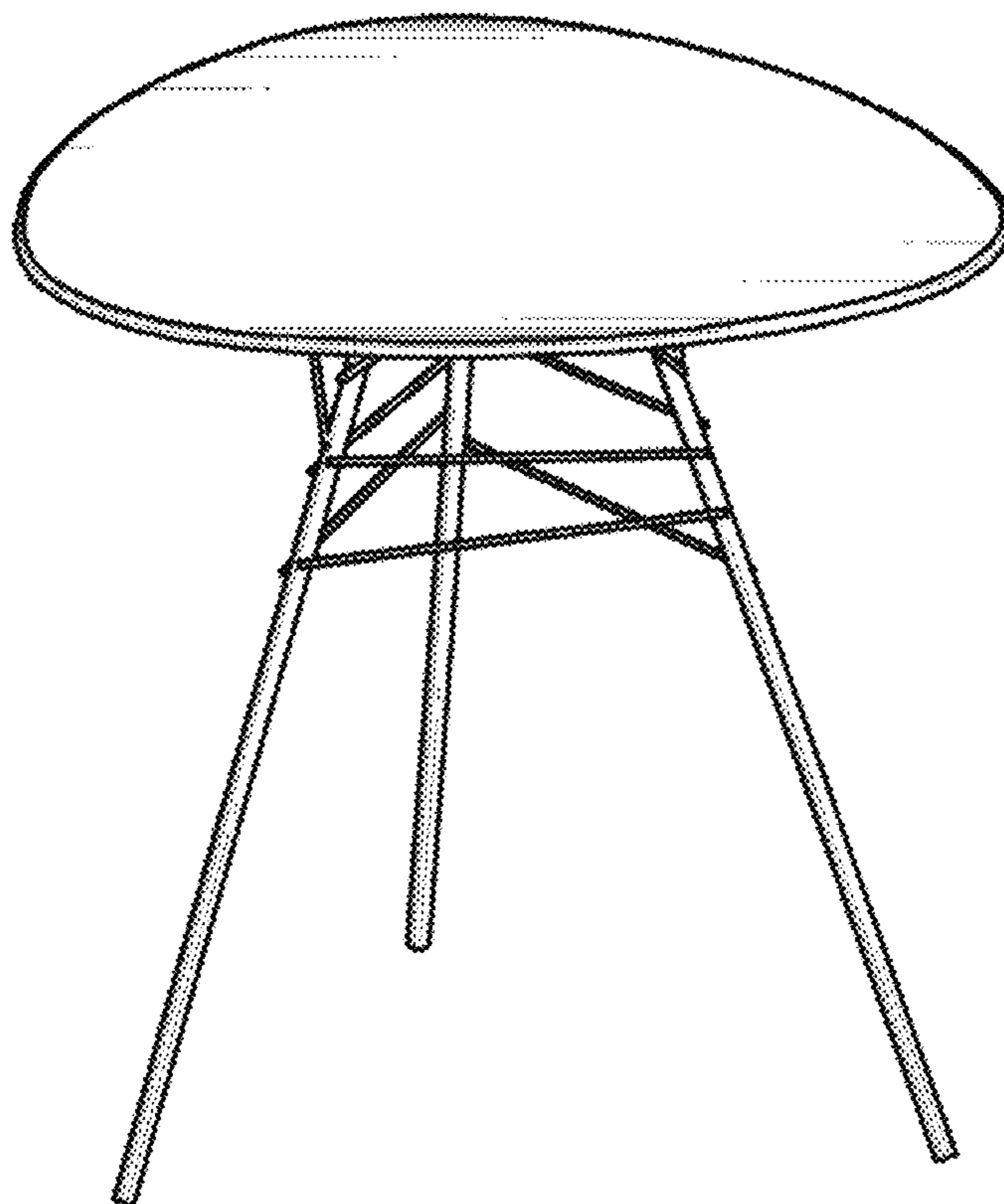




Fig. 1

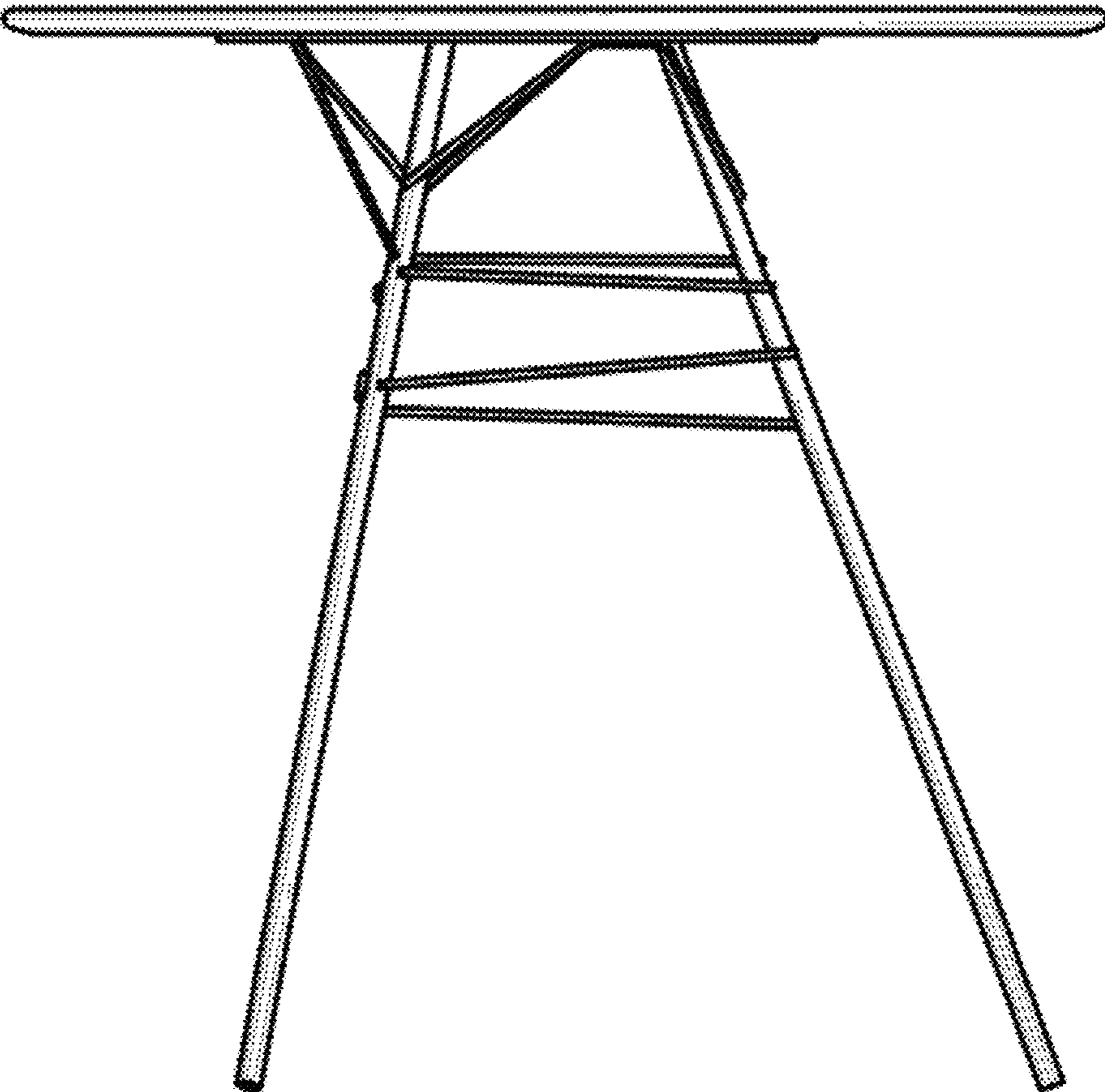


Fig. 2

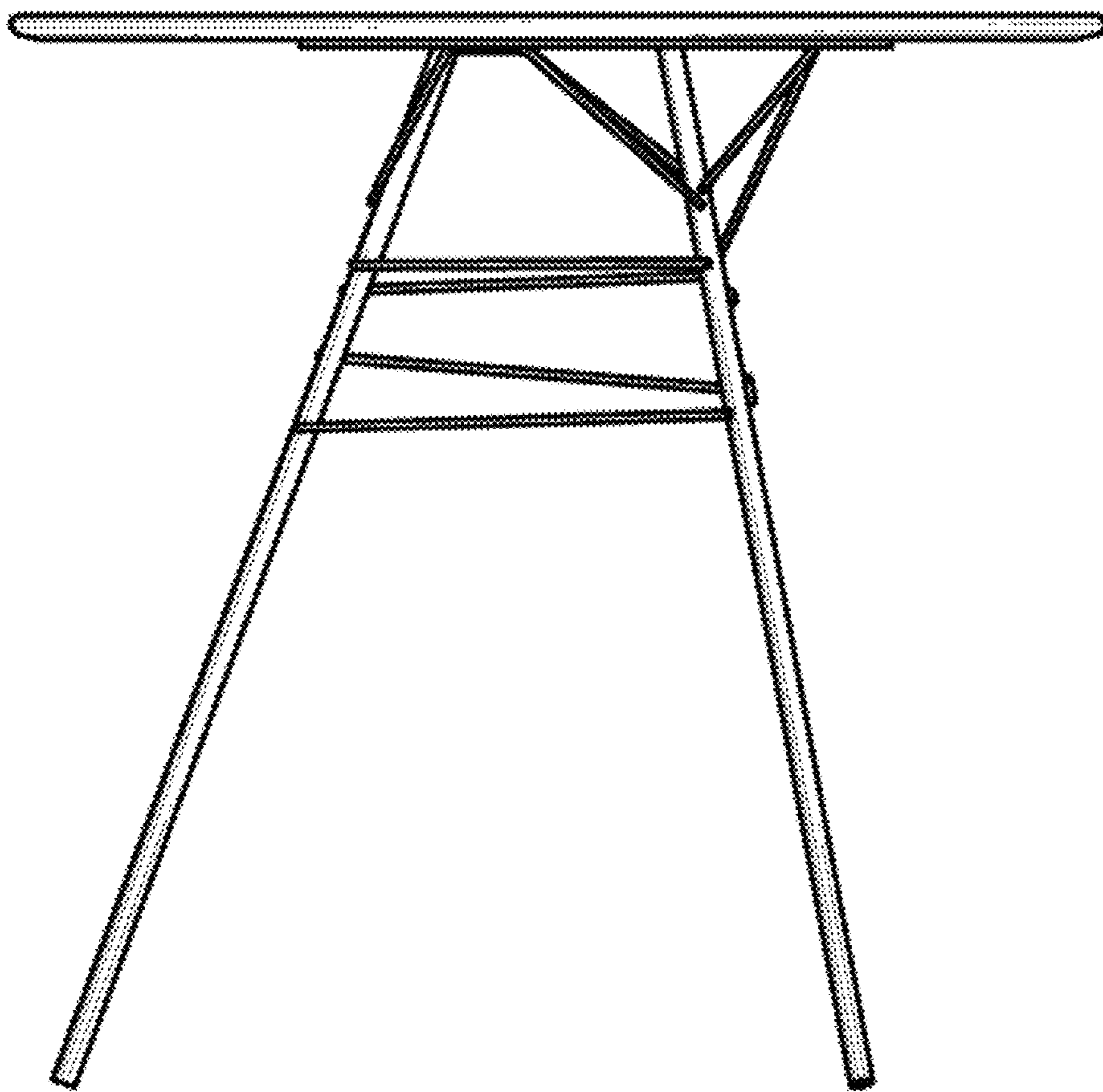


Fig. 3

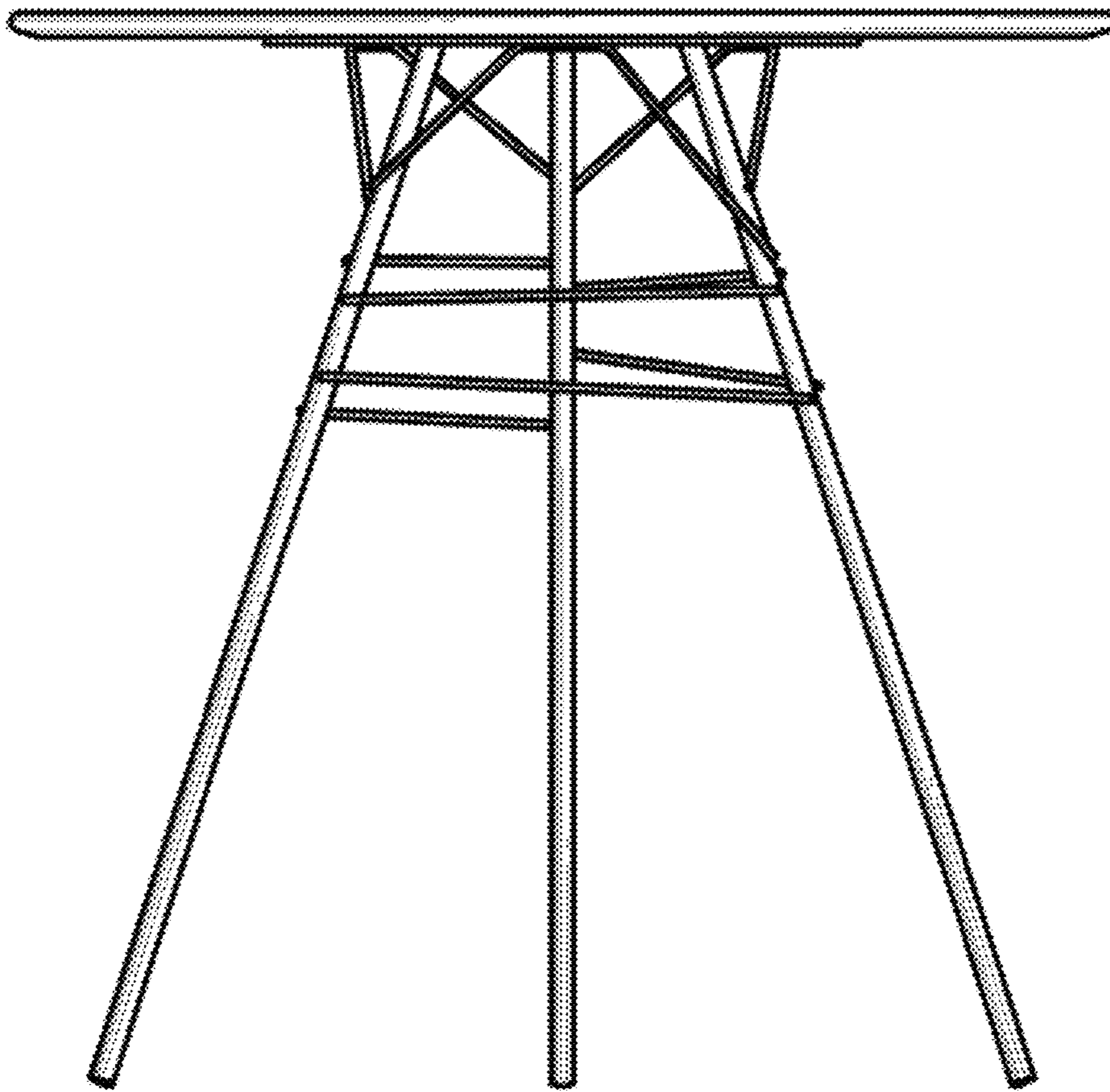


Fig. 4

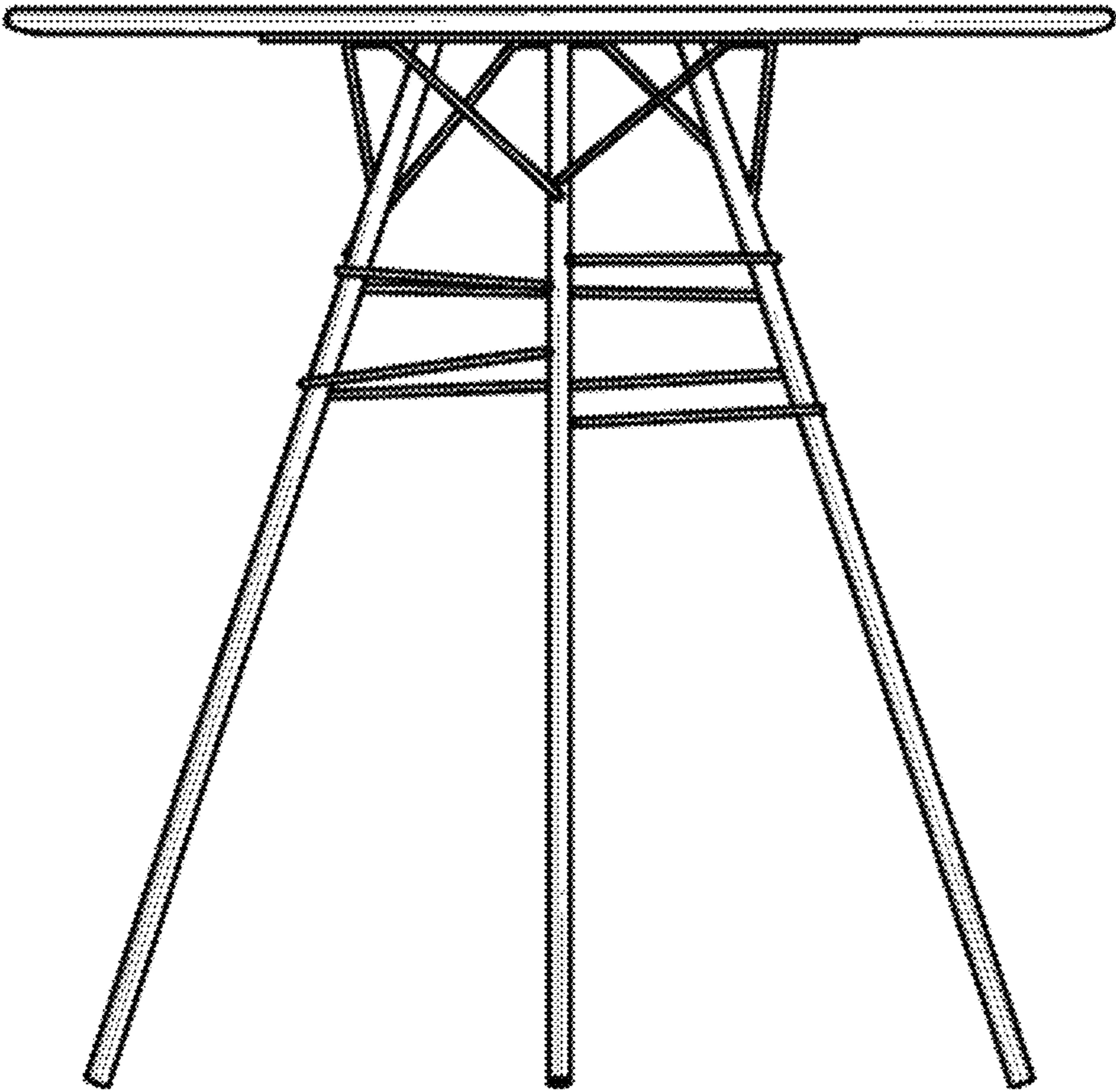


Fig. 5

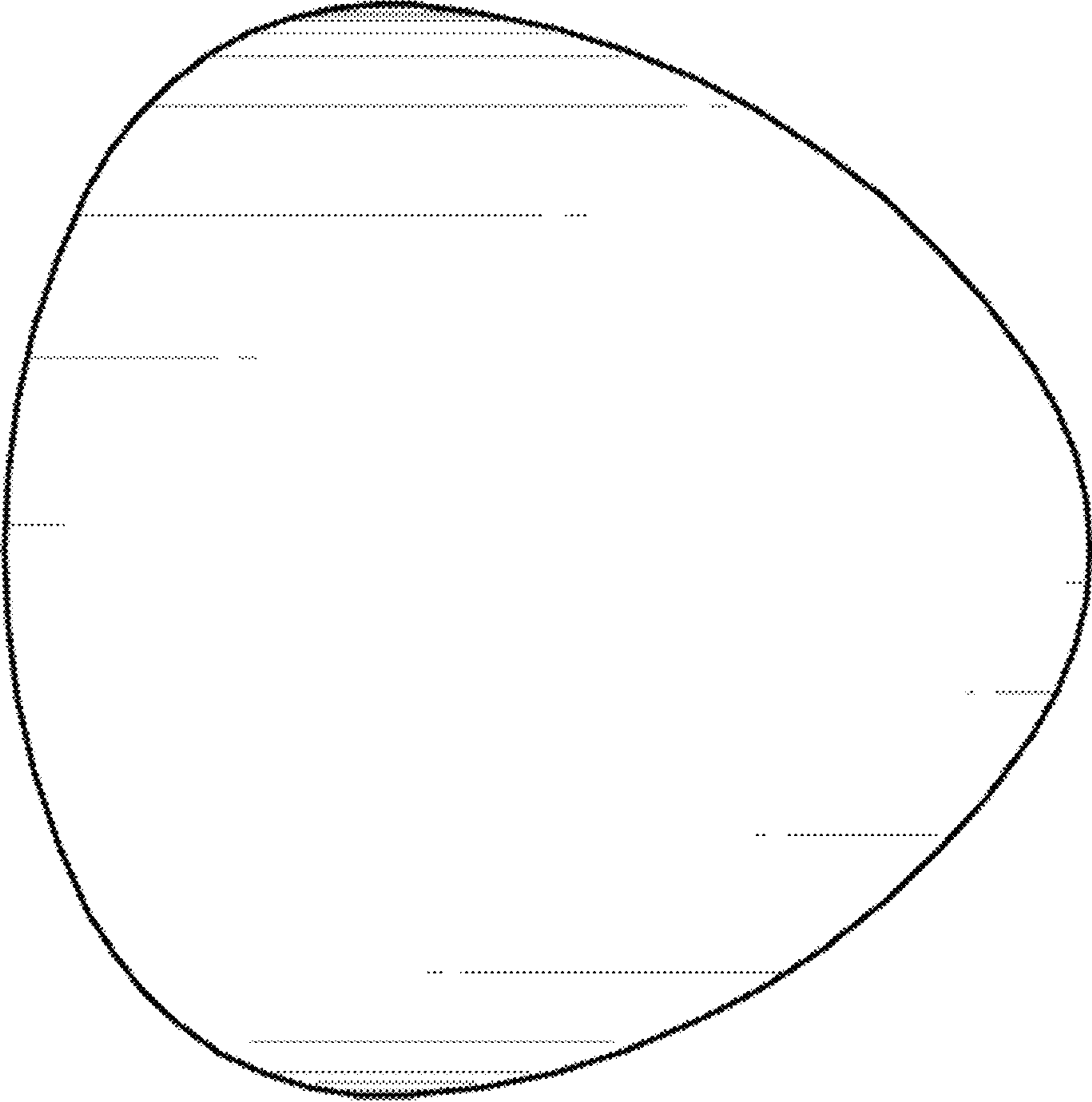


Fig. 6

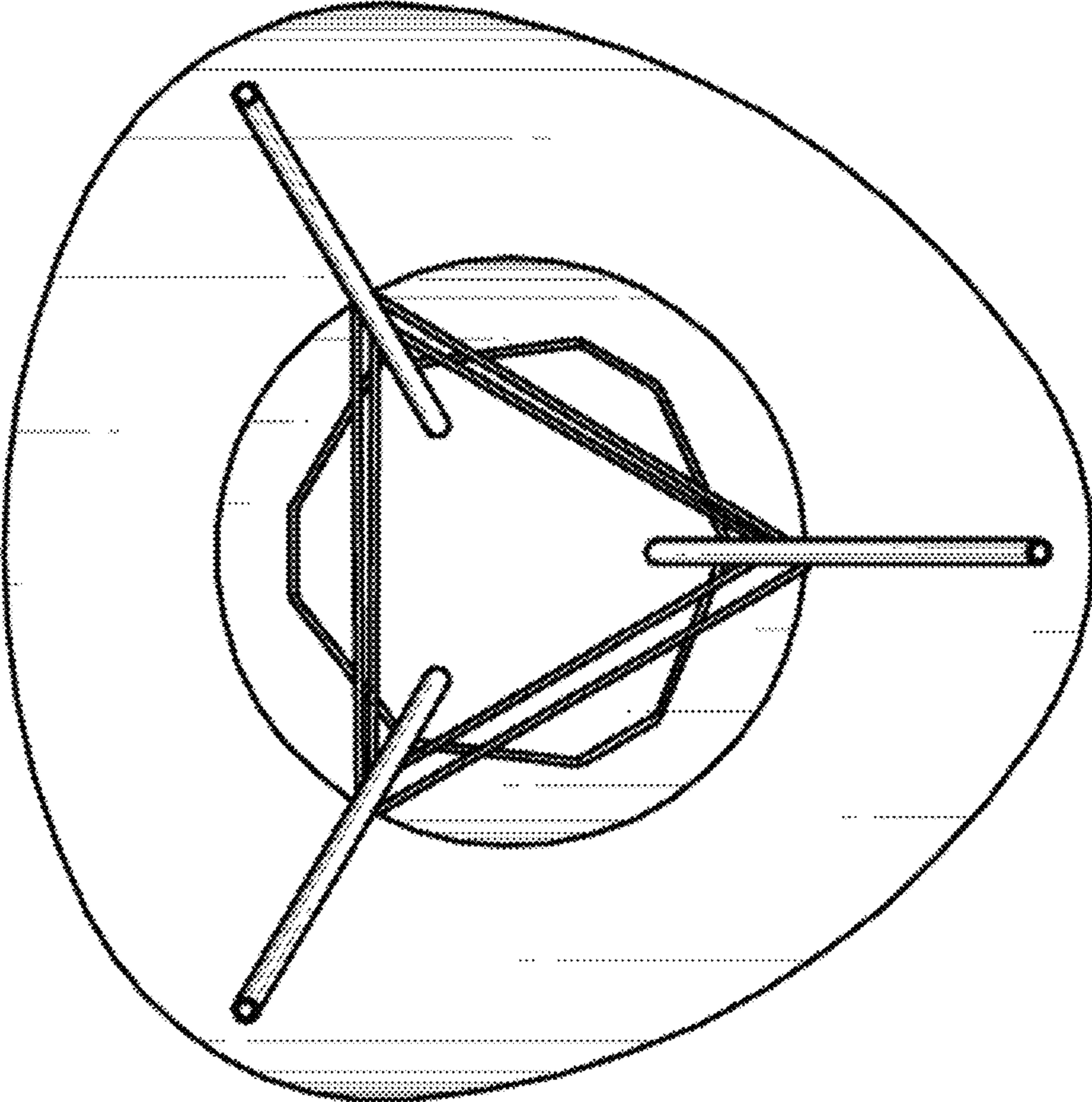


Fig. 7