



US00D669708S

(12) **United States Design Patent**
Haskell

(10) **Patent No.:** **US D669,708 S**

(45) **Date of Patent:** **** Oct. 30, 2012**

(54) **RETAIL DISPLAY**

(75) Inventor: **Cristopher Haskell**, Stamford, CT (US)

(73) Assignee: **PCP Group, LLC**, St. Petersburg, FL (US)

(**) Term: **14 Years**

(21) Appl. No.: **29/391,257**

(22) Filed: **May 5, 2011**

(51) **LOC (9) Cl.** **06-04**

(52) **U.S. Cl.** **D6/455**

(58) **Field of Classification Search** D6/396,
D6/397, 407-409, 436, 449, 450, 454-470,
D6/478; 211/1, 10, 13.1, 44, 50-53, 59.2,
211/59.3, 70, 70.1, 181.1, 186, 189; 312/9.1,
312/9.46

See application file for complete search history.

(56) **References Cited**

U.S. PATENT DOCUMENTS

D288,640	S	*	3/1987	Campbell	D6/465
5,487,599	A	*	1/1996	Weisburn et al.	312/9.46
D417,977	S	*	12/1999	Veto	D6/465
D461,974	S	*	8/2002	Hayden	D6/467
D495,527	S	*	9/2004	Walker	D6/436
D601,368	S	*	10/2009	Calco	D6/478
2006/0108307	A1	*	5/2006	Kin	211/189

* cited by examiner

Primary Examiner — Mary Ann Calabrese

(74) *Attorney, Agent, or Firm* — Nilay J. Choksi; Smith & Hopen, P.A.

(57) **CLAIM**

The ornamental design for a retail display, as substantially shown and described.

DESCRIPTION

FIG. 1 is a first side view of the retail display;
 FIG. 2 is a second side view thereof;
 FIG. 3 is a third side view thereof;
 FIG. 4 is a fourth side view thereof;
 FIG. 5 is a bottom view thereof;
 FIG. 6 is a top view thereof;
 FIG. 7 is a first upper perspective thereof, showing the first and second sides;
 FIG. 8 is a second upper perspective thereof, showing the second and third sides;
 FIG. 9 is a third upper perspective thereof, showing the third and fourth sides; and,
 FIG. 10 is a fourth upper perspective thereof, showing the fourth and first sides.
 The matter delineated in broken lines forms no part of the claimed ornamental design.

1 Claim, 10 Drawing Sheets

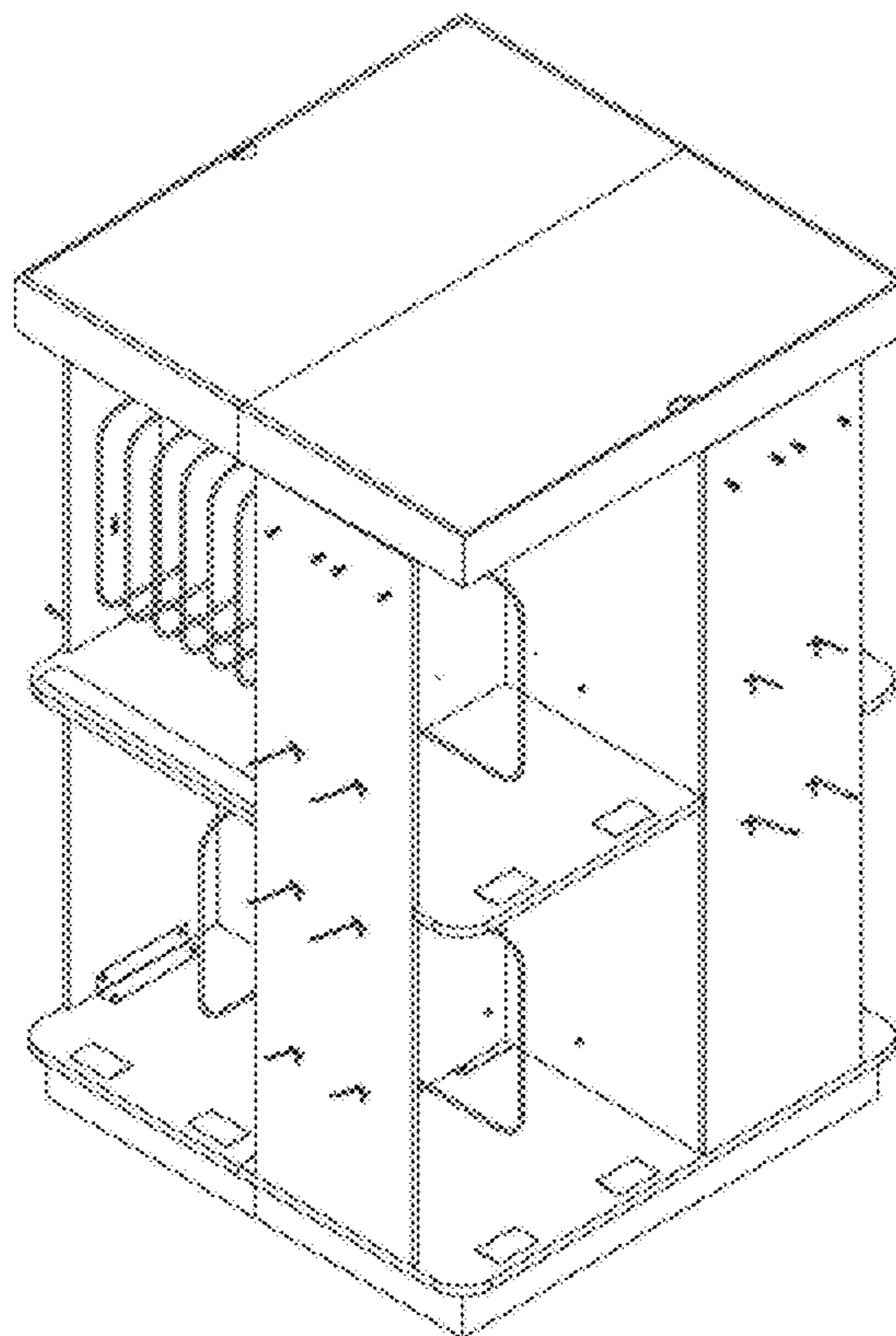


FIG. 1

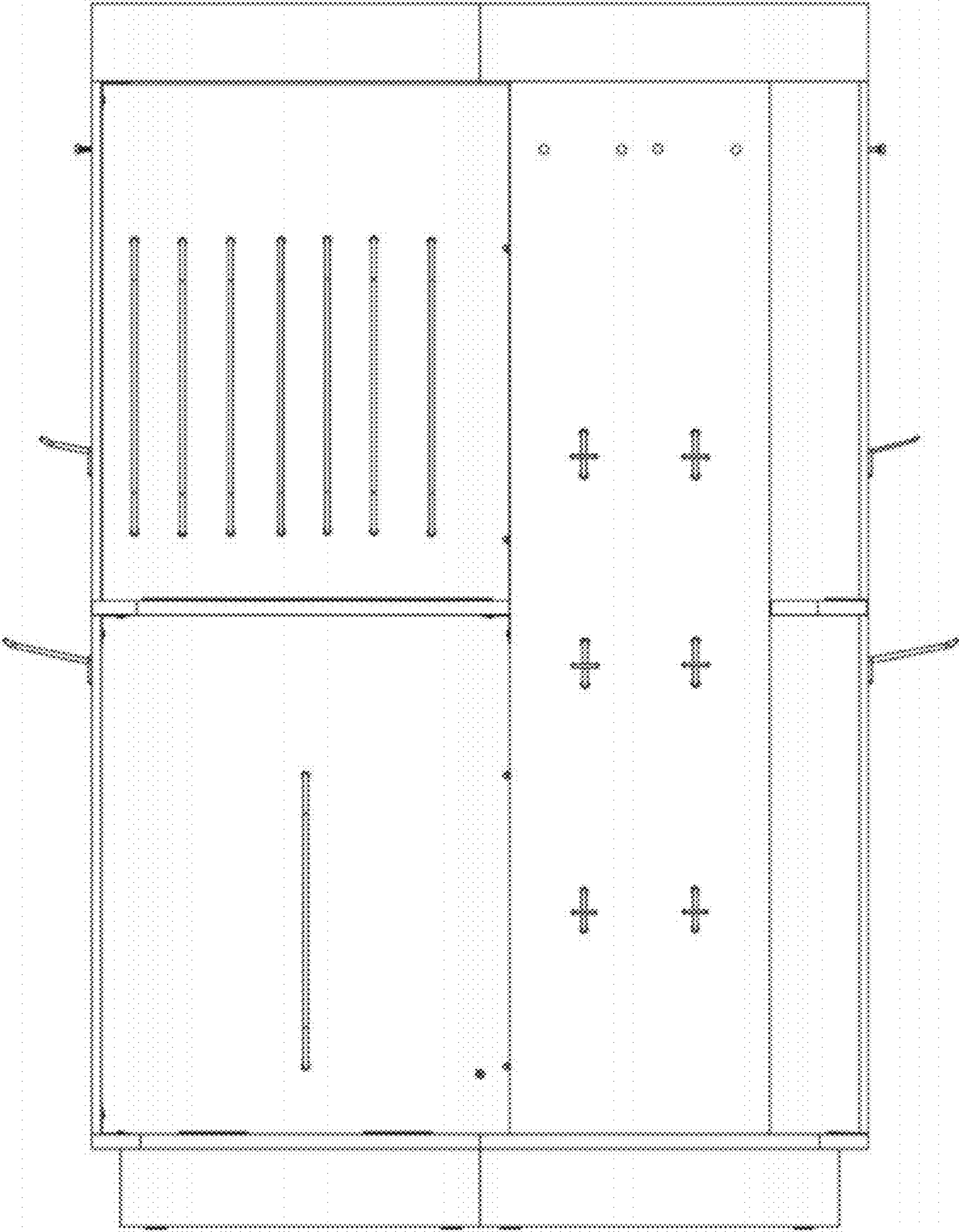


FIG. 2

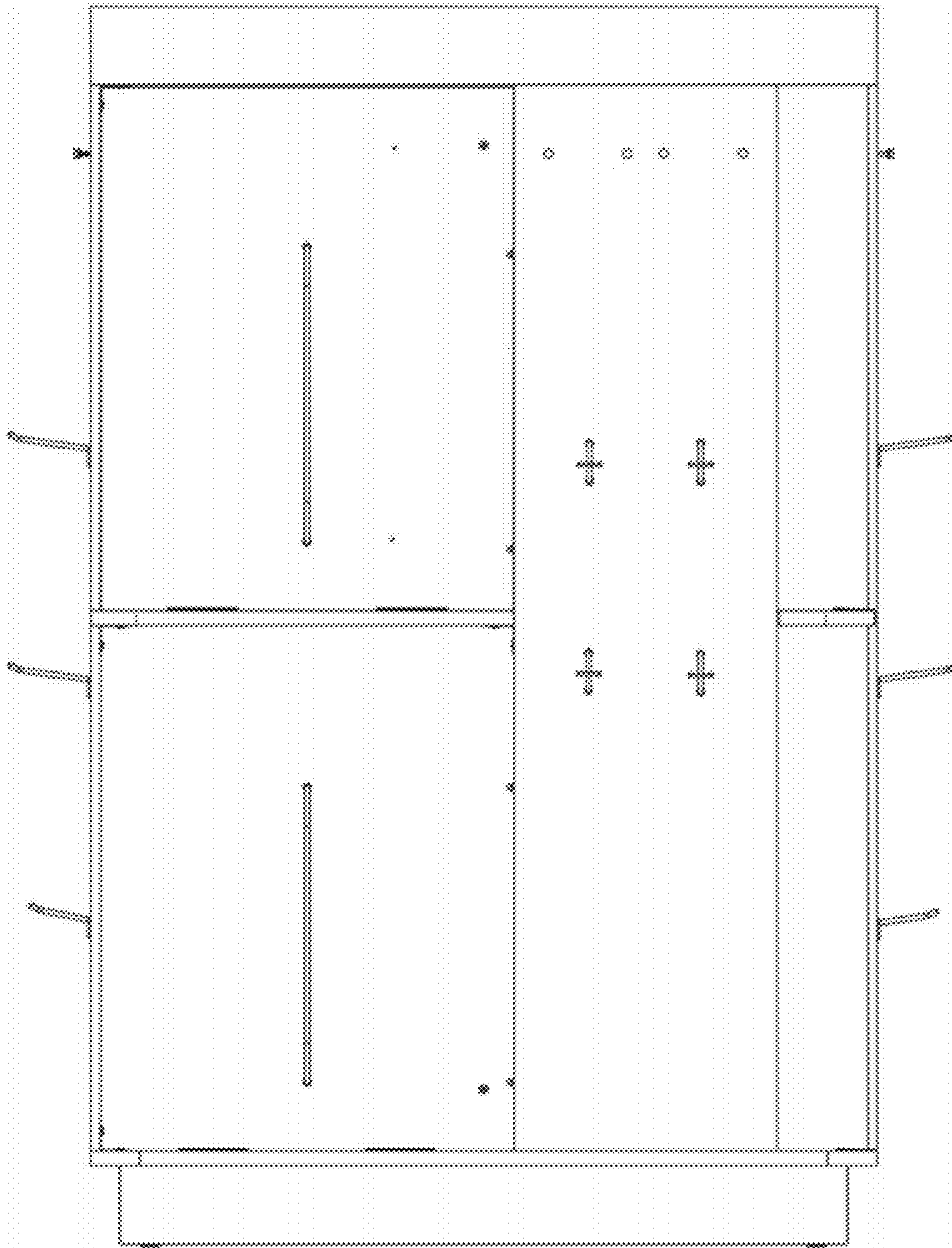


FIG. 3

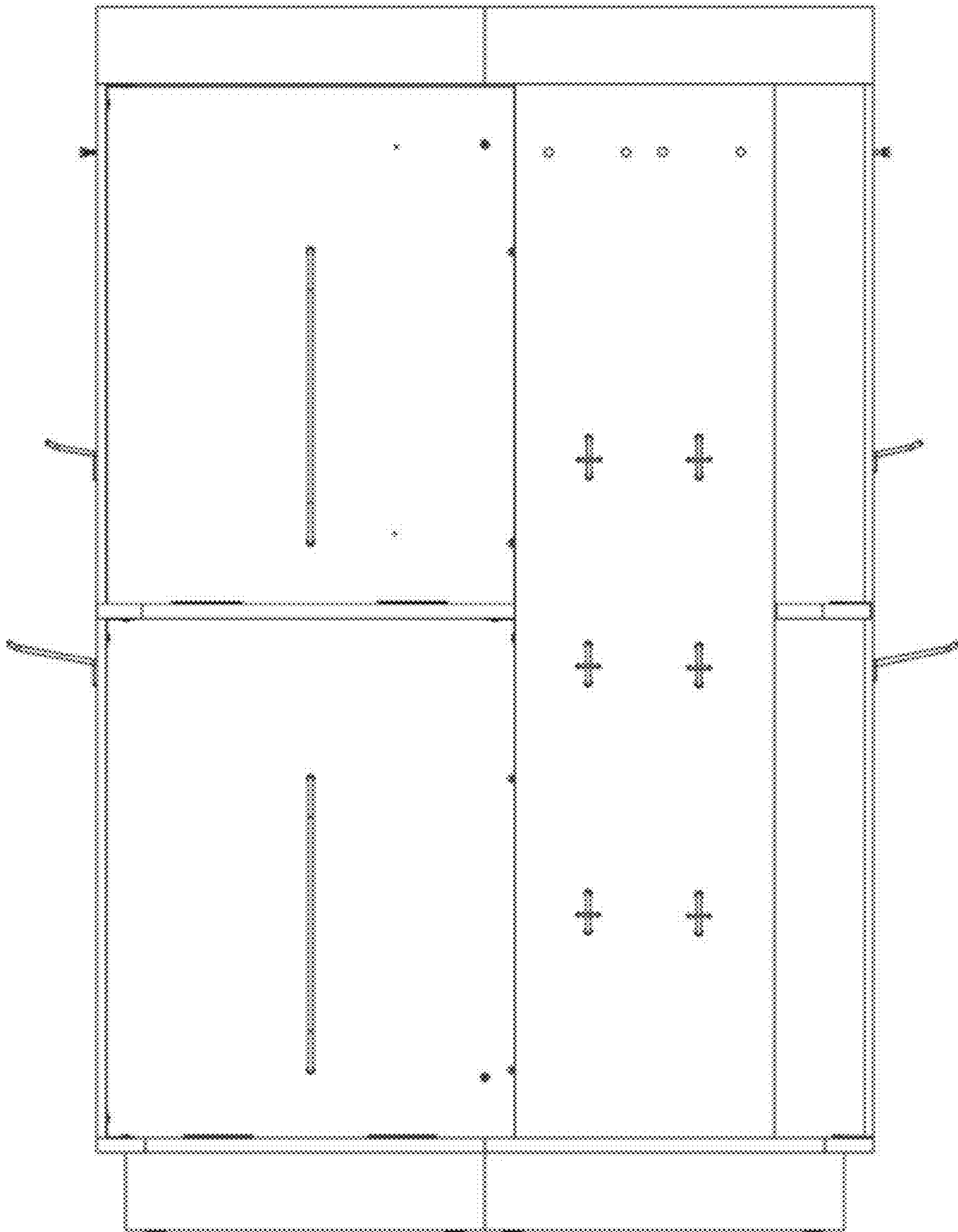


FIG. 4

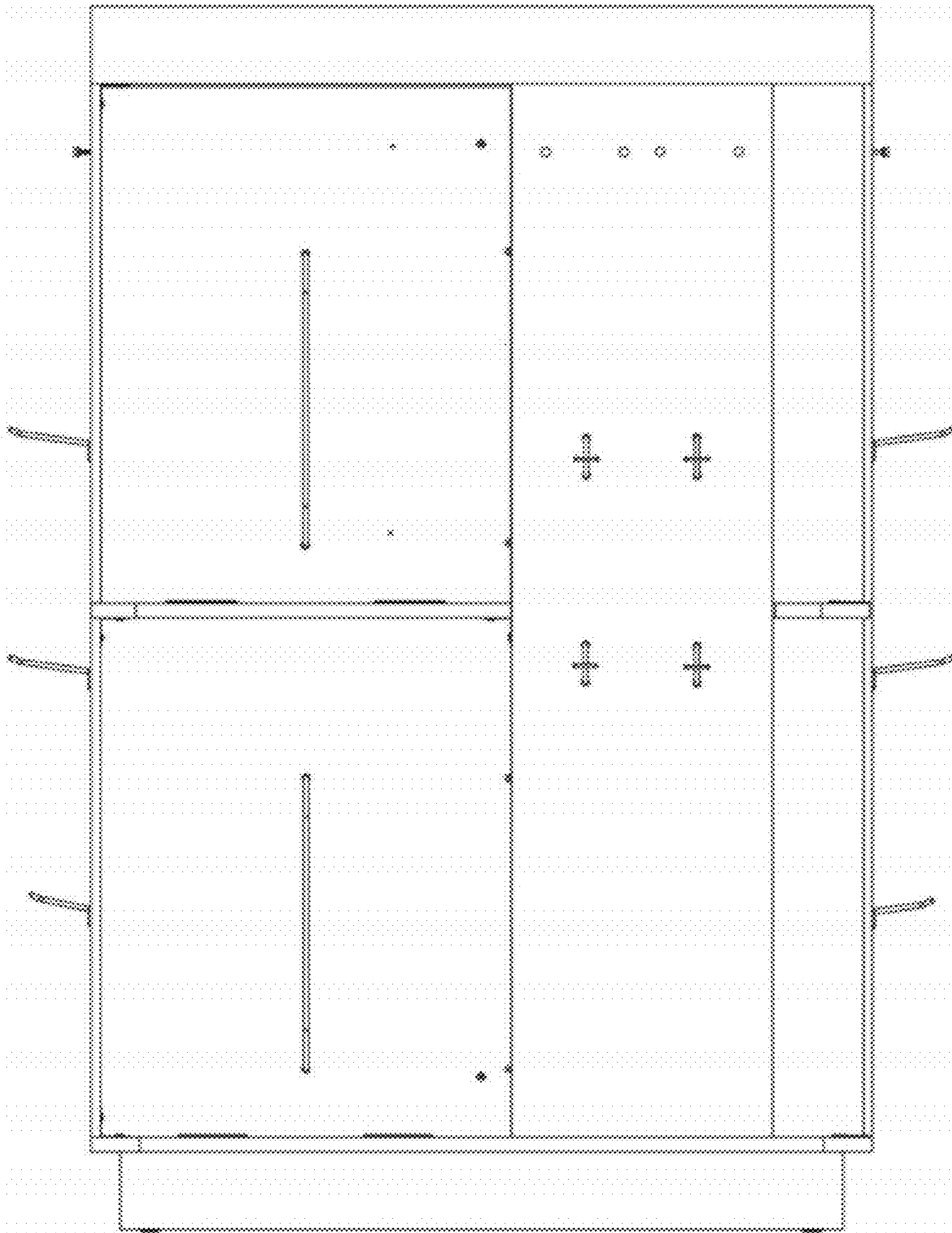


FIG. 5

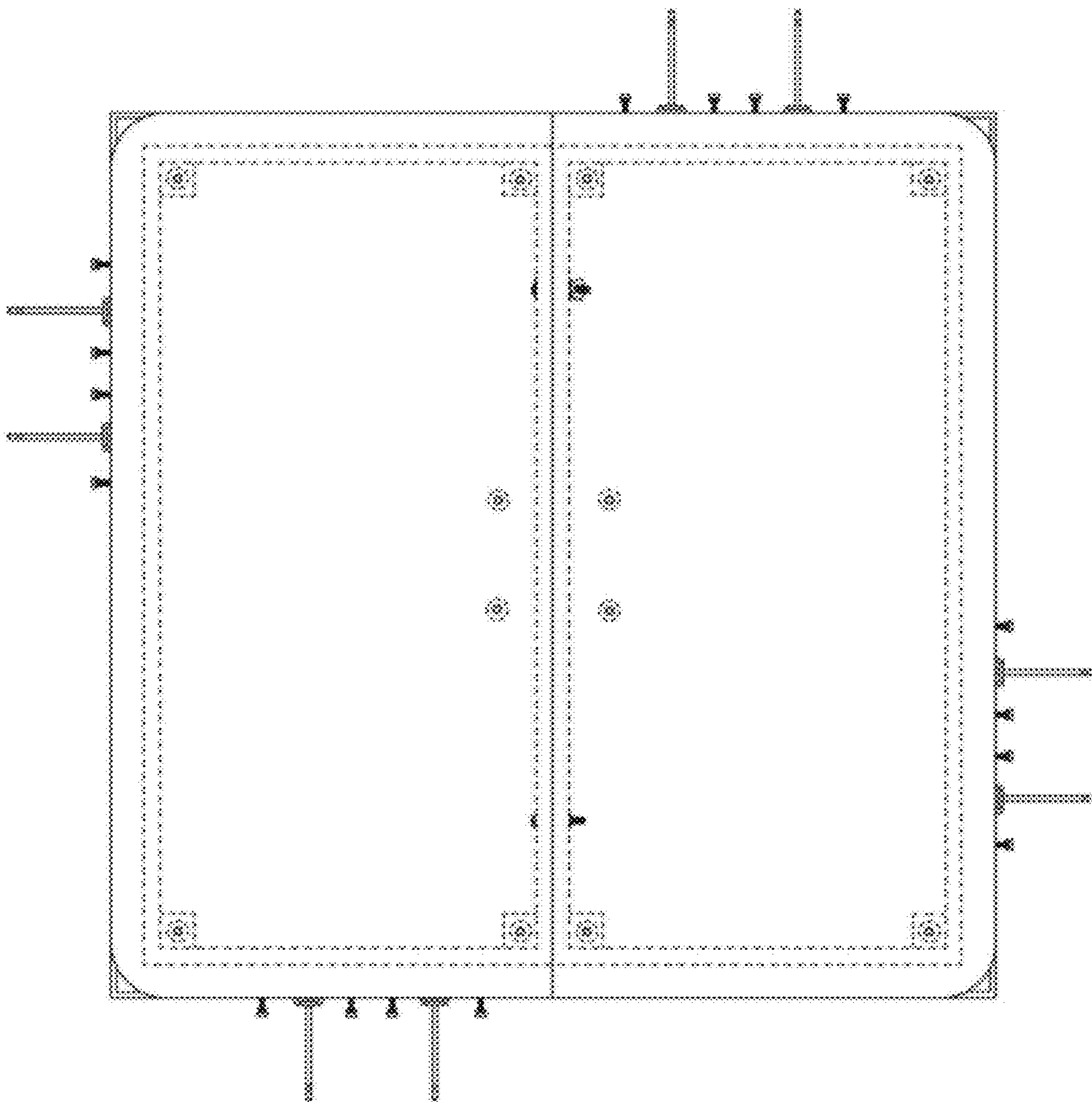


FIG. 6

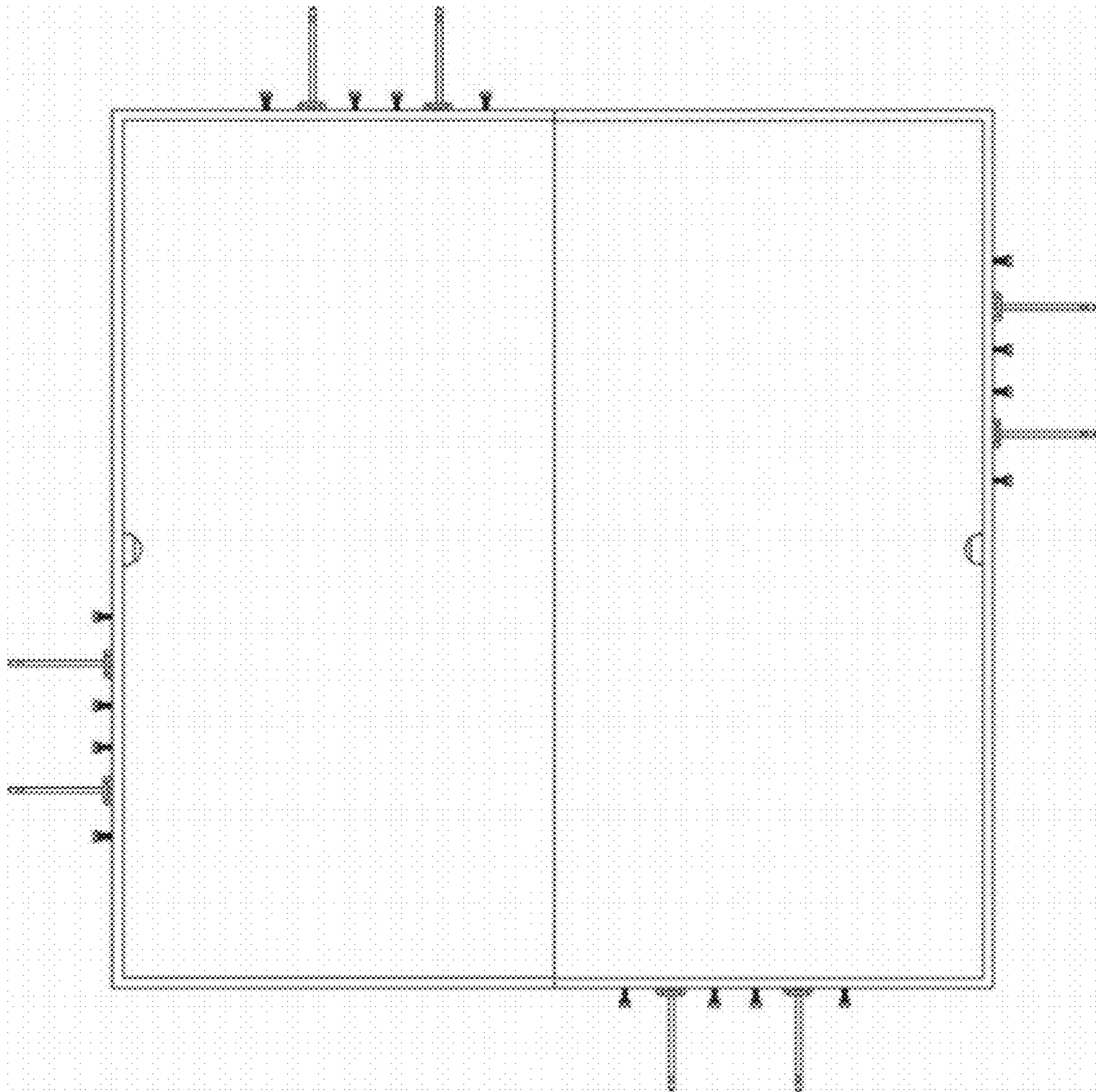


FIG. 7

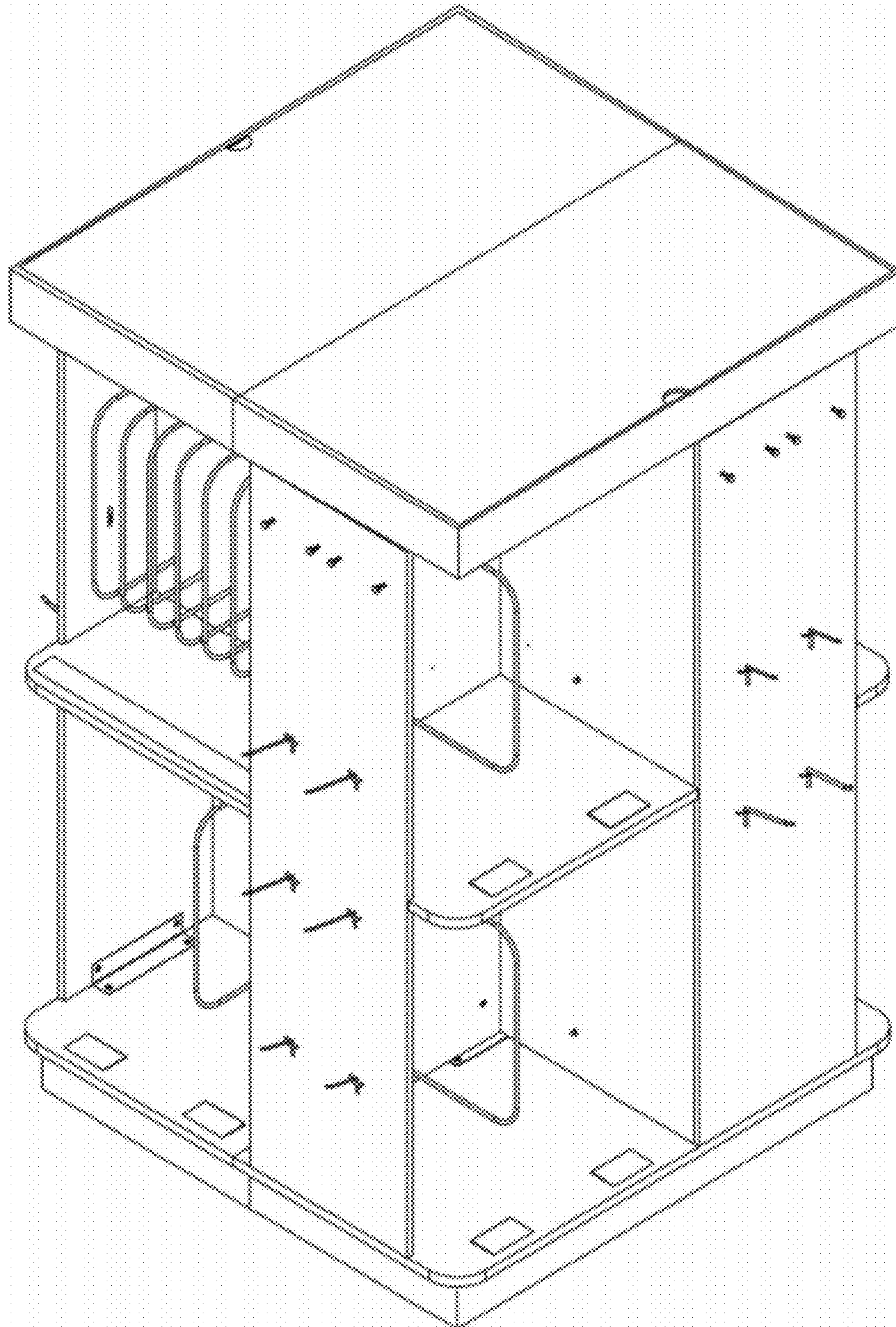


FIG. 8

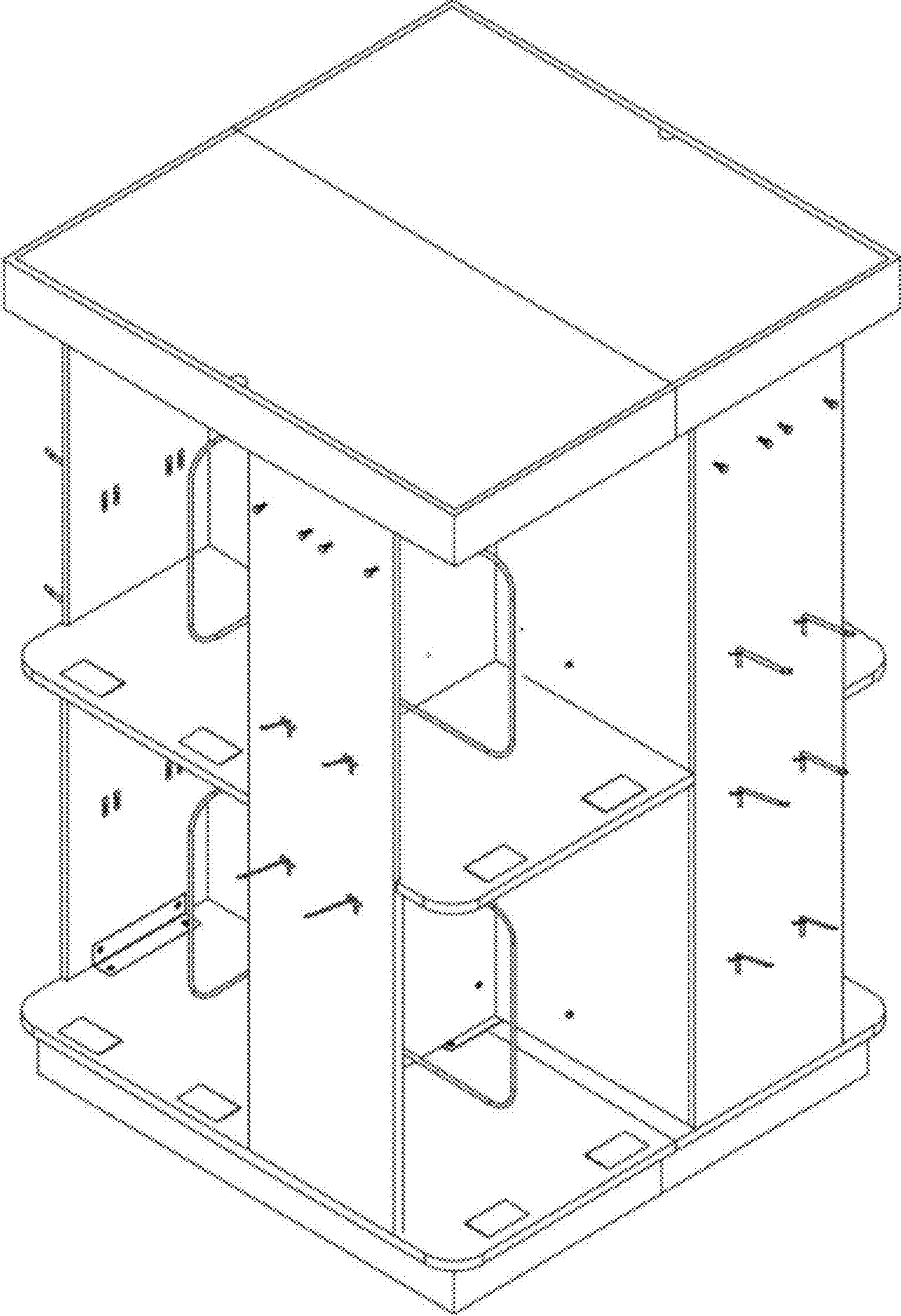


FIG. 9

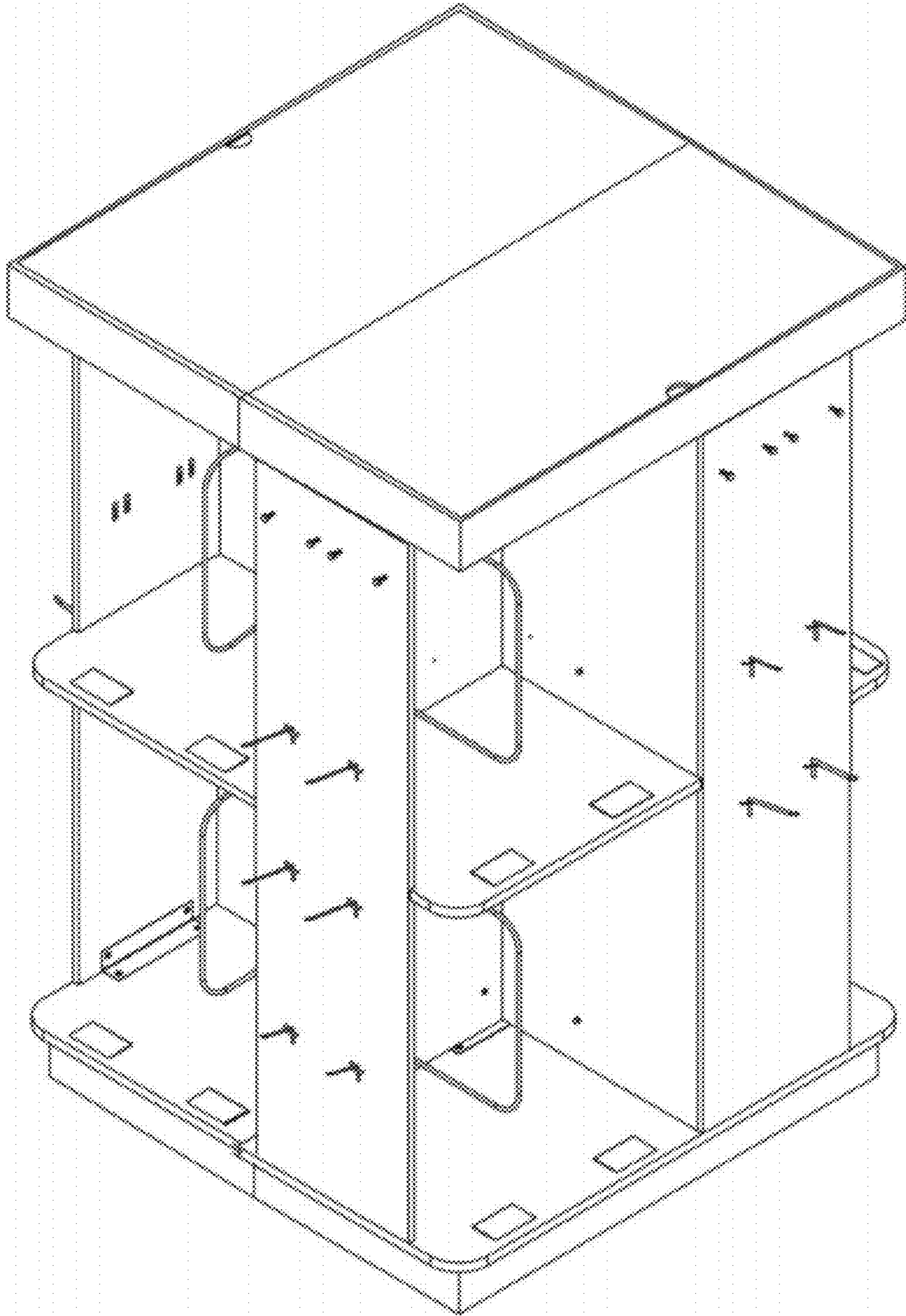


FIG. 10

