



US00D669706S

(12) **United States Design Patent**
Zambelli

(10) **Patent No.:** **US D669,706 S**
(45) **Date of Patent:** **** Oct. 30, 2012**

- (54) **AUDIO VIDEO SHELVING UNIT**
- (75) Inventor: **Michael P. Zambelli**, Basking Ridge, NJ (US)
- (73) Assignee: **Bell'O International Corp.**, Morganville, NJ (US)
- (**) Term: **14 Years**
- (21) Appl. No.: **29/410,115**
- (22) Filed: **Jan. 4, 2012**
- (51) **LOC (9) Cl.** **06-04**
- (52) **U.S. Cl.** **D6/437**
- (58) **Field of Classification Search** D6/432, D6/436, 437, 438, 439, 440-448, 477, 478, D6/479; 312/7.2, 9.1, 138.1, 204, 223.1, 312/237, 257.1, 278, 279; 108/59, 60, 91, 108/92, 47.11, 49; 211/153, 186, 188, 194
See application file for complete search history.

- D493,982 S 8/2004 deCarolis
- D496,807 S 10/2004 deCarolis
- D497,060 S 10/2004 Chang et al.
- D497,061 S 10/2004 Decarolis
- D500,215 S * 12/2004 Winter D6/437
- D505,573 S 5/2005 Malizia
- D506,329 S 6/2005 Sexton
- D507,433 S 7/2005 Portnoy
- D507,900 S 8/2005 Sexton
- D508,172 S 8/2005 Malizia et al.
- D515,337 S 2/2006 deCarolis
- D515,849 S 2/2006 Niu
- D516,838 S 3/2006 Portnoy
- D516,840 S 3/2006 deCarolis
- D516,847 S 3/2006 Stenhouse et al.
- D519,756 S * 5/2006 Sexton D6/479

(Continued)

OTHER PUBLICATIONS

Bell'O 2011-12 Product Catalog.

Primary Examiner — Mimoso De

(74) *Attorney, Agent, or Firm* — Lerner, David, Littenberg, Krumholz & Mentlik, LLP

(56) **References Cited**

U.S. PATENT DOCUMENTS

- D116,972 S * 10/1939 Houle D6/437
- D326,971 S * 6/1992 Leis et al. D6/477
- D430,752 S * 9/2000 Hazen et al. D6/437
- D444,313 S * 7/2001 Hutton D6/436
- D446,053 S * 8/2001 Wohlford D6/479
- D454,731 S 3/2002 Niitsu et al.
- D458,053 S 6/2002 Luong
- D459,118 S 6/2002 Antonioni
- D462,850 S * 9/2002 Cain D6/436
- D472,073 S 3/2003 de Carolis
- D472,074 S 3/2003 de Carolis
- D472,075 S 3/2003 de Carolis
- D489,548 S 5/2004 Malizia et al.
- D491,748 S 6/2004 deCarolis
- D491,749 S 6/2004 Malizia et al.
- D491,750 S 6/2004 Bertoncini et al.
- D491,753 S 6/2004 deCarolis
- D492,860 S 7/2004 Bertoncini et al.

(57) **CLAIM**

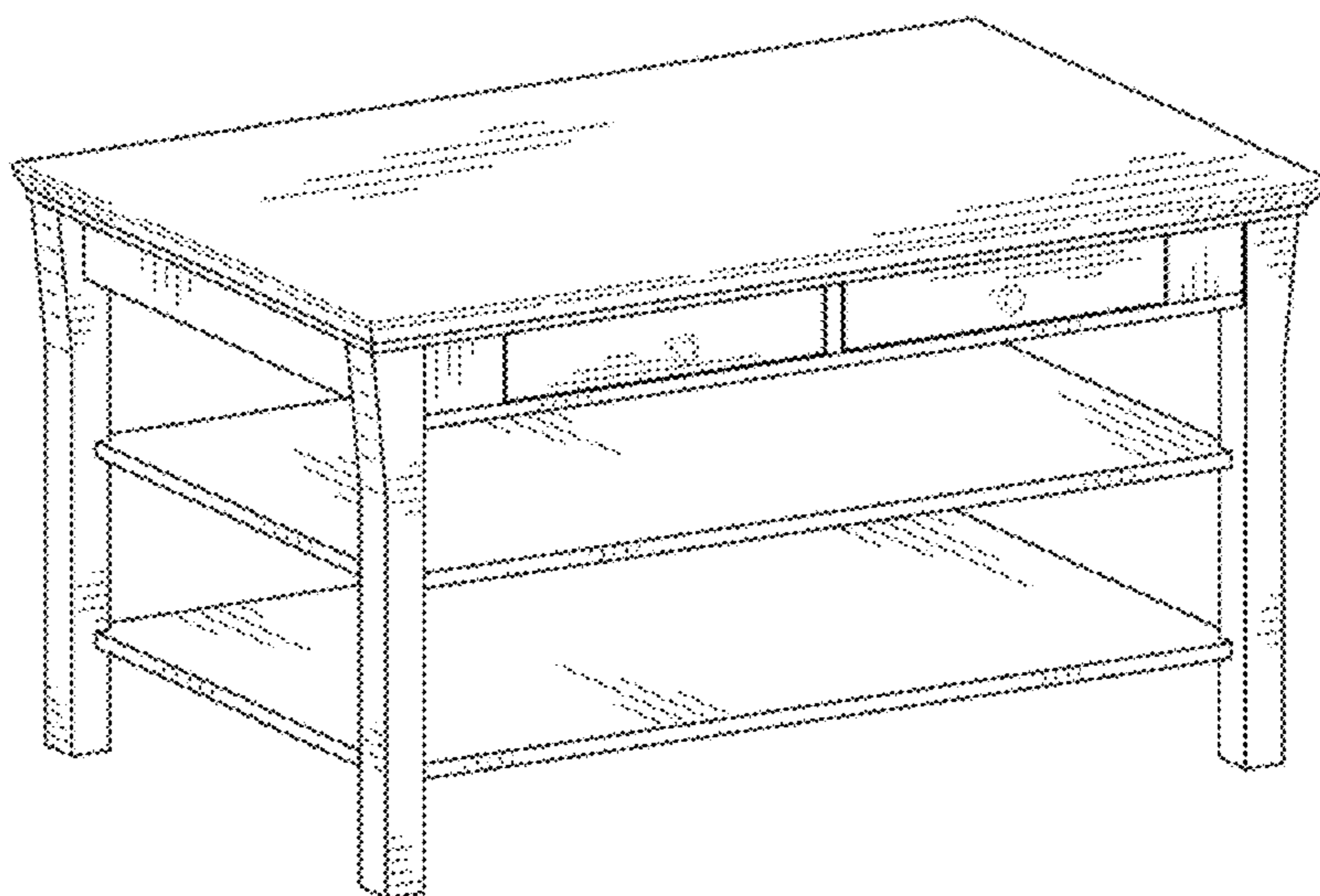
The ornamental design for audio video shelving unit, as shown and described.

DESCRIPTION

FIG. 1 is a front perspective view of the subject audio video shelving unit;
FIG. 2 is a front view thereof;
FIG. 3 is a rear view thereof;
FIG. 4 is a top plan view thereof; and,
FIG. 5 is a right side view thereof (the left side view is a mirror image of the right side view).

The broken lines shown on the drawings are included for the purpose of illustration and form no part of the claimed design.

1 Claim, 3 Drawing Sheets



US D669,706 S

Page 2

U.S. PATENT DOCUMENTS

D519,757 S	5/2006	Portnoy	D590,637 S	4/2009	Portnoy
D524,080 S	7/2006	Stenhouse et al.	D592,428 S	5/2009	Zambelli
D524,578 S	7/2006	Stenhouse et al.	D594,248 S	6/2009	Zambelli
D525,052 S	7/2006	Malizia et al.	D595,978 S	7/2009	Portnoy et al.
D525,054 S	7/2006	Stenhouse et al.	D599,584 S	9/2009	Zambelli
D527,208 S	8/2006	Malizia et al.	D604,251 S	11/2009	Hwang
D535,497 S	1/2007	Portnoy	D604,962 S	* 12/2009	Daud D6/477
D537,656 S	3/2007	Stenhouse et al.	D605,874 S	12/2009	Zambelli
D540,067 S	4/2007	Chung	D610,836 S	3/2010	Kohler
D542,059 S	5/2007	Moyle et al.	D612,172 S	3/2010	Portnoy
D543,729 S	6/2007	Weatherly	D612,634 S	3/2010	Zambelli
D549,991 S	9/2007	Stravitz	D616,672 S	6/2010	Sculler et al.
D554,393 S	11/2007	Yalif	D619,827 S	7/2010	Sculler et al.
D555,397 S	11/2007	Yalif	D619,828 S	7/2010	Connor et al.
D559,583 S	1/2008	Zambelli	D620,278 S	7/2010	Zambelli
D559,584 S	1/2008	Zambelli	D620,284 S	7/2010	Zambelli
D560,077 S	1/2008	Zambelli	D620,285 S	7/2010	Sculler et al.
D560,401 S	1/2008	Hoglan et al.	D623,442 S	9/2010	Zambelli
D562,593 S	2/2008	Zambelli	D623,443 S	9/2010	Zambelli
D563,695 S	3/2008	Yamaguchi	D623,876 S	9/2010	Zambelli
D564,260 S	3/2008	deCarolis	D623,877 S	9/2010	Zambelli
D564,261 S	3/2008	Sculler	D625,123 S	10/2010	Zambelli
D564,789 S	3/2008	deCarolis	D641,183 S	7/2011	Portnoy
D564,796 S	3/2008	Zambelli	D641,995 S	7/2011	Zambelli
D564,797 S	3/2008	Yamaguchi	D643,649 S	8/2011	Chung
D587,483 S	3/2009	Zambelli	D644,043 S	8/2011	Portnoy
D587,496 S	3/2009	Weitz	D644,454 S	9/2011	Chung
D587,497 S	3/2009	Zambelli	D646,910 S	10/2011	Portnoy
D589,280 S	3/2009	Zambelli	D648,573 S	11/2011	Sculler
D590,636 S	4/2009	Ou Yang et al.			

* cited by examiner

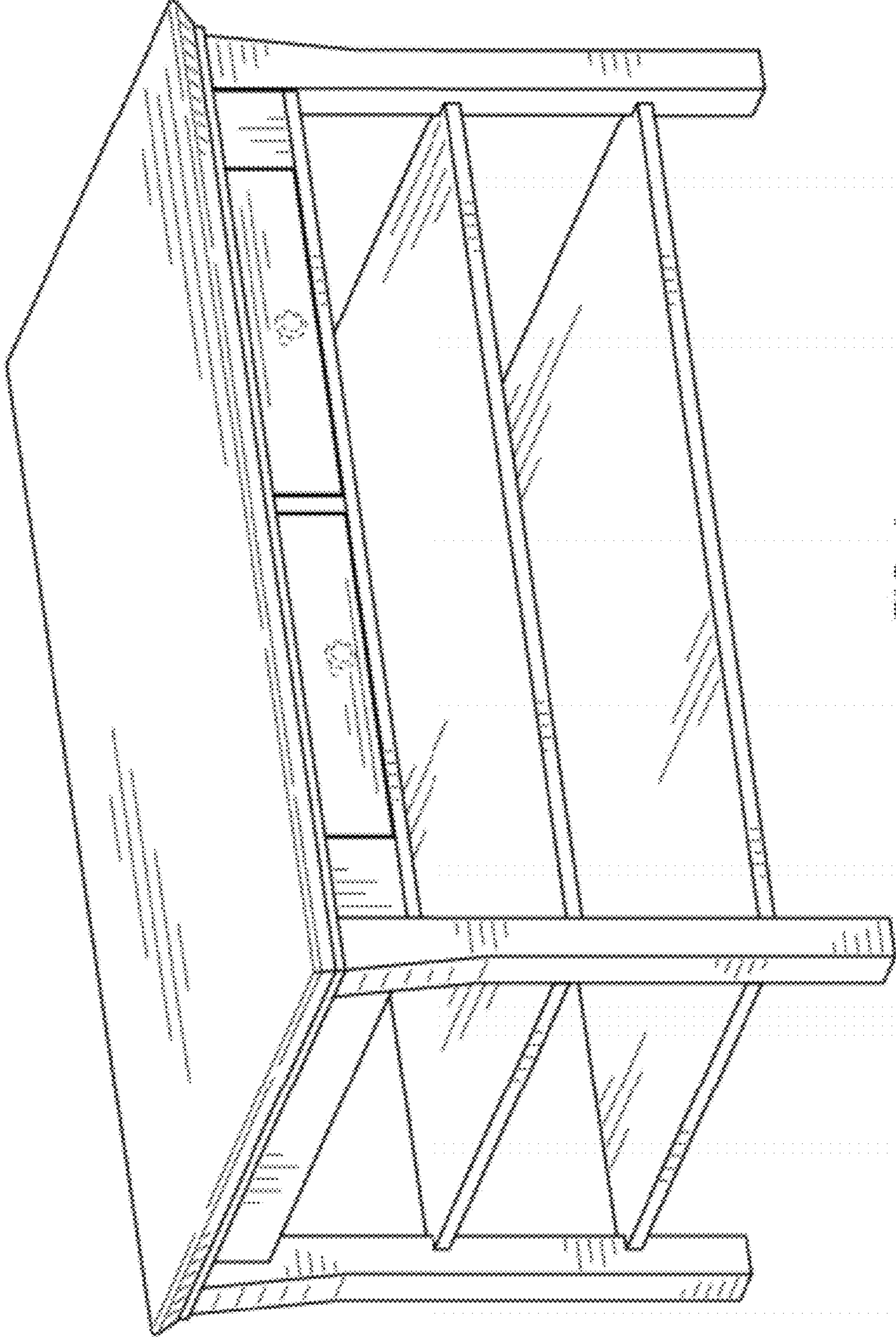


FIG. 1

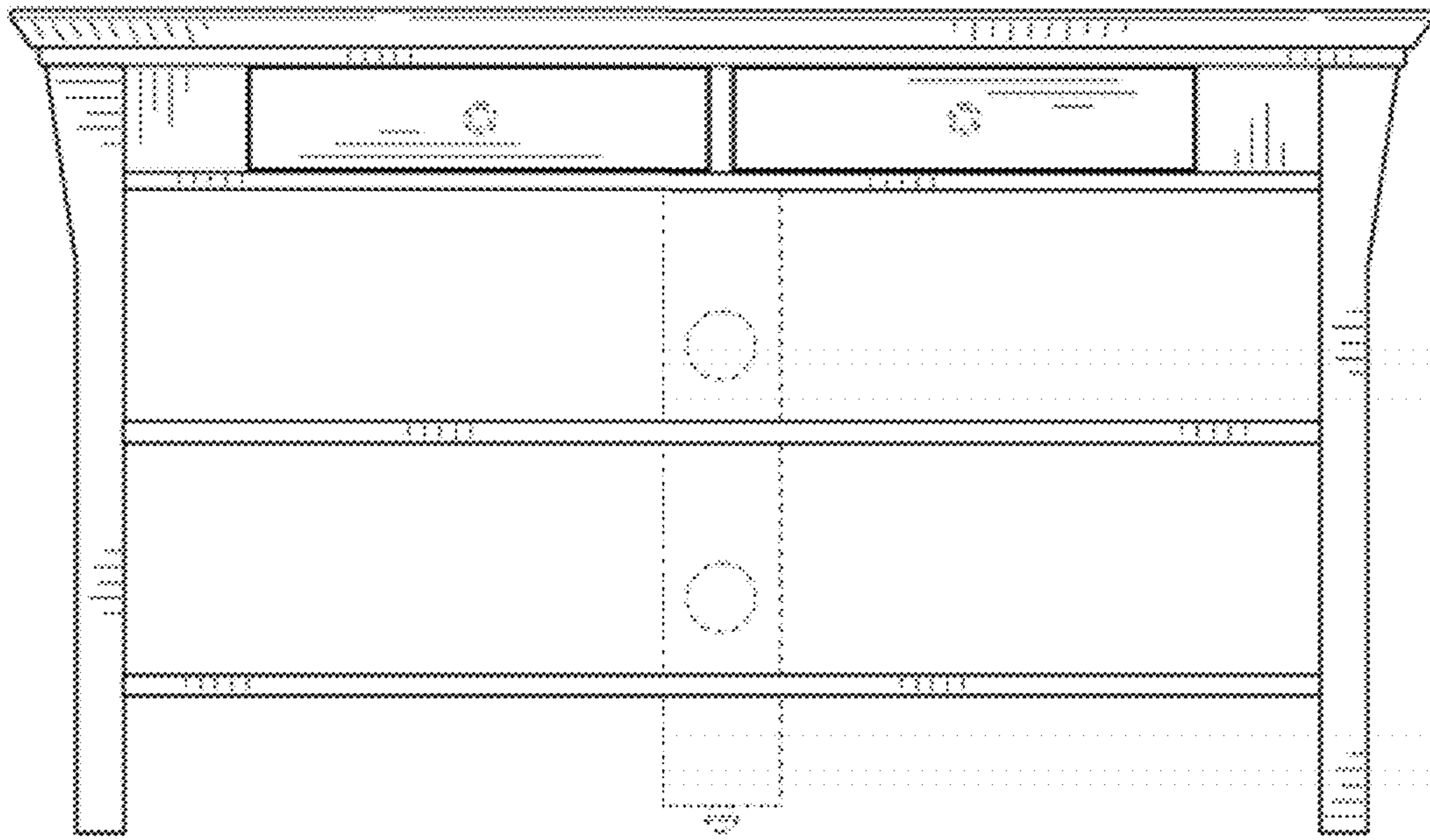


FIG. 2

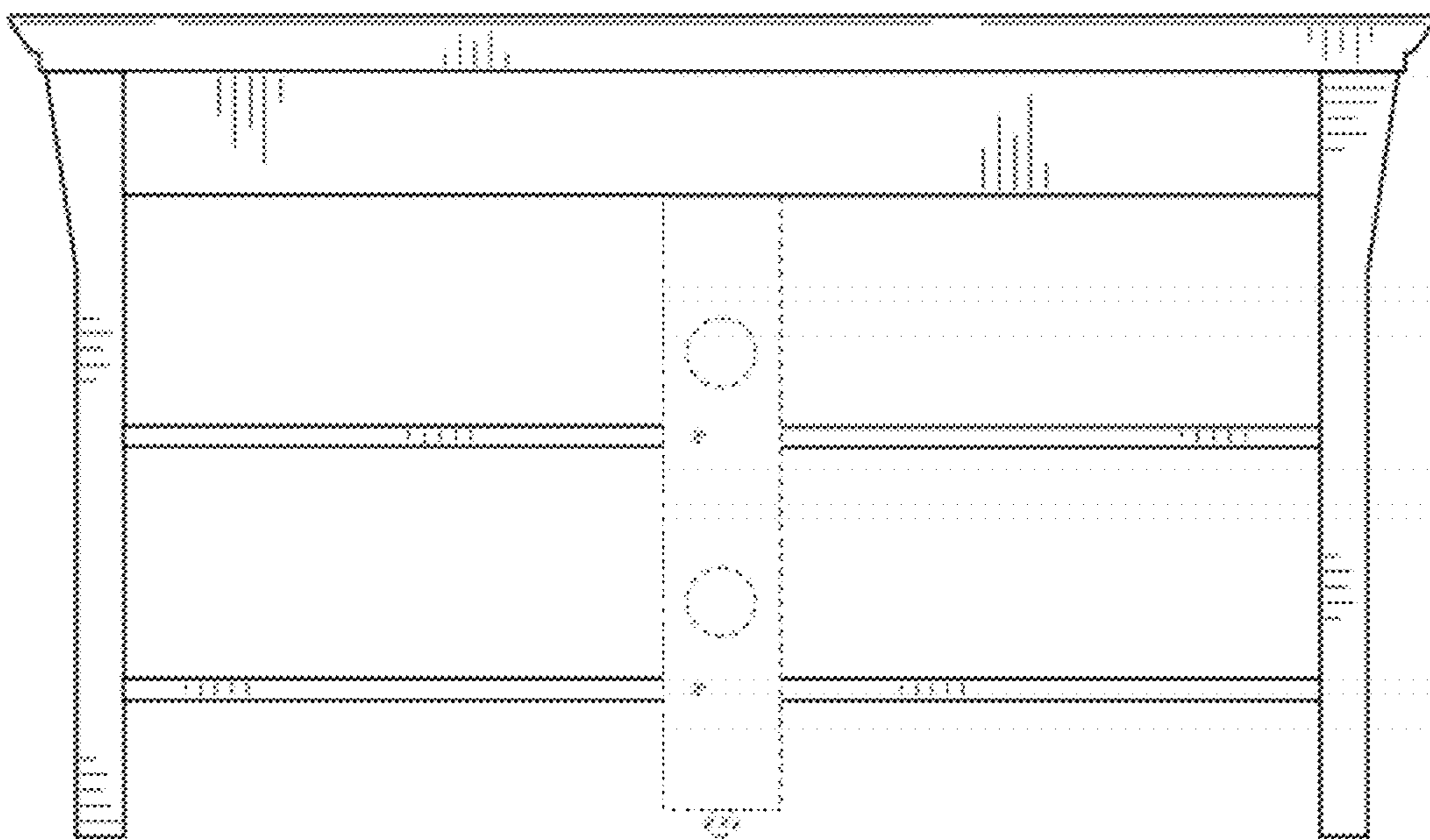


FIG. 3

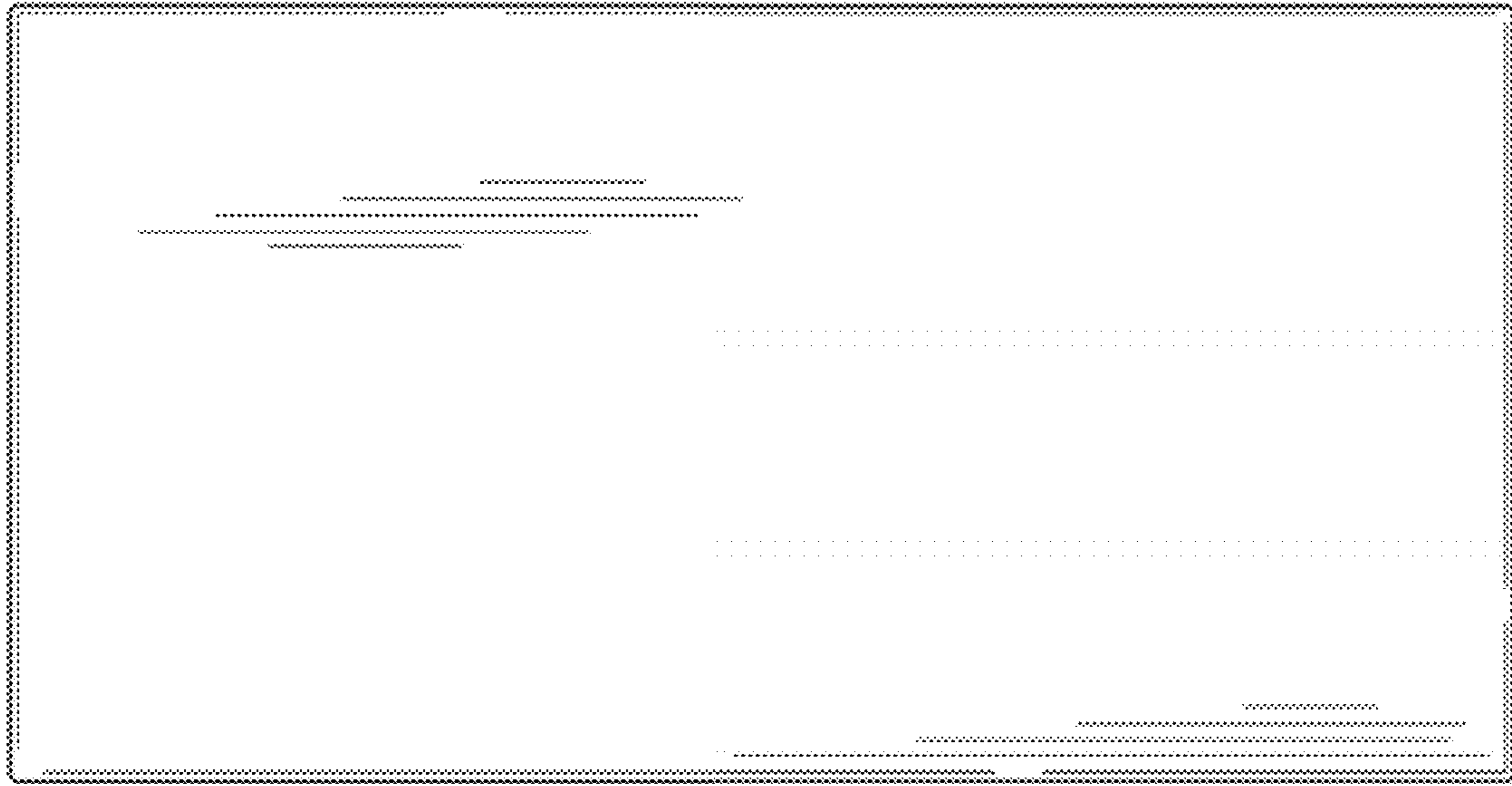


FIG. 4

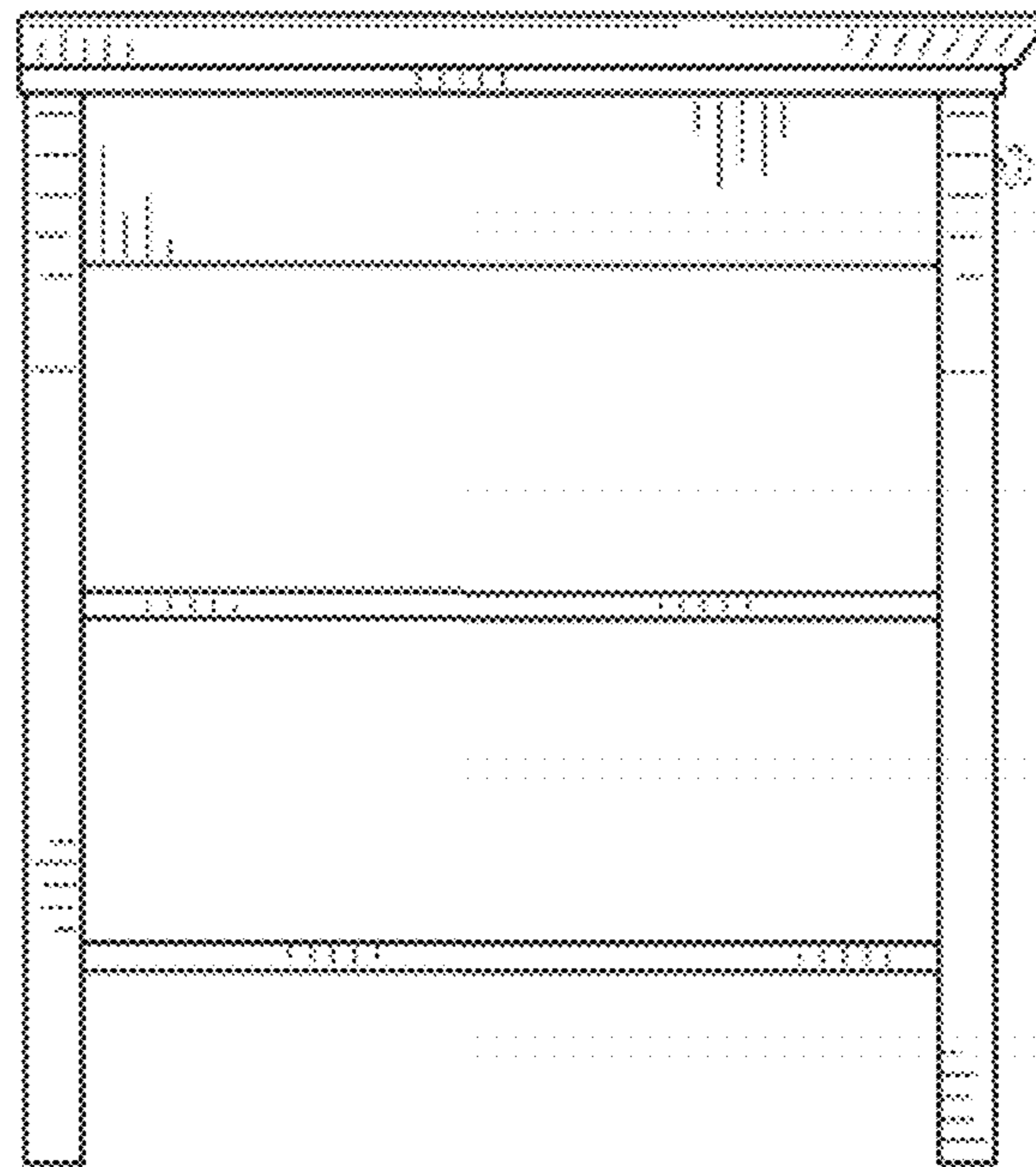


FIG. 5