

US00D669704S

(12) **United States Design Patent**  
**Zambelli**

(10) **Patent No.:** **US D669,704 S**  
(45) **Date of Patent:** **\*\* Oct. 30, 2012**

- (54) **AUDIO VIDEO SHELVING UNIT**
- (75) Inventor: **Michael P. Zambelli**, Basking Ridge, NJ (US)
- (73) Assignee: **Bell'O International Corp.**, Morganville, NJ (US)
- (\*\*) Term: **14 Years**
- (21) Appl. No.: **29/410,119**
- (22) Filed: **Jan. 4, 2012**
- (51) **LOC (9) Cl.** ..... **06-04**
- (52) **U.S. Cl.** ..... **D6/436**
- (58) **Field of Classification Search** ..... D6/432, D6/436, 437, 438, 439, 440-448, 477, 478, D6/479, 480; 312/7.2, 9.1, 138.1, 196, 204, 312/223.1, 237, 257.1, 278, 279  
See application file for complete search history.

- D497,060 S 10/2004 Chang et al.
- D497,061 S 10/2004 Decarolis
- D505,573 S 5/2005 Malizia
- D506,329 S 6/2005 Sexton
- D507,433 S 7/2005 Portnoy
- D507,900 S 8/2005 Sexton
- D508,172 S 8/2005 Malizia et al.
- D515,337 S 2/2006 deCarolis
- D515,849 S 2/2006 Niu
- D516,838 S 3/2006 Portnoy
- D516,840 S 3/2006 deCarolis
- D516,847 S 3/2006 Stenhouse et al.
- D519,757 S 5/2006 Portnoy
- D524,080 S 7/2006 Stenhouse et al.
- D524,578 S 7/2006 Stenhouse et al.
- D525,052 S 7/2006 Malizia et al.

(Continued)

(56) **References Cited**

**U.S. PATENT DOCUMENTS**

- D255,519 S \* 6/1980 Friedman ..... D6/477
- D420,528 S \* 2/2000 Gesing ..... D6/436
- D444,313 S \* 7/2001 Hutton ..... D6/436
- D454,731 S 3/2002 Niitsu et al.
- D458,053 S 6/2002 Luong
- D459,118 S 6/2002 Antonioni
- D462,850 S \* 9/2002 Cain ..... D6/436
- D472,073 S 3/2003 de Carolis
- D472,074 S 3/2003 de Carolis
- D472,075 S 3/2003 de Carolis
- D484,332 S \* 12/2003 Niitsu ..... D6/477
- D489,548 S 5/2004 Malizia et al.
- D491,748 S 6/2004 deCarolis
- D491,749 S 6/2004 Malizia et al.
- D491,750 S 6/2004 Bertoncini et al.
- D491,753 S 6/2004 deCarolis
- D492,860 S 7/2004 Bertoncini et al.
- D493,982 S 8/2004 deCarolis
- D496,807 S 10/2004 deCarolis

**OTHER PUBLICATIONS**

Bell'O 2011-12 Product Catalog.

*Primary Examiner* — Mimosa De

(74) *Attorney, Agent, or Firm* — Lerner, David, Littenberg, Krumholz & Mentlik, LLP

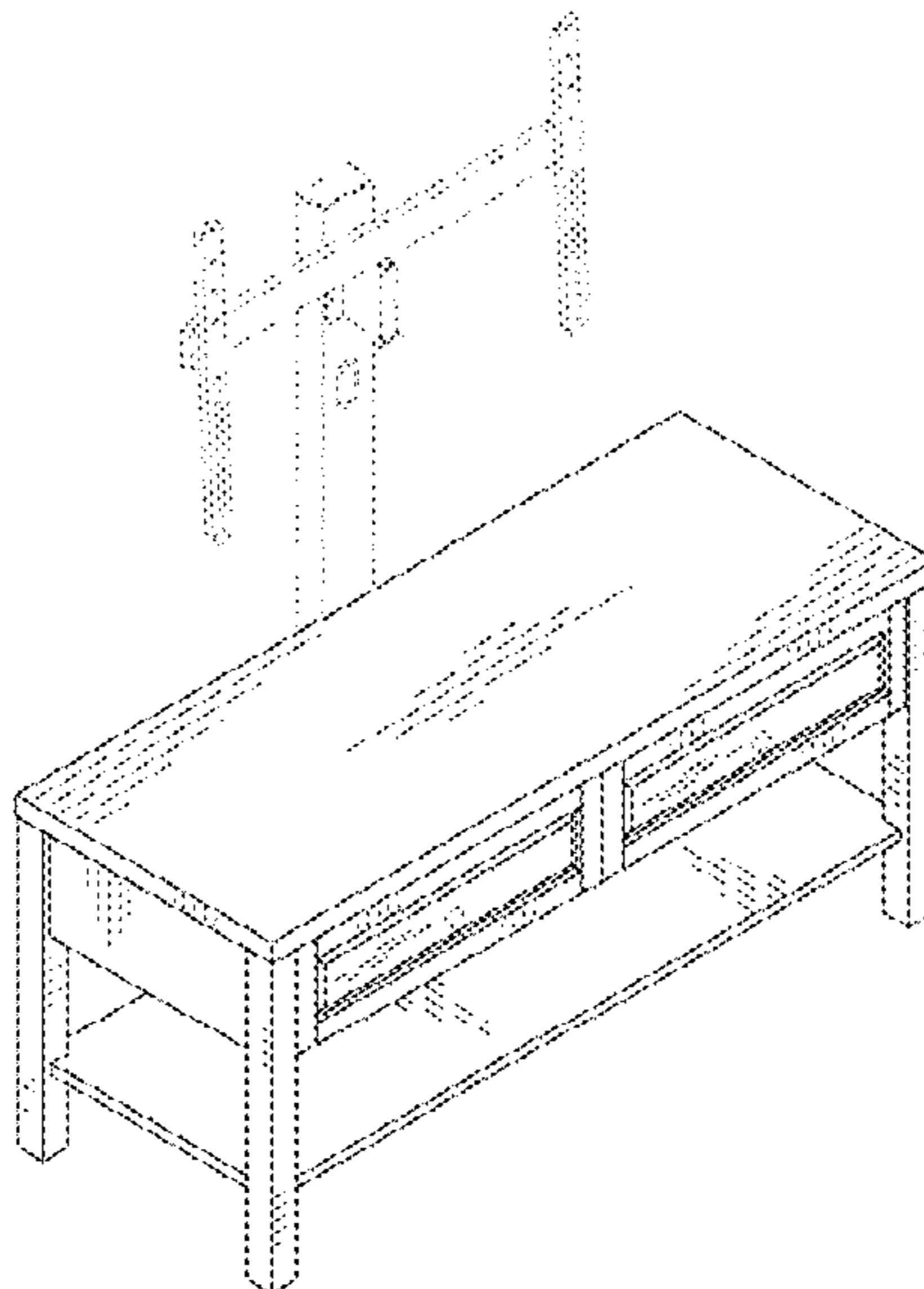
(57) **CLAIM**

The ornamental design for audio video shelving unit, as shown and described.

**DESCRIPTION**

FIG. 1 is a front perspective view of the subject audio video shelving unit;  
 FIG. 2 is a front view thereof;  
 FIG. 3 is a rear view thereof;  
 FIG. 4 is a top plan view thereof; and,  
 FIG. 5 is a right side view thereof (the left side view is a mirror image of the right side view).  
 The broken lines shown on the drawings are included for the purpose of illustration and form no part of the claimed design.

**1 Claim, 5 Drawing Sheets**



# US D669,704 S

Page 2

## U.S. PATENT DOCUMENTS

D525,054 S	7/2006	Stenhouse et al.	
D527,208 S	8/2006	Malizia et al.	
D530,545 S	* 10/2006	Domack et al. ....	D6/480
D535,497 S	1/2007	Portnoy	
D537,656 S	3/2007	Stenhouse et al.	
D540,067 S	4/2007	Chung	
D542,059 S	5/2007	Moyle et al.	
D543,729 S	6/2007	Weatherly	
D549,991 S	9/2007	Stravitz	
D554,393 S	11/2007	Yalif	
D555,397 S	11/2007	Yalif	
D559,583 S	1/2008	Zambelli	
D559,584 S	1/2008	Zambelli	
D560,077 S	1/2008	Zambelli	
D560,401 S	1/2008	Hoglan et al.	
D562,593 S	2/2008	Zambelli	
D563,695 S	3/2008	Yamaguchi	
D564,260 S	3/2008	deCarolis	
D564,261 S	3/2008	Sculler	
D564,789 S	3/2008	deCarolis	
D564,796 S	3/2008	Zambelli	
D564,797 S	3/2008	Yamaguchi	
D587,483 S	3/2009	Zambelli	
D587,496 S	3/2009	Weitz	
D587,497 S	3/2009	Zambelli	
D589,280 S	3/2009	Zambelli	
D590,636 S	4/2009	Ou Yang et al.	
D590,637 S	4/2009	Portnoy	
D592,428 S	5/2009	Zambelli	
D594,248 S	6/2009	Zambelli	
D595,978 S	7/2009	Portnoy et al.	
D599,584 S	9/2009	Zambelli	
D604,251 S	11/2009	Hwang	
D605,874 S	12/2009	Zambelli	
D610,836 S	3/2010	Kohler	
D612,172 S	3/2010	Portnoy	
D612,634 S	3/2010	Zambelli	
D616,672 S	6/2010	Sculler et al.	
D619,827 S	7/2010	Sculler et al.	
D619,828 S	7/2010	Connor et al.	
D620,278 S	7/2010	Zambelli	
D620,284 S	7/2010	Zambelli	
D620,285 S	7/2010	Sculler et al.	
D623,442 S	9/2010	Zambelli	
D623,443 S	9/2010	Zambelli	
D623,876 S	9/2010	Zambelli	
D623,877 S	9/2010	Zambelli	
D625,123 S	10/2010	Zambelli	
D641,183 S	7/2011	Portnoy	
D641,995 S	7/2011	Zambelli	
D643,649 S	8/2011	Chung	
D644,043 S	8/2011	Portnoy	
D644,454 S	9/2011	Chung	
D646,910 S	10/2011	Portnoy	
D648,573 S	11/2011	Sculler	

\* cited by examiner

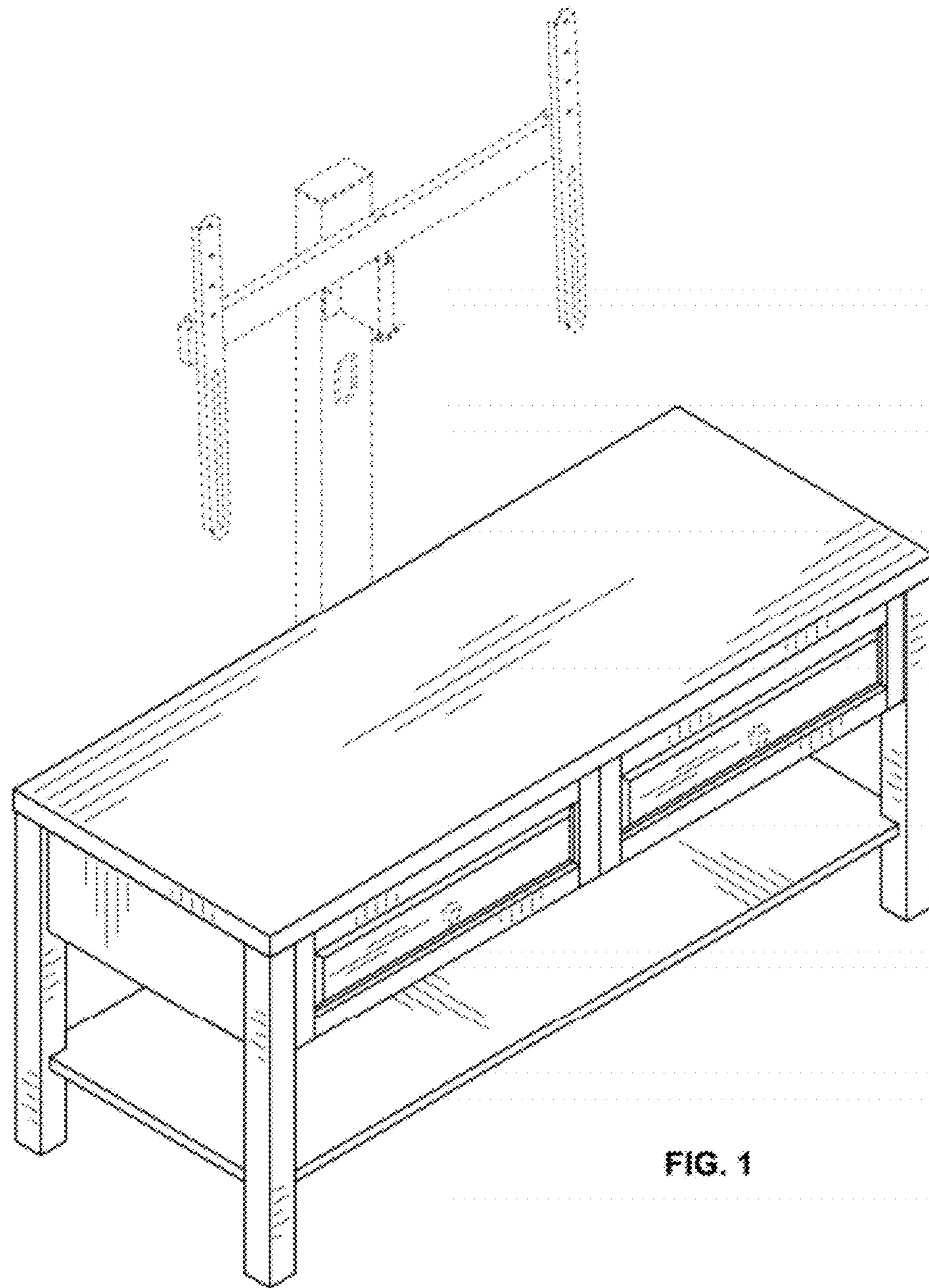


FIG. 1

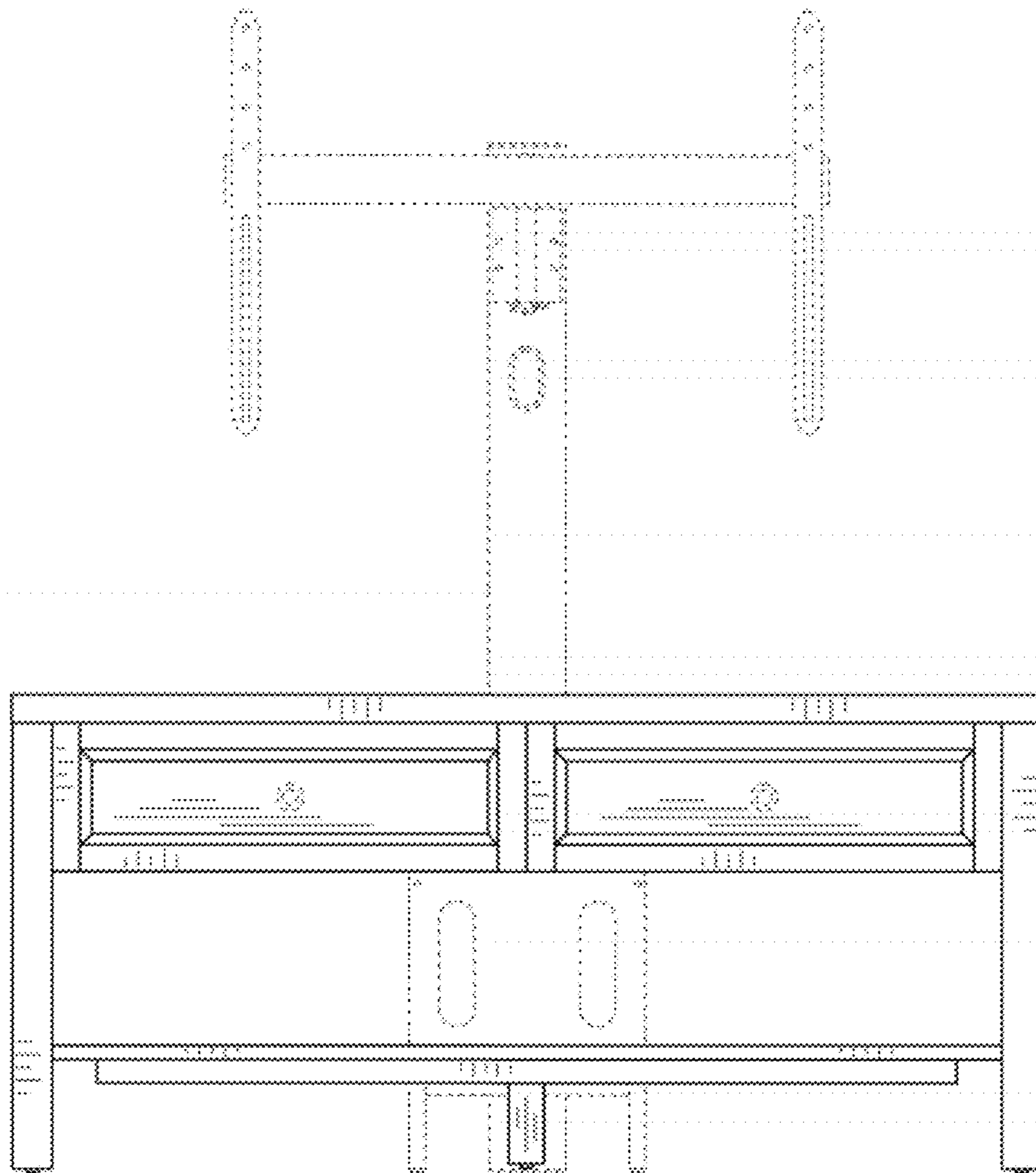


FIG. 2



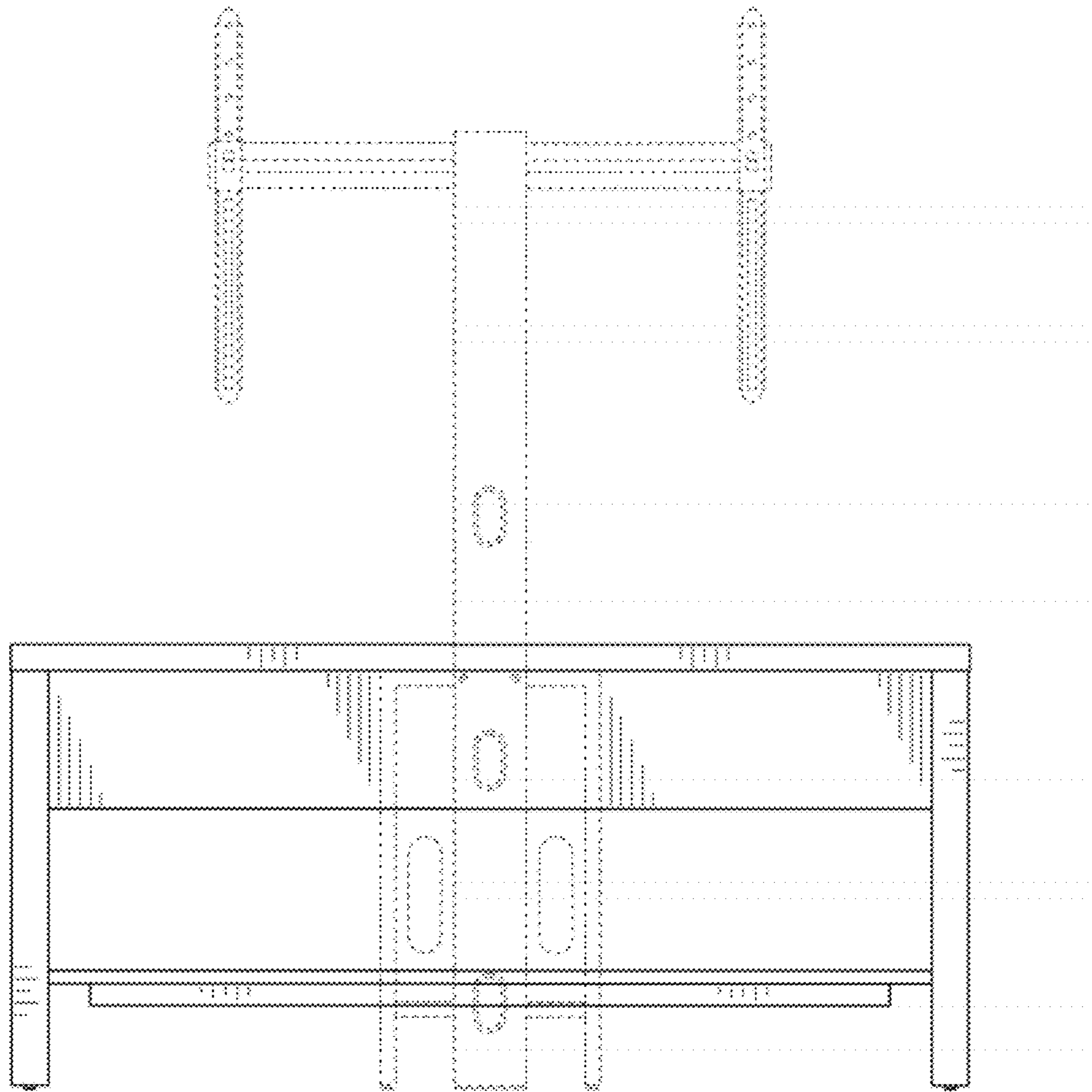


FIG. 3

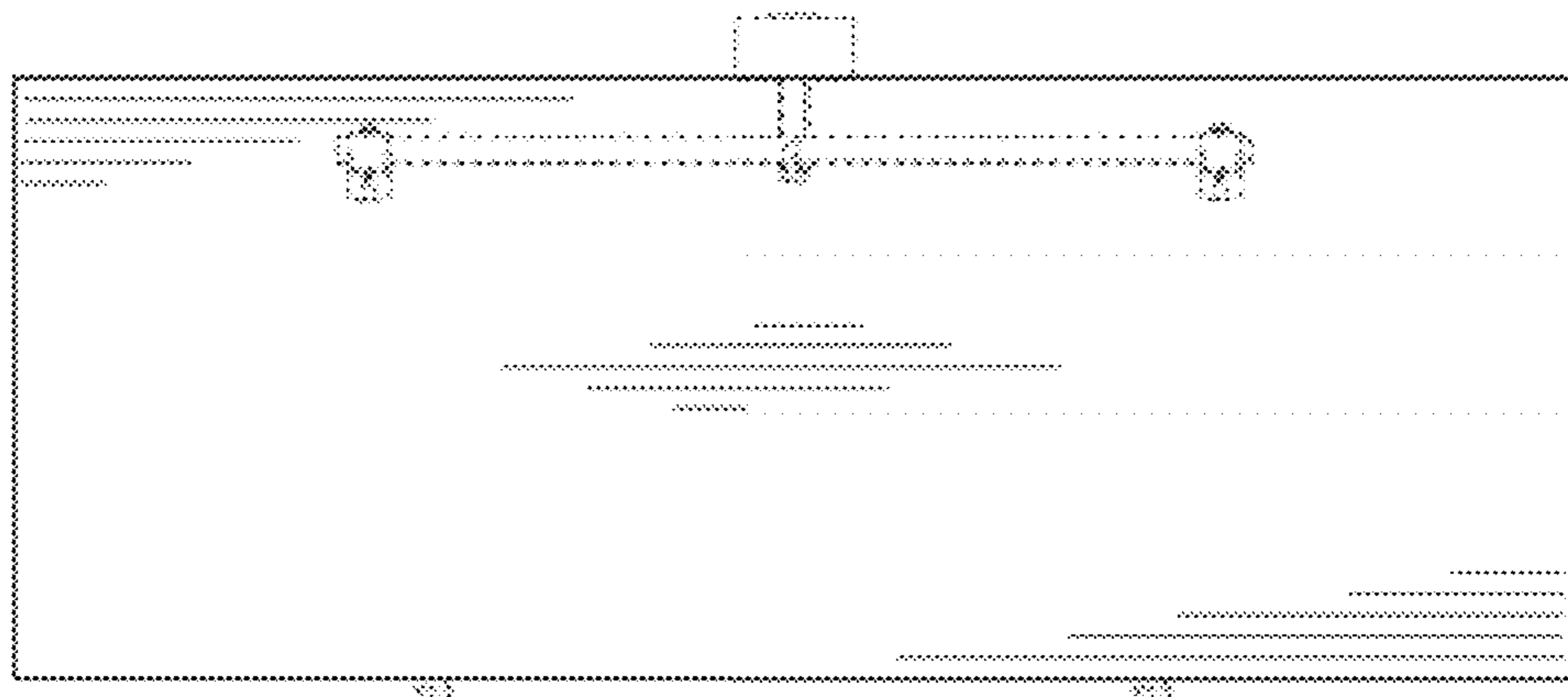


FIG. 4

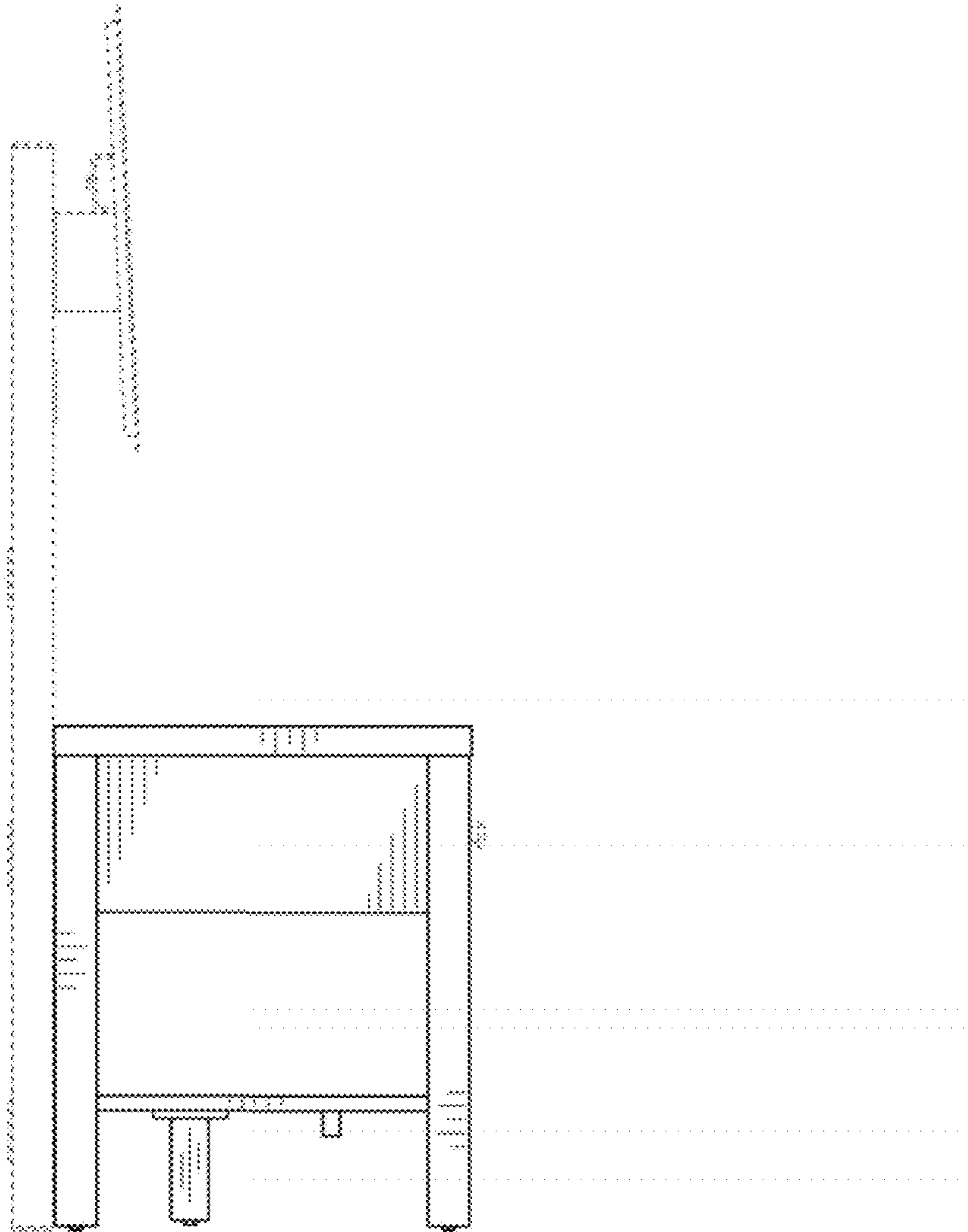


FIG. 5