



US00D669702S

(12) **United States Design Patent**
Barefoot

(10) **Patent No.:** **US D669,702 S**

(45) **Date of Patent:** **** Oct. 30, 2012**

(54) **SEATING UNIT**

(75) Inventor: **James Eric Barefoot**, Winston-Salem, NC (US)

(73) Assignee: **Beaufurn, LLC**, Advance, NC (US)

(**) Term: **14 Years**

(21) Appl. No.: **29/394,367**

(22) Filed: **Jun. 16, 2011**

(51) **LOC (9) Cl.** **06-01**

(52) **U.S. Cl.** **D6/378**

(58) **Field of Classification Search** D6/334-336,
D6/364, 371-373, 374, 375, 377, 378, 381,
D6/500-502; 297/232, 233, 448.2, 451.8,
297/452.17, 452.19

See application file for complete search history.

(56) **References Cited**

U.S. PATENT DOCUMENTS

D130,795 S	*	12/1941	Eppenstein	D6/364
D247,009 S	*	1/1978	Schoblom et al.	D6/378
D259,600 S	*	6/1981	Marks	D6/378
D262,166 S	*	12/1981	Aronowitz et al.	D6/378
D262,421 S	*	12/1981	Aronowitz et al.	D6/364
D336,172 S	*	6/1993	Gibson	D6/378
D521,760 S	*	5/2006	Auberger	D6/378

D605,868 S * 12/2009 Holbrook D6/378

* cited by examiner

Primary Examiner — Mimoso De

(74) *Attorney, Agent, or Firm* — MacCord Mason PLLC

(57) **CLAIM**

The ornamental design for a seating unit, as shown and described.

DESCRIPTION

FIG. 1 is a front perspective view of a seating unit of a first embodiment showing my new design;

FIG. 2 is a right side elevational view thereof;

FIG. 3 is a left front elevational view thereof;

FIG. 4 is one of the two back sides, the other back side being substantially identical;

FIG. 5 is a front perspective view of a second embodiment;

FIG. 6 is a right side elevational view of a second embodiment;

FIG. 7 is a left front elevational view of a second embodiment;

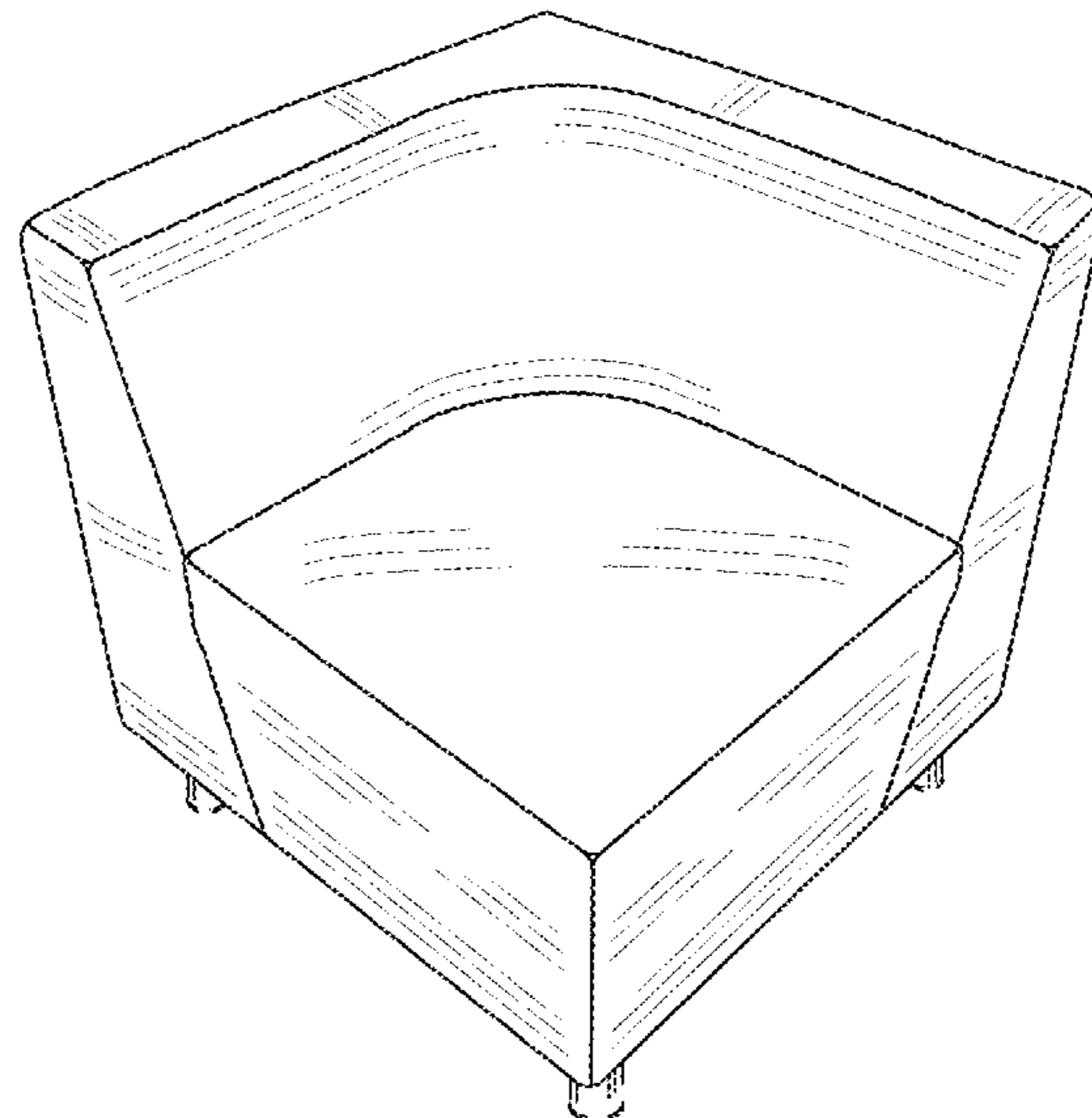
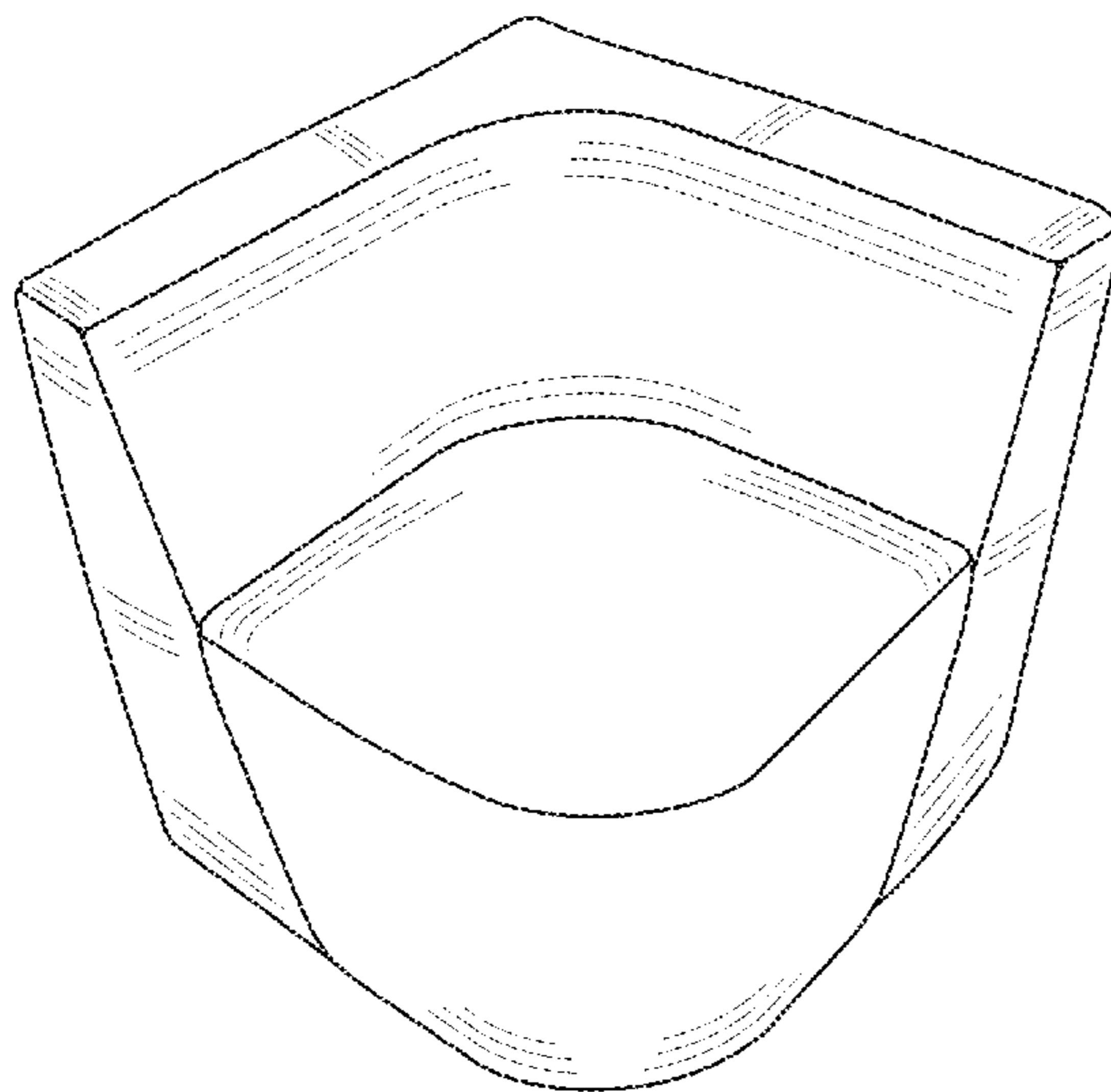
FIG. 8 is one of the two back sides of the second embodiment, the other back side view being substantially identical;

FIG. 9 is a top view of the seating units shown in use; and,

FIG. 10 is a top view of the seating units shown in a second use.

The elements shown in dotted lines for environmental purposes only and form no part of the claimed design.

1 Claim, 6 Drawing Sheets



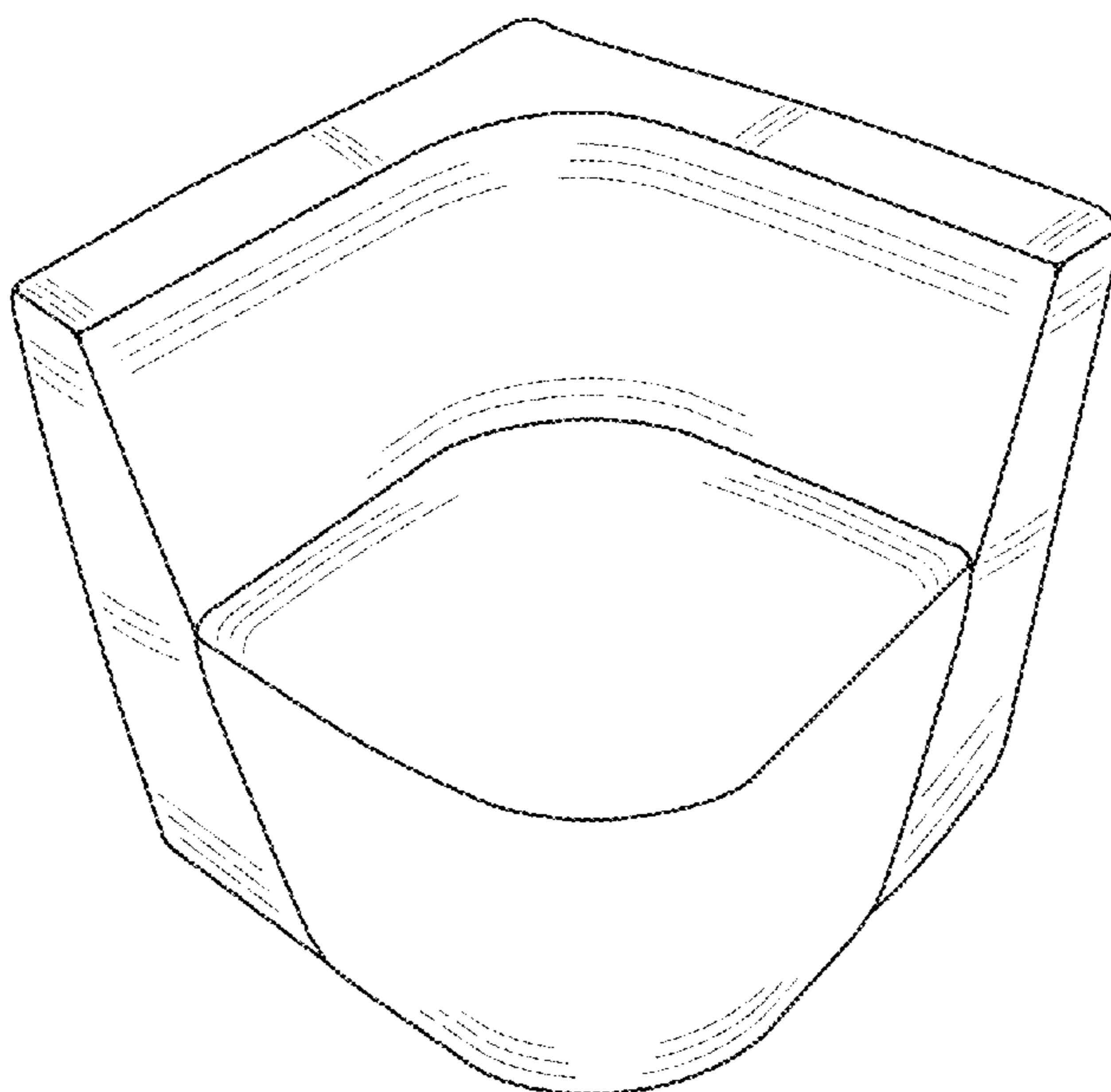


FIG. 1

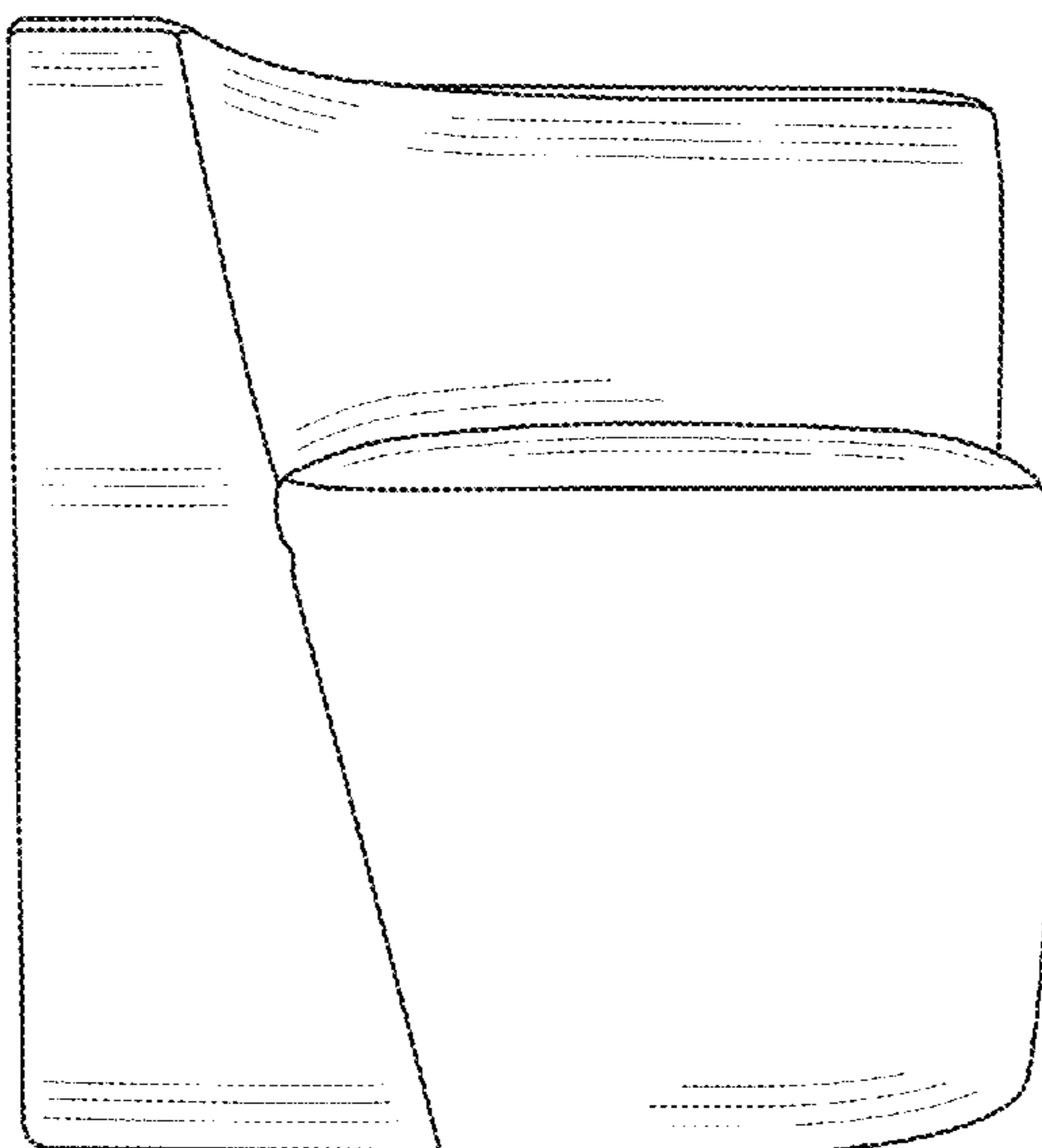


FIG. 2

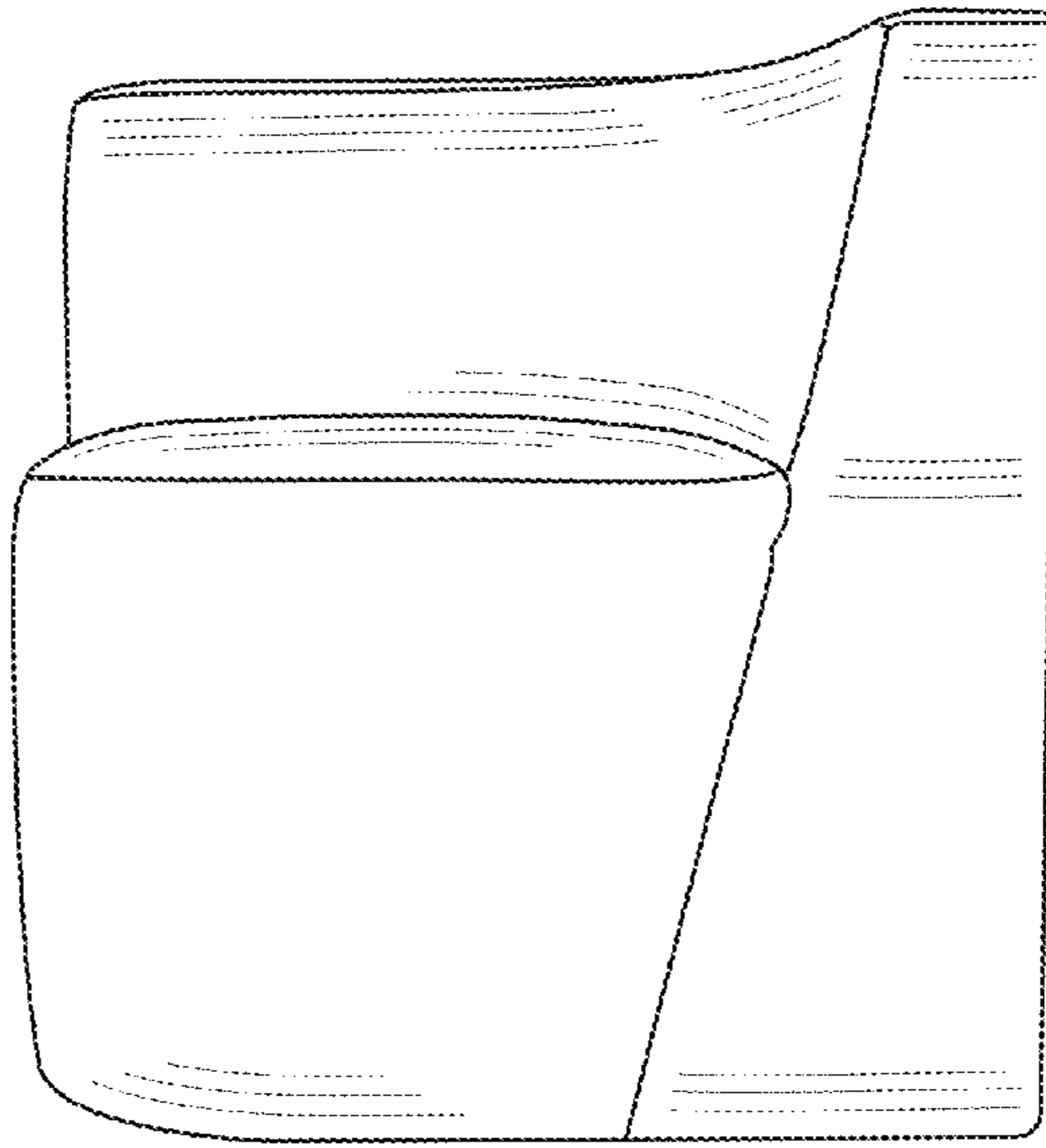


FIG. 3

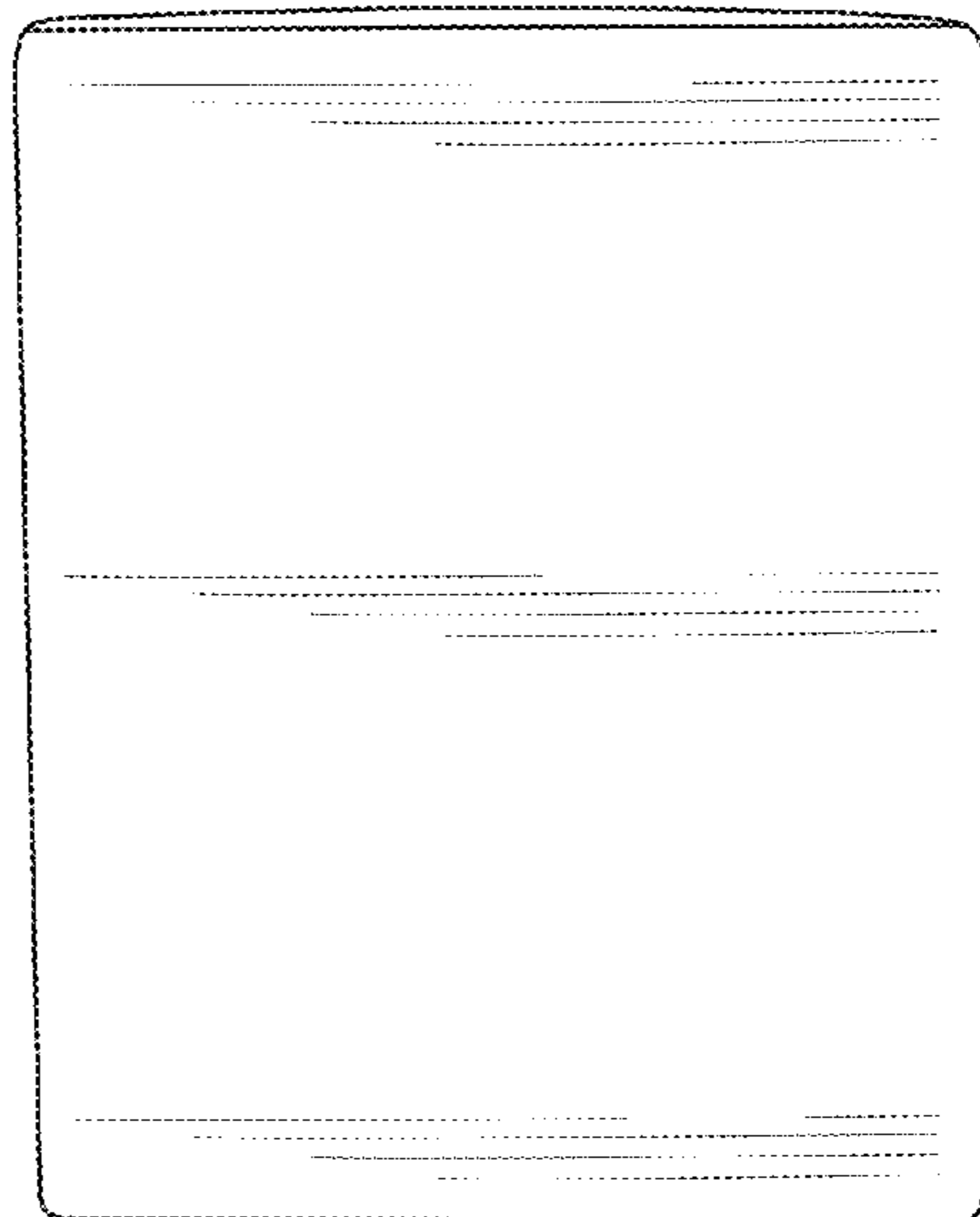


FIG. 4

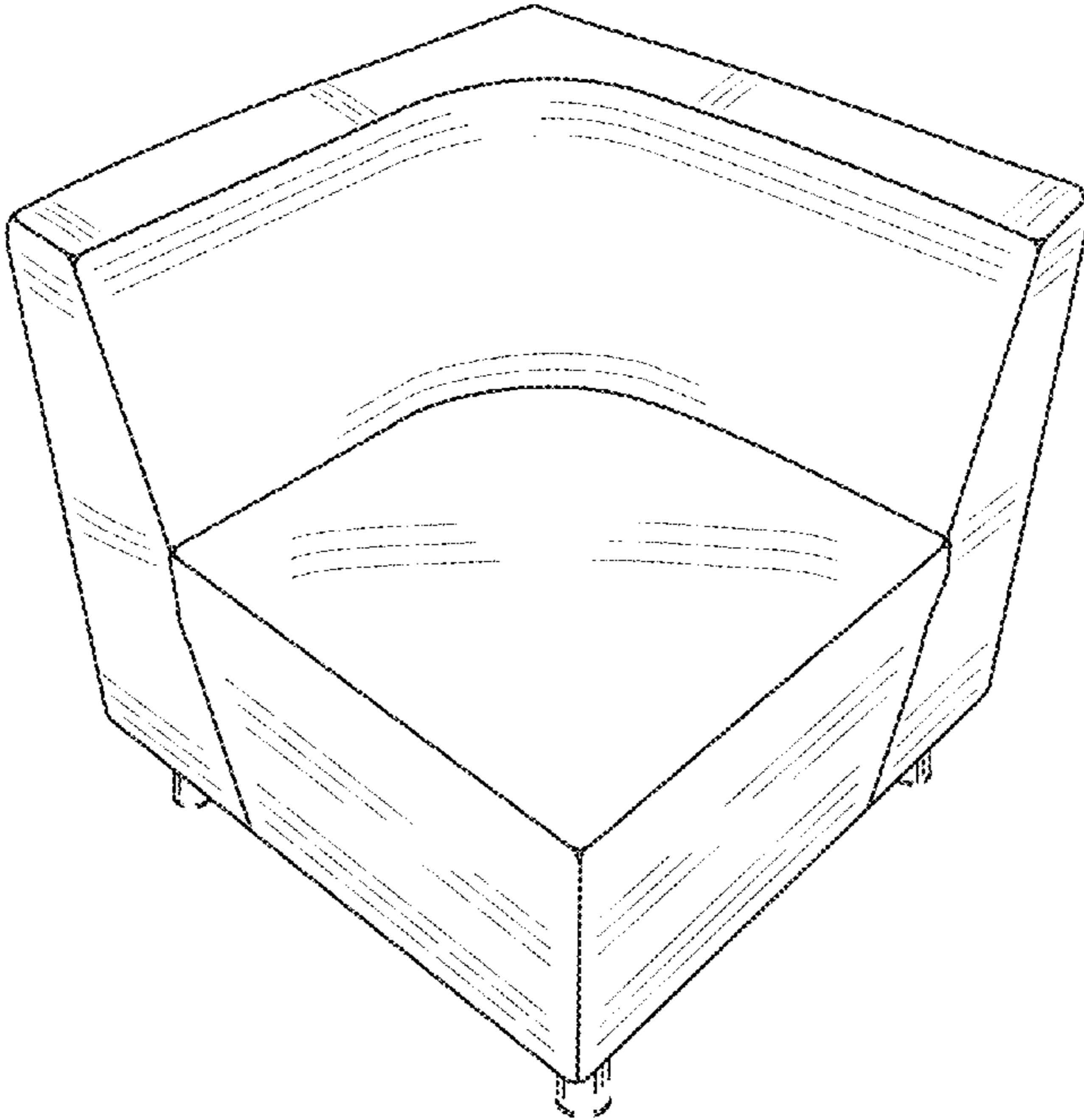


FIG. 5

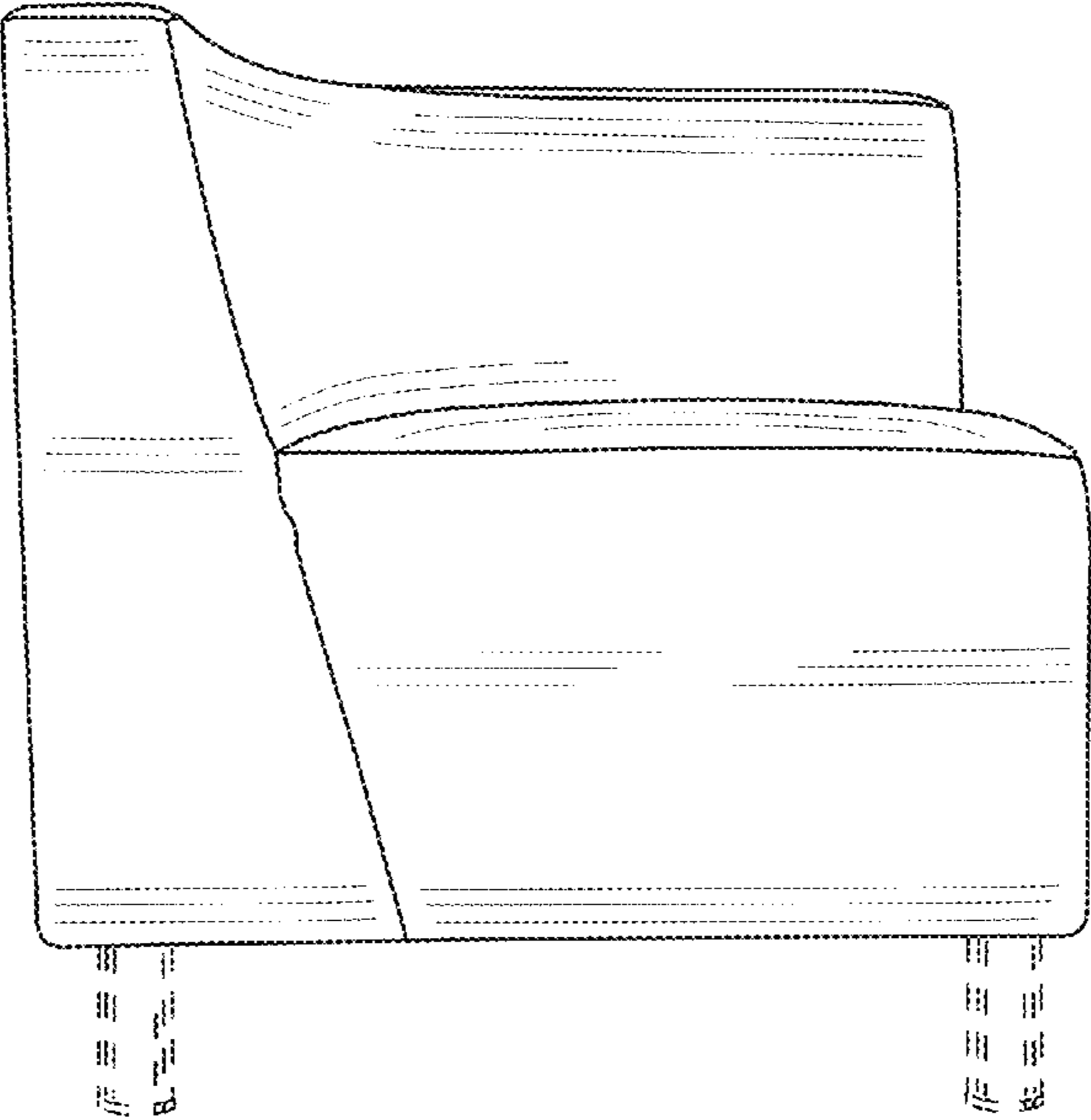


FIG. 6

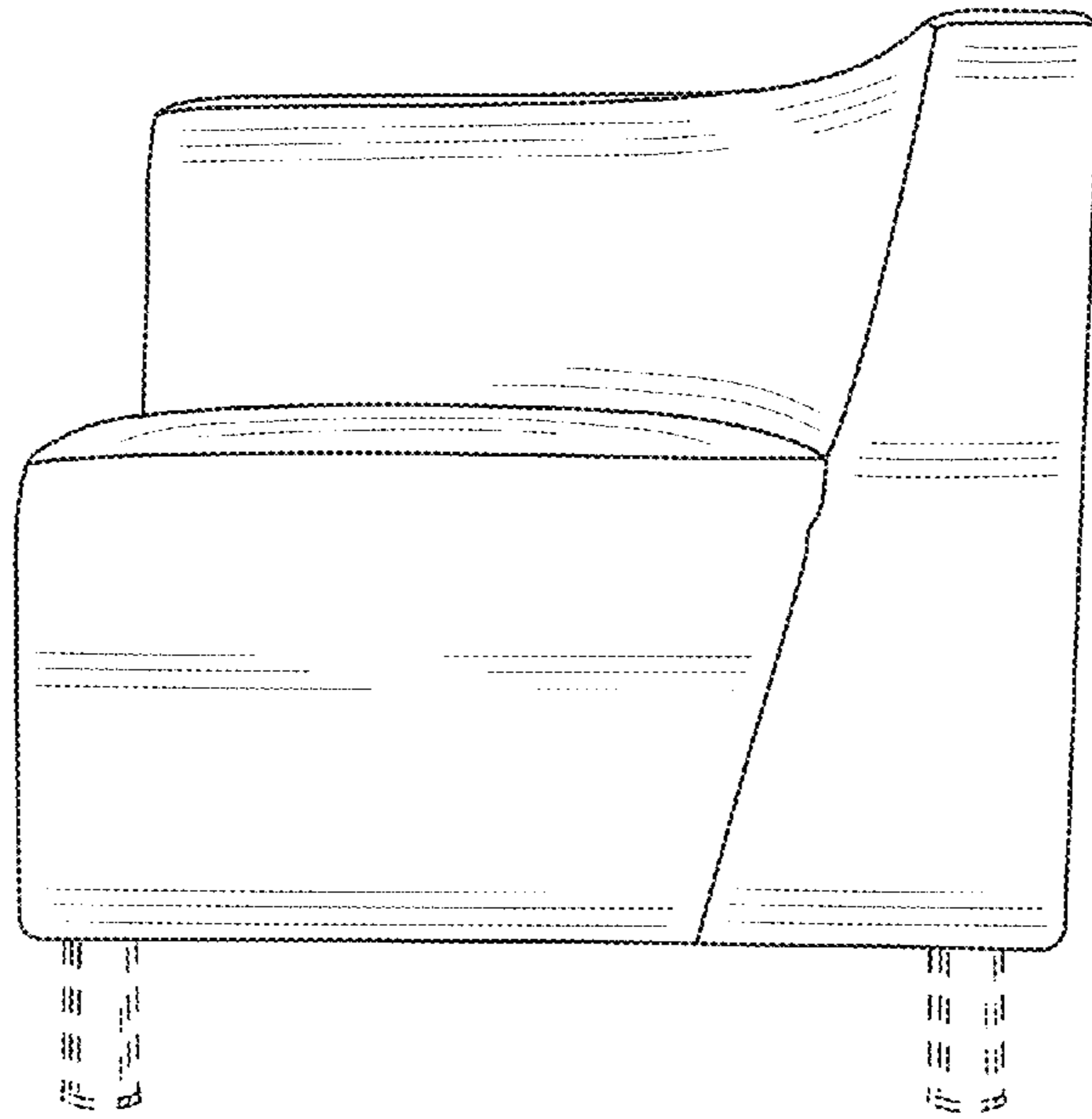


FIG. 7

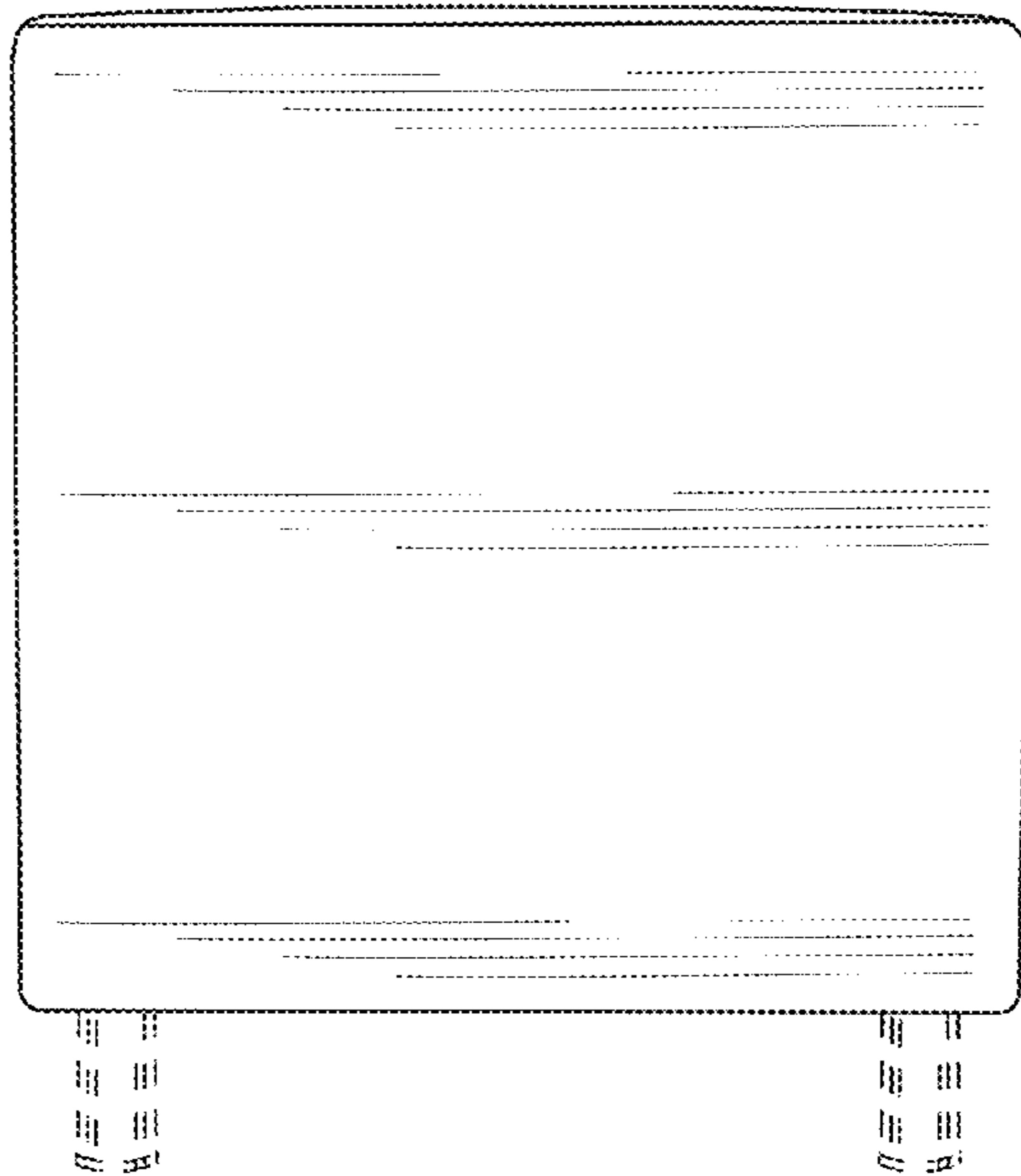


FIG. 8

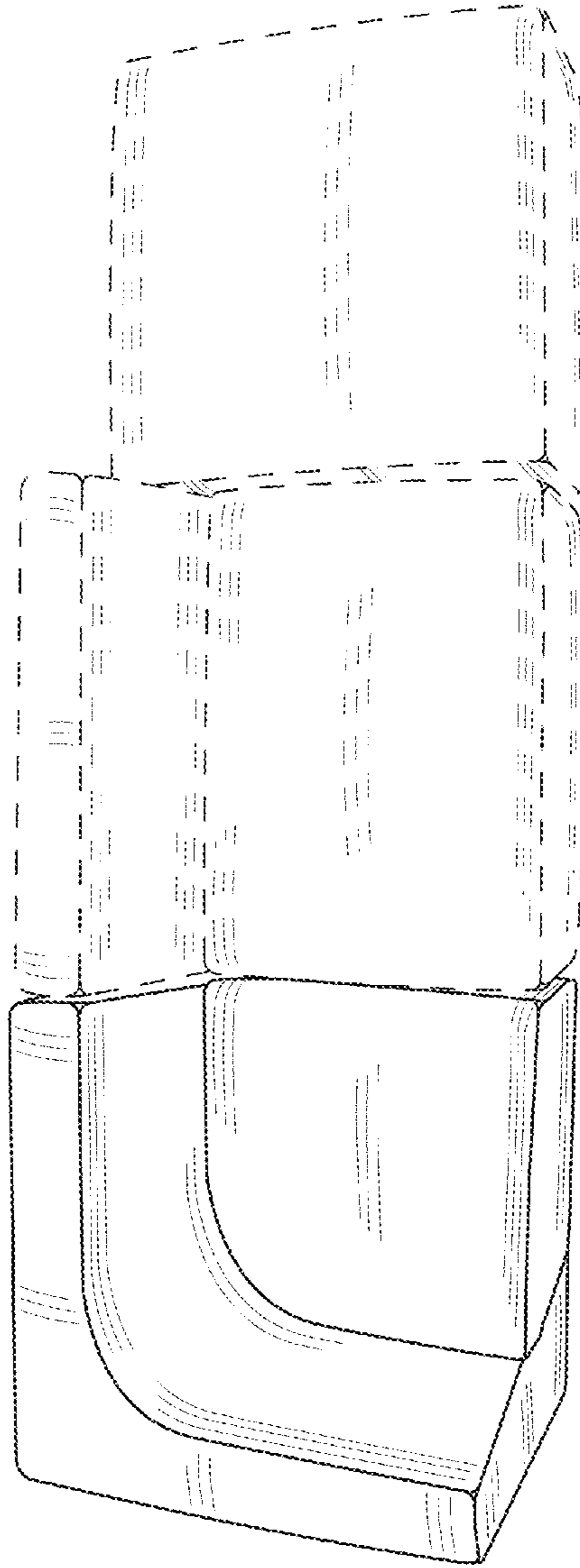


FIG. 9

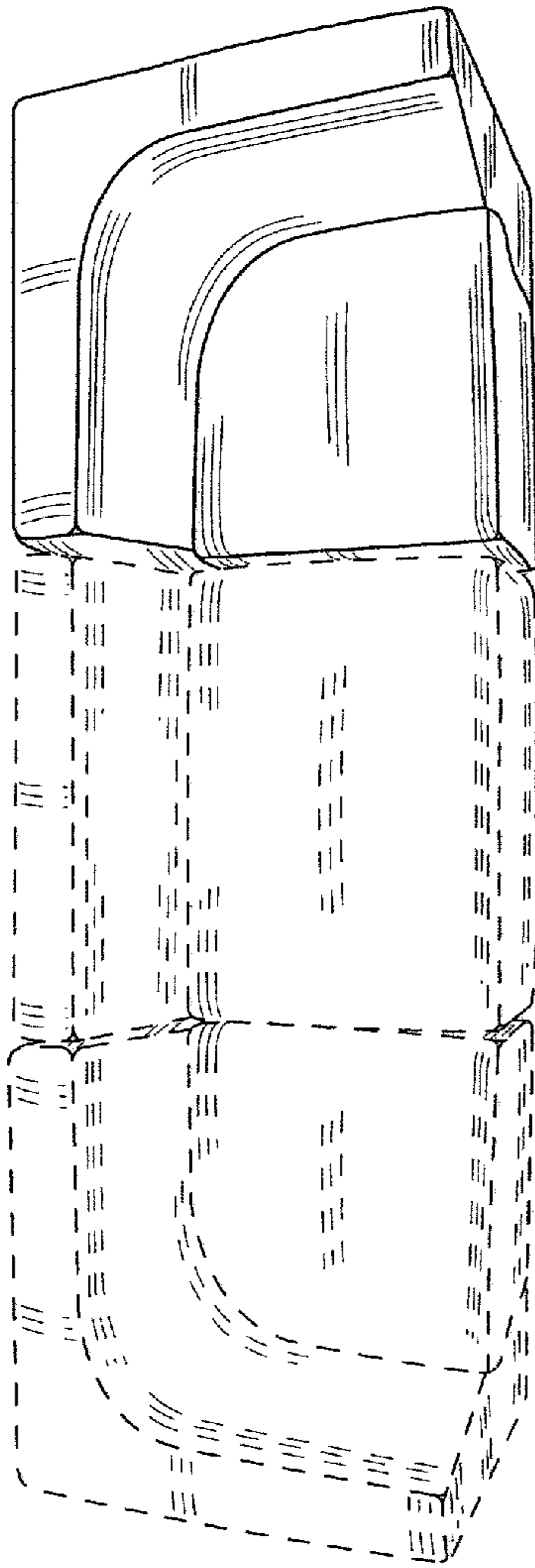


FIG. 10