



US00D669697S

(12) **United States Design Patent**
Lade

(10) **Patent No.:** **US D669,697 S**
(45) **Date of Patent:** **** Oct. 30, 2012**

(54) **FOOTSTOOL WITH EXPOSED TABLE PLATE**

D328,507 S * 8/1992 Campbell D32/53
D627,982 S * 11/2010 Shen D6/349
D629,222 S * 12/2010 Kay D6/349

(75) Inventor: **Jan Lade**, Ikornnes (NO)

* cited by examiner

(73) Assignee: **Ekornes ASA**, Ikornnes (NO)

Primary Examiner — Sandra Snapp

(**) Term: **14 Years**

(74) *Attorney, Agent, or Firm* — Schneck & Schneck;
Thomas Schneck

(21) Appl. No.: **29/411,751**

(57) **CLAIM**

(22) Filed: **Jan. 25, 2012**

I claim the ornamental design for a footstool with exposed table plate, as shown.

(30) **Foreign Application Priority Data**

DESCRIPTION

Aug. 26, 2011 (NO) 20110703

(51) **LOC (9) Cl.** **06-01**

(52) **U.S. Cl.** **D6/349**

(58) **Field of Classification Search** D6/335,
D6/340, 349–355, 495, 500–502; 297/16.1,
297/175, 187, 195.1, 423.1, 423.11, 423.14,
297/423.16, 461, 462

See application file for complete search history.

FIG. 1 is a front left perspective view for a footstool with exposed table plate of my design;
FIG. 2 is a front right perspective view thereof;
FIG. 3 is a rear left perspective view thereof;
FIG. 4 is a rear right perspective view thereof;
FIG. 5 is a front elevational view thereof;
FIG. 6 is a rear elevational view thereof;
FIG. 7 is a top view thereof;
FIG. 8 is a bottom view thereof; and,
FIG. 9 is a left side elevational view thereof, the right side being a mirror image.

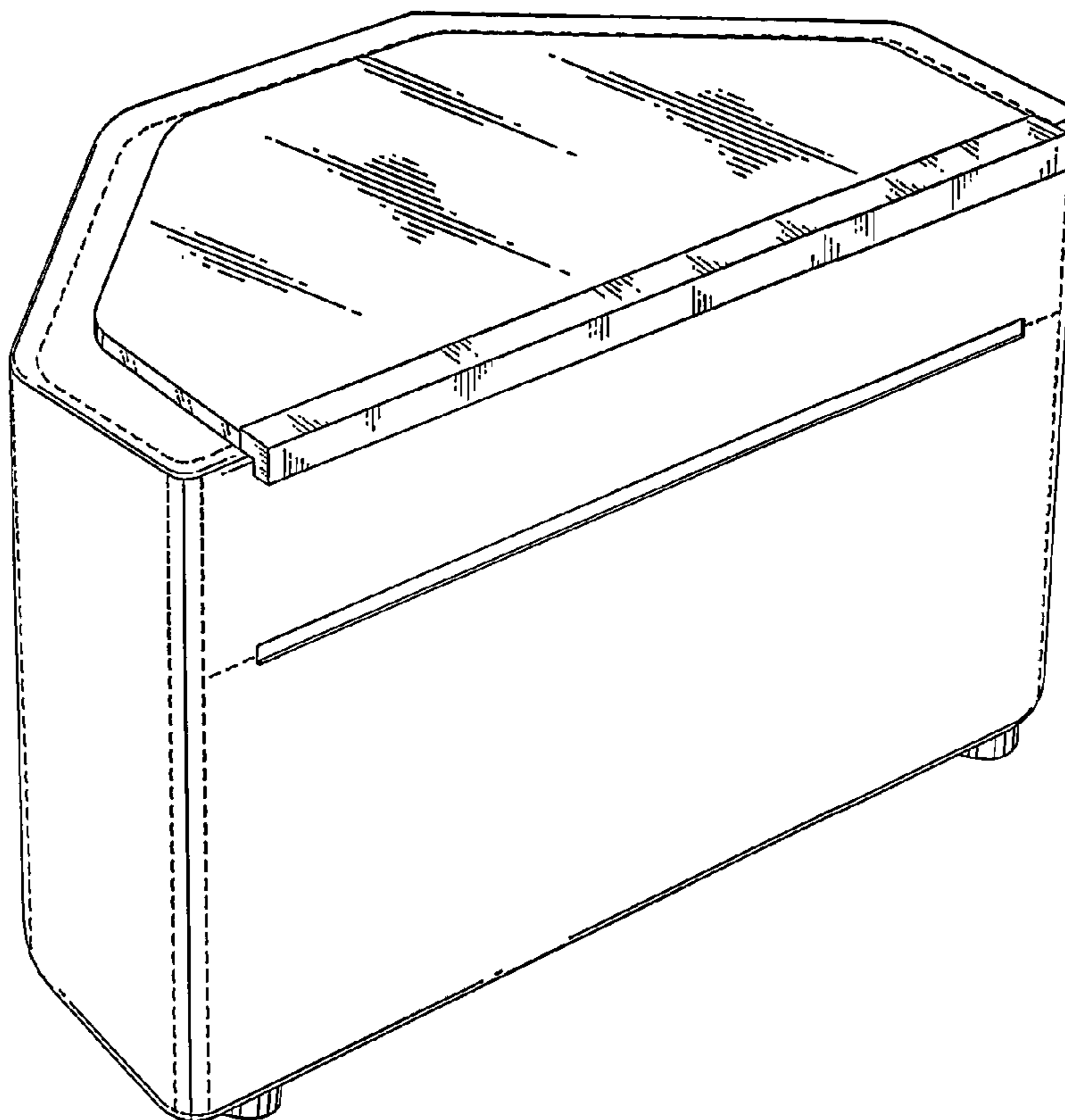
(56) **References Cited**

The dotted lines represent stitched seams that are part of the design.

U.S. PATENT DOCUMENTS

D168,001 S * 10/1952 Sachs D6/349
3,191,554 A * 6/1965 Zierhut 108/118
D248,697 S * 8/1978 Miller D6/349

1 Claim, 5 Drawing Sheets



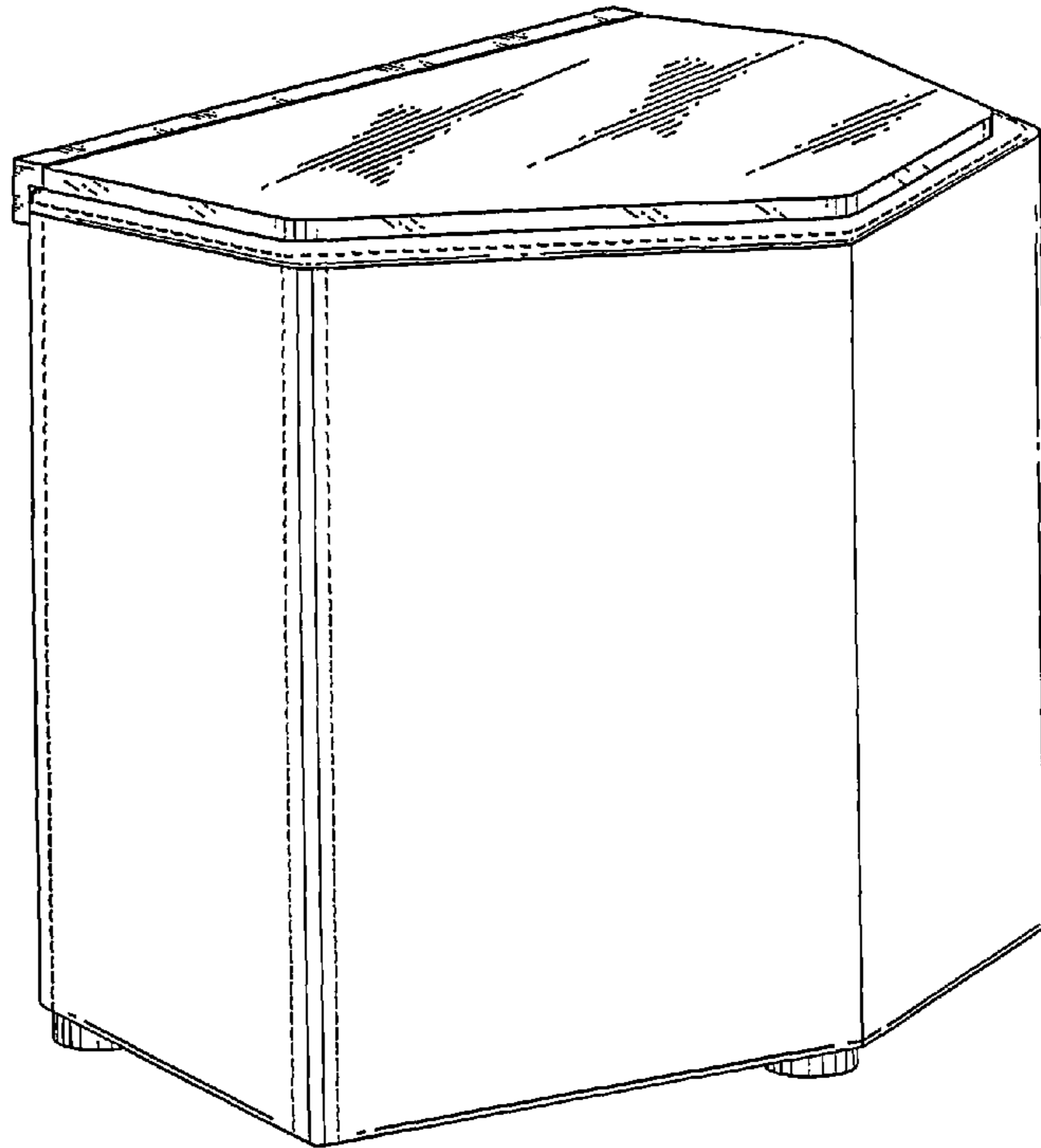


Fig. 1

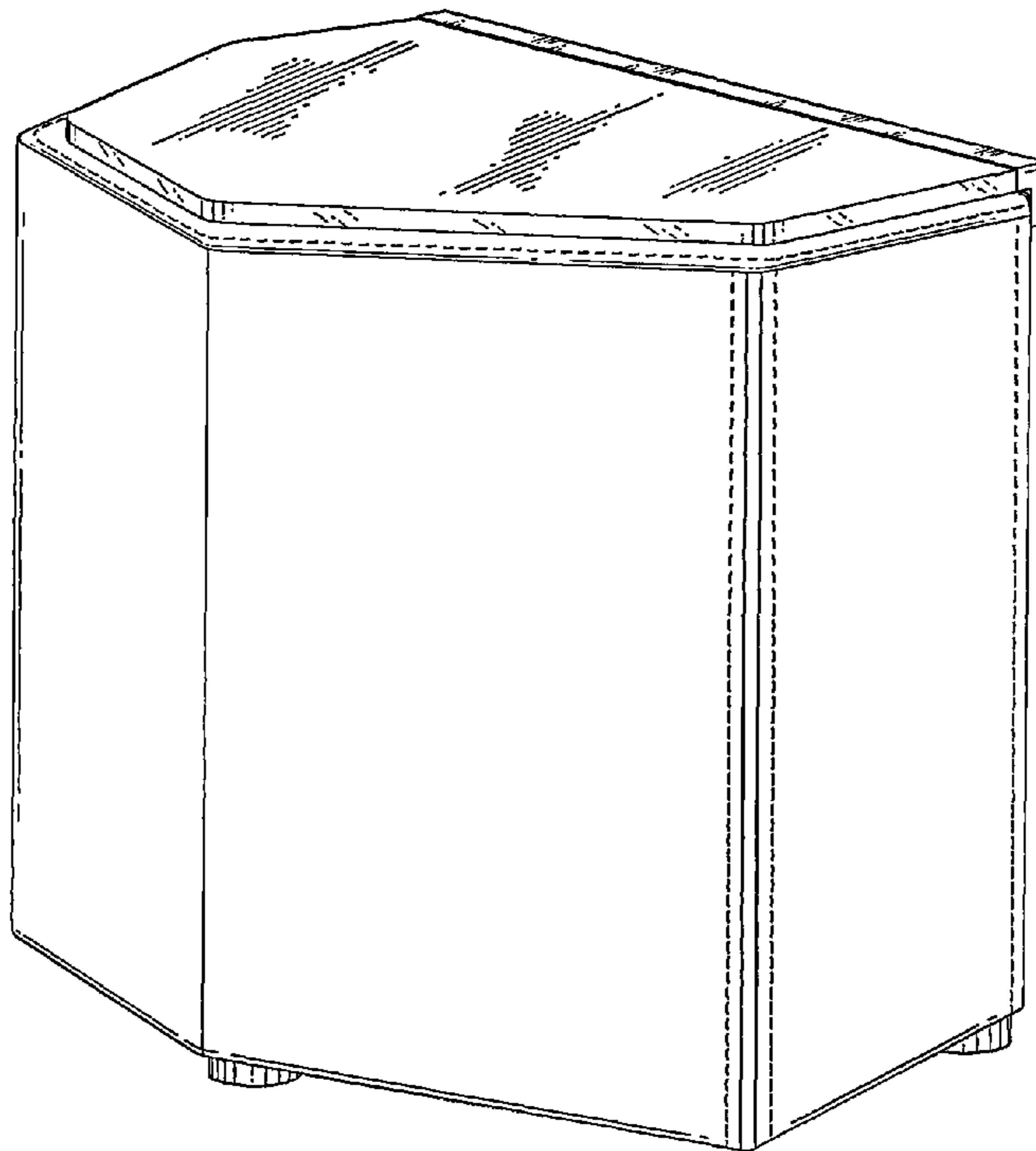


Fig. 2

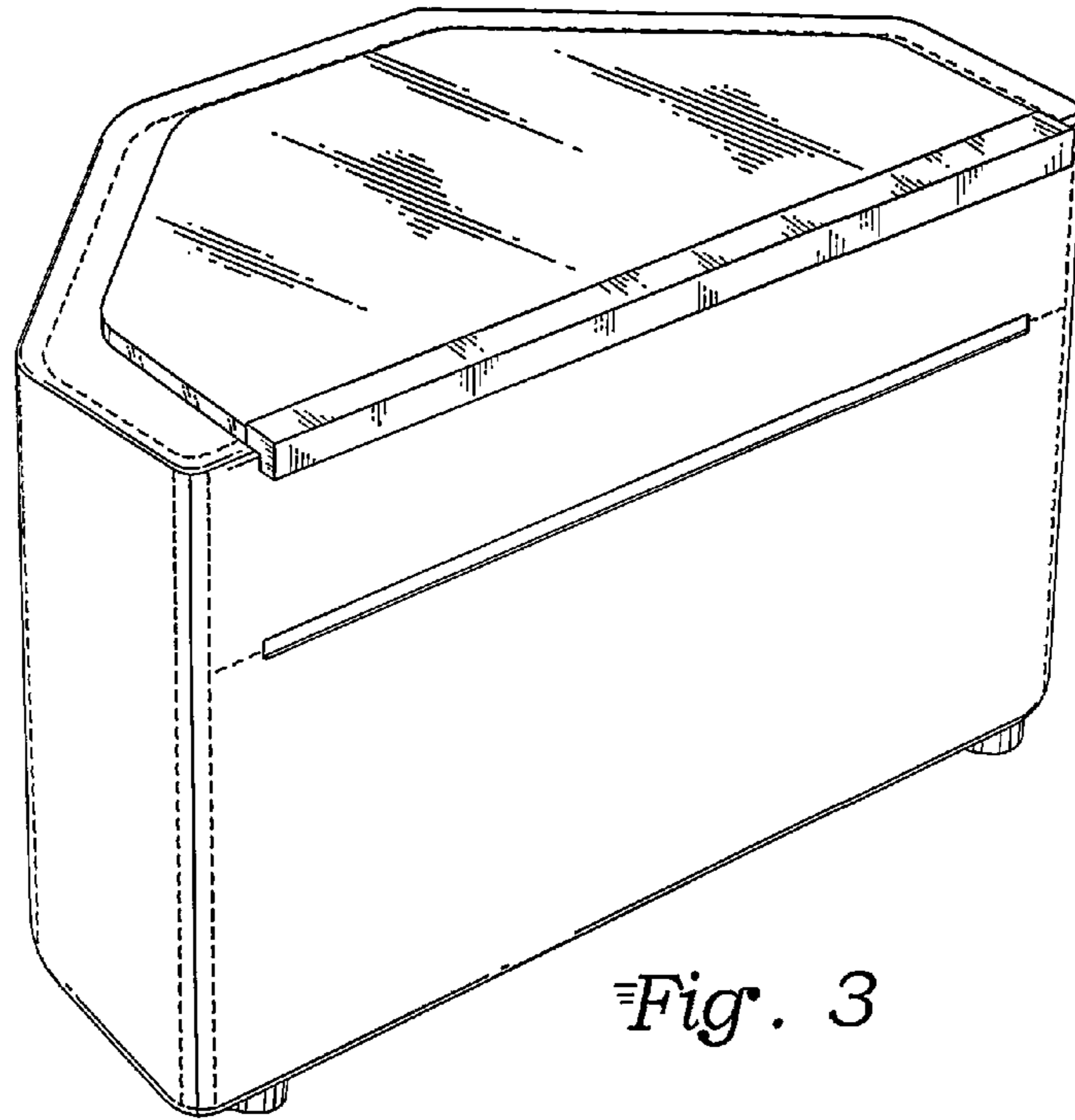


Fig. 3

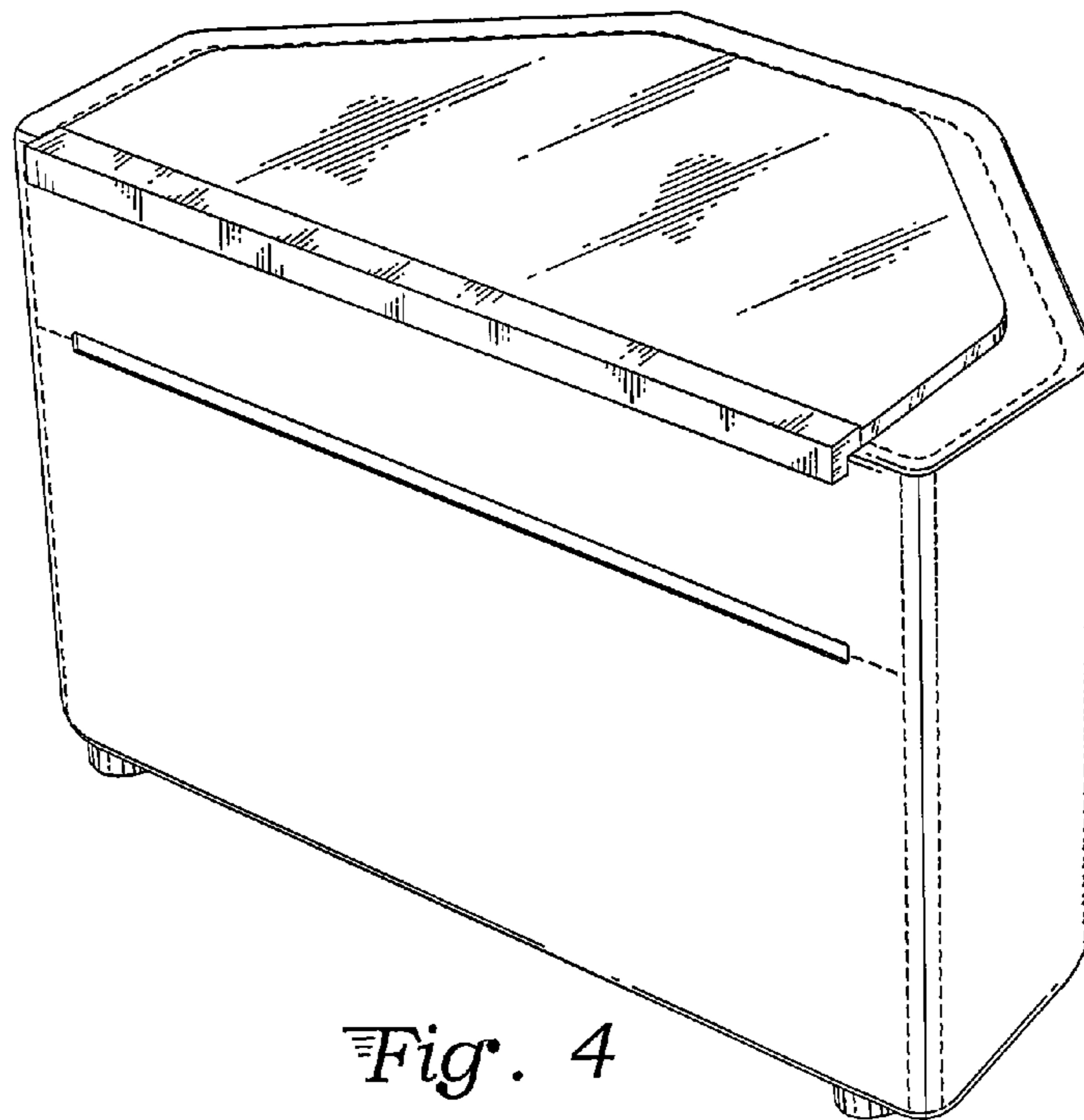


Fig. 4

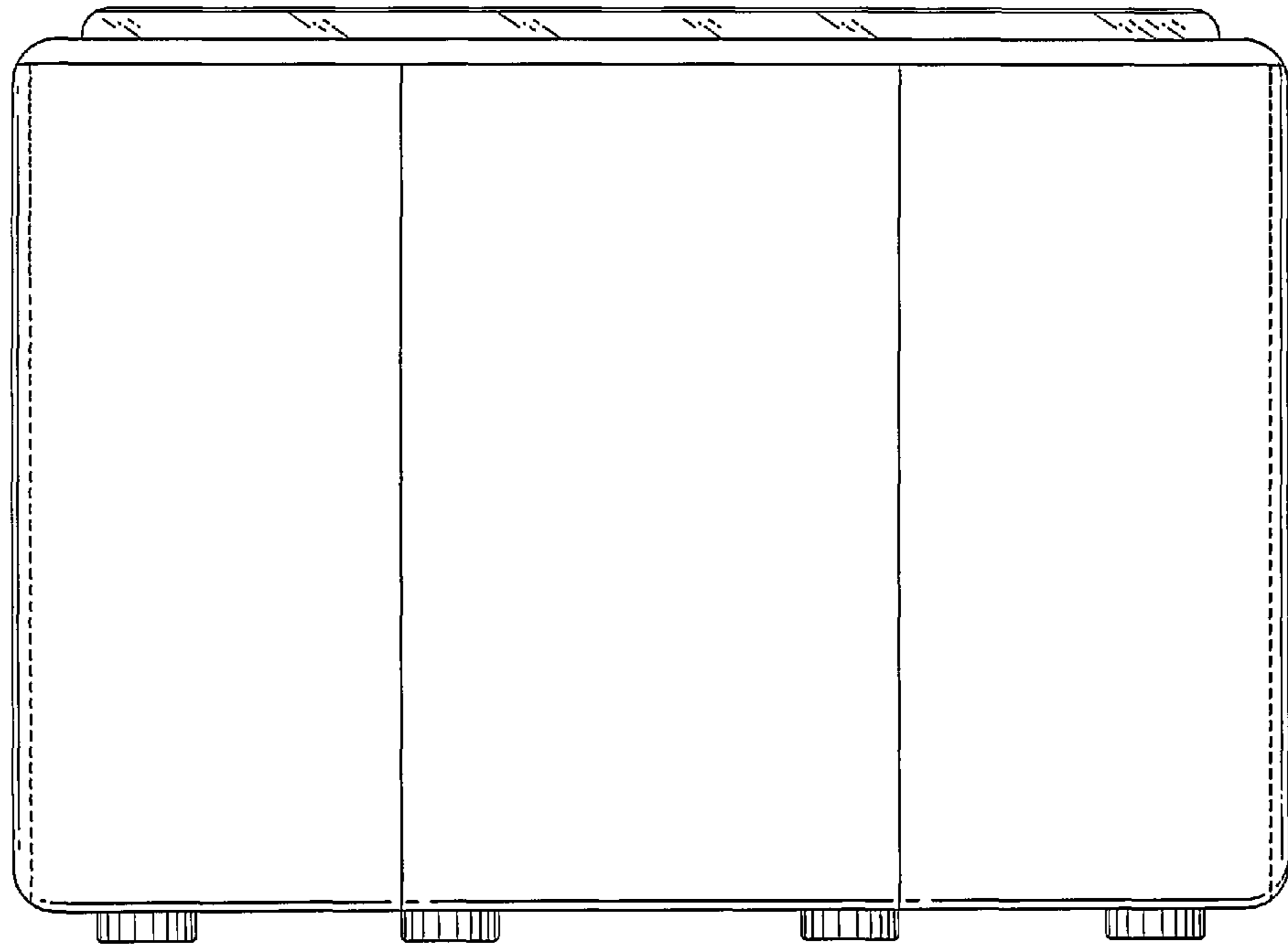


Fig. 5

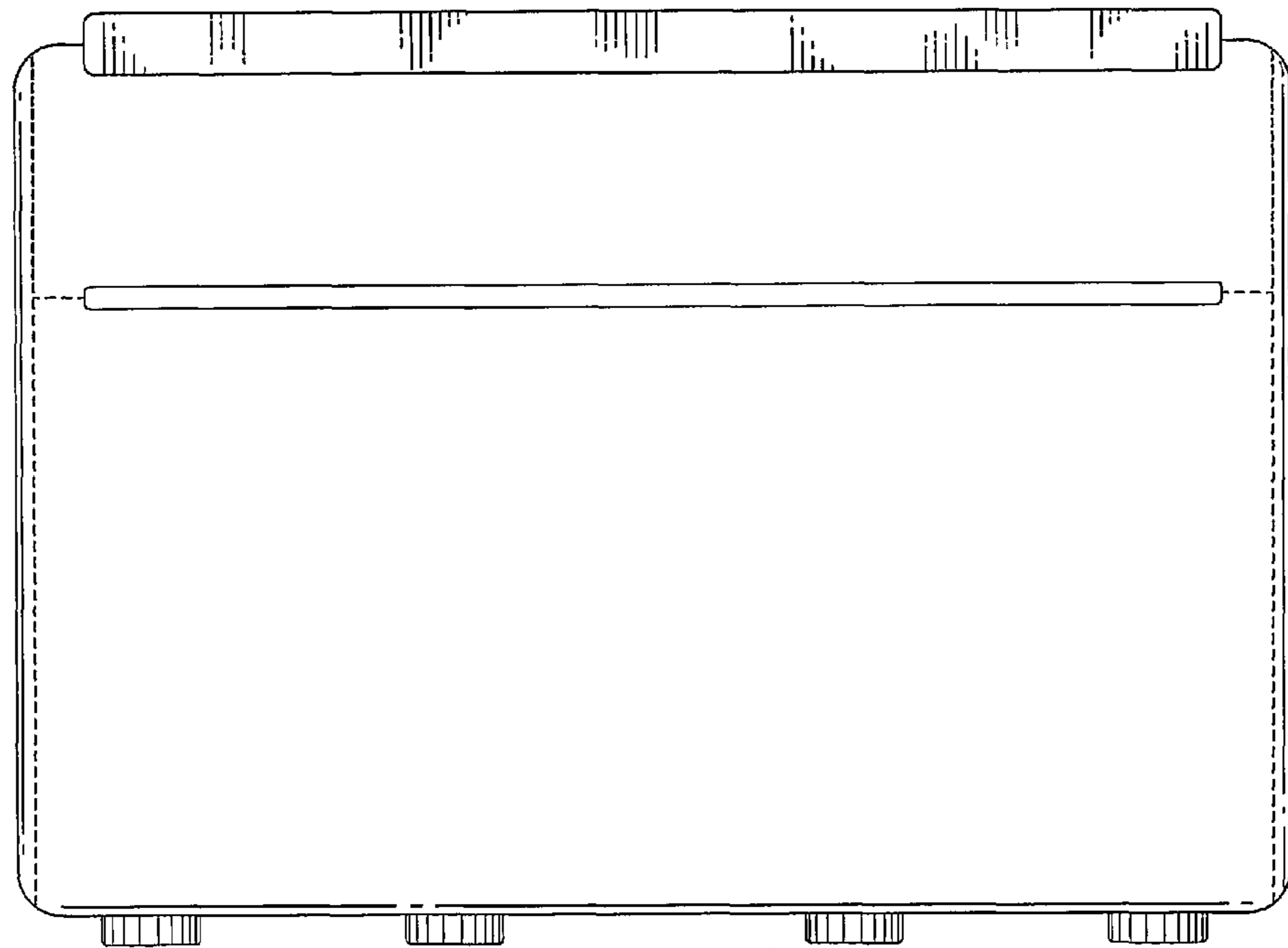


Fig. 6

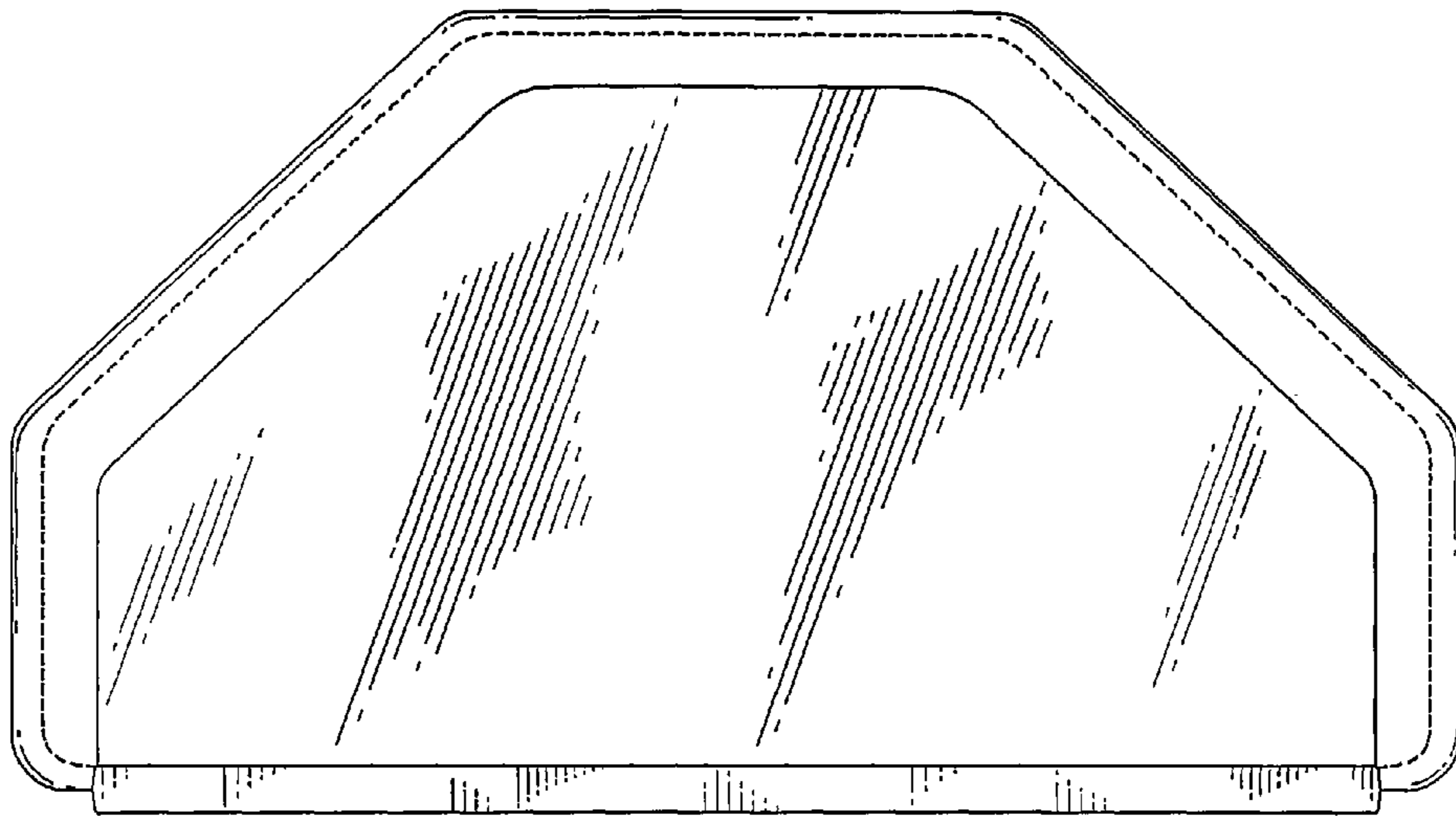


Fig. 7

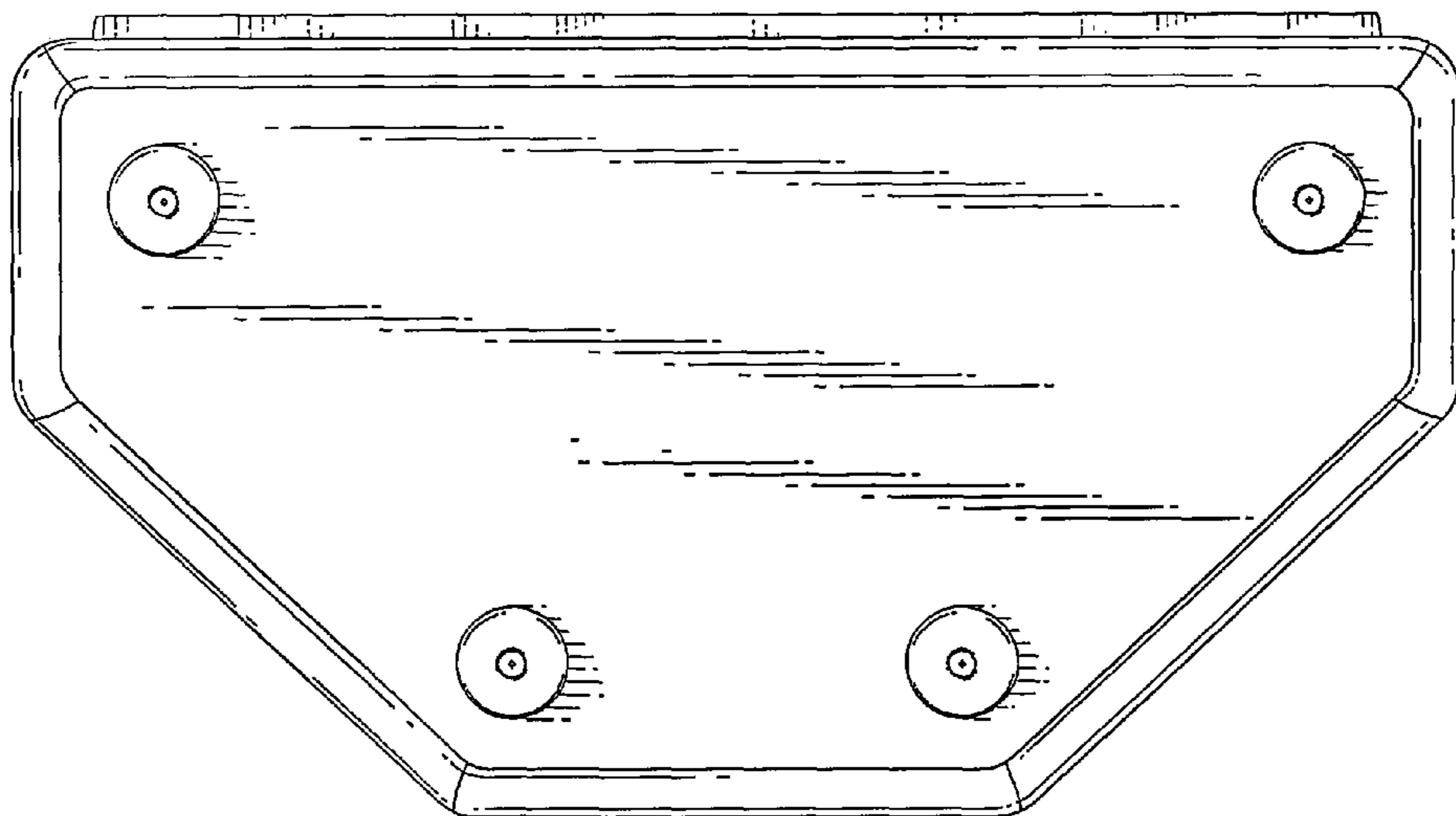


Fig. 8

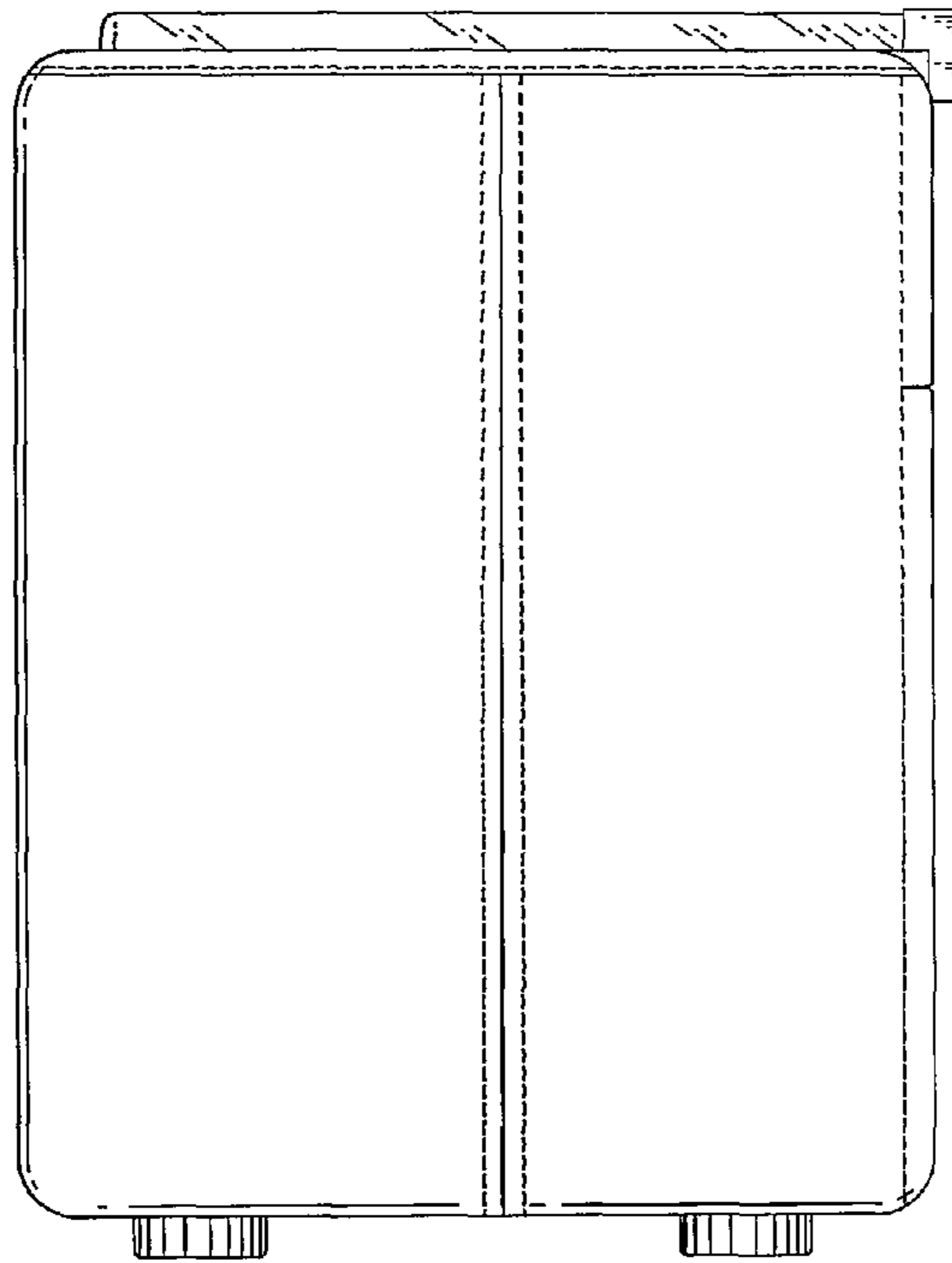


Fig. 9