

US00D669696S

(12) **United States Design Patent**  
**Lade**

(10) **Patent No.:** **US D669,696 S**

(45) **Date of Patent:** **\*\* Oct. 30, 2012**

(54) **FOOTSTOOL WITH RECESSED TABLE PLATE**

D328,507 S \* 8/1992 Campbell ..... D32/53  
D627,982 S \* 11/2010 Shen ..... D6/349  
D629,222 S \* 12/2010 Kay ..... D6/349

(75) Inventor: **Jan Lade**, Ikornnes (NO)

\* cited by examiner

(73) Assignee: **Ekornes ASA**, Ikornnes (NO)

*Primary Examiner* — Sandra Snapp

(\*\*) Term: **14 Years**

(74) *Attorney, Agent, or Firm* — Schneck & Schneck;  
Thomas Schneck

(21) Appl. No.: **29/411,747**

(57) **CLAIM**

(22) Filed: **Jan. 25, 2012**

I claim the ornamental design for a footstool with recessed table plate, as shown.

(30) **Foreign Application Priority Data**

**DESCRIPTION**

Aug. 26, 2011 (NO) ..... 20110703

(51) **LOC (9) Cl.** ..... **06-01**

(52) **U.S. Cl.** ..... **D6/349**

(58) **Field of Classification Search** ..... D6/335,  
D6/340, 349–355, 495, 500–502; 297/16.1,  
297/175, 187, 195.1, 423.1, 423.11, 423.14,  
297/423.16, 461, 462

See application file for complete search history.

FIG. 1 is a front left perspective view for a footstool with recessed table plate of my design;

FIG. 2 is a front right perspective view thereof;

FIG. 3 is a rear left perspective view thereof showing the table plate stored in an opening in the rear of the footstool;

FIG. 4 is a rear right perspective view thereof;

FIG. 5 is a front elevational view thereof;

FIG. 6 is a rear elevational view thereof;

FIG. 7 is a top view thereof;

FIG. 8 is a bottom view thereof; and,

FIG. 9 is a left side elevational view thereof, the right side being a mirror image.

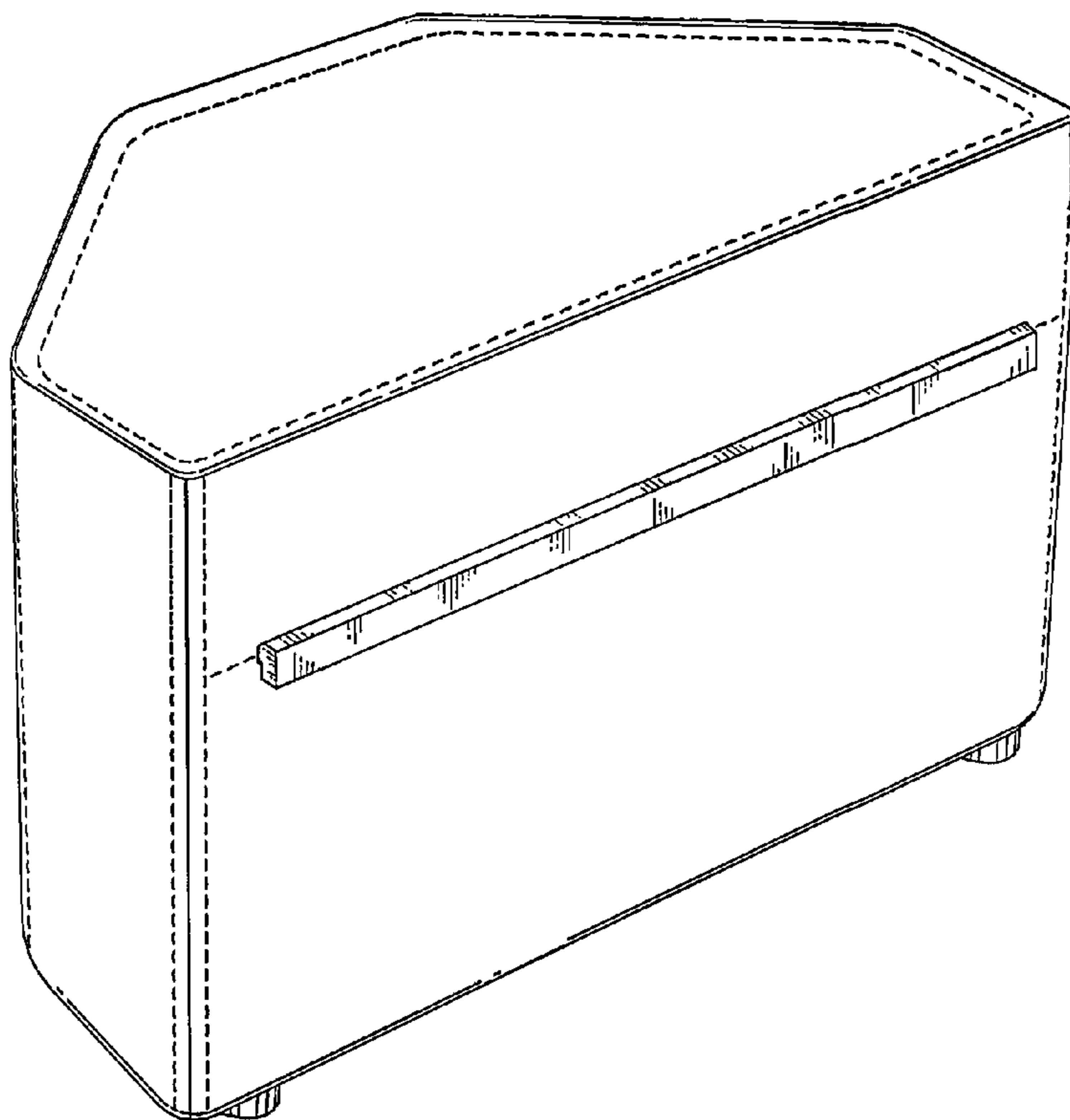
The dotted lines represent stitched seams that are part of the design.

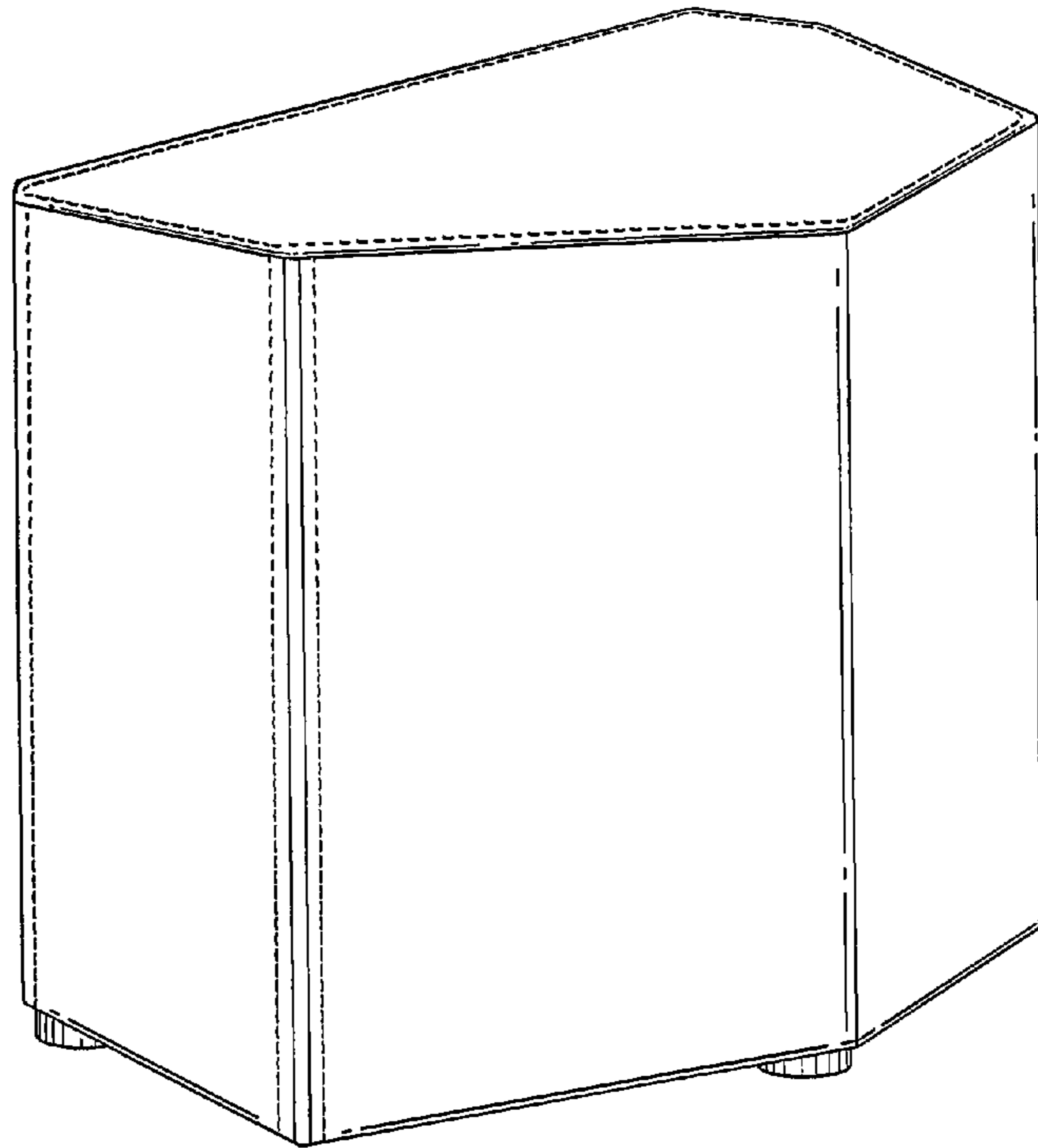
(56) **References Cited**

**U.S. PATENT DOCUMENTS**

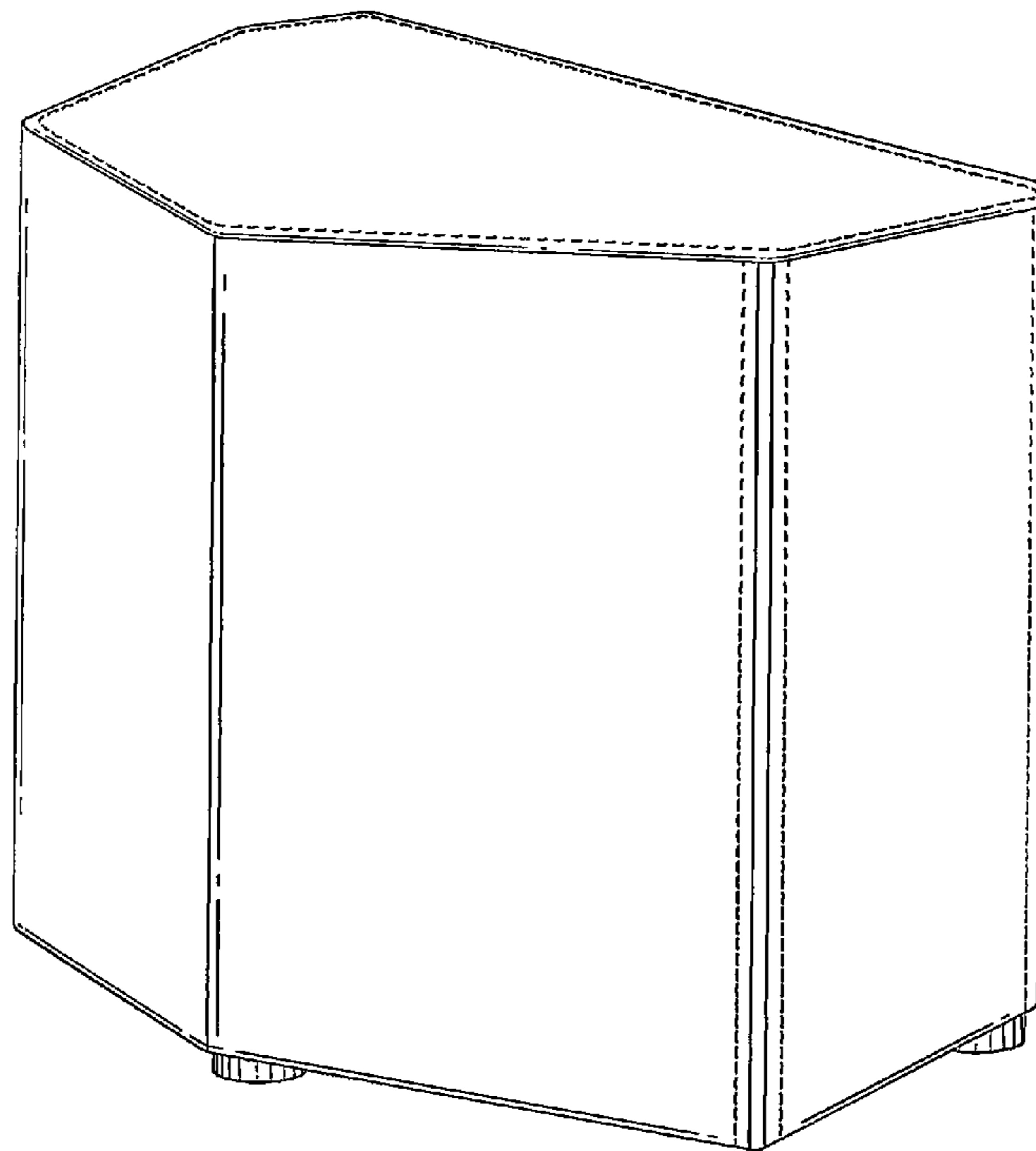
D168,001 S \* 10/1952 Sachs ..... D6/349  
3,191,554 A \* 6/1965 Zierhut ..... 108/118  
D248,697 S \* 8/1978 Miller ..... D6/349

**1 Claim, 5 Drawing Sheets**

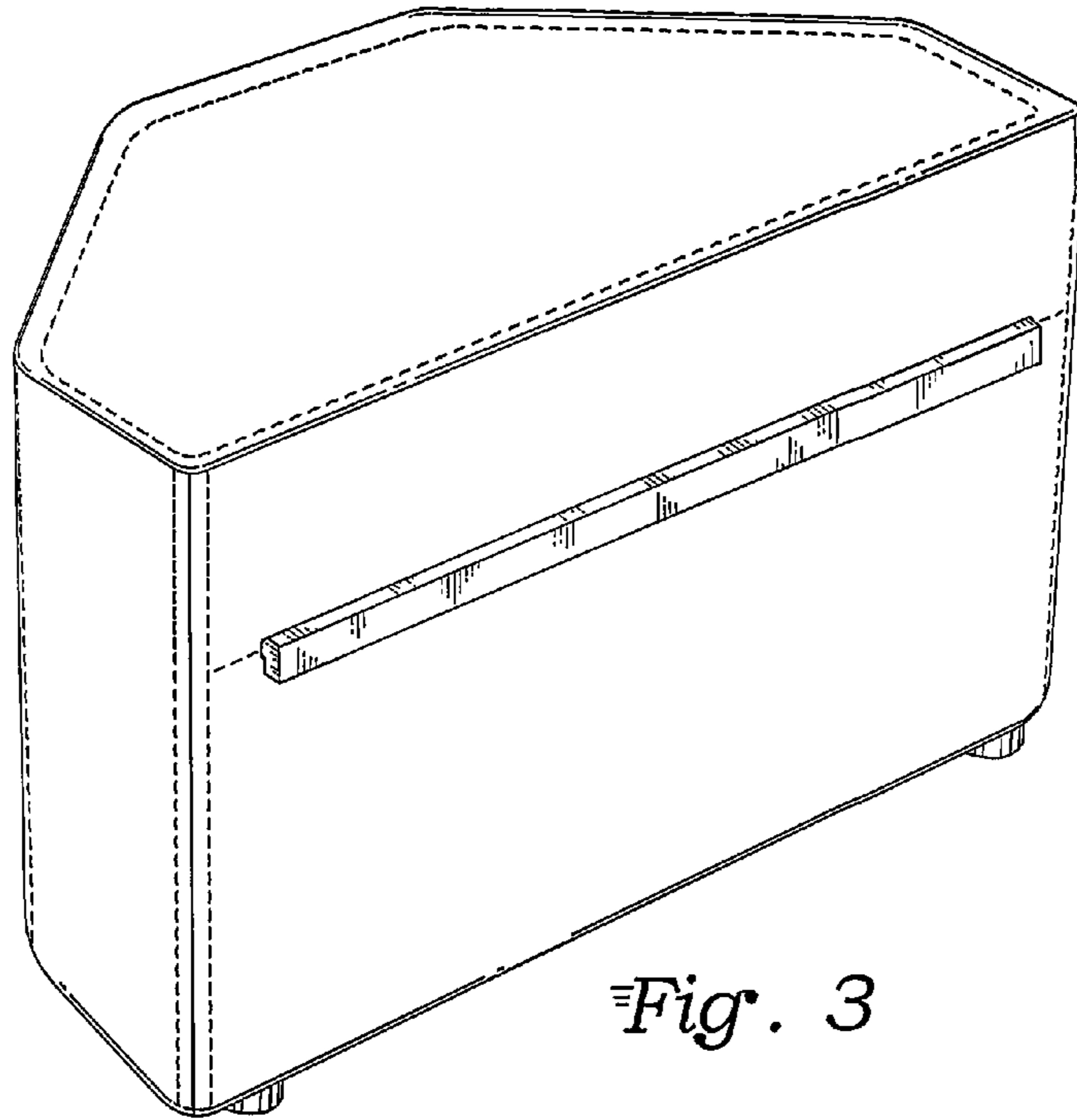




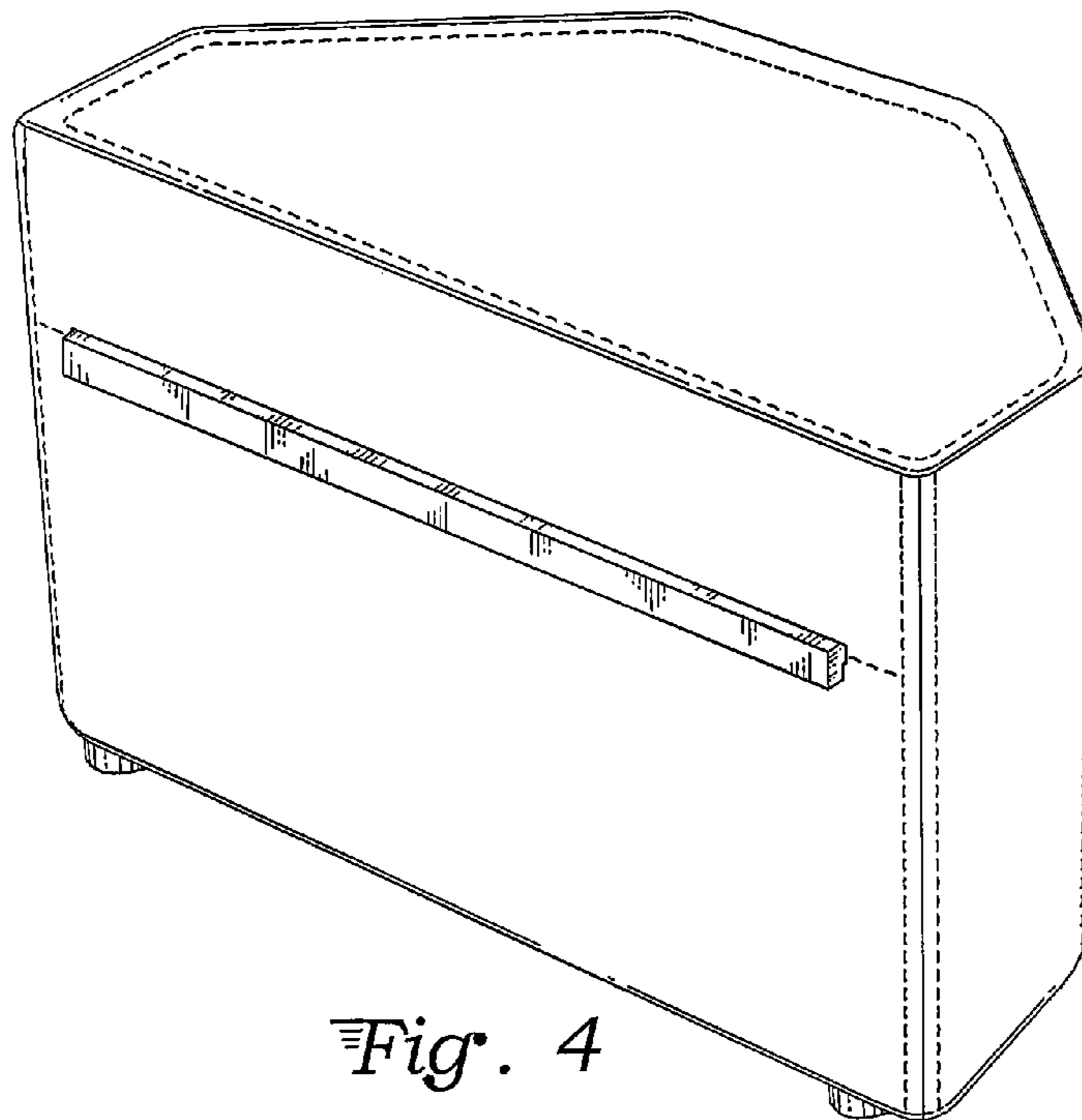
*Fig. 1*



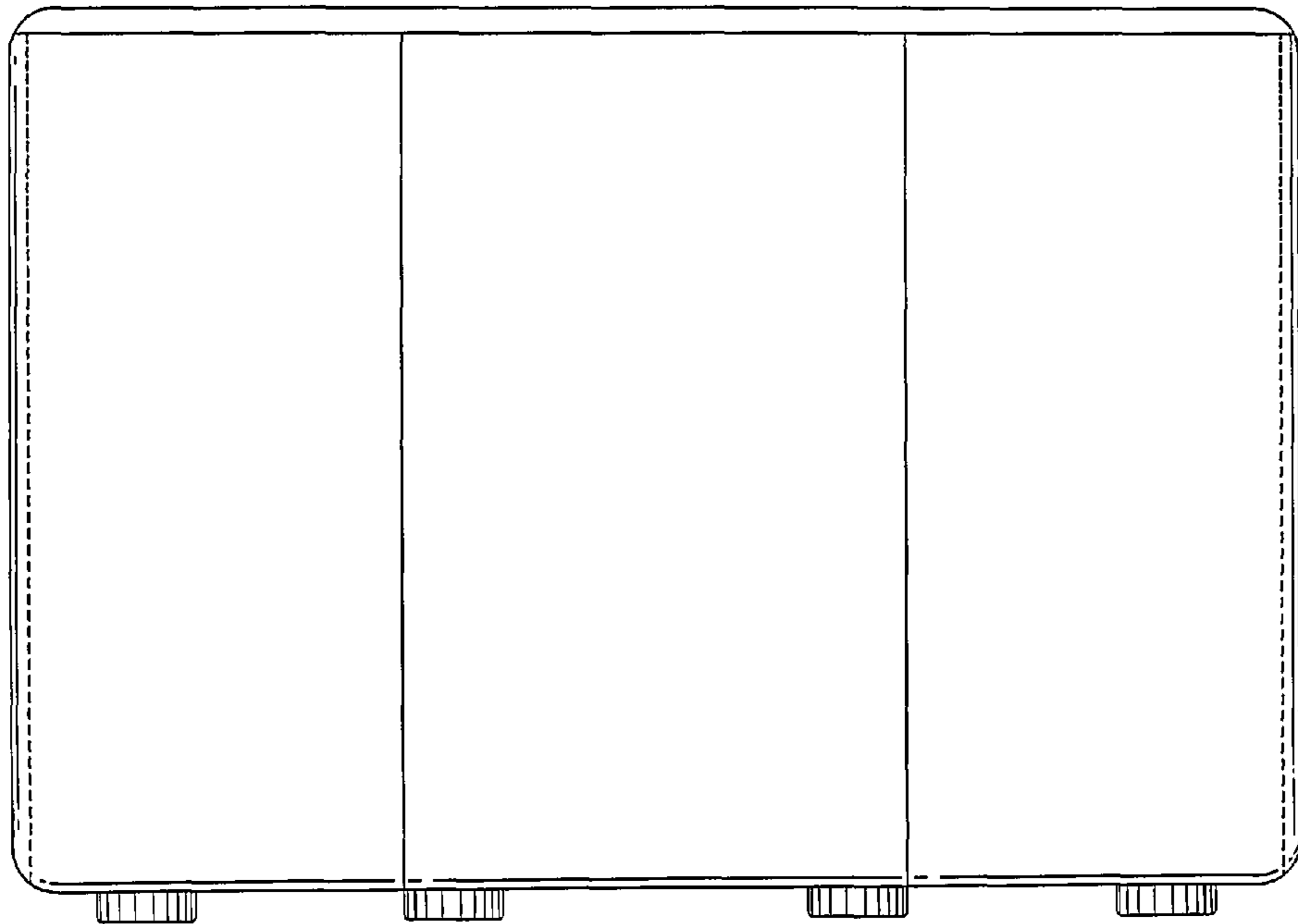
*Fig. 2*



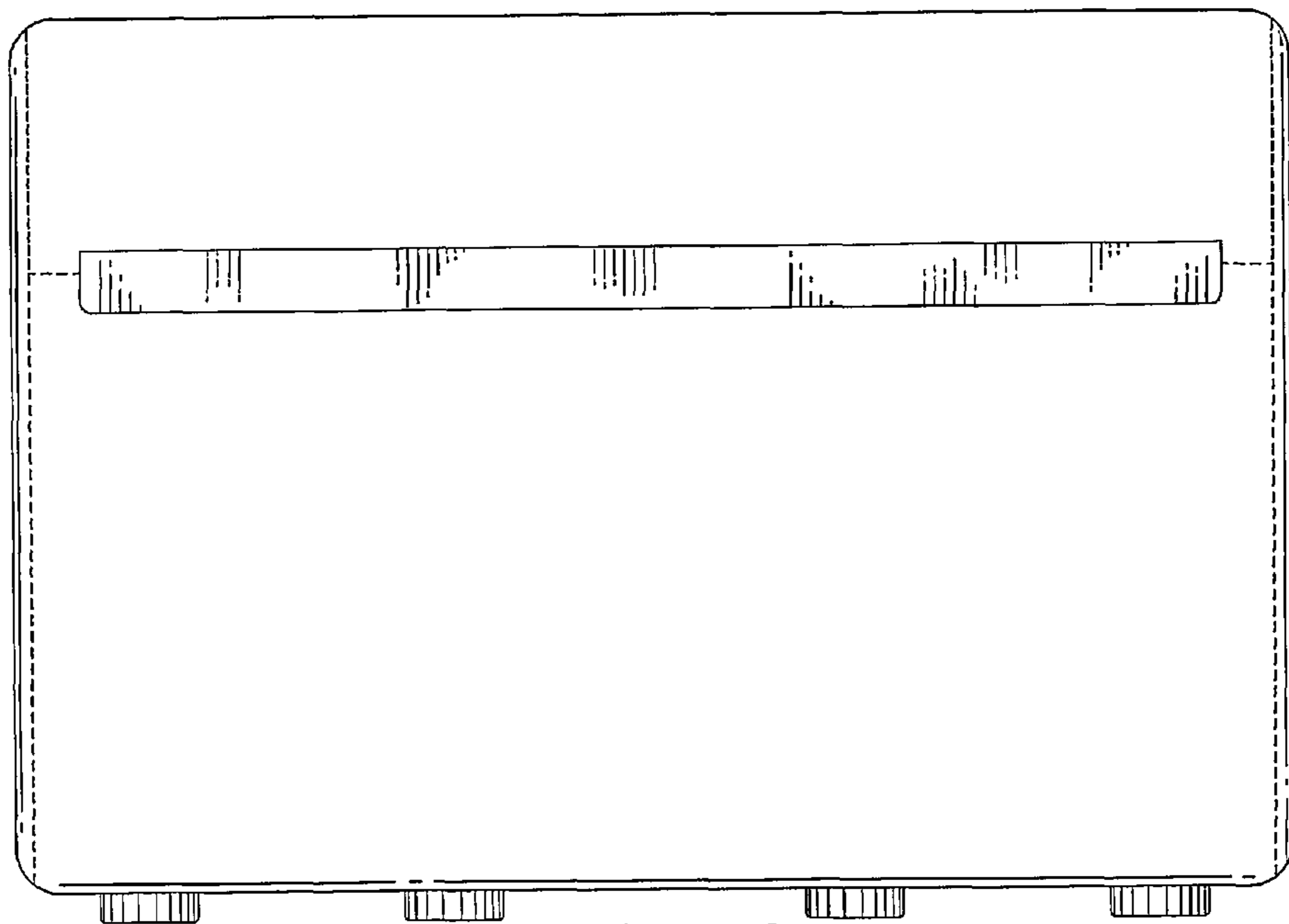
*Fig. 3*



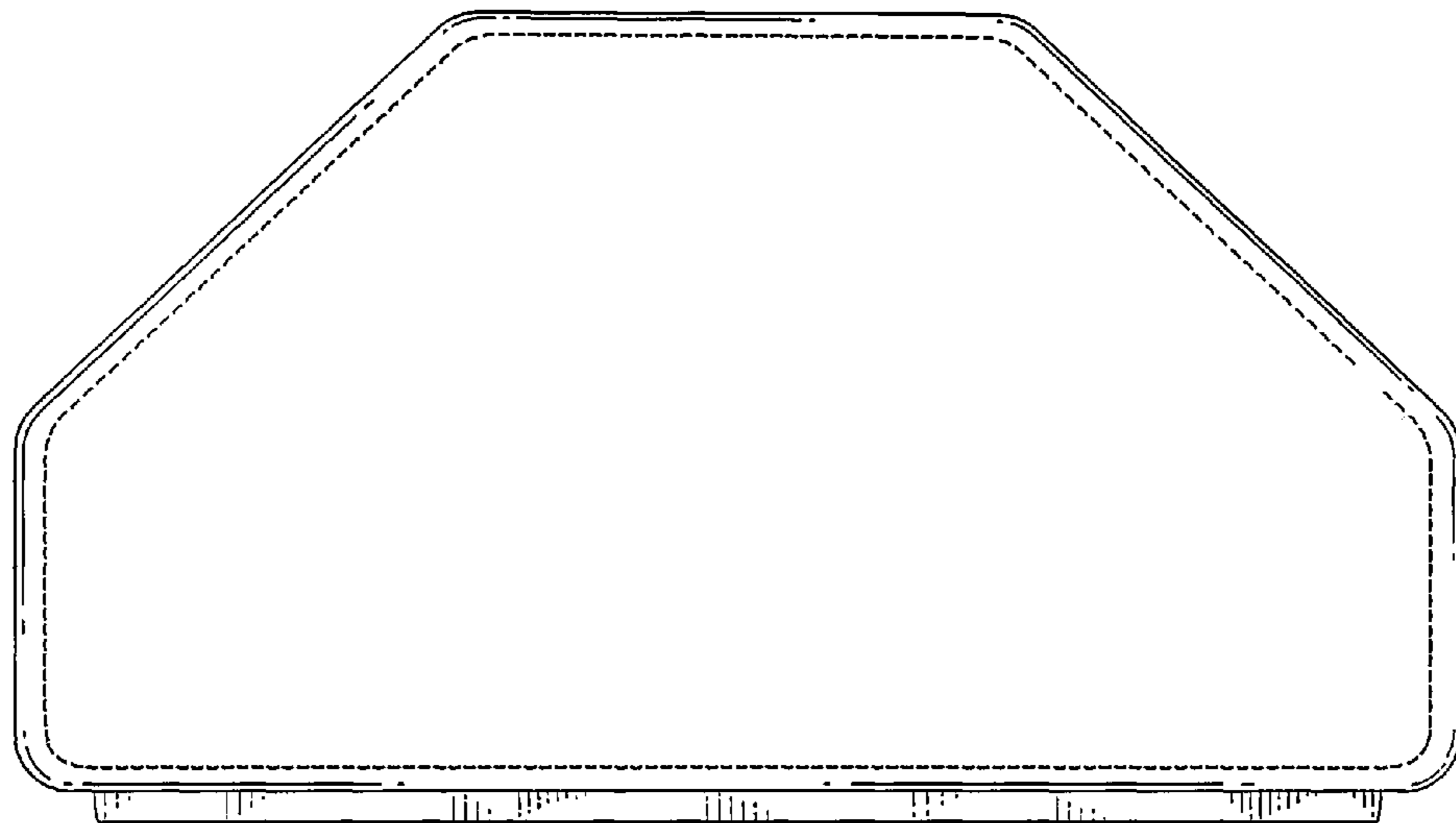
*Fig. 4*



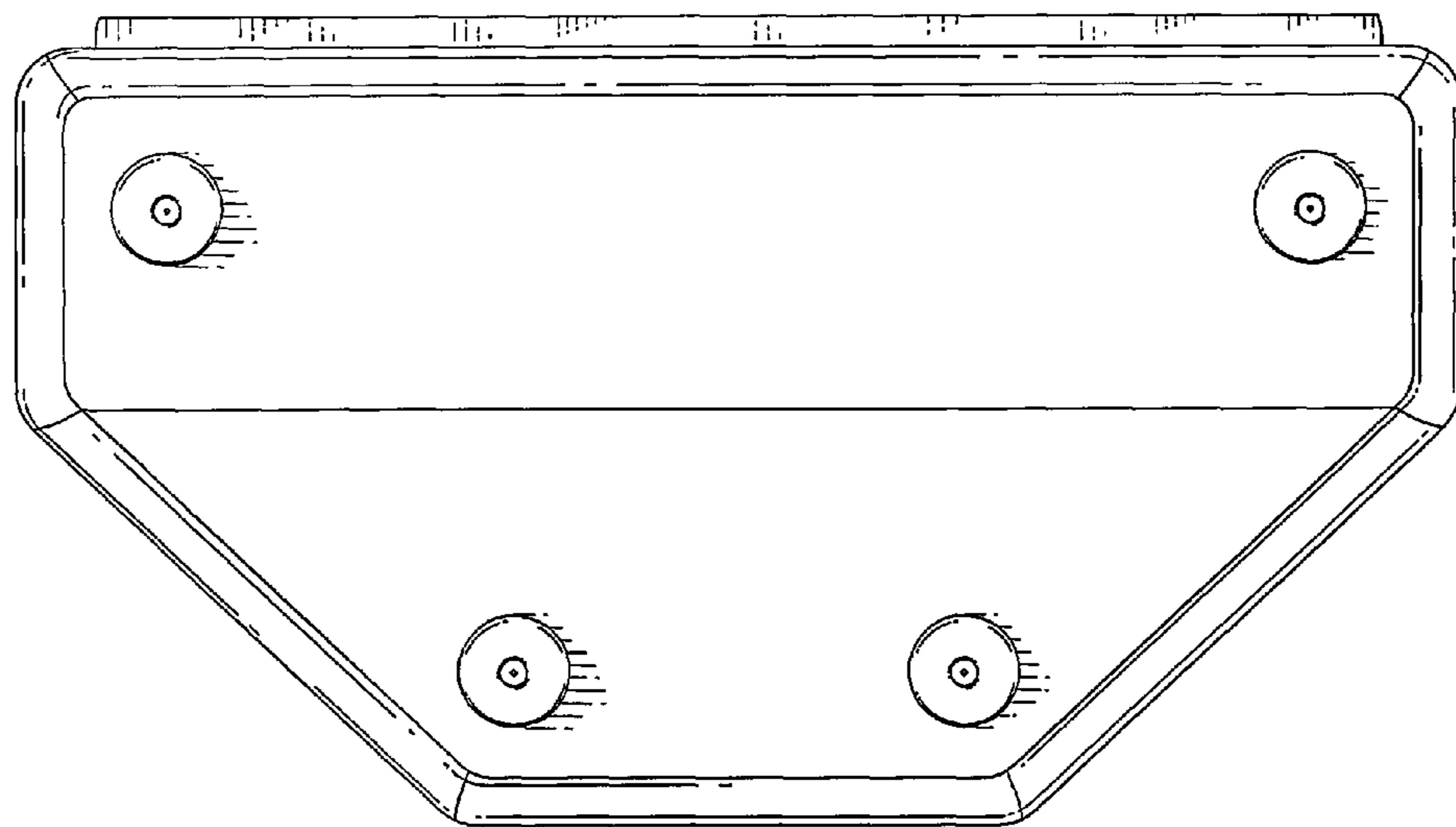
*Fig. 5*



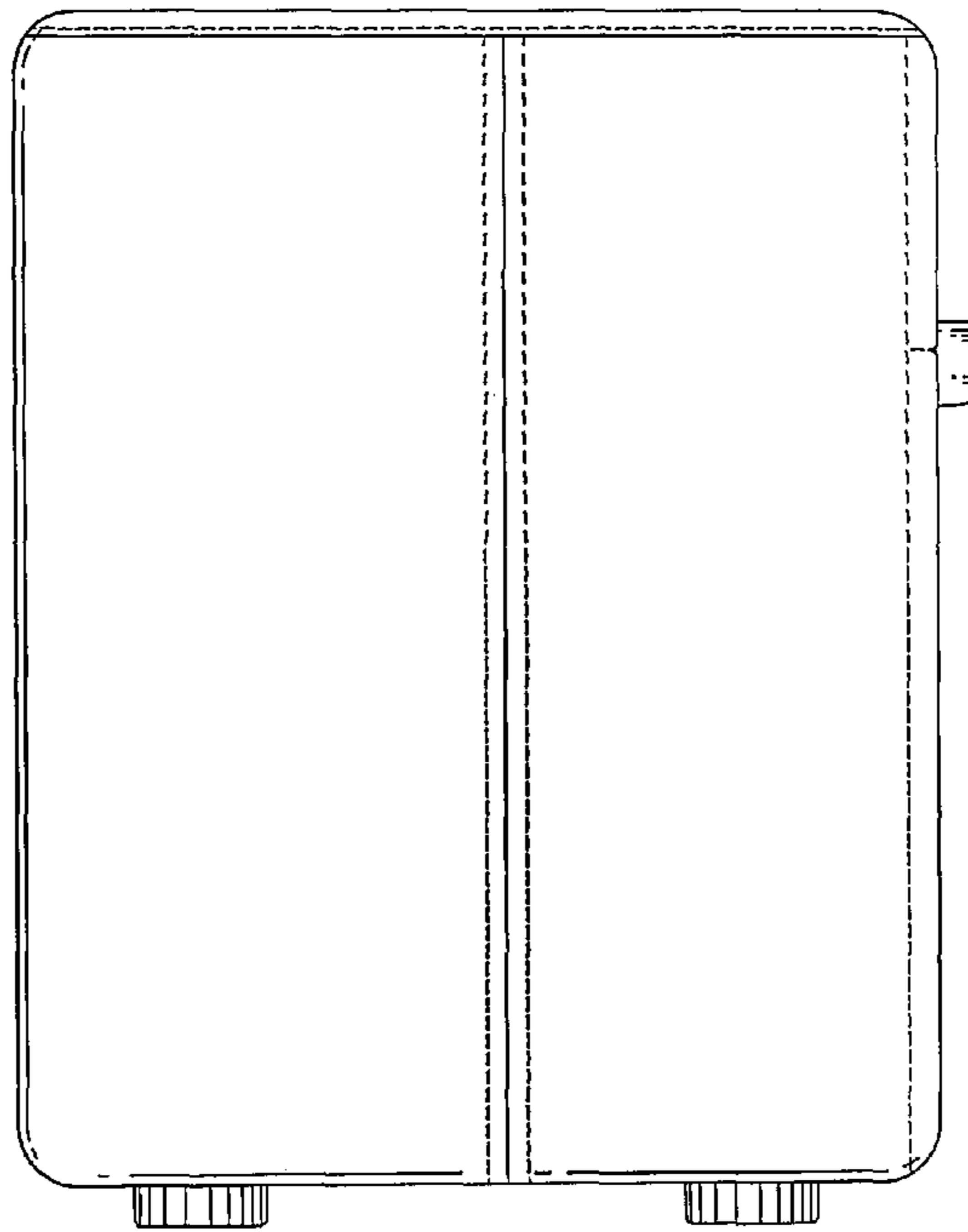
*Fig. 6*



*Fig. 7*



*Fig. 8*



*Fig. 9*