

US00D669692S

(12) **United States Design Patent**  
**Chen**

(10) **Patent No.:** **US D669,692 S**

(45) **Date of Patent:** **\*\* Oct. 30, 2012**

(54) **FRAME FOR SUPPORTING BOXES**

(76) Inventor: **Fang-Yin Chen**, Taichung Hsien (TW)

(\*\*) Term: **14 Years**

(21) Appl. No.: **29/411,067**

(22) Filed: **Jan. 17, 2012**

(51) **LOC (9) Cl.** ..... **20-02**

(52) **U.S. Cl.** ..... **D6/329; D6/515**

(58) **Field of Classification Search** ..... D6/515-523,  
D6/329, 396, 512; 206/225, 233, 389, 391,  
206/812, 824, 63.5; 211/13.1, 45; 222/173,  
222/180; 221/16, 33, 282-283; 242/925,  
242/570, 590; 248/309.1, 309.2, 905, 311.2;  
D9/307, 521, 529, 419, 420; D3/20, 301;  
D28/66

See application file for complete search history.

(56) **References Cited**

**U.S. PATENT DOCUMENTS**

D330,479 S *	10/1992	Stevens	.....	D6/518
D340,826 S *	11/1993	Deom	.....	D6/567
D352,855 S *	11/1994	Wolff	.....	D6/515
D371,478 S *	7/1996	Yates	.....	D6/515
D447,357 S *	9/2001	Sims	.....	D6/396

6,669,157 B1 *	12/2003	Willin et al.	.....	248/905
D525,060 S *	7/2006	Mamouzette	.....	D6/512
D551,007 S *	9/2007	Trinko	.....	D6/566
D605,442 S *	12/2009	Elhalwani	.....	D6/515
D617,127 S *	6/2010	Wang	.....	D6/518

\* cited by examiner

*Primary Examiner* — Brian N Vinson

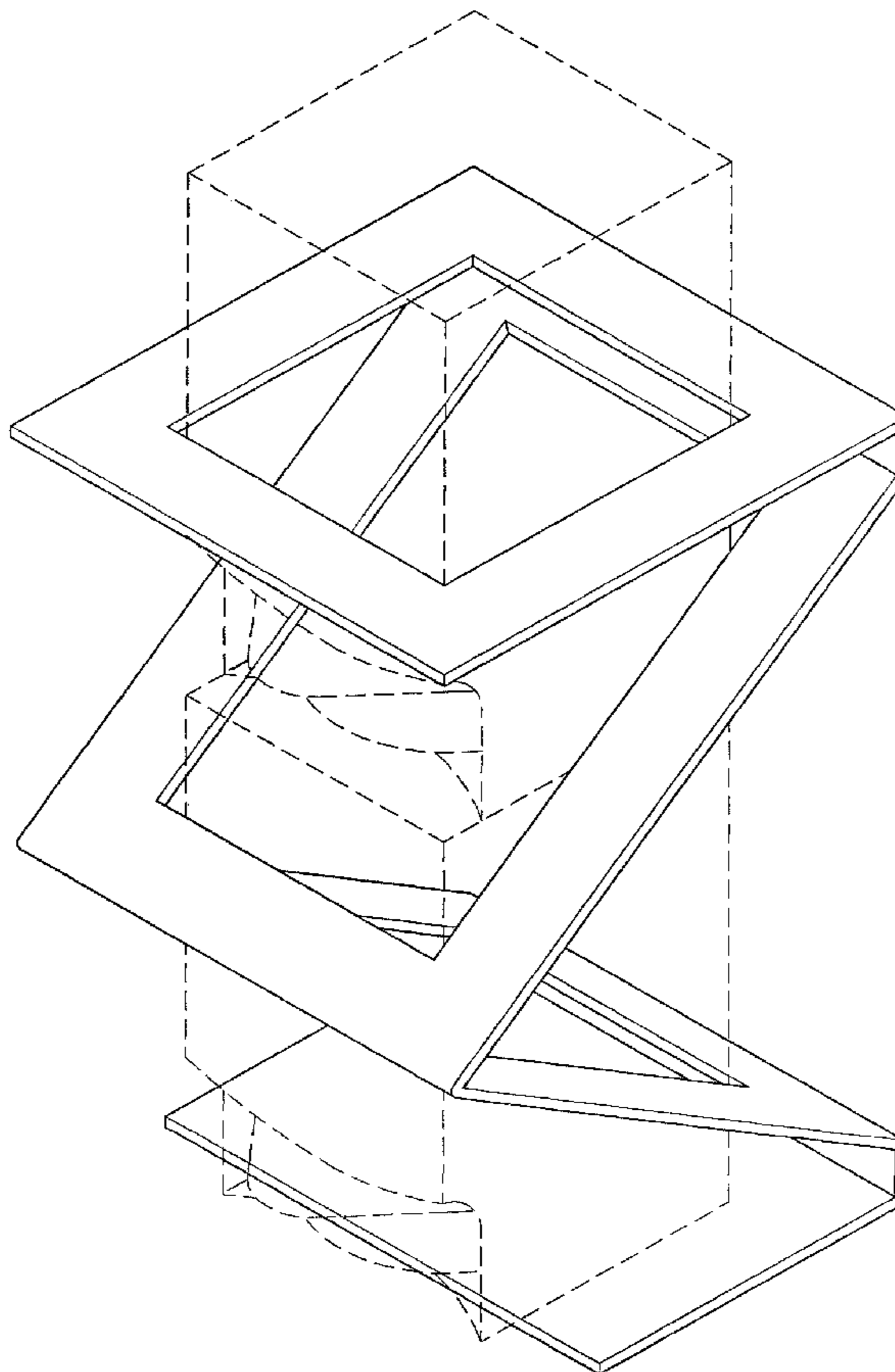
(57) **CLAIM**

The ornamental design for a frame for supporting boxes, as shown and described.

**DESCRIPTION**

FIG. 1 is a perspective view of a frame for supporting boxes showing my new design;  
FIG. 2 is a front elevational view thereof;  
FIG. 3 is a rear elevational view thereof;  
FIG. 4 is a left side view thereof;  
FIG. 5 is a right side view thereof;  
FIG. 6 is a top plan view thereof;  
FIG. 7 is a bottom plan view thereof; and,  
FIG. 8 is a top, front, and right side perspective view thereof.  
The broken-line disclosure of the two dispensing boxes are for illustrative purposes only and form no part of the claimed design.

**1 Claim, 5 Drawing Sheets**



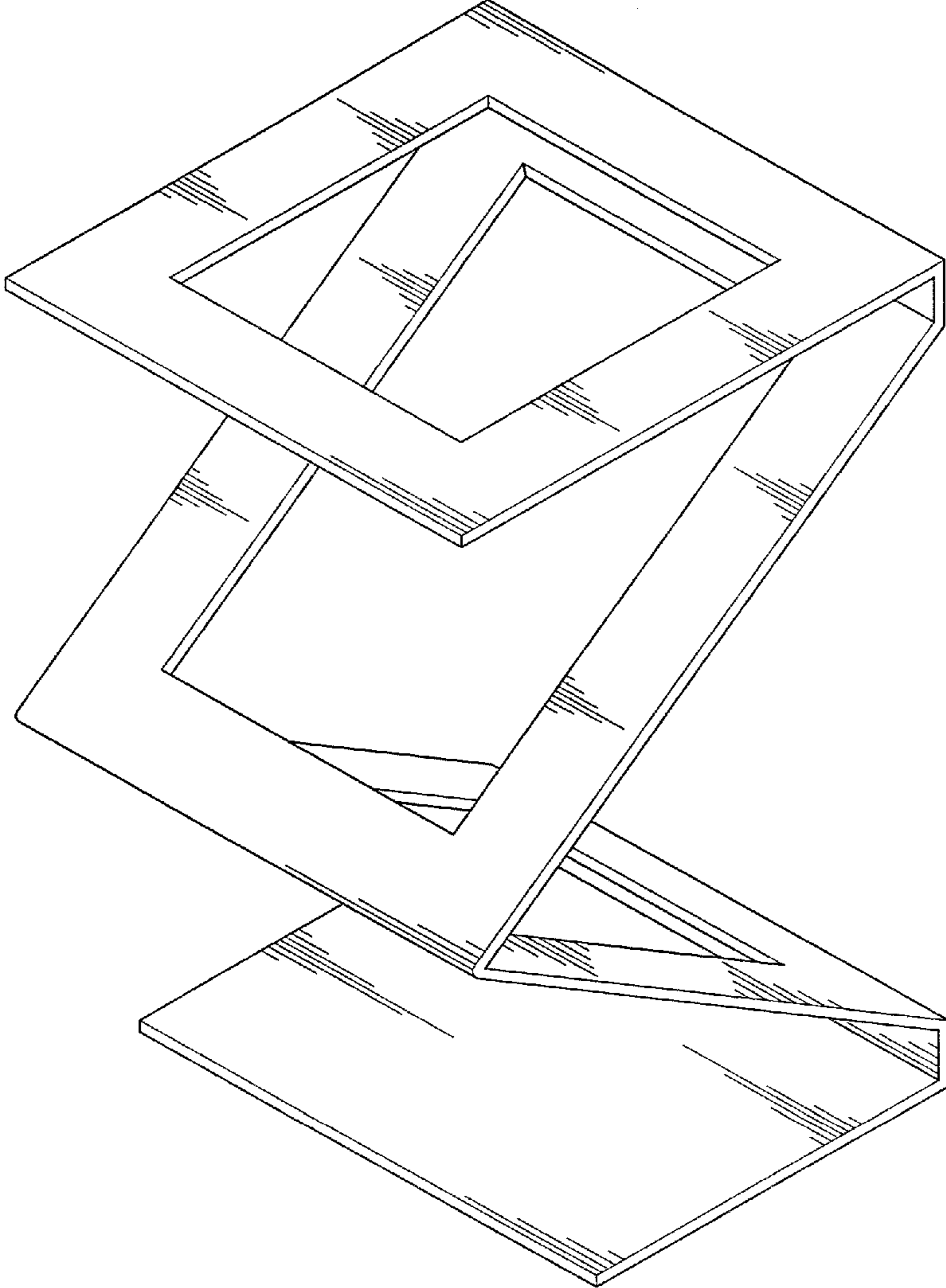


FIG. 1

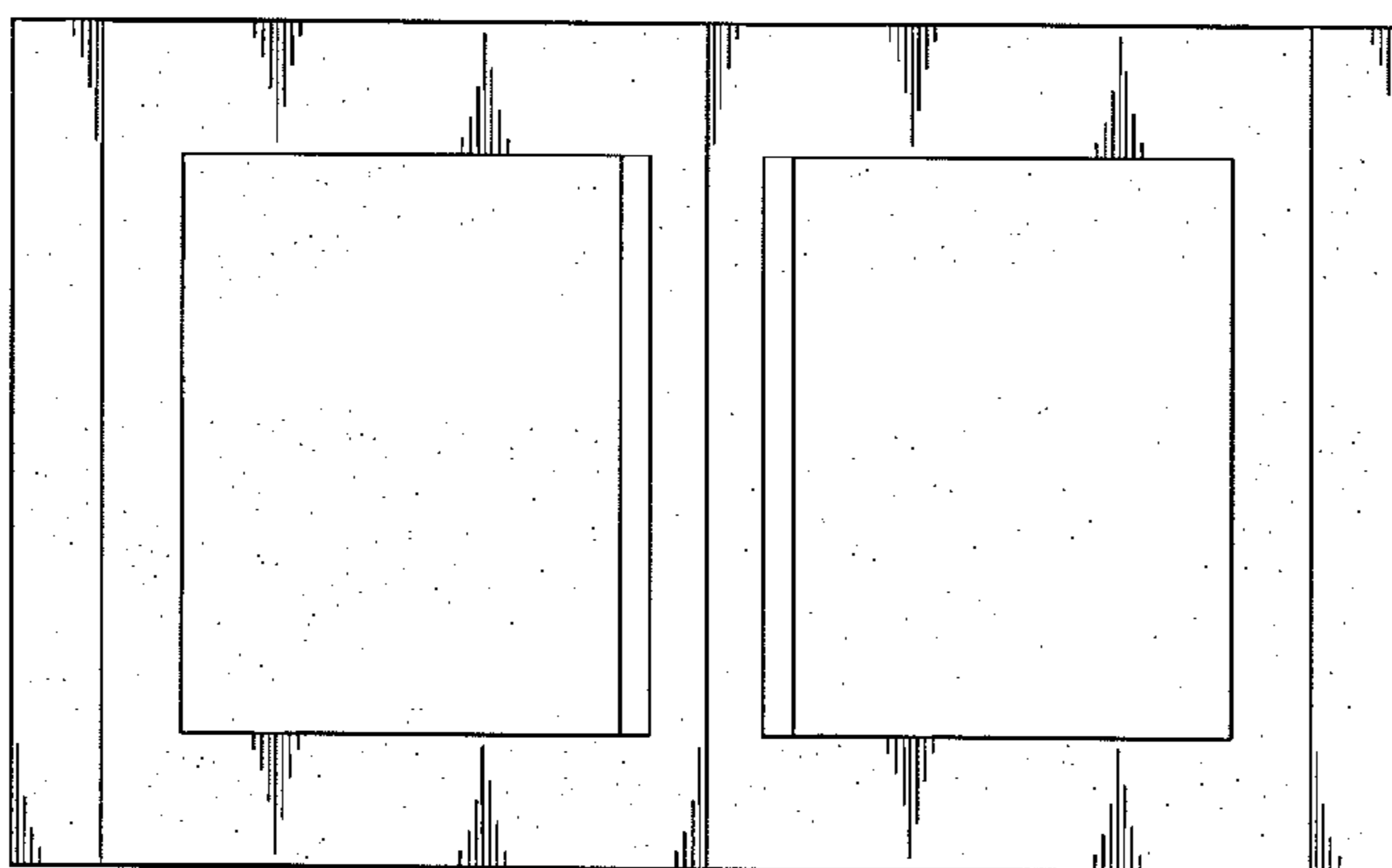


FIG. 3

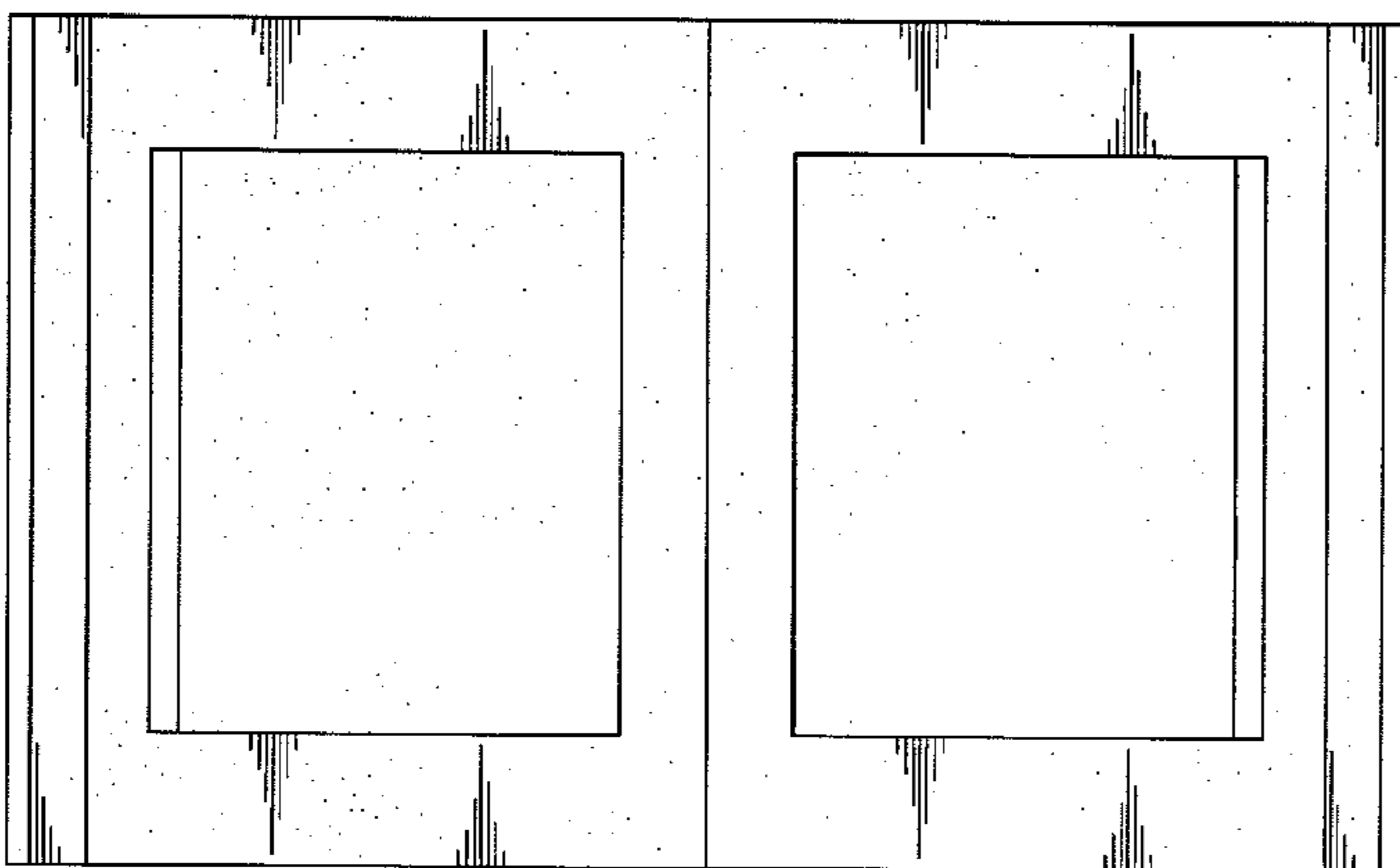


FIG. 2

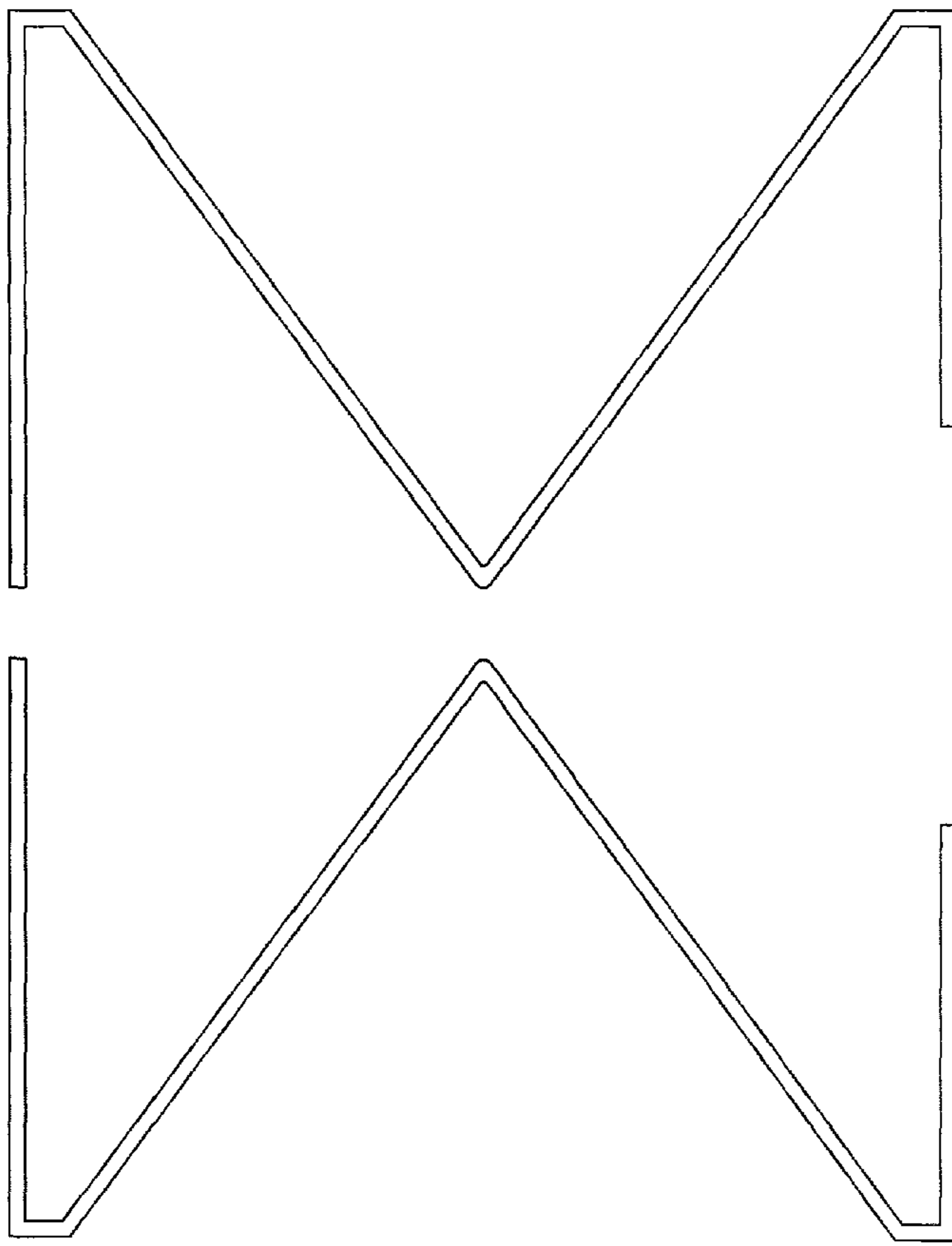


FIG. 5

FIG. 4

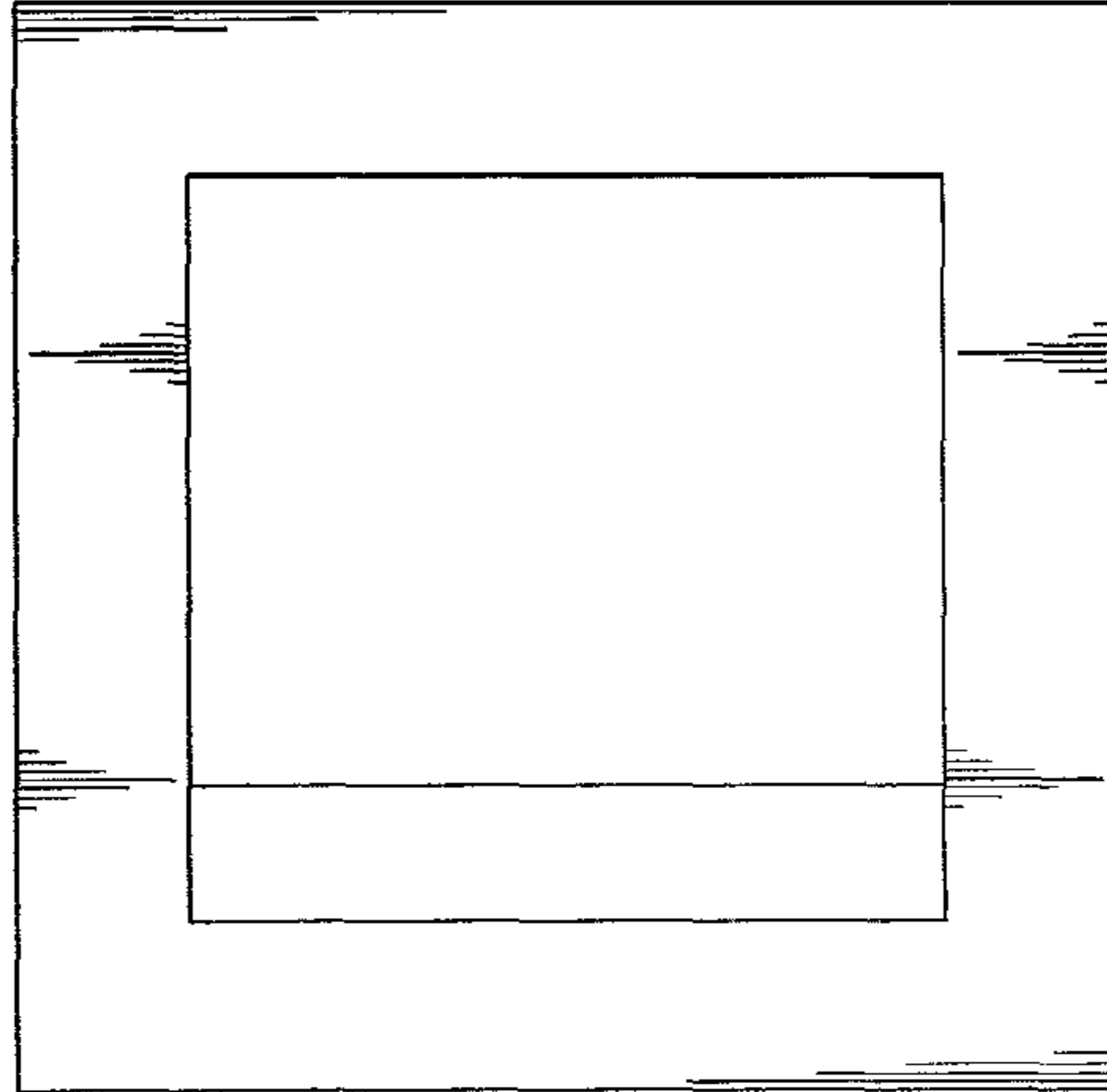


FIG. 6

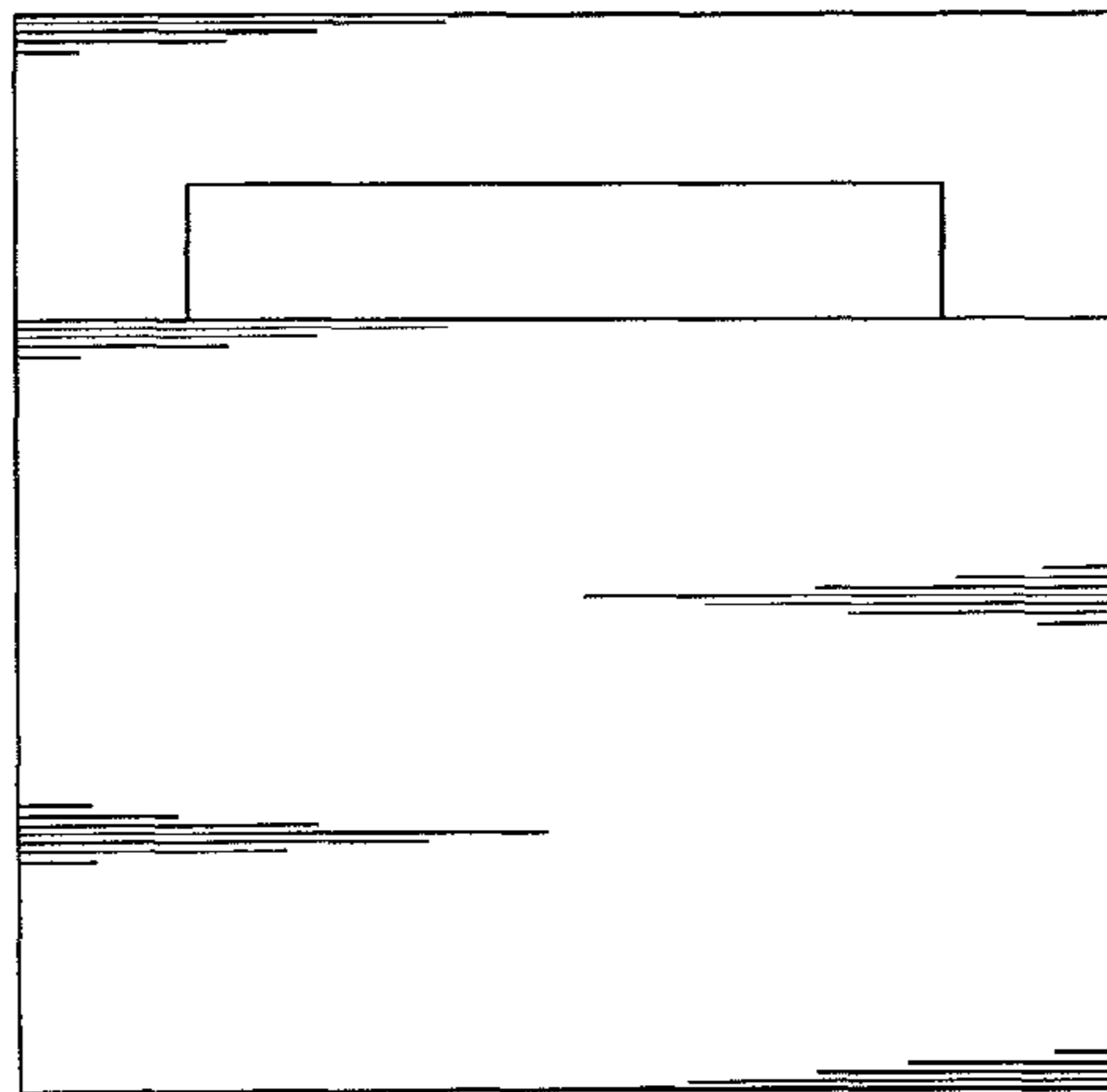


FIG. 7

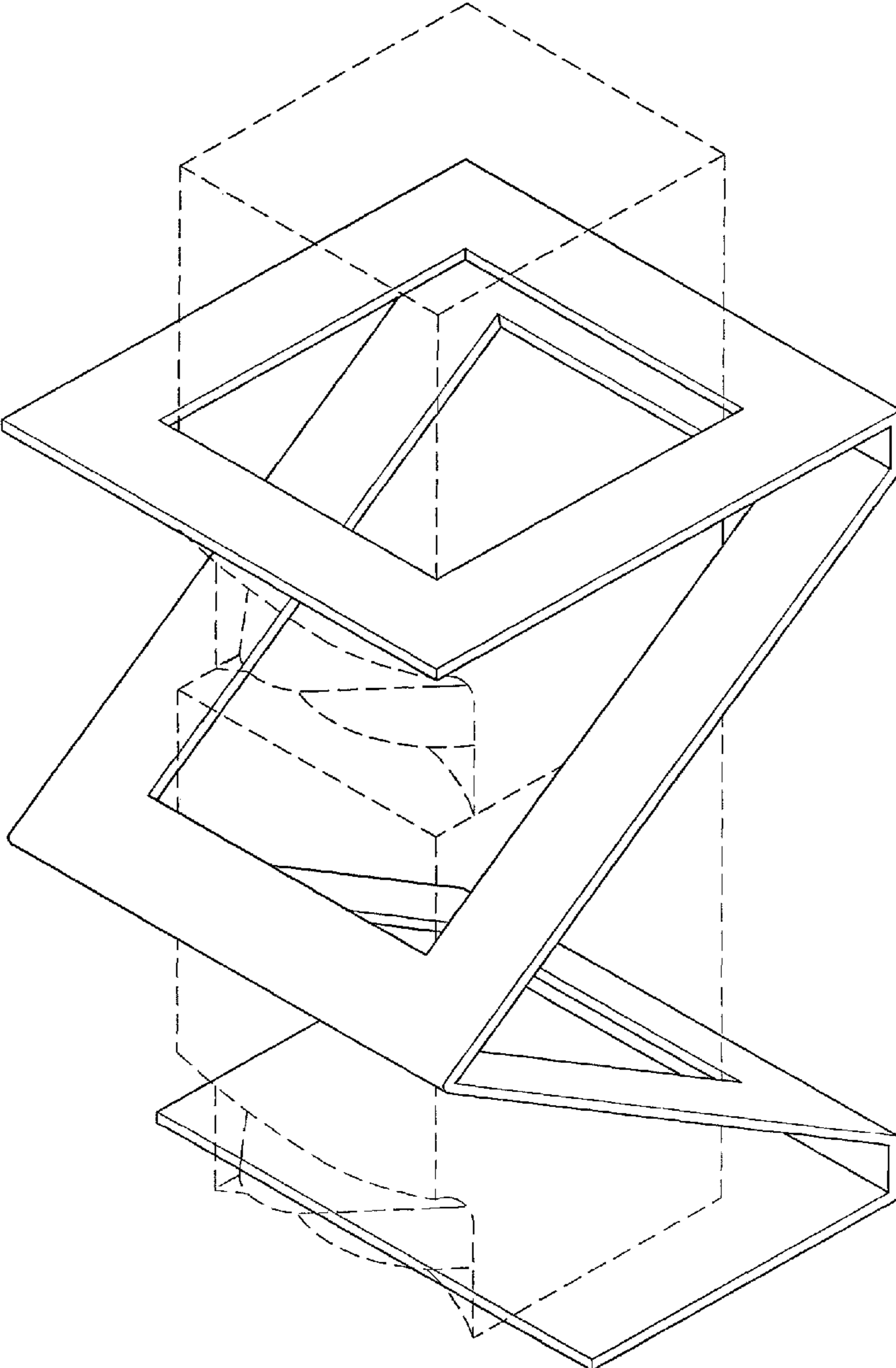


FIG. 8