



US00D669687S

(12) **United States Design Patent**
Heil et al.

(10) **Patent No.:** **US D669,687 S**
(45) **Date of Patent:** **** Oct. 30, 2012**

(54) **TOOTHBRUSH HEAD**

(75) Inventors: **Benedikt Heil**, Ober-Mörlen (DE); **Uwe Jungnickel**, Königstein (DE); **Wolfgang Stegmann**, Frankfurt (DE)

(73) Assignee: **Braun GmbH**, Kronberg (DE)

(**) Term: **14 Years**

(21) Appl. No.: **29/360,730**

(22) Filed: **Apr. 30, 2010**

(51) **LOC (9) Cl.** **04-02**

(52) **U.S. Cl.** **D4/101; D4/104**

(58) **Field of Classification Search** D4/101,
D4/104-112; 15/167.1, 167.2; 132/308-311;
601/139, 141, 142

See application file for complete search history.

(56) **References Cited**

U.S. PATENT DOCUMENTS

D457,726 S *	5/2002	Tse	D4/101
D517,325 S *	3/2006	Black et al.	D4/108
D598,198 S *	8/2009	Crossman	D4/101
D632,894 S *	2/2011	Shigeno et al.	D4/101
D653,035 S *	1/2012	Gebski	D4/101
2011/0010874 A1 *	1/2011	Dickie	15/22.1

OTHER PUBLICATIONS

CN 300776830 Registered Design Application, (Omron Healthcare Co. Ltd.) May 7, 2008, [online], [retrieved on Apr. 28, 2012] Retrieved from the Questel Intellectual Property Portal Design Database using the Internet: <URL: http://www.orbit.com>.*

* cited by examiner

Primary Examiner — Melanie H Tung

Assistant Examiner — Lavone D Tabor

(74) *Attorney, Agent, or Firm* — John P. Colbert

(57) **CLAIM**

The ornamental design for a toothbrush head, as shown and described.

DESCRIPTION

FIG. 1 is a perspective view of a toothbrush head showing our new design;

FIG. 2 is a front view thereof;

FIG. 3 is a right side view thereof;

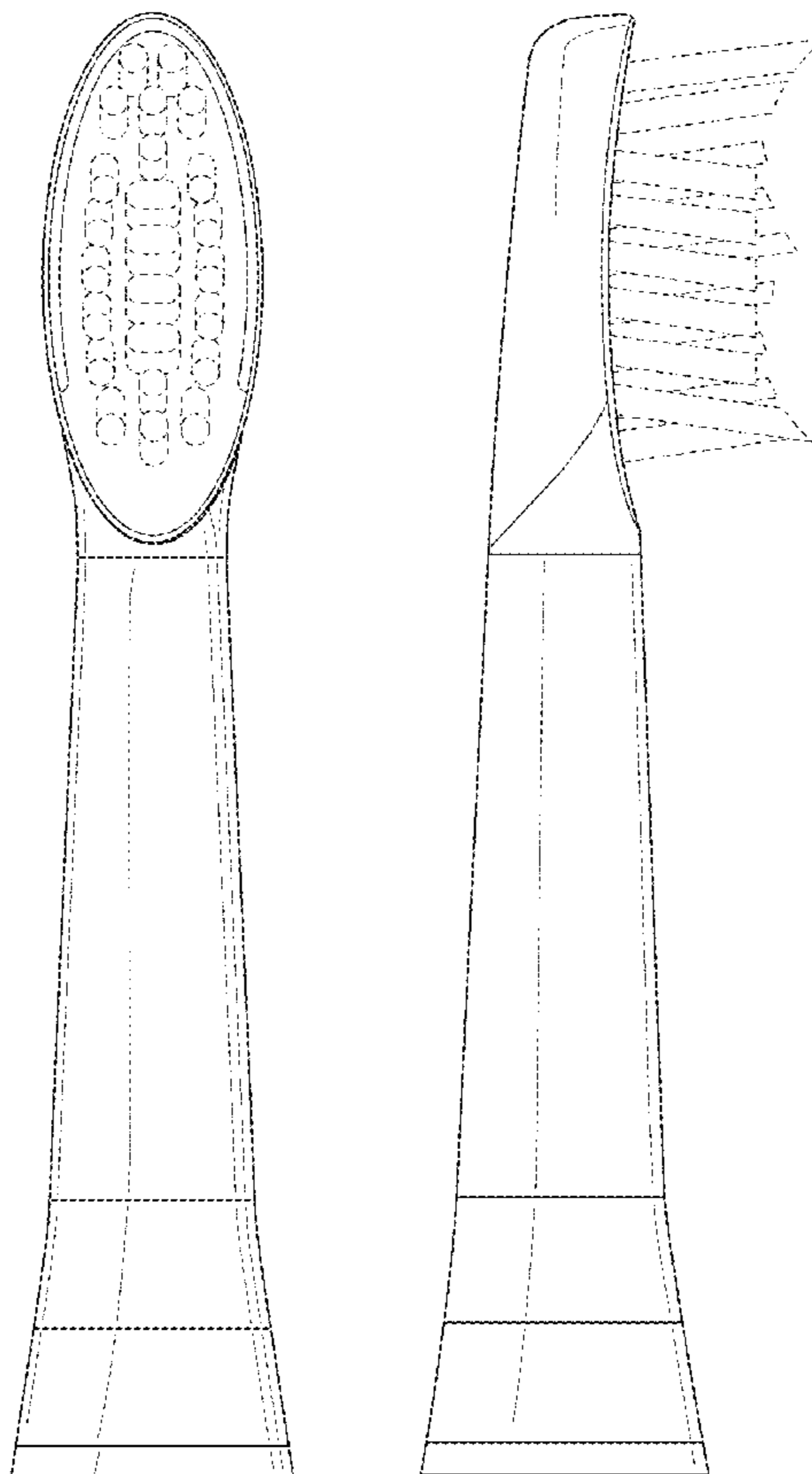
FIG. 4 is a rear view thereof;

FIG. 5 is a left side view thereof; and,

FIG. 6 is an enlarged top view thereof.

The broken lines are shown for illustrative purposes only and form no part of the claimed design.

1 Claim, 6 Drawing Sheets



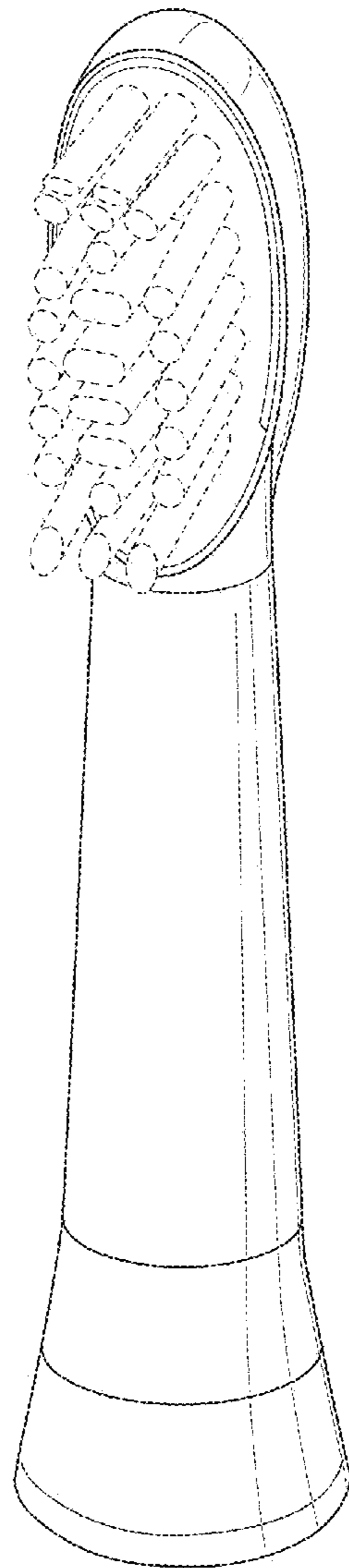


Fig. 1

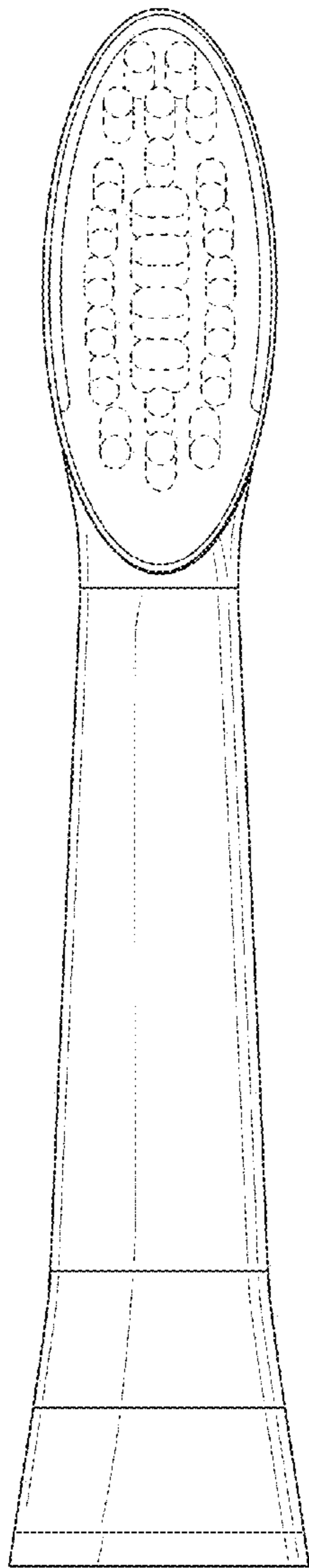


Fig. 2

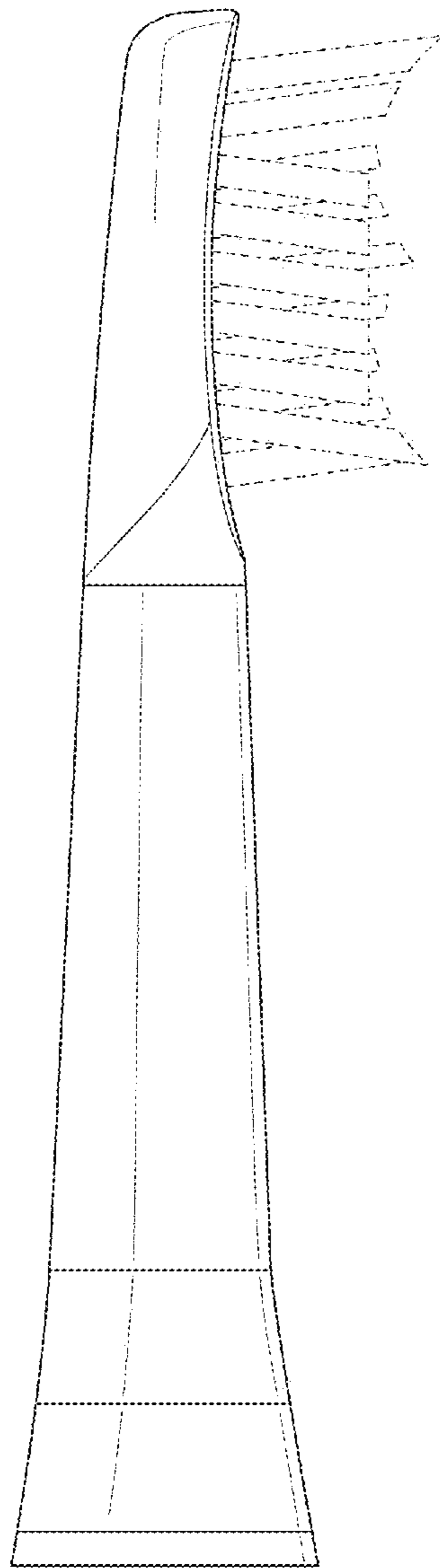


Fig. 3

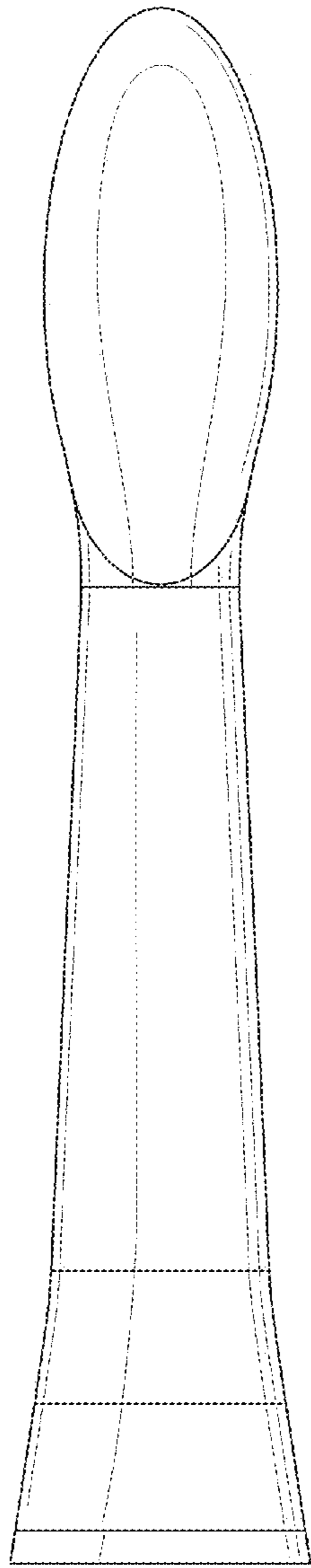


Fig. 4

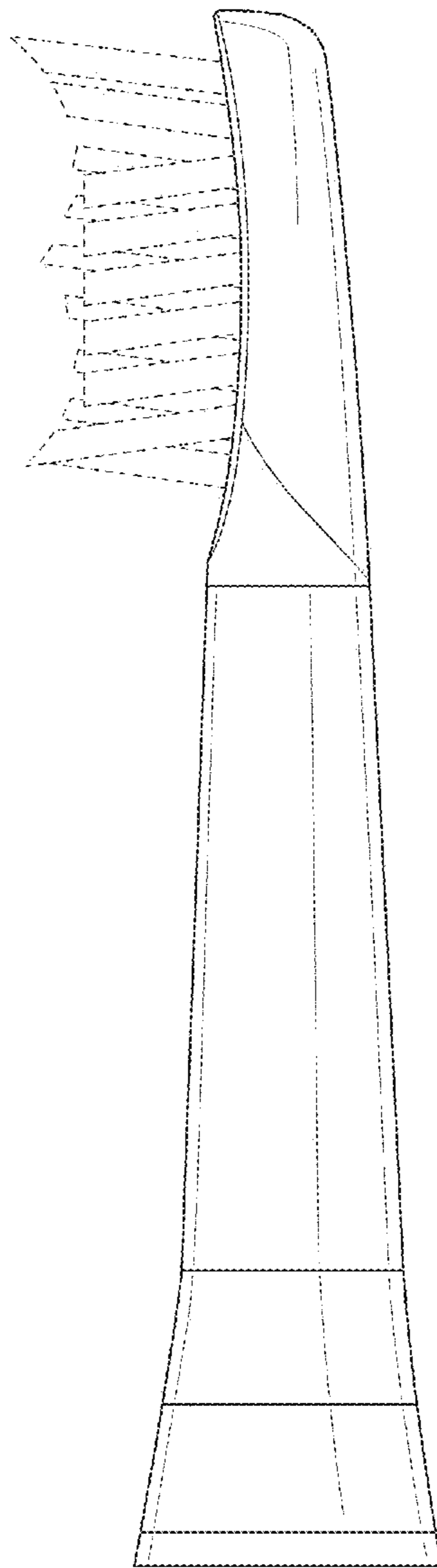


Fig. 5

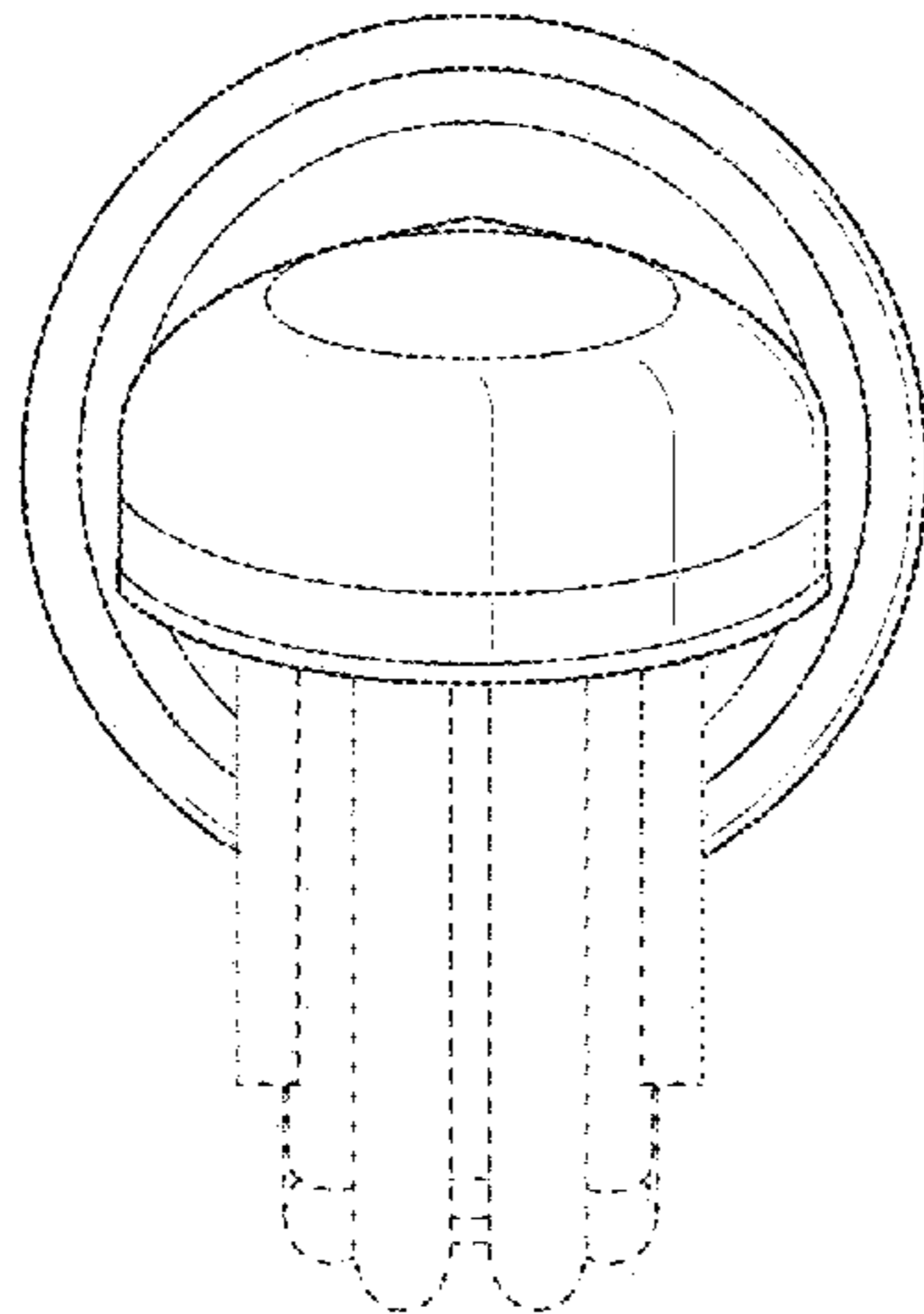


Fig. 6