



US00D669685S

(12) **United States Design Patent**
Legreca et al.

(10) **Patent No.:** **US D669,685 S**

(45) **Date of Patent:** **** Oct. 30, 2012**

(54) **WOOD TRAY**

(75) Inventors: **Carl Legreca**, Cliffside Park, NJ (US);
Lydia Irwin, New York, NY (US)

(73) Assignee: **Crosscill Home LLC**, New York, NY
(US)

(**) Term: **14 Years**

(21) Appl. No.: **29/408,196**

(22) Filed: **Dec. 8, 2011**

(51) **LOC (9) Cl.** **03-01**

(52) **U.S. Cl.** **D3/304**

(58) **Field of Classification Search** D7/396.1,
D7/500, 550.1, 552.1, 543, 545-546, 553.1-553.3,
D7/554.3-554.4, 560-561, 601-602; D3/304,
D3/314-315; 220/547-575, 657; 211/14,
211/41.7; 206/557

See application file for complete search history.

(56) **References Cited**

U.S. PATENT DOCUMENTS

D146,470	S	*	3/1947	Fresco	D19/77
2,744,624	A	*	5/1956	Hoogstoel et al.	206/426
2,975,089	A	*	3/1961	Hargreaves	428/168
D245,700	S	*	9/1977	Ozimec	D6/476
D312,125	S	*	11/1990	Epner et al.	D23/386
5,105,725	A	*	4/1992	Haglund	99/446
D332,708	S	*	1/1993	Schmidt et al.	D6/407
D336,752	S	*	6/1993	Lattimer	D19/90
D340,835	S	*	11/1993	Lupa et al.	D7/409
D391,719	S	*	3/1998	Anderson	D32/58
D401,451	S	*	11/1998	Sherman	D6/467
D402,137	S	*	12/1998	Blazevich	D6/467

(Continued)

Primary Examiner — Kelley Donnelly

(74) *Attorney, Agent, or Firm* — Buchanan Ingersoll & Rooney PC

(57) **CLAIM**

The ornamental design for a wood tray, as shown and described.

DESCRIPTION

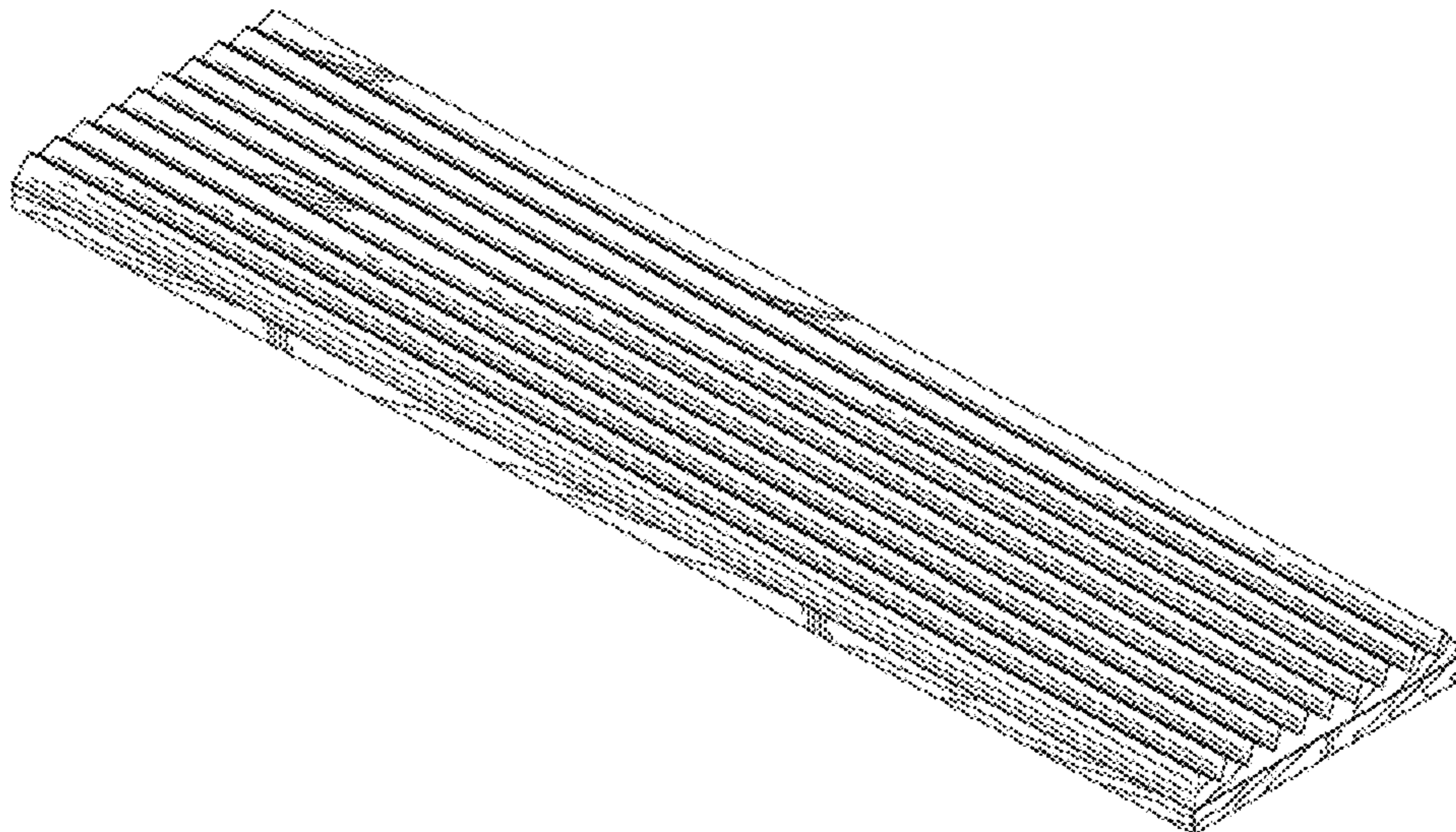
FIG. 1 is a perspective view of a wood tray of the invention; FIG. 2 is a top plan view of a wood tray of the invention; FIG. 3 is a bottom plan view of a wood tray of the invention; FIG. 4 is a left side view thereof, with the right side being a mirror image thereof; and FIG. 5 is a front view thereof, with the back view being a mirror image thereof;

FIG. 6 shows a perspective view of a tray of the invention in the context of use with a tumbler and a lotion dispenser of complementary design; FIG. 7 shows a perspective view of the tray of FIG. 6 with the tumbler and dispenser having been removed.

FIG. 8 is a perspective view of a second embodiment of a wood tray of the invention; FIG. 9 is a top plan view of that embodiment; FIG. 10 is a bottom plan view of that embodiment; FIG. 11 is a left side view thereof, with the right side being a mirror image thereof; and FIG. 12 is a front view thereof, with the back view being a mirror image thereof;

FIG. 13 is a perspective view of a third embodiment of a wood tray of the invention; FIG. 14 is a top plan view of a wood tray of the third embodiment; FIG. 15 is a bottom plan view of a wood tray of the third embodiment; FIG. 16 is a left side view of the third embodiment, with the right side being a mirror image thereof; and, FIG. 17 is a front view of the third embodiment, with the back view being a mirror image thereof.

1 Claim, 11 Drawing Sheets



US D669,685 S

Page 2

U.S. PATENT DOCUMENTS

D414,074 S *	9/1999	Jalayer	D7/402	D588,399 S *	3/2009	Vrbaneck	D7/359
D483,605 S *	12/2003	Gronda	D7/359	D593,805 S *	6/2009	Klimecki	D7/561
D519,781 S *	5/2006	Carlson	D7/409	D610,405 S *	2/2010	McConnell	D7/409
D549,458 S *	8/2007	Krahl et al.	D3/315	D639,112 S *	6/2011	Johnston	D7/408
D551,263 S *	9/2007	Becke	D15/89	2003/0022052 A1 *	1/2003	Kearl	429/34
D579,719 S *	11/2008	King et al.	D7/409	2007/0125357 A1 *	6/2007	Johnston	126/41 R

* cited by examiner

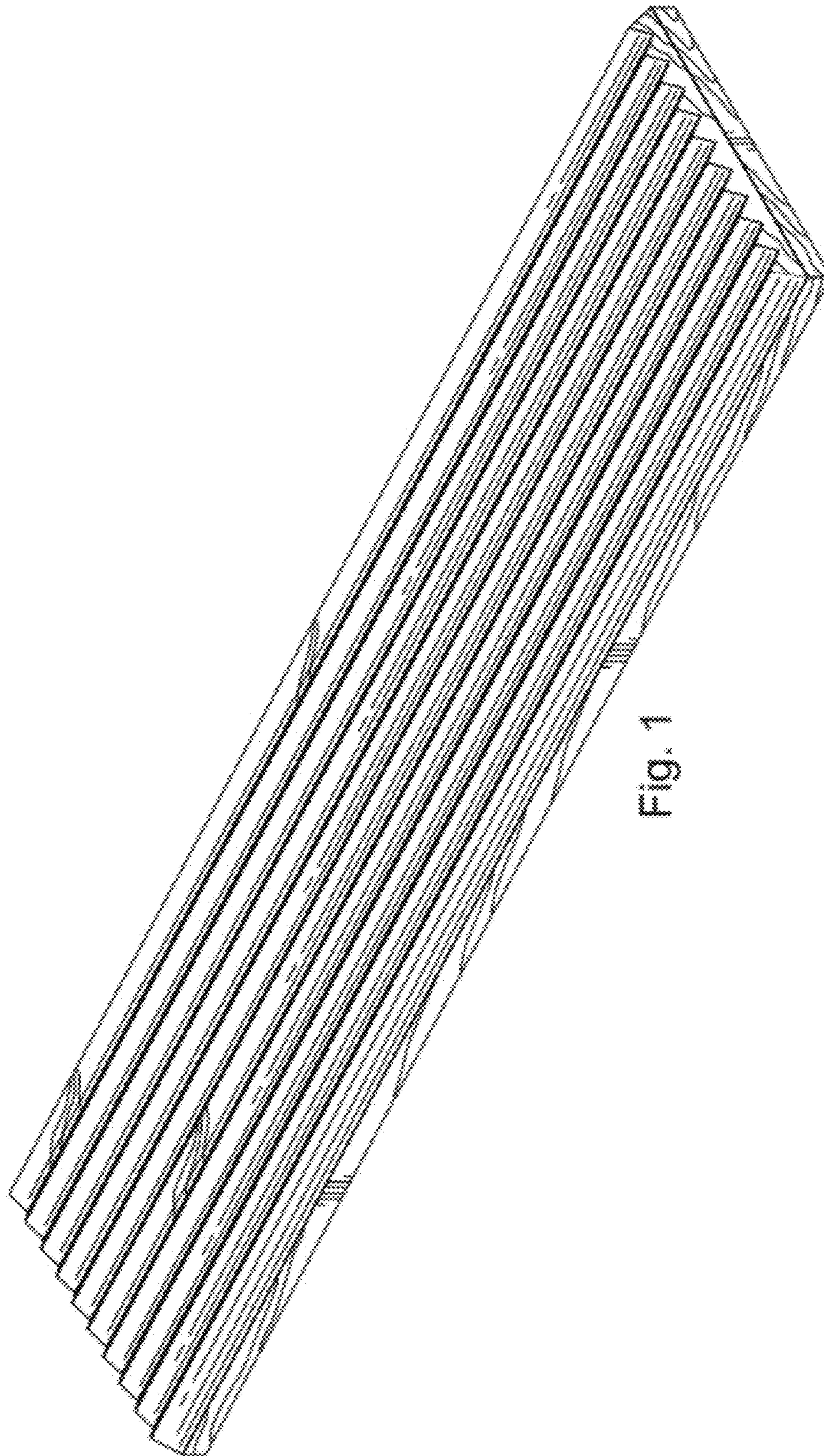


Fig. 1

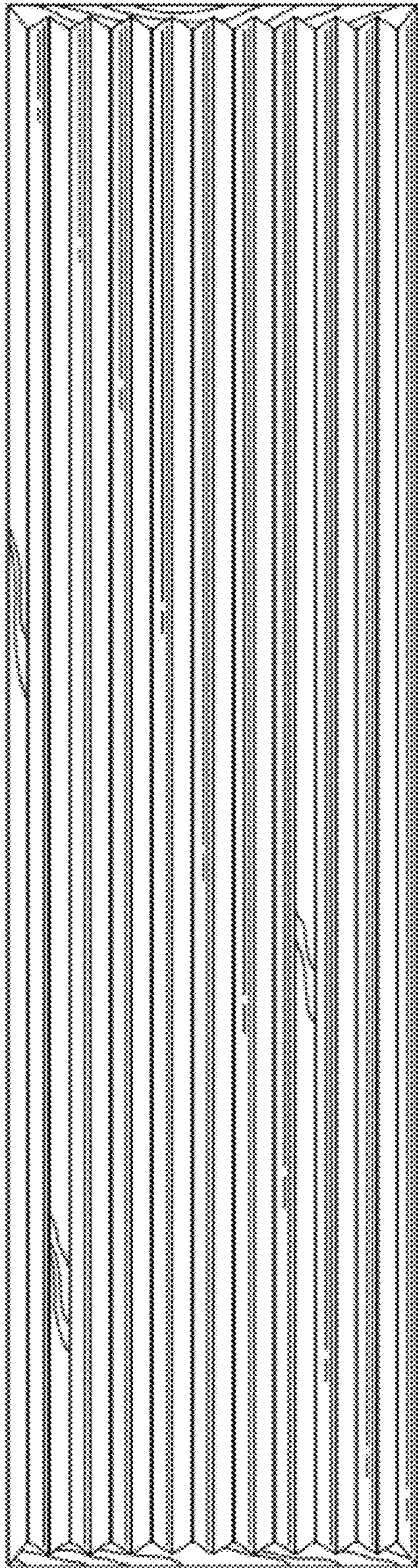


Fig. 2

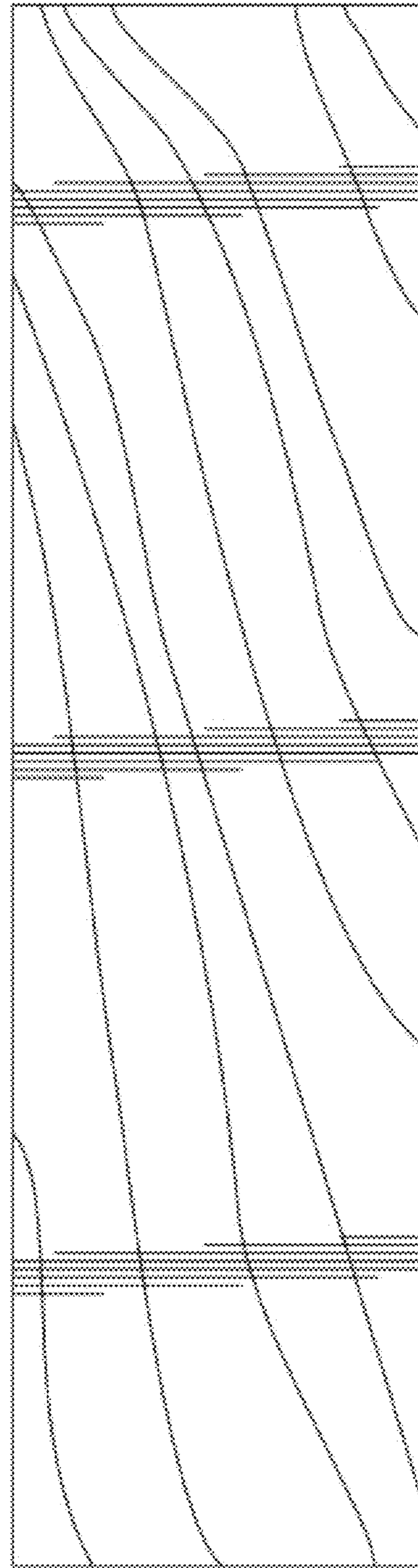


Fig. 3



Fig. 4

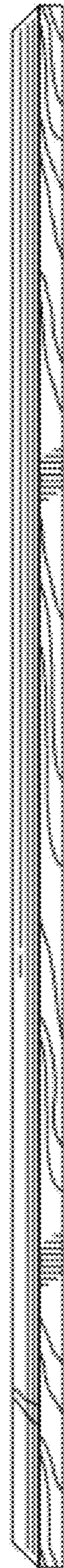


Fig. 5

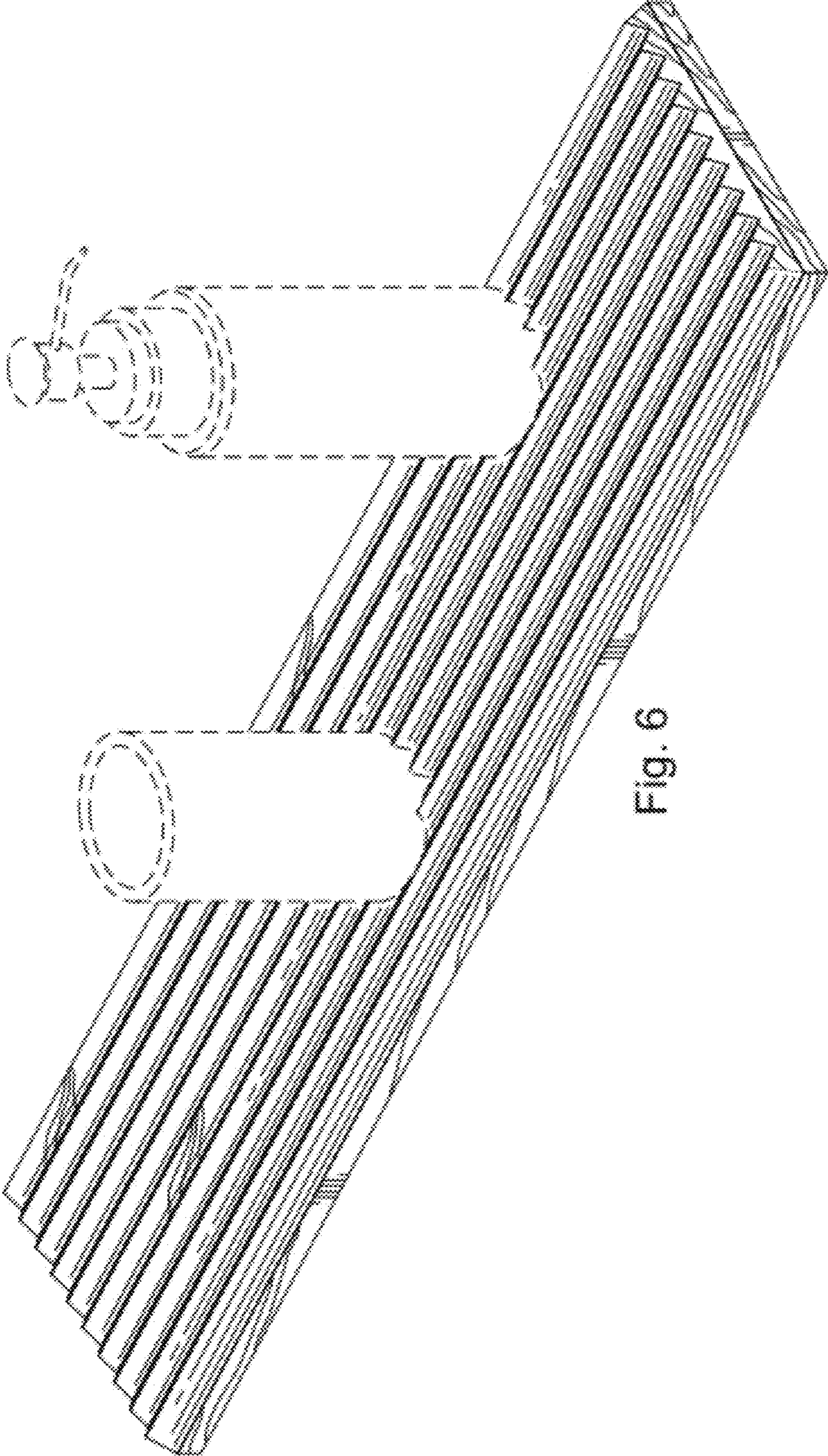


Fig. 6

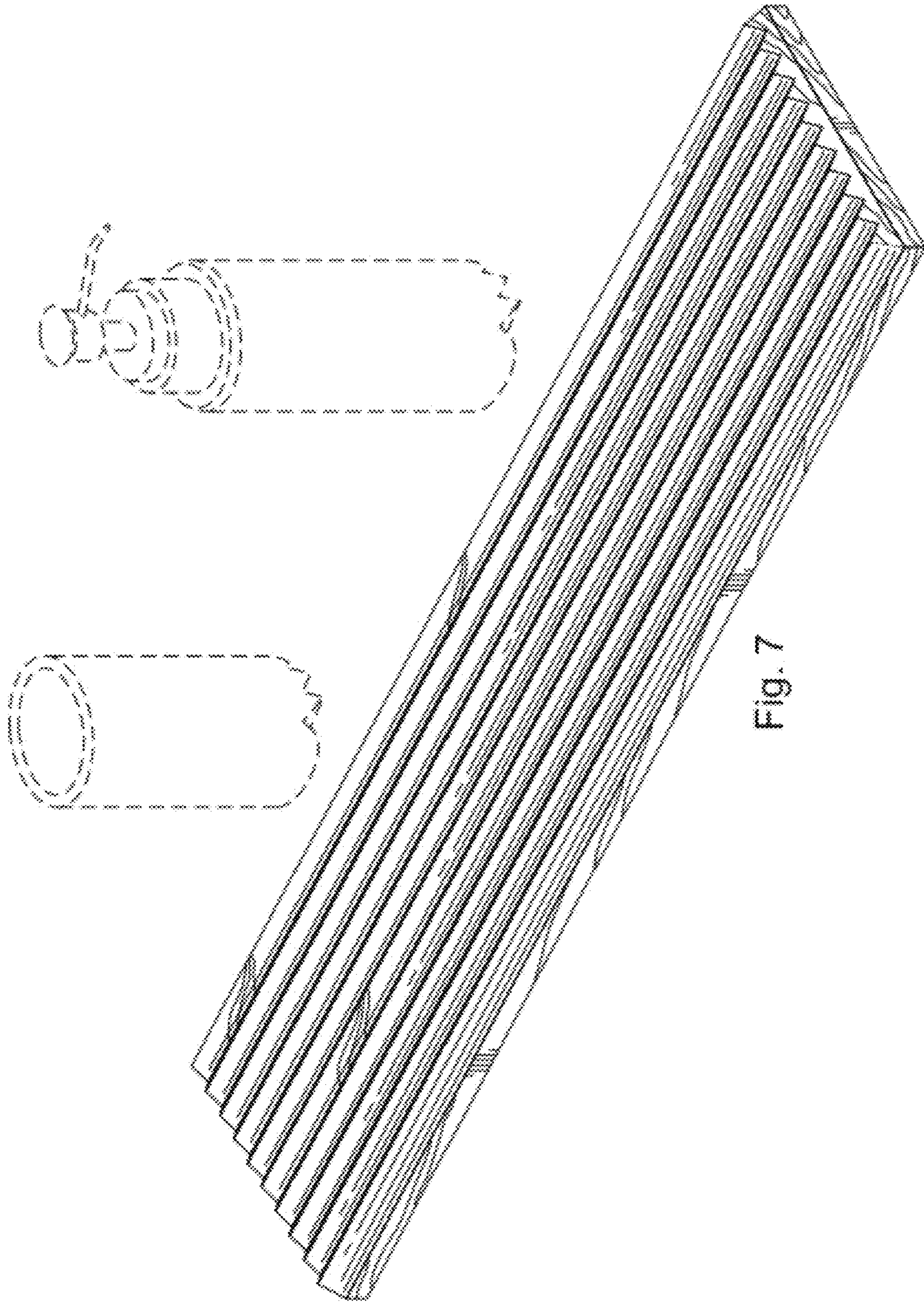


Fig. 7

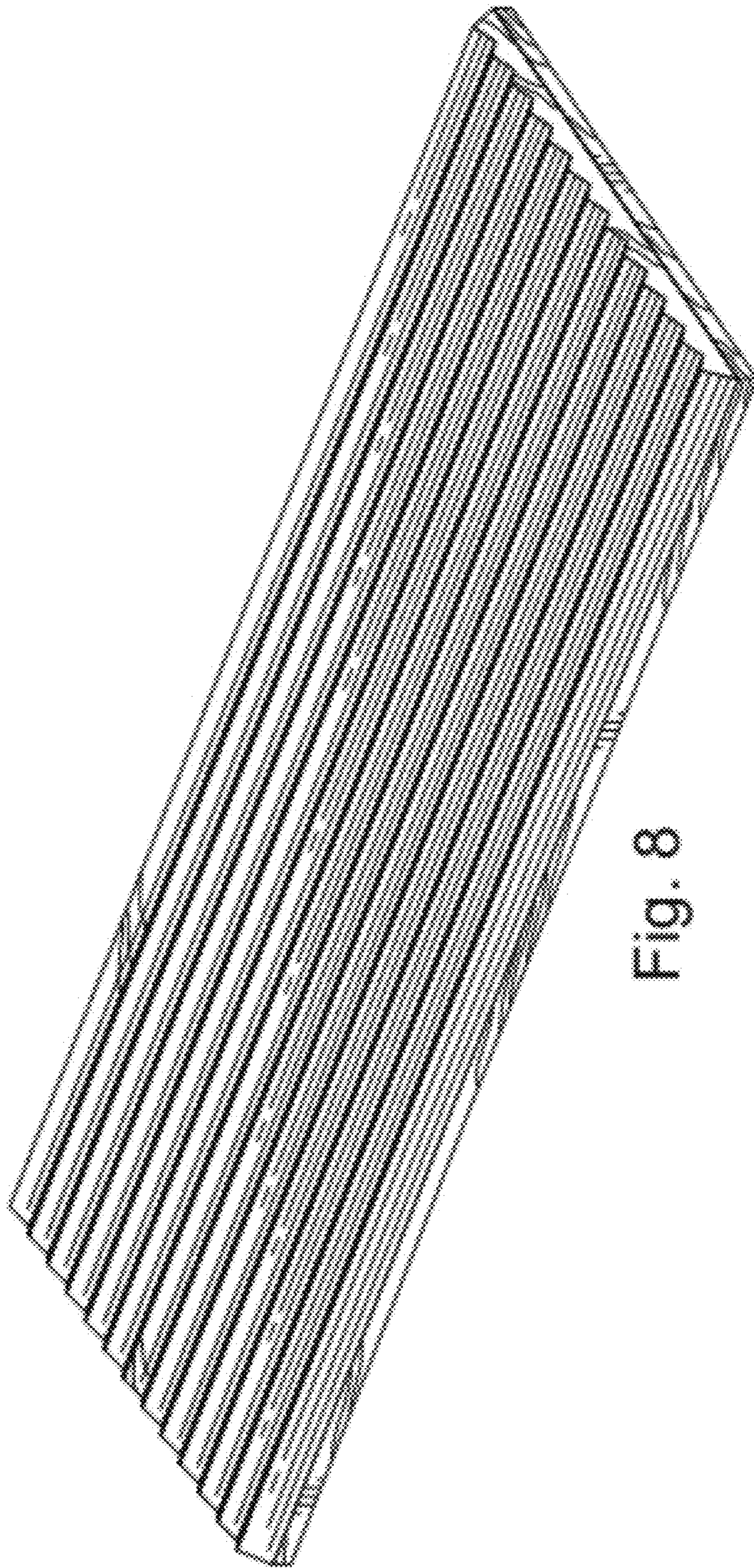


Fig. 8

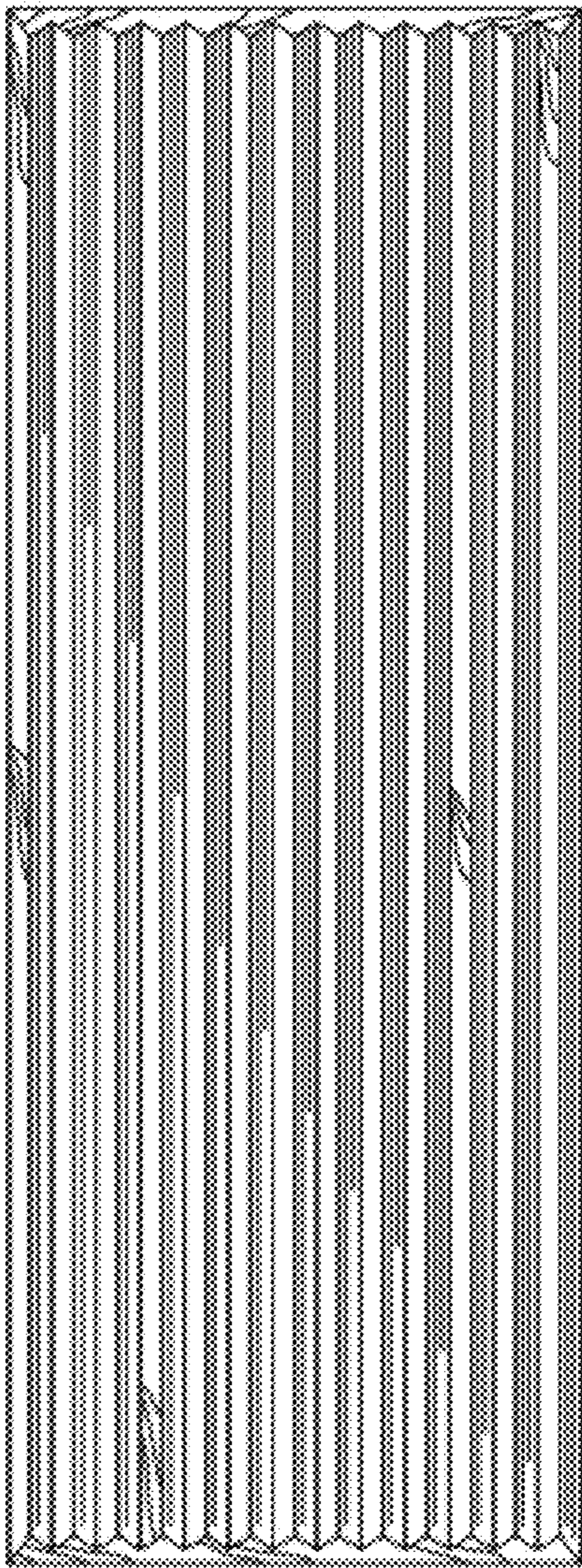


Fig. 9

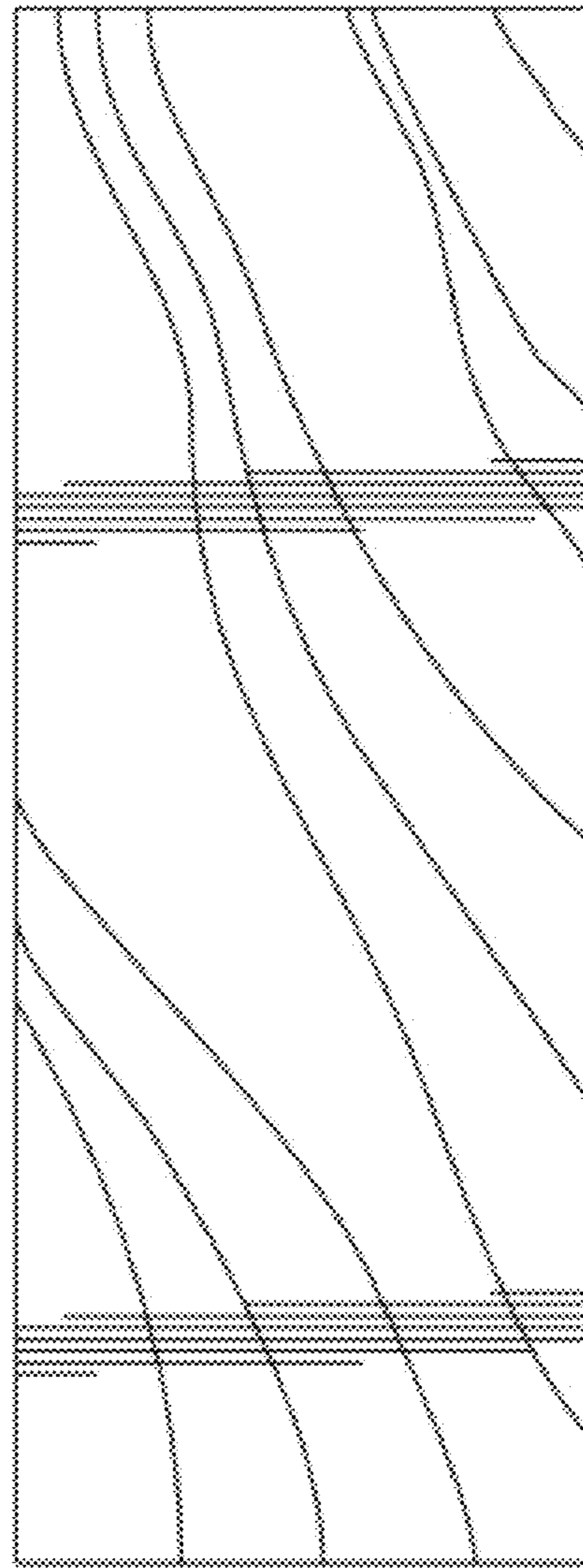


Fig. 10

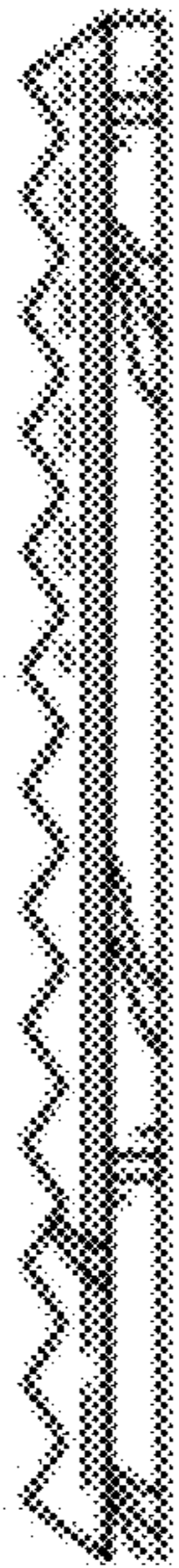


Fig. 11



Fig. 12

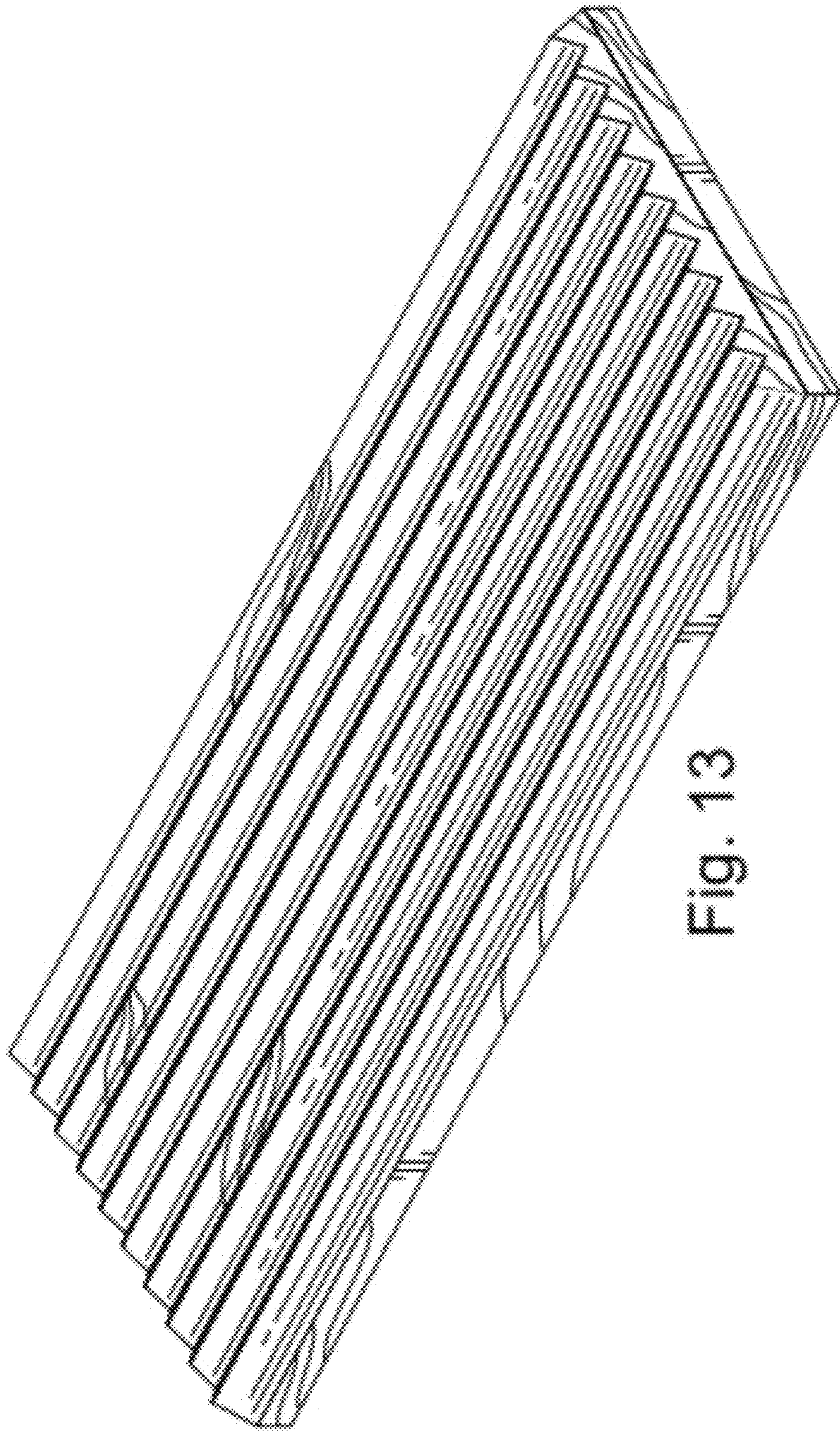


Fig. 13

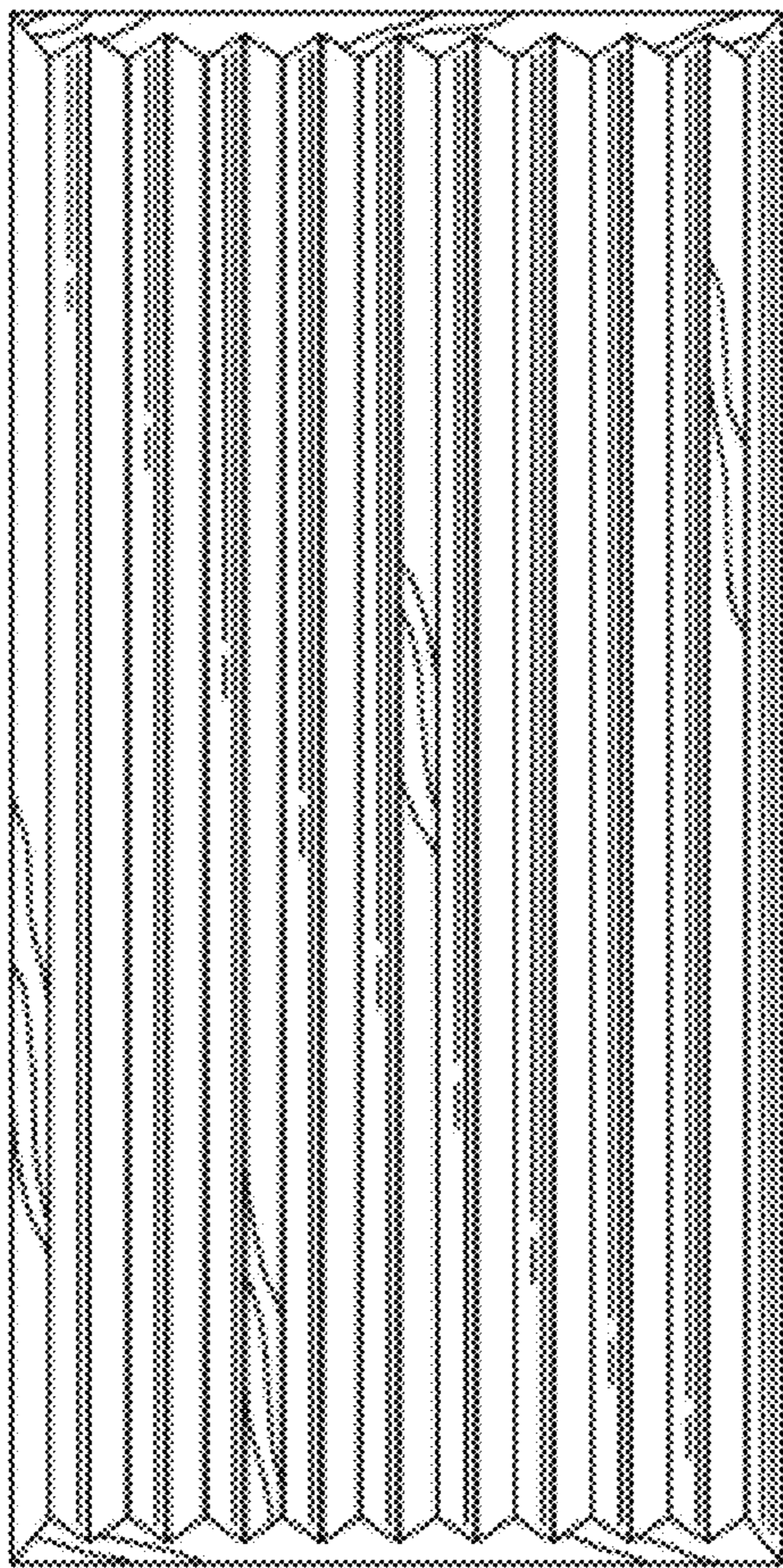


Fig. 14

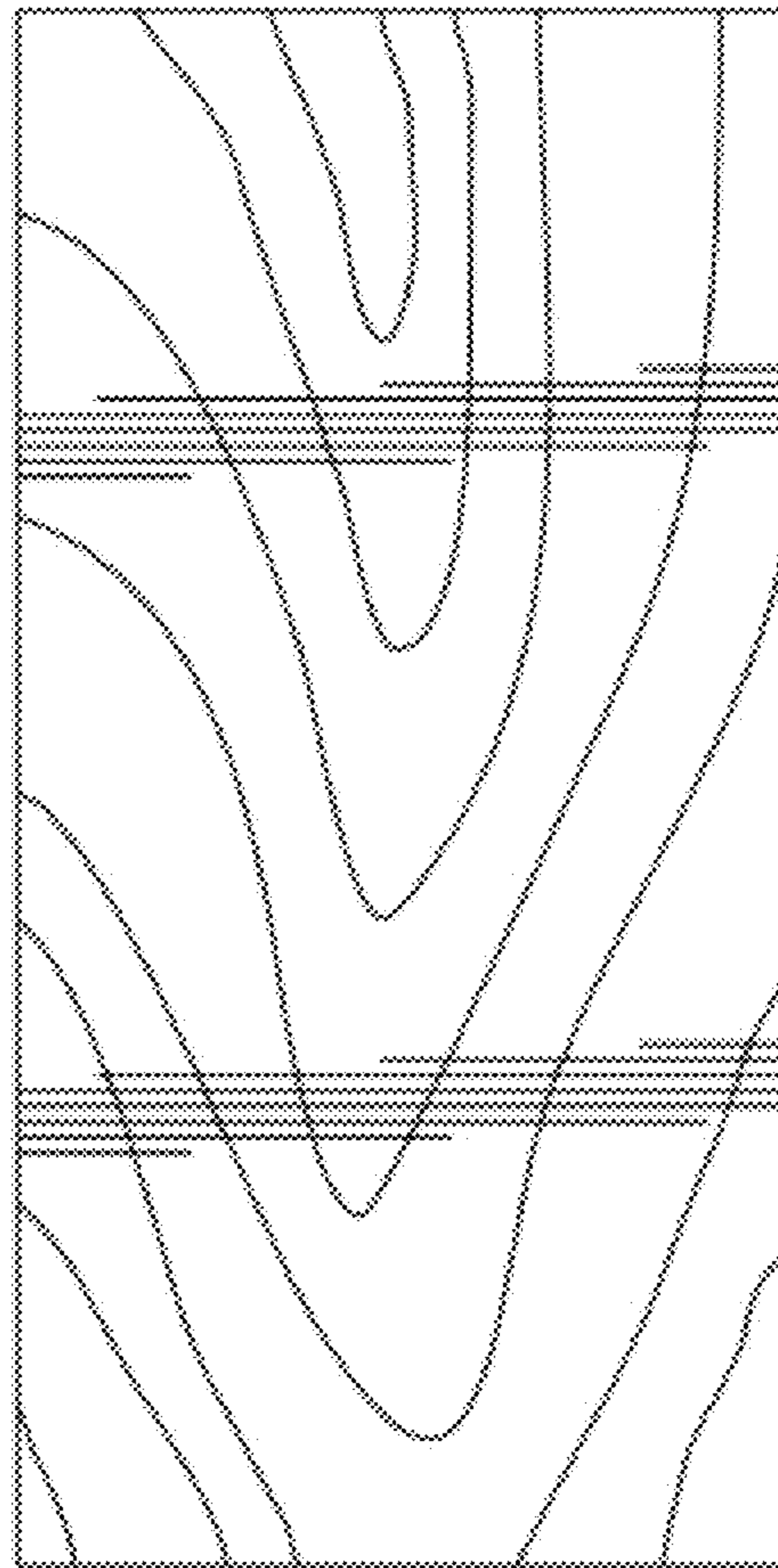


Fig. 15



Fig. 17

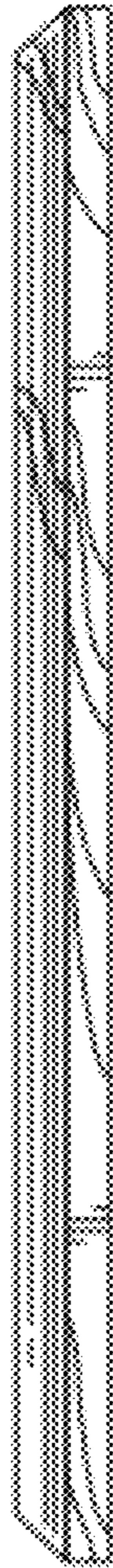


Fig. 16